



US00D879528S

(12) **United States Design Patent**  
**Pepper**

(10) **Patent No.:** **US D879,528 S**

(45) **Date of Patent:** **\*\* Mar. 31, 2020**

(54) **FOLDABLE REUSABLE DRINKING STRAW**

(71) Applicant: **THE FINAL CO. LLC**, Santa Fe, NM (US)

(72) Inventor: **Miles Pepper**, Los Angeles, CA (US)

(73) Assignee: **THE FINAL CO. LLC**, Santa Fe, NM (US)

(\*\*) Term: **15 Years**

(21) Appl. No.: **29/686,521**

(22) Filed: **Apr. 4, 2019**

**Related U.S. Application Data**

(62) Division of application No. 29/648,754, filed on May 23, 2018, now Pat. No. Des. 853,164.

(51) **LOC (12) Cl.** ..... **07-06**

(52) **U.S. Cl.**  
USPC ..... **D7/300.2**

(58) **Field of Classification Search**  
USPC ..... D7/300, 300.2, 301, 635; D23/207; D27/101  
CPC ..... A47G 21/18; A61J 7/0038; B65D 2517/0049  
See application file for complete search history.

(56) **References Cited**

**U.S. PATENT DOCUMENTS**

942,306 A 12/1909 Clark  
2,815,981 A 12/1957 Nonnamaker  
3,025,004 A 3/1962 Levi

(Continued)

**FOREIGN PATENT DOCUMENTS**

JP 2008-99857 A 5/2008  
JP 2014-155524 A ‡ 8/2014

(Continued)

**OTHER PUBLICATIONS**

Amazon.com, FinalStraw—Original—Patented—Real Simple, Shark Tank, Kickstarter, Publication date Mar. 2019, [site visited May 7, 2019], Available on the Internet URL [https://www.amazon.com/dp/B07KRRGPV4/ref=psdc\\_16439911\\_t1\\_B07KT8XBSS](https://www.amazon.com/dp/B07KRRGPV4/ref=psdc_16439911_t1_B07KT8XBSS) (Year: 2019).\*

(Continued)

*Primary Examiner* — Karen S Acker

*Assistant Examiner* — Steven B Reinholdt, Jr.

(74) *Attorney, Agent, or Firm* — Marshall, Gerstein & Borun LLP

(57) **CLAIM**

The ornamental design for a foldable reusable drinking straw, as shown and described.

**DESCRIPTION**

FIG. 1 is a top, front, right side perspective view of a foldable reusable drinking straw with the end tips in broken lines, showing my new design;

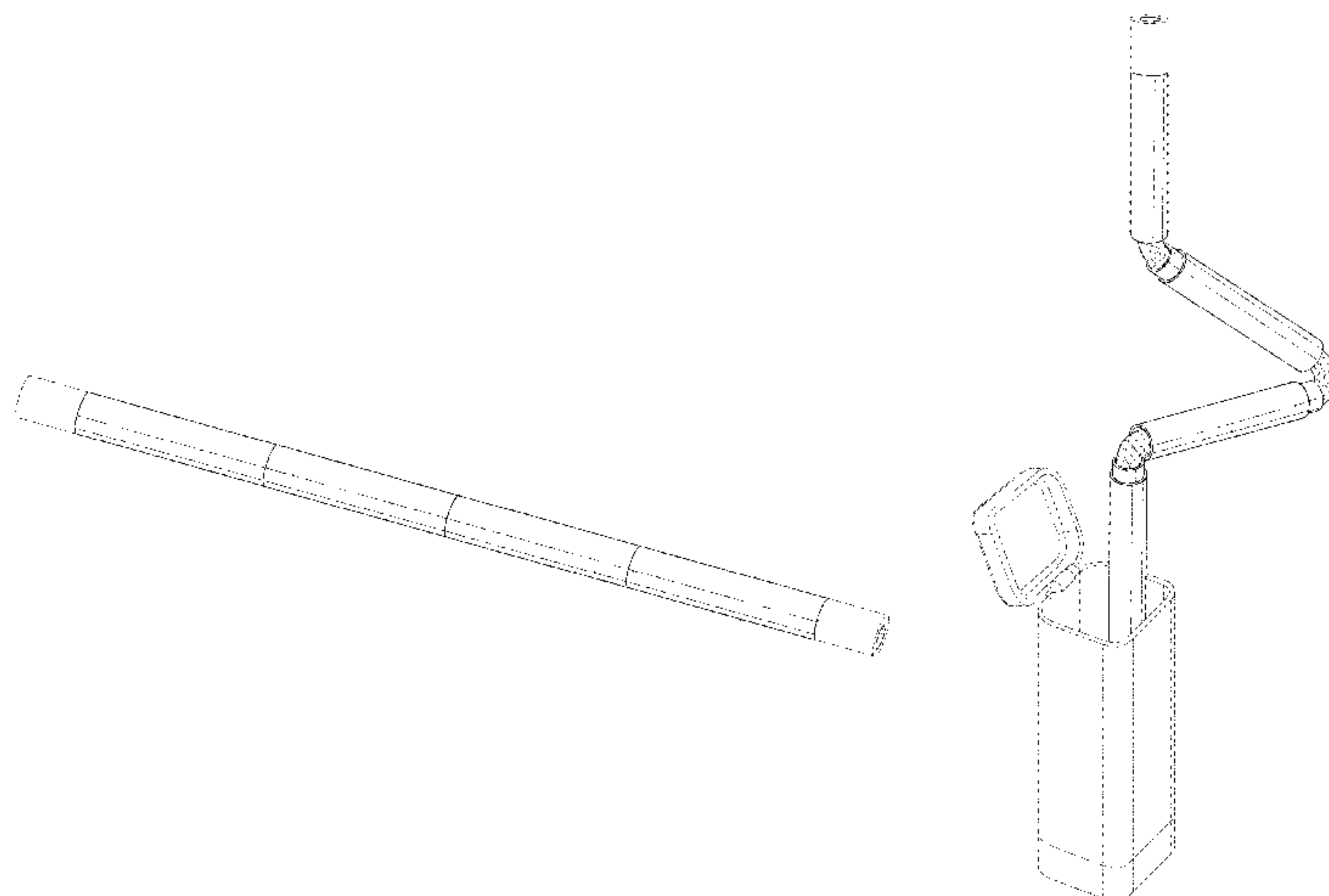
FIG. 2 is a right side elevational view of the straw of FIG. 1, the left side elevational view being a mirror image thereof;

FIG. 3 is a cross sectional view along lines 3-3 of FIG. 4; FIG. 4 is a front end elevational view of the straw of FIG. 1;

FIG. 5 is a rear end elevational view of the straw of FIG. 1; and,

FIG. 6 is a top, front, right side perspective view of the straw of FIG. 1 partially folded with a storage case in broken lines. The broken lines in the figures depict portions of the foldable reusable drinking straw that form no part of the claimed design. The broken lines in FIG. 6 illustrate the environment of a storage case that forms no part of the claimed design.

**1 Claim, 3 Drawing Sheets**



(56)

References Cited

U.S. PATENT DOCUMENTS

3,615,595 A \* 10/1971 Gutttag ..... D05B 27/10  
112/322

3,776,458 A 12/1973 Chunga, Sr.  
4,109,817 A 8/1978 Payne  
4,340,175 A 7/1982 Danek  
4,850,533 A ‡ 7/1989 Hoshi et al. .... A47G 21/189  
239/33

4,930,652 A 6/1990 Murphy  
5,094,861 A \* 3/1992 D'Auguste ..... F24F 13/15  
49/51

5,172,827 A 12/1992 Chang  
5,201,460 A \* 4/1993 Caines ..... F23N 1/022  
122/5.51

5,482,202 A \* 1/1996 Wen ..... B65D 77/283  
220/705

D371,269 S ‡ 7/1996 Shattuck ..... D7/300.2  
5,727,734 A 3/1998 Su  
D408,886 S ‡ 4/1999 Matyushin ..... D23/207  
6,283,294 B1 \* 9/2001 Thorball ..... B62C 5/02  
278/89

6,460,777 B2 \* 10/2002 Float ..... B62C 5/04  
278/92

6,676,032 B2 ‡ 1/2004 Banach ..... A47G 21/18  
239/24

D487,375 S ‡ 3/2004 Bengtsson ..... D7/300.2  
7,093,868 B1 8/2006 Shen  
D575,570 S ‡ 8/2008 Antonelli ..... D7/300.2  
D602,726 S ‡ 10/2009 Baron ..... D7/300.2  
D614,346 S \* 4/2010 Lik ..... E21B 10/28  
175/335

7,753,284 B1 \* 7/2010 Raitses ..... F16L 3/00  
126/318

7,823,802 B1 ‡ 11/2010 Roche ..... B65D 75/5872  
239/16

D674,649 S ‡ 1/2013 Ludwig ..... D7/300.2  
8,459,484 B2 6/2013 Ravelo  
8,579,148 B2 11/2013 Slansky  
D719,388 S ‡ 12/2014 Ecseri ..... D7/300.2  
8,904,820 B2 12/2014 Chen  
D726,477 S ‡ 4/2015 Buck ..... D7/300.2  
D728,154 S \* 4/2015 Lavanchy ..... D27/100  
D749,884 S ‡ 2/2016 Martins ..... D24/224  
D755,440 S \* 5/2016 Collen ..... B65D 77/283  
220/705

D757,476 S ‡ 5/2016 O'Neill ..... D7/300.2  
D762,408 S ‡ 8/2016 Palazzi ..... D3/300.2  
D772,632 S ‡ 11/2016 Buck ..... D7/300.2  
D778,492 S \* 2/2017 Liu ..... D27/101  
D798,095 S ‡ 9/2017 Palazzi ..... D7/300.2  
D808,580 S \* 1/2018 Kwitel ..... D27/101  
D812,807 S \* 3/2018 Thuery ..... D27/101  
D813,445 S \* 3/2018 Scott ..... D27/101  
D815,479 S ‡ 4/2018 Scardino ..... D7/300.2  
D819,264 S \* 5/2018 Mykhaylovych ..... A47G 21/18  
239/33

D825,837 S \* 8/2018 Abroff ..... D27/101  
D825,838 S \* 8/2018 Abroff ..... D27/101  
D827,920 S \* 9/2018 Fornarelli ..... A47G 21/18  
239/33

D828,623 S \* 9/2018 Fornarelli ..... B65D 77/283  
220/705

D831,397 S ‡ 10/2018 Diorio ..... D7/300.2  
10,092,713 B2 \* 10/2018 Terry ..... F16L 3/00  
126/318

10,123,641 B1 11/2018 Pepper  
10,136,672 B2 \* 11/2018 Minskoff ..... E21B 10/28  
175/335

10,159,278 B2 \* 12/2018 Minskoff ..... B65D 25/54  
220/662

10,159,369 B2 ‡ 12/2018 MacDonald ..... A47G 21/187  
D841,231 S \* 2/2019 Hawes ..... B62C 5/04  
278/92

D844,221 S \* 3/2019 Tucker ..... D05B 27/10  
112/322

D846,327 S \* 4/2019 Peterson ..... F23N 1/022  
122/5.51

D847,568 S \* 5/2019 Hartnett ..... A47G 21/183  
220/705

D853,164 S 7/2019 Pepper  
D866,235 S 11/2019 Pepper  
2002/0030115 A1 3/2002 Float et al.  
2002/0088870 A1 ‡ 7/2002 Banach ..... A47G 21/18  
239/33

2006/0060556 A1 3/2006 Lee  
2006/0254604 A1 \* 11/2006 Martinez Fernandez .....  
B41L 47/46  
101/47

2008/0169356 A1 7/2008 Trejo  
2008/0197141 A1 \* 8/2008 Felfoldi ..... A47G 21/183  
220/705

2009/0283608 A1 ‡ 11/2009 Crawley ..... A47G 21/18  
239/33

2011/0057050 A1 3/2011 Shakur-Jenkins  
2012/0068487 A1 3/2012 Wong  
2012/0138622 A1 6/2012 Slansky  
2013/0270357 A1 ‡ 10/2013 Anderson ..... A47G 21/183  
239/33

2014/0231535 A1 ‡ 8/2014 Alotaibi ..... A47G 21/18  
239/33

2014/0246445 A1 9/2014 Lee et al.  
2014/0339325 A1 ‡ 11/2014 Williams ..... A47G 21/186  
239/33

2014/0339819 A1 ‡ 11/2014 Baker ..... F16L 27/12  
285/298

2015/0190004 A1 \* 7/2015 Chang ..... A47G 21/18  
239/33

2015/0313390 A1 11/2015 Russo  
2016/0051071 A1 \* 2/2016 Buck ..... A47G 21/187  
239/33

2016/0338406 A1 \* 11/2016 Liu ..... A24F 47/008  
2017/0013880 A1 \* 1/2017 O'Brien ..... A24F 47/008  
2017/0150754 A1 \* 6/2017 Lin ..... A47G 21/183  
220/705

2018/0235390 A1 \* 8/2018 Lehmann ..... A47G 21/18  
2019/0059624 A1 \* 2/2019 Kazmierczak, III .... B41L 47/46  
101/47

2019/0069701 A1 \* 3/2019 O'Neill ..... B62C 5/02  
278/89

2019/0082815 A1 \* 3/2019 Chen ..... F24F 13/15  
49/51

2019/0099025 A1 \* 4/2019 Rieger ..... B23P 19/002  
221/165

2019/0307274 A1 \* 10/2019 Hsu ..... B31C 3/04  
2019/0313820 A1 \* 10/2019 Pepper ..... B08B 9/0436

FOREIGN PATENT DOCUMENTS

KR 20090098400 ‡ 9/2009  
KR 20090108259 10/2009  
KR 20090108259 A ‡ 10/2009  
KR 2010028648 ‡ 12/2010  
KR 20100128648 12/2010  
KR 20130091922 A 8/2013

OTHER PUBLICATIONS

Amazon.com, Collapsible straw by Divine Domicile, Publication date Mar. 2019, [site visited Mar. 6, 2019], Available on the Internet URL [https://www.amazon.com/collapsible-straw-Divine-Domicile-stainless/dp/B07R1Y8JD2/ref=sr\\_1\\_fmnull\\_1?keywords=straw%2Bdivine%2Bdomicile&qid=1557249520&s=gat](https://www.amazon.com/collapsible-straw-Divine-Domicile-stainless/dp/B07R1Y8JD2/ref=sr_1_fmnull_1?keywords=straw%2Bdivine%2Bdomicile&qid=1557249520&s=gat) (Year: 2019).\*

FinalStraw.com, FinalStraw, Earliest publication date Aug. 2018 from Internet Archive, [site visited May 7, 2019], Available on the Internet URL <https://web.archive.org/web/20180803173948/https://finalstraw.com/> (Year: 2018).\*

Alibaba.com, Everich collapsible stainless steel straw, Publication date unknown, [site visited May 7, 2019], Available on the Internet



(56)

**References Cited**

## OTHER PUBLICATIONS

URL [https://www.alibaba.com/product-detail/collapsible-stainless-steel-304-silicone-straw\\_62016062697.html?spm=a2700.galleryofferlist.normalList.124.6e7cf7eawdAoIW](https://www.alibaba.com/product-detail/collapsible-stainless-steel-304-silicone-straw_62016062697.html?spm=a2700.galleryofferlist.normalList.124.6e7cf7eawdAoIW) (Year: 2019).\*

U.S. Appl. No. 16/186,560, dated Nov. 2018.‡

U.S. Appl. No. 29/654,245, dated Jun. 2018.‡

U.S. Appl. No. 29/661,212, dated Aug. 2018.‡

U.S. Appl. No. 29/664,367, dated Sep. 2018.‡

U.S. Appl. No. 29/665,794, dated Oct. 2018.‡

Amazon.com, Hydream straw1 Collapsible Reusable Stainless Steel. Publication date Aug. 20, 2018, [site visited Jan. 29, 2019], Available on the Internet URL [https://www.amazon.com/Hydream-Collapsible-Reusable-Stainless-Food-Grade/dp/B07GNZKKDK/ref=cm\\_cr\\_ar\\_p\\_d\\_product\\_top?ie=UTF8](https://www.amazon.com/Hydream-Collapsible-Reusable-Stainless-Food-Grade/dp/B07GNZKKDK/ref=cm_cr_ar_p_d_product_top?ie=UTF8).‡

Walmart.com, Collapsible Reusable Straws with Case Holder, Publication date unknown, [site visited Jan. 29, 2019], Available on the Internet URL [https://www.walmart.com/ip/Collapsible-Reusable-Straws-Case-Holder-Keychain-Portable-Collapsible-Foldable-Stainless-Steel-Smoothie-Drinking-Metal-](https://www.walmart.com/ip/Collapsible-Reusable-Straws-Case-Holder-Keychain-Portable-Collapsible-Foldable-Stainless-Steel-Smoothie-Drinking-Metal-.).‡

U.S. Appl. No. 16/186,560, filed Nov. 2018, Pepper, Miles.

U.S. Appl. No. 29/665,794, filed Oct. 2018, Pepper, Miles.

U.S. Appl. No. 29/664,367, filed Sep. 2018, Pepper, Miles.

U.S. Appl. No. 29/661,212, filed Aug. 2018, Pepper, Miles.

U.S. Appl. No. 29/654,245, filed Jun. 2018, Pepper, Miles.

U.S. Appl. No. 29/648,754, filed May 2018, Pepper, Miles.

U.S. Appl. No. 29/701,902, filed Aug. 15, 2019, Pepper, Miles.

Amazon.com, Hydreann straw1 Collapsible Reusable Stainless Steel, Publication date Aug. 20, 2018, [site visited Jan. 29, 2019], Available on the Internet URL [https://www.annazon.com/Hydreann-Collapsible-Reusable-Stainless-Food-Grade/dp/B07GNZKKDK/\\_ref=cnn\\_cr\\_ar\\_p\\_d\\_product\\_top?ie=UTF8](https://www.annazon.com/Hydreann-Collapsible-Reusable-Stainless-Food-Grade/dp/B07GNZKKDK/_ref=cnn_cr_ar_p_d_product_top?ie=UTF8).

International Search Report for PCT/US18/35621 dated Aug. 29, 2018.

Walmart.com, Collapsible Reusable Straws with Case Holder, Publication date unknown, [site visited Jan. 29, 2019], Available on the Internet URL [https://www.walmart.com/ip/\\_Collapsible-Reusable-Straws-Case-Holder-Keychain-Portable-Collapsible-Foldable-Stainless-Steel-Smoothie-Drinking-Metal-Tunnb\\_ler-Straws-Cleaning-Brus](https://www.walmart.com/ip/_Collapsible-Reusable-Straws-Case-Holder-Keychain-Portable-Collapsible-Foldable-Stainless-Steel-Smoothie-Drinking-Metal-Tunnb_ler-Straws-Cleaning-Brus).

\* cited by examiner

‡ imported from a related application

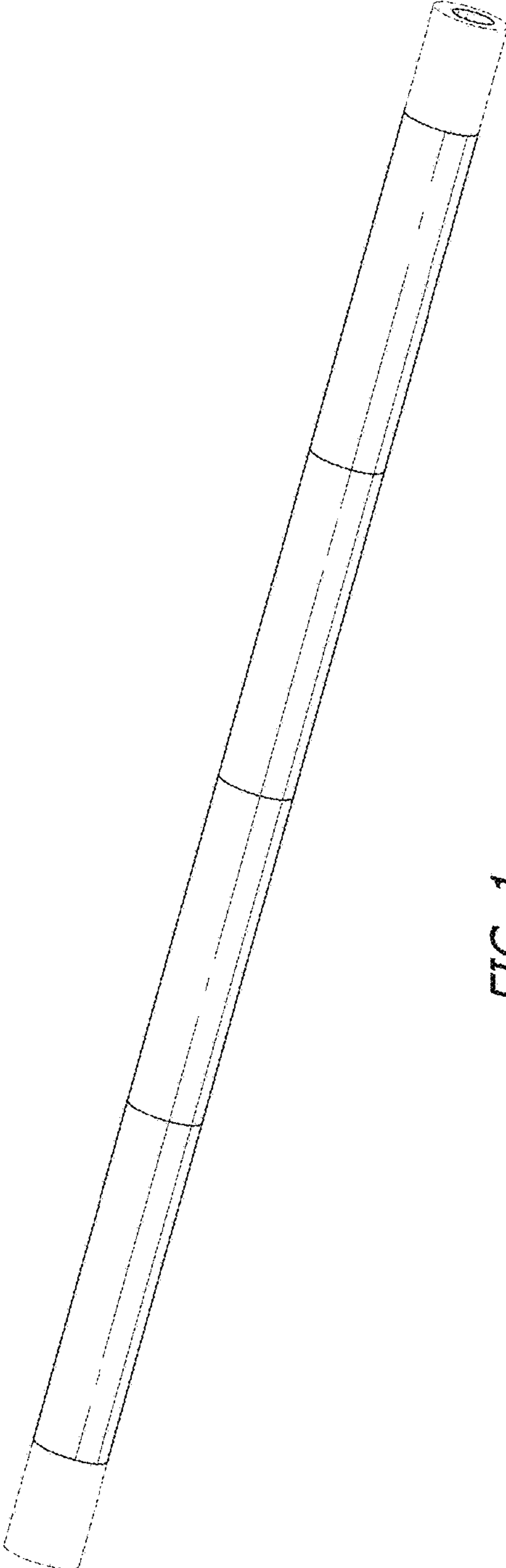


FIG. 1

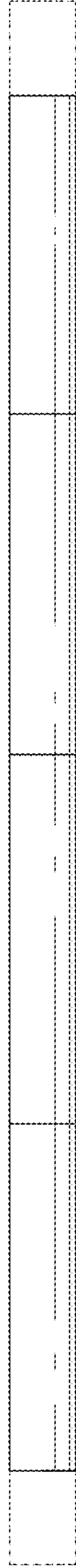


FIG. 2



FIG. 3

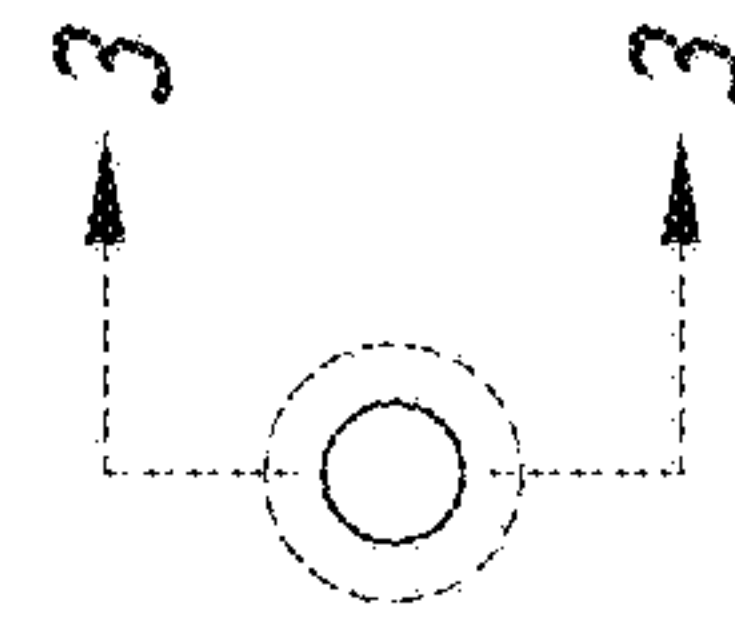


FIG. 4



FIG. 5

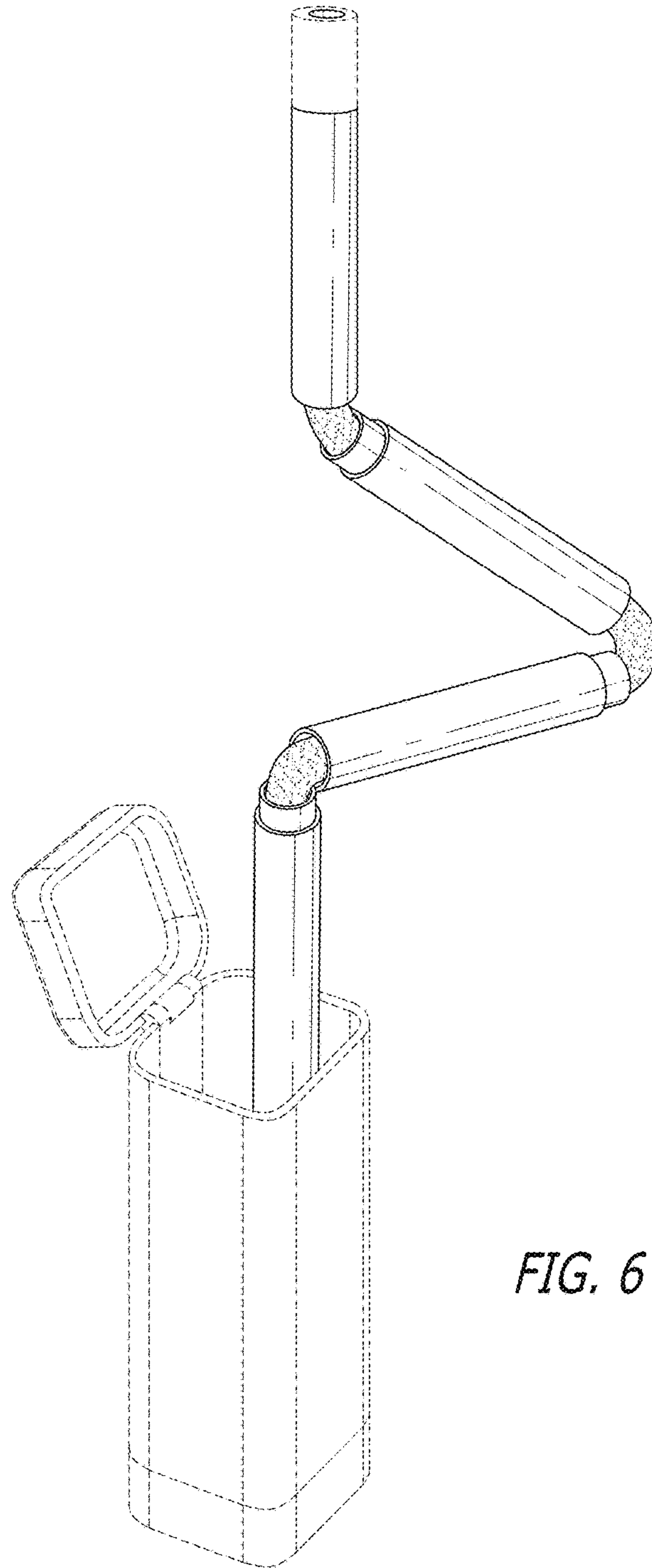


FIG. 6