



US00D879527S

(12) **United States Design Patent**
Zhang

(10) **Patent No.:** **US D879,527 S**

(45) **Date of Patent:** **** Mar. 31, 2020**

(54) **QUICK RELEASE HAMMOCK FRAME**

(71) Applicant: **VIVERE LTD.**, Guelph (CA)

(72) Inventor: **Tianxiao Zhang**, Taizhou (CN)

(73) Assignee: **VIVERE LTD.**, Guelph (CA)

(**) Term: **15 Years**

(21) Appl. No.: **29/624,210**

(22) Filed: **Oct. 31, 2017**

(51) **LOC (12) Cl.** **06-06**

(52) **U.S. Cl.**

USPC **D6/718.11**; D8/367

(58) **Field of Classification Search**

USPC D8/394, 396, 382, 383, 354, 349, 367,
D8/71, 72; D6/386, 387, 702, 718.1,
D6/718.11, 718.12

CPC A45F 3/22; A45F 3/24; A47G 1/21; F16B
2/02; F16B 2/04; F16B 2/06; F16B 2/10;
F16B 45/00; F16L 3/13; Y10T 24/4501

See application file for complete search history.

(56) **References Cited**

U.S. PATENT DOCUMENTS

D54,065	S	*	11/1919	Cook	D13/120
1,427,736	A	*	8/1922	Hendricks	F16B 45/00 24/684
D238,036	S	*	12/1975	Entin	D11/148
3,996,649	A	*	12/1976	Podd	F16B 45/00 24/598.1
4,059,872	A	*	11/1977	Delesandri	F16L 3/1008 24/279
4,252,289	A	*	2/1981	Herb	F16L 3/11 248/62
D266,124	S	*	9/1982	Stankewich	D8/367
D301,974	S	*	7/1989	Carlson	D8/367
D323,614	S	*	2/1992	Bell	D8/373
5,170,538	A	*	12/1992	Zarembo	F16G 11/02 24/115 R

D395,000	S	*	6/1998	Bartz, Jr.	D8/382
D458,045	S	*	6/2002	Tseng	D6/387
D685,315	S	*	7/2013	Hayes	D12/415
8,776,810	B2	*	7/2014	Lah	A45B 9/00 135/65
D738,100	S	*	9/2015	Forthuber	D3/10
9,194,407	B1	*	11/2015	Straney	F16B 2/06
D766,711	S	*	9/2016	Babbage	D8/394

(Continued)

Primary Examiner — Sandra S Snapp

Assistant Examiner — leisha N Price

(74) *Attorney, Agent, or Firm* — Hodgson Russ LLP

(57) **CLAIM**

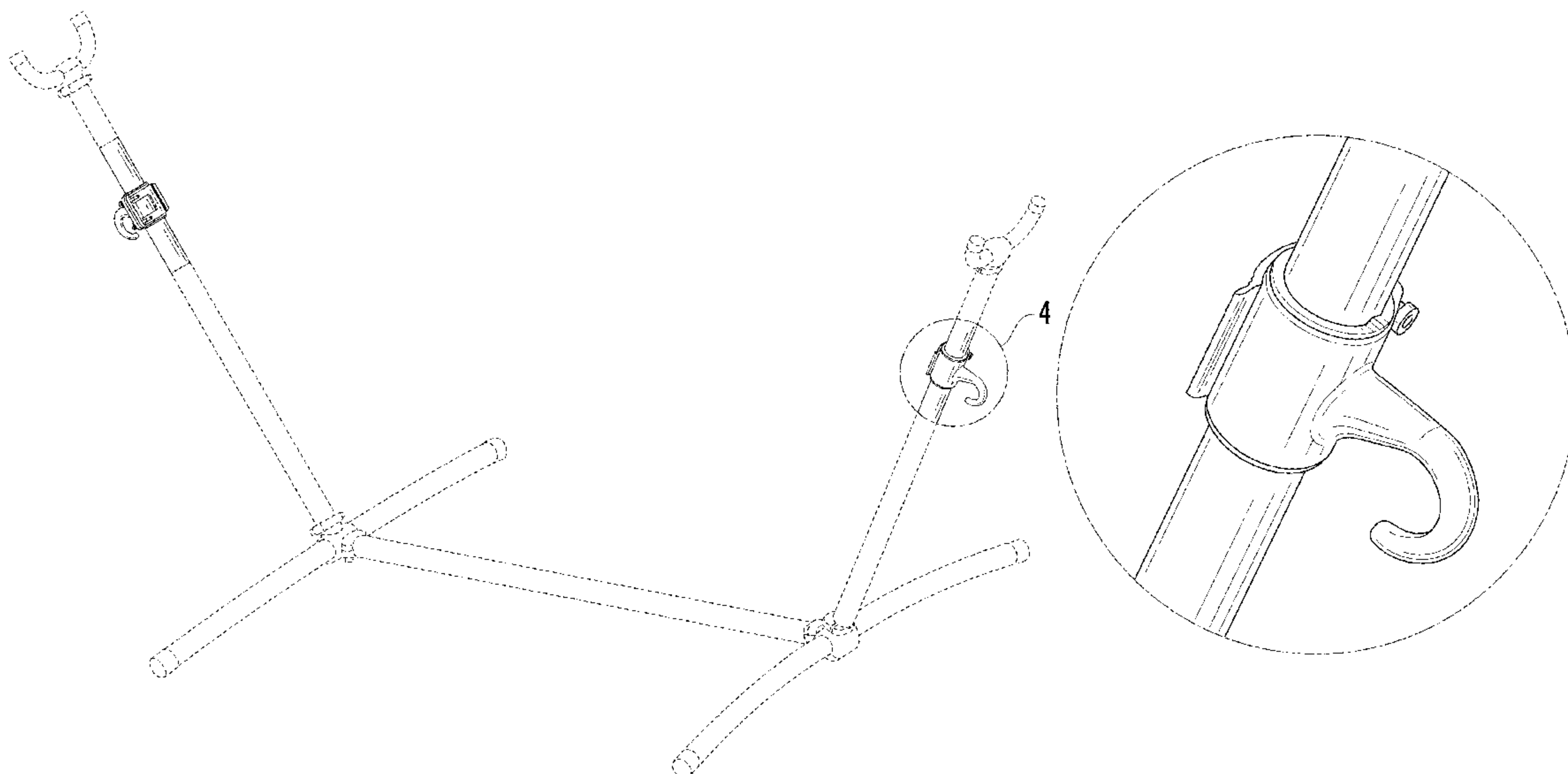
The ornamental design for a quick release hammock frame, as shown and described.

DESCRIPTION

FIG. 1 is a front perspective view of a quick release hammock frame, showing my new design;
 FIG. 2 is a rear perspective view thereof;
 FIG. 3 is an enlarged view of the quick release hammock frame, taken from indication circle 3 of FIG. 1, with the opposing side being identical to the enlarged view of FIG. 4;
 FIG. 4 is an enlarged view of the quick release hammock frame, taken from indication circle 4 of FIG. 2, with the opposing side being identical to the enlarged view of FIG. 3;
 FIG. 5 is front elevation view thereof;
 FIG. 6 is a rear view thereof;
 FIG. 7 is a right side elevation view thereof;
 FIG. 8 is a left side elevation view thereof;
 FIG. 9 is a bottom plan view thereof; and,
 FIG. 10 is a top plan view thereof.

The broken lines depict portions of the quick release hammock frame that form no part of the claim. The dot-dot-dash broken lines define the bounds of the claim and form no part thereof.

1 Claim, 9 Drawing Sheets



(56)

References Cited

U.S. PATENT DOCUMENTS

9,629,491 B1 * 4/2017 Van Dyne F16B 2/10
D797,549 S * 9/2017 Dew D8/394
D802,406 S * 11/2017 Milner D8/382
D809,844 S * 2/2018 Huang D6/718.12
2005/0103961 A1 * 5/2005 Swanstrom F16L 3/13
248/305
2007/0017026 A1 * 1/2007 Lam A45F 3/24
5/127
2007/0095996 A1 * 5/2007 Selders A45B 3/06
248/304
2017/0045158 A1 * 2/2017 Mooij A45F 5/021

* cited by examiner

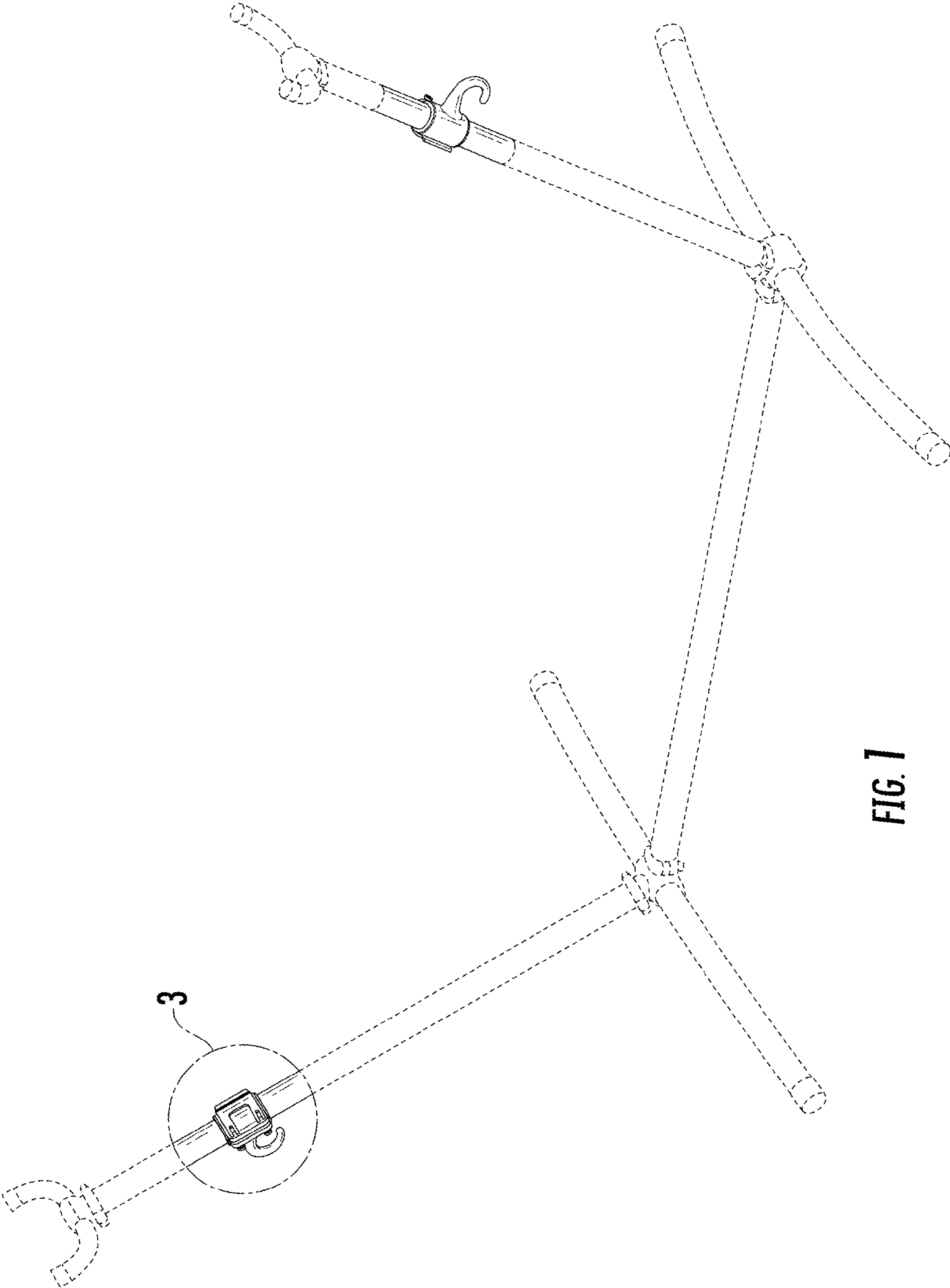


FIG. 1

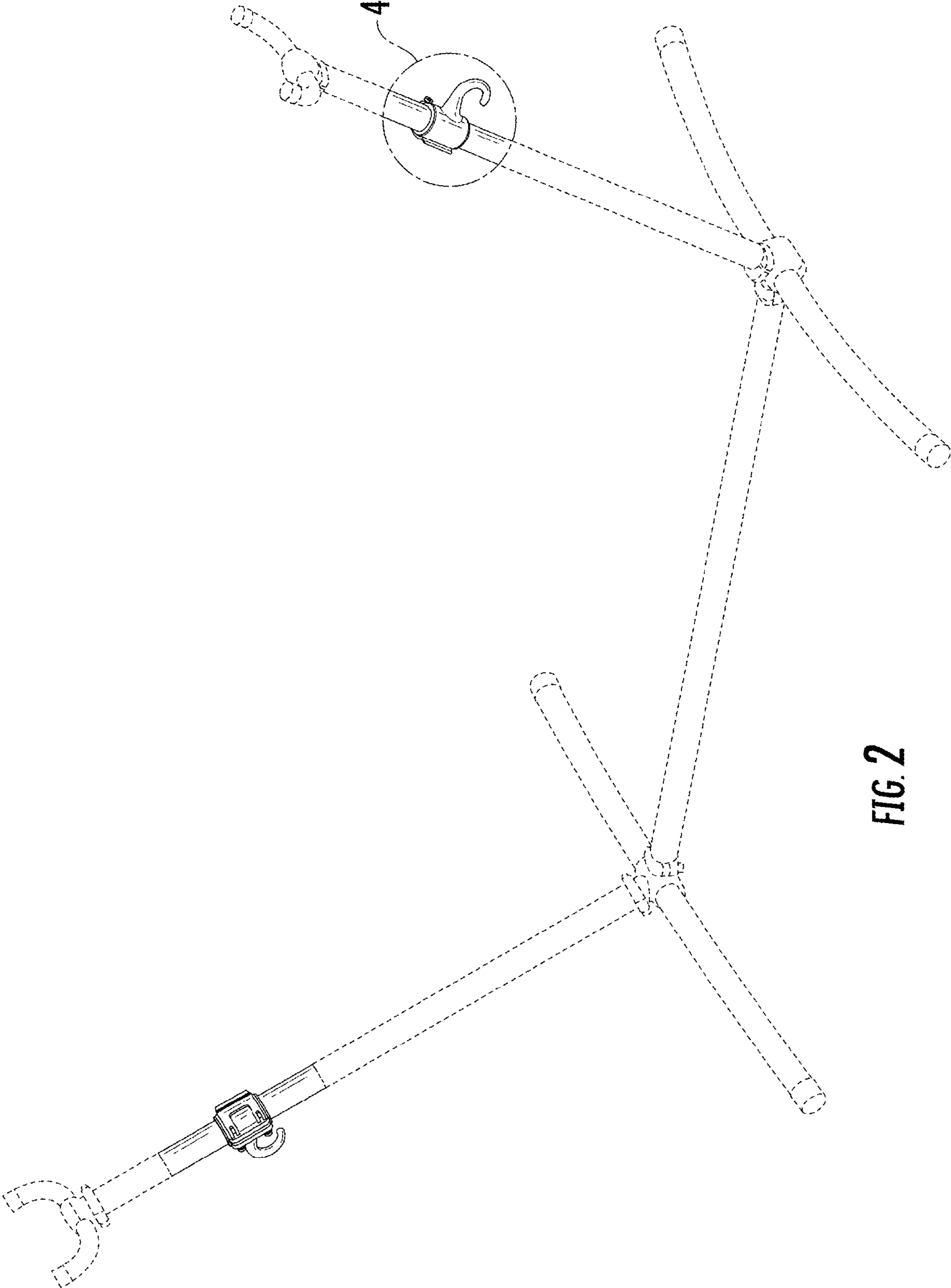


FIG. 2

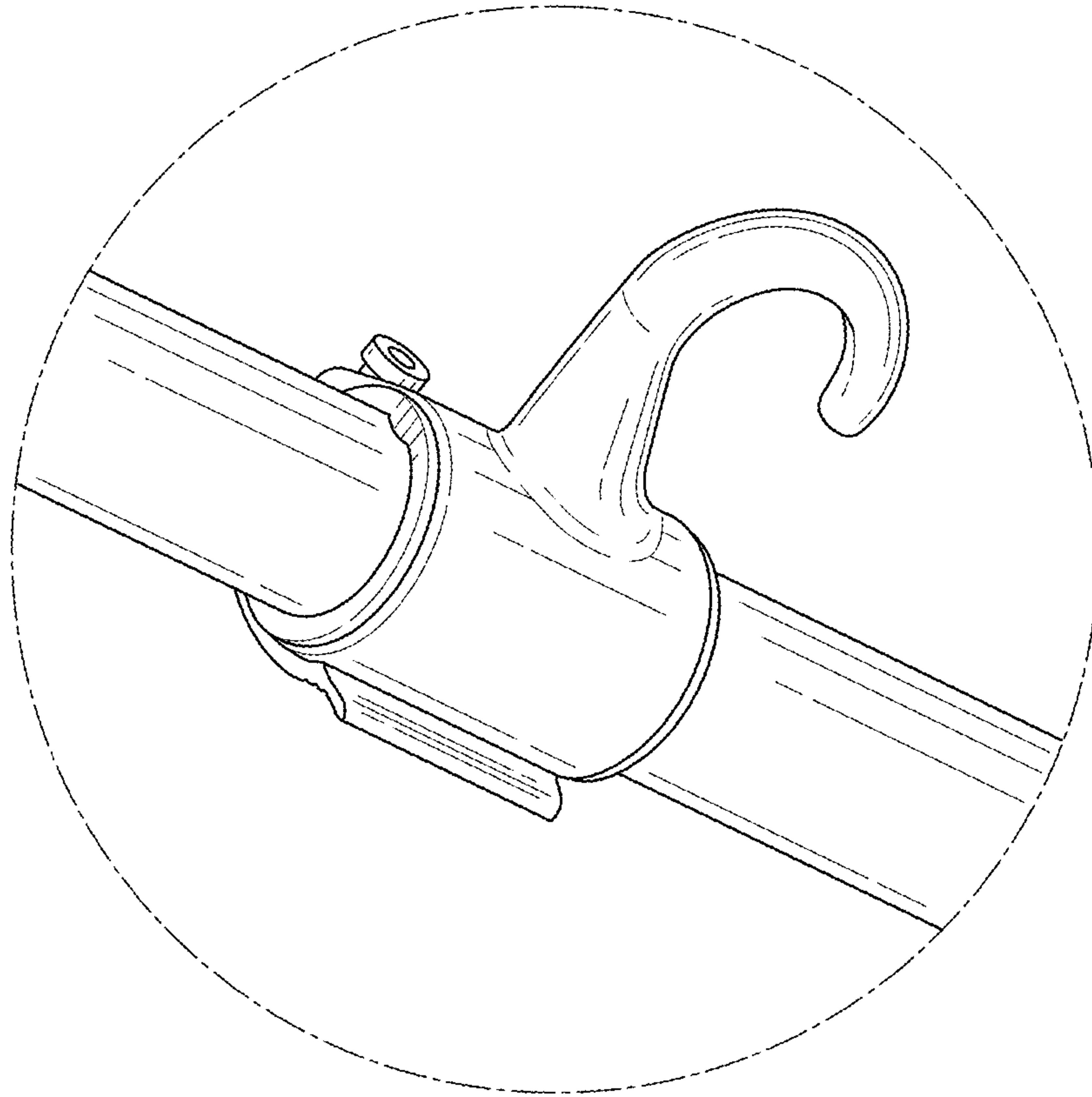


FIG. 4

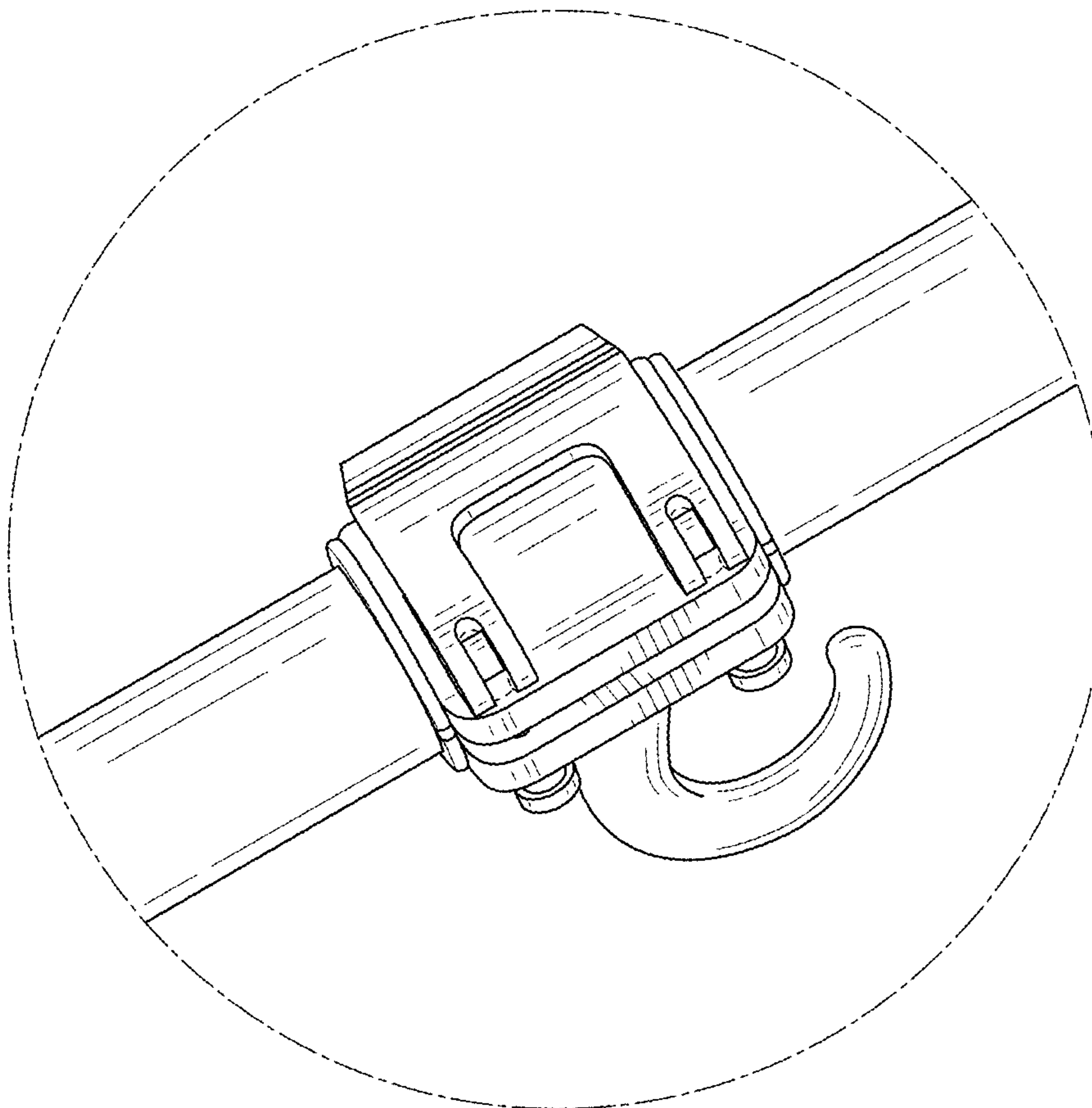


FIG. 3



FIG. 5



FIG. 6

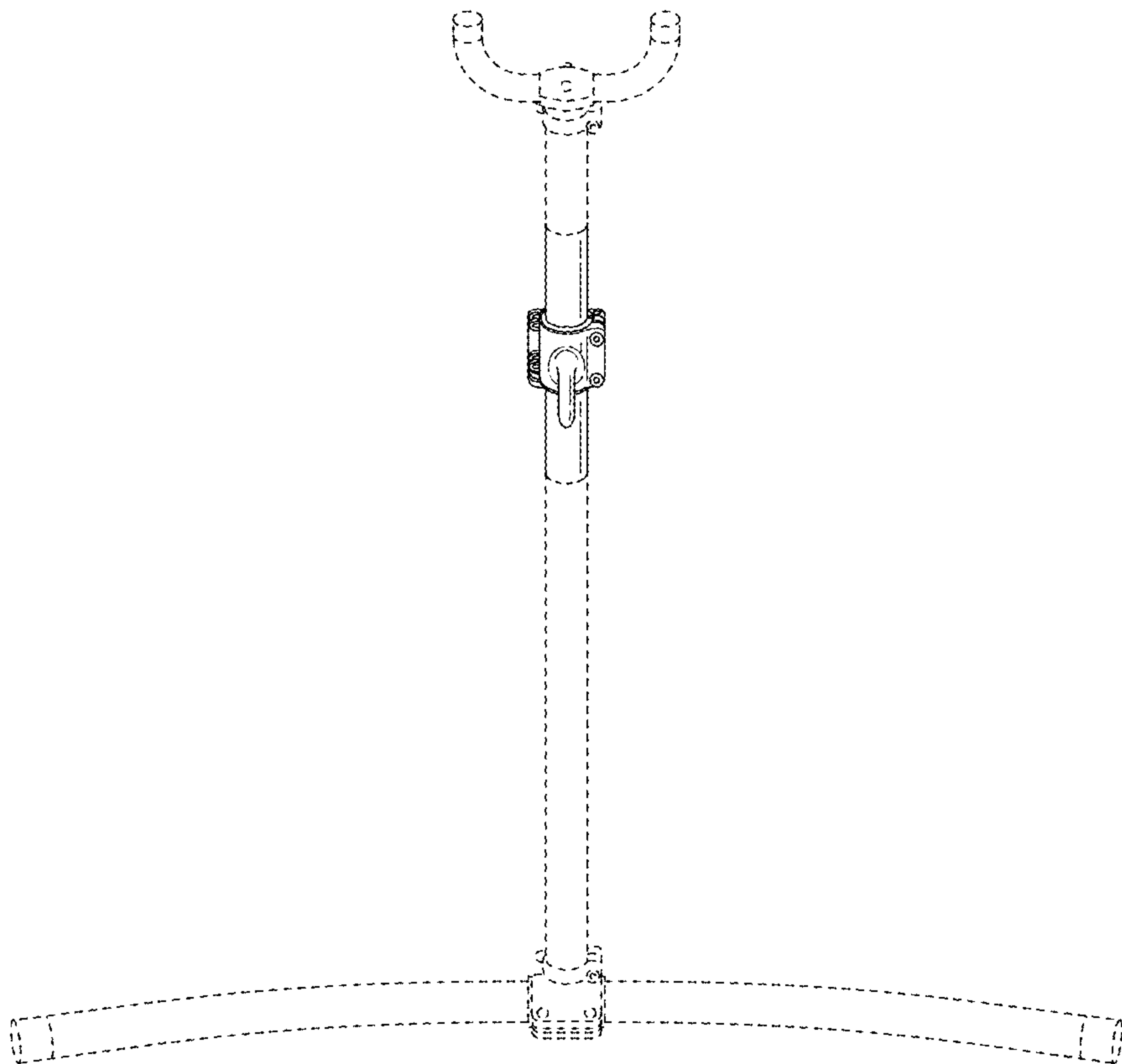


FIG. 7

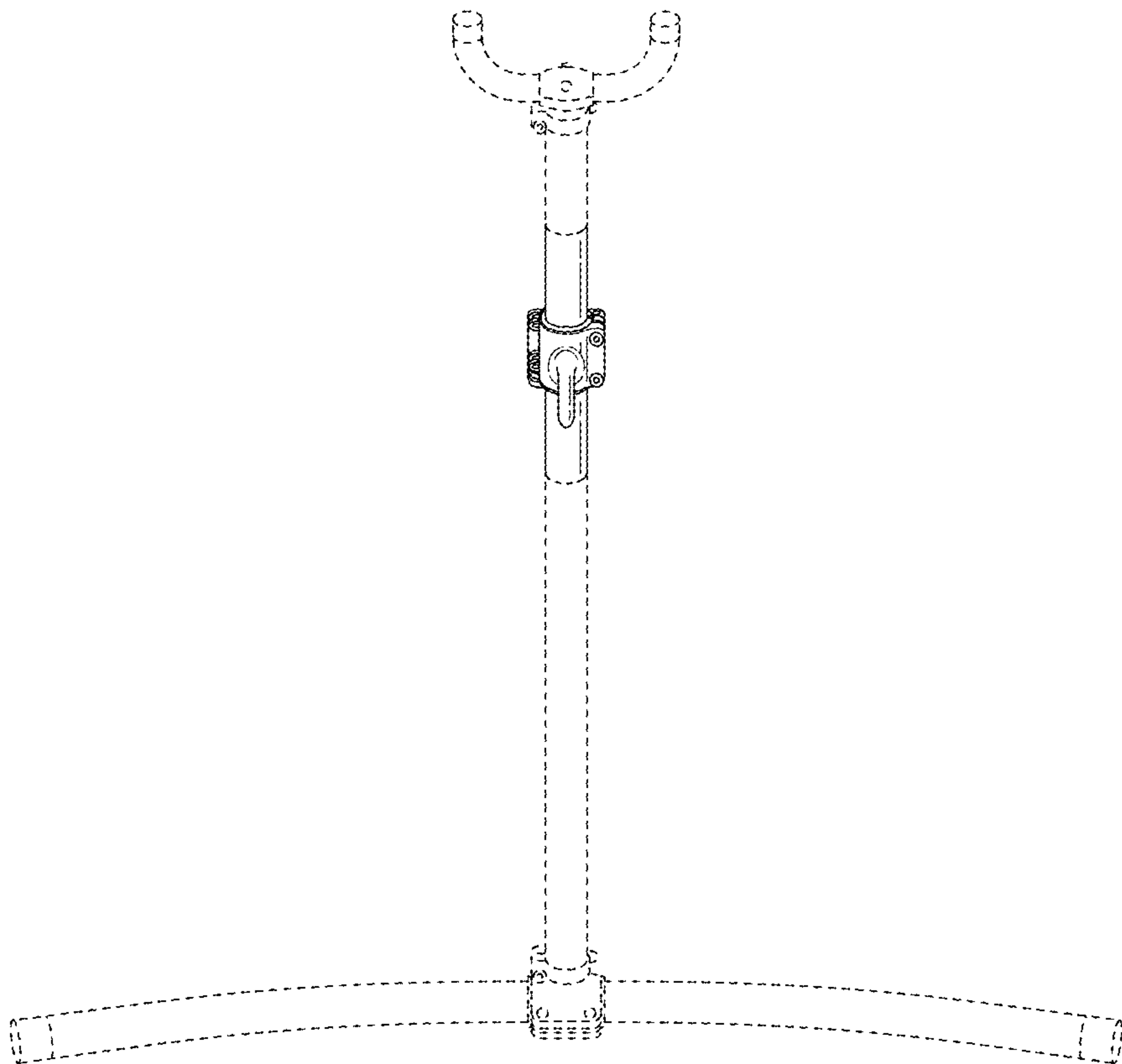


FIG. 8

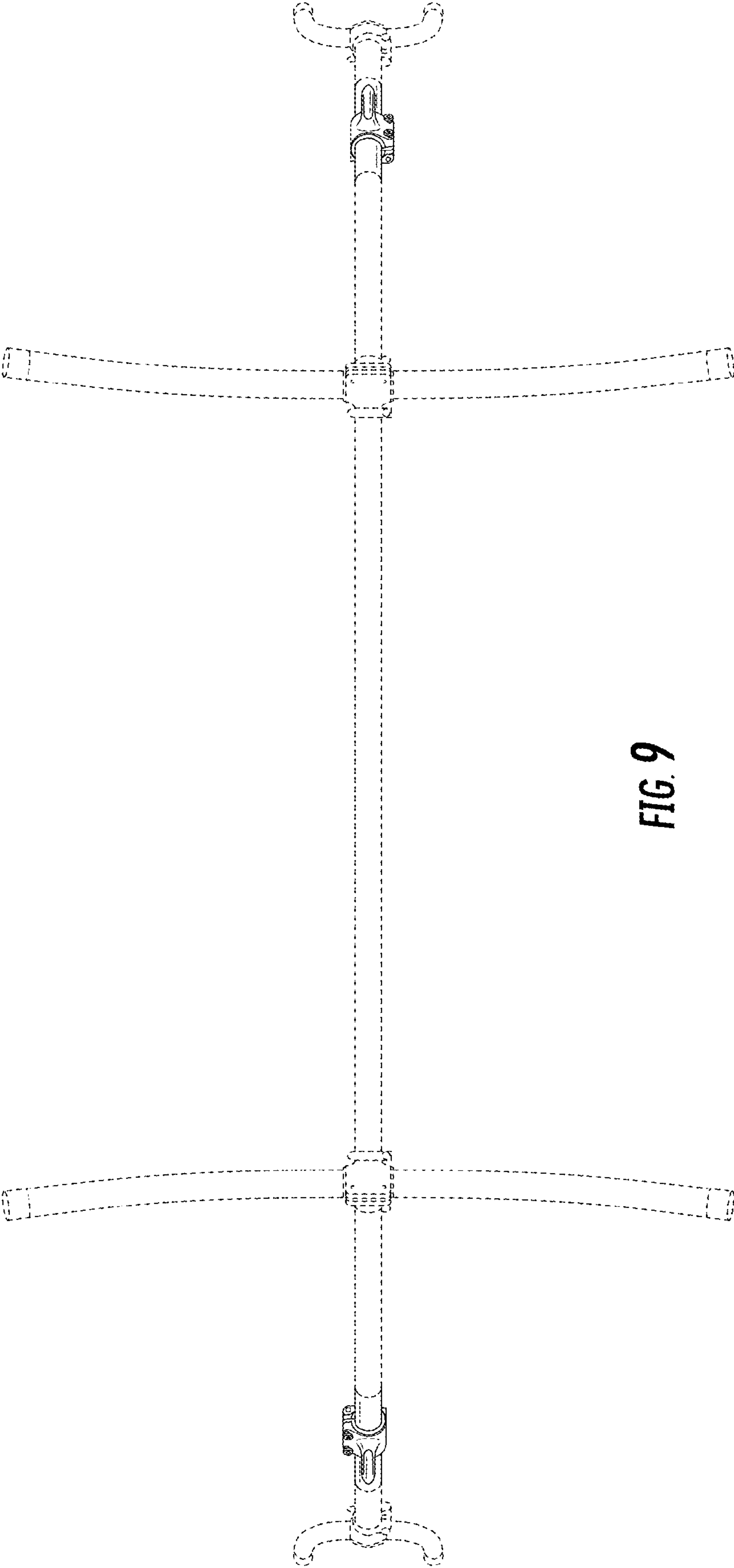


FIG. 9

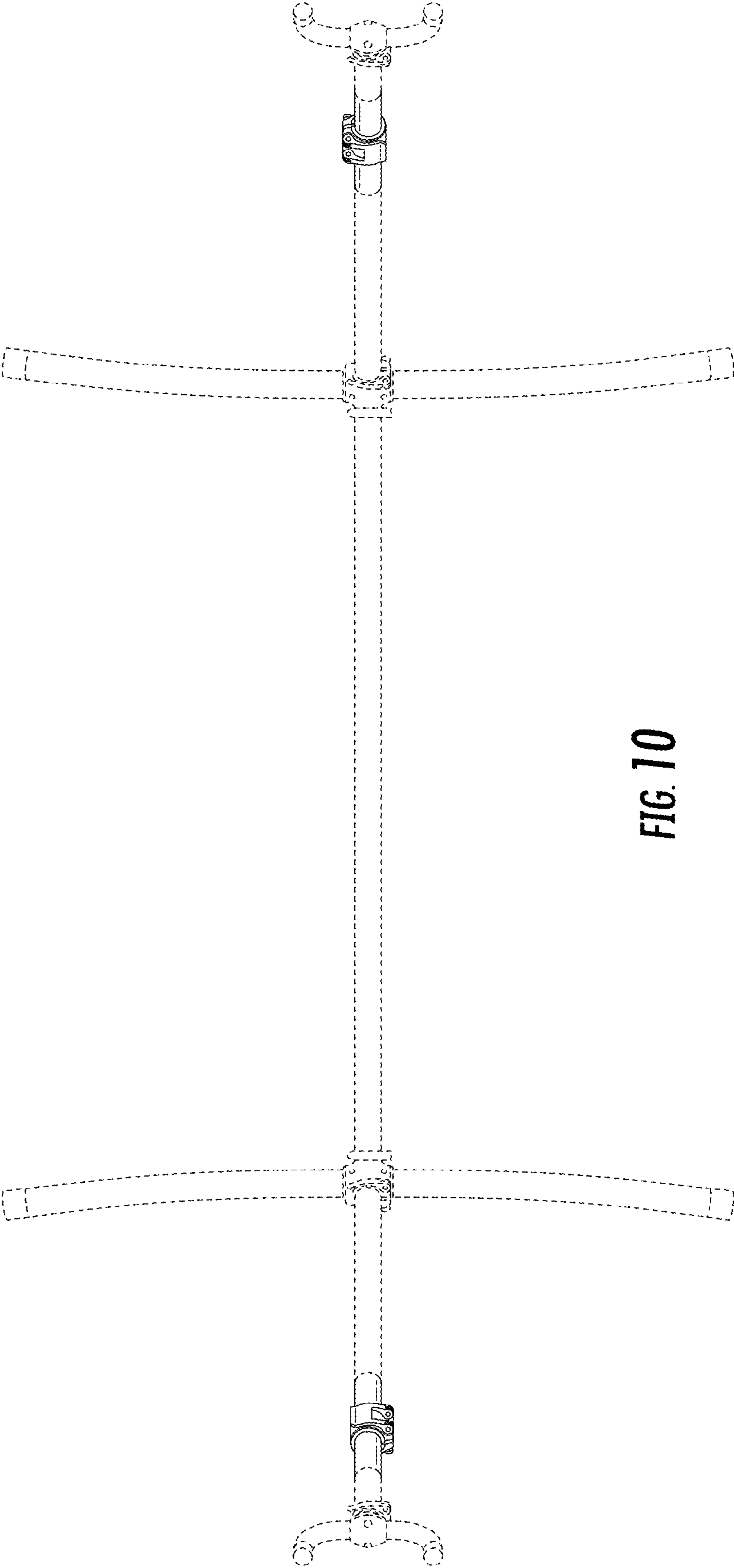


FIG. 10