



US00D879526S

(12) **United States Design Patent** (10) **Patent No.:** **US D879,526 S**
Abadie et al. (45) **Date of Patent:** **** Mar. 31, 2020**

(54) **CHAIR BACK**

3,907,363 A 9/1975 Baker et al.
D255,184 S * 6/1980 Locher D6/375
D297,890 S * 10/1988 Hockenberry D6/367
D315,836 S 4/1991 Kaiser

(Continued)

(71) Applicant: **Gary Platt Manufacturing, LLC**,
Reno, NV (US)

(72) Inventors: **Edmond E. Abadie**, Reno, NV (US);
Daniel J. Waller, Reno, NV (US)

(73) Assignee: **GARY PLATT MANUFACTURING, LLC**,
Reno, NV (US)

(**) Term: **15 Years**

(21) Appl. No.: **29/687,984**

(22) Filed: **Apr. 17, 2019**

OTHER PUBLICATIONS

Fritz Hansen, "Chairs", retrieved from <https://fritzhansen.com/en-us/products/chairs?showType=product>, on Apr. 8, 2019, 8 pages.

(Continued)

Primary Examiner — George D. Kirschbaum

Assistant Examiner — Joseph J Kukella

(74) *Attorney, Agent, or Firm* — Hanley, Flight and
Zimmerman, LLC

Related U.S. Application Data

(60) Continuation of application No. 29/660,998, filed on
Aug. 23, 2018, now Pat. No. Des. 847,549, which is
a division of application No. 29/561,747, filed on Apr.
19, 2016, now Pat. No. Des. 829,458.

(51) **LOC (12) Cl.** **06-06**

(52) **U.S. Cl.**
USPC **D6/716.4**

(58) **Field of Classification Search**
USPC D6/334, 360, 374, 375, 379, 380, 716.4
CPC A47C 1/00; A47C 7/00; A47C 7/02; A47C
7/18; A47C 7/24; A47C 3/00; A47C
3/023; A47C 5/00; A47C 5/04; A47C
5/06; A47C 9/00; A47C 9/07; A47C
16/00; A47C 16/02

See application file for complete search history.

(57) **CLAIM**

The ornamental design for a chair back, substantially as
shown and described.

DESCRIPTION

A portion of the disclosure of this patent document contains
material for which a claim for copyright is made. The
copyright owner has no objection to the facsimile reproduc-
tion by anyone of the patent document or the patent disclo-
sure, as it appears in the US Patent and Trademark Office
patent file or records, but reserves all other copyrights
whatsoever.

FIG. 1 is an upper perspective view of an ornamental design
for a chair back;

FIG. 2 is a right elevation view thereof;

FIG. 3 is a left elevation view thereof;

FIG. 4 is a front view thereof;

FIG. 5 is a rear view thereof;

FIG. 6 is a top view thereof; and,

FIG. 7 is a bottom view thereof.

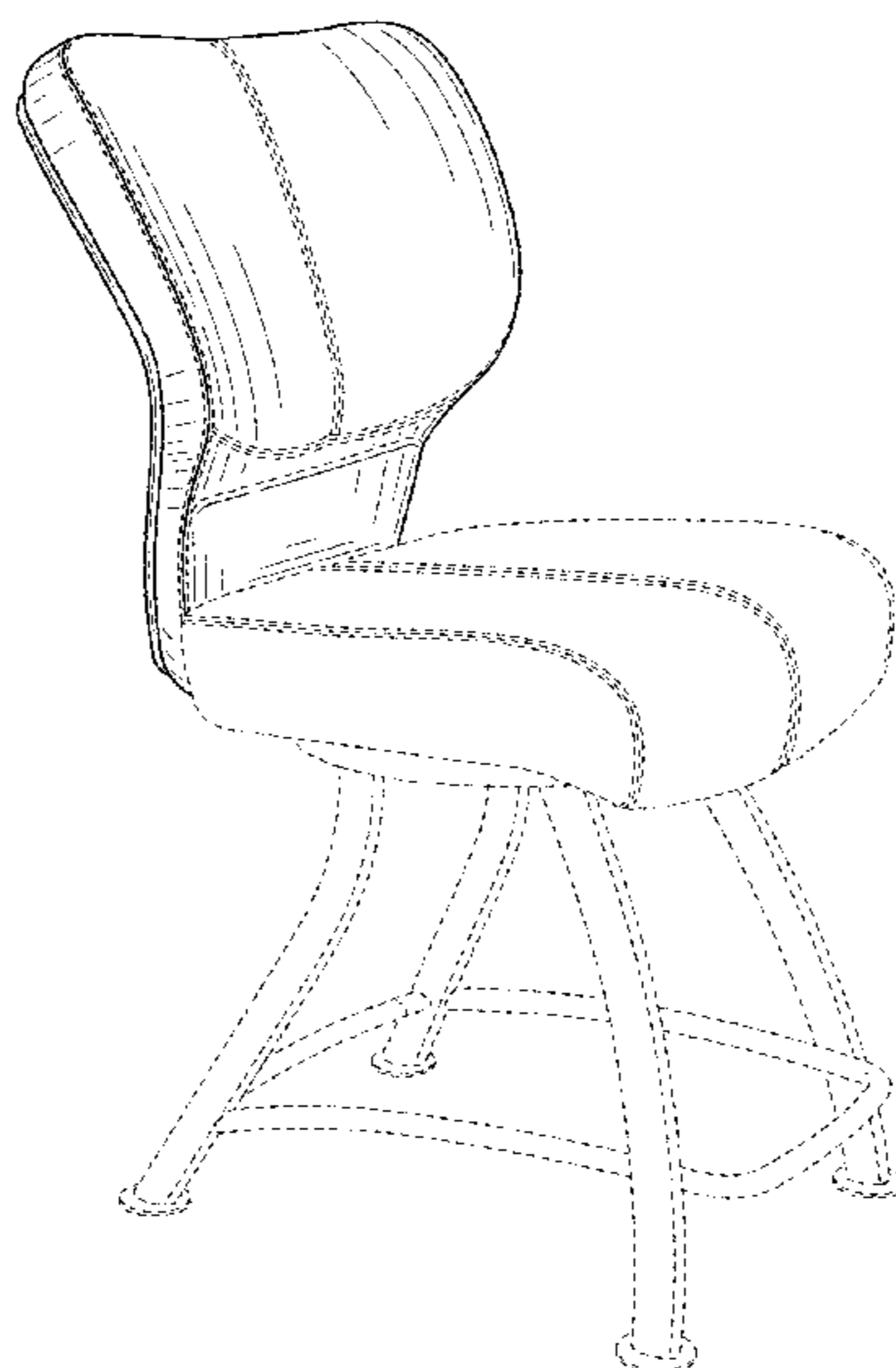
In the drawings, the broken lines depict portions of the
gaming chair that form no part of the claimed design.

(56) **References Cited**

U.S. PATENT DOCUMENTS

1,220,642 A * 3/1917 Kilburn A47C 5/04
297/451.1
1,885,630 A 11/1932 Ronan
D171,521 S * 2/1954 Taffae D6/334
3,556,591 A 1/1971 Smith

1 Claim, 4 Drawing Sheets



(56)

References Cited

U.S. PATENT DOCUMENTS

5,102,192 A * 4/1992 Barile, Sr. A47C 15/004
248/501
D333,733 S 3/1993 Sammons
D341,045 S * 11/1993 Barile D6/716.4
D344,195 S 2/1994 Hare
D345,477 S * 3/1994 Infanti D6/716.4
D347,334 S 5/1994 Fewchuk
5,542,748 A 8/1996 Barile
D411,699 S 6/1999 Bond et al.
D421,187 S 2/2000 Kaiser
D433,855 S * 11/2000 Turner A47C 15/004
D6/716.4
D441,557 S 5/2001 Glass
D444,636 S * 7/2001 Ooyama D6/360
D477,926 S 8/2003 Haney et al.
D502,013 S 2/2005 Kaiser
D502,014 S 2/2005 Kaiser
D507,893 S 8/2005 Glass et al.
D517,357 S 3/2006 Gasser
D520,768 S 5/2006 Glass et al.
D520,782 S * 5/2006 Glass D6/716.4
7,052,083 B2 5/2006 Peitz et al.
D536,548 S * 2/2007 Peitz A47C 5/04
D6/374
D536,554 S 2/2007 True
D541,069 S 4/2007 Peitz et al.
D551,881 S 10/2007 True
D562,020 S 2/2008 Massaud
D573,804 S 7/2008 Bartlmae
D599,129 S 9/2009 Opsvik
D603,616 S 11/2009 Kubryk
D614,416 S 4/2010 Garzon
7,832,799 B2 11/2010 Davis, Jr. et al.
D646,513 S * 10/2011 Mezzera D6/716.4
D646,514 S 10/2011 Vong
D646,515 S 10/2011 Vong
D656,328 S 3/2012 Samuel et al.

D663,974 S 7/2012 Swy
D665,183 S 8/2012 Welsh
8,353,560 B2 1/2013 Grove
D679,512 S 4/2013 Lade
D680,763 S 4/2013 Ouchi
D681,353 S 5/2013 Lade
D683,558 S 6/2013 Rada et al.
D686,858 S 7/2013 Fletcher
D701,054 S 3/2014 Lee
8,979,207 B2 3/2015 Bachar
D729,563 S 5/2015 Kubryk
D743,180 S 11/2015 Mehaffey et al.
9,193,286 B2 11/2015 Okuyama et al.
9,637,035 B2 5/2017 Abe et al.
9,648,957 B2 5/2017 Su
9,955,785 B2 5/2018 Voigt et al.
D829,458 S 10/2018 Abadie et al.
D847,549 S 5/2019 Abadie et al.
2002/0053822 A1 5/2002 Ware et al.
2005/0242651 A1 11/2005 Peitz et al.

OTHER PUBLICATIONS

NIGA Tradeshow & Convention, Phoenix, AZ, Mar. 24-27, 2013, Booth #945, retrieved from <http://www.icontact-archive.com/e7t1CYWWjUYQB-9KN9CTVTg7ILnQrvWK?w=1>, 2 pages.
The Lido Revolutionizes Casino Seating Your Casino Insider, Oct. 10, 2014, retrieved from <https://exclusivelycasinos.wordpress.com/2014/10/10/lidox2series/>, 1 page.
United States Patent and Trademark Office, "Notice of Allowance," issued in connection with U.S. Appl. No. 29/561,747, dated Aug. 15, 2018, 14 pages.
United States Patent and Trademark Office, "Notice of Allowance," issued in connection with U.S. Appl. No. 29/660,998, dated Dec. 28, 2018, 11 pages.
United States Patent and Trademark Office, "Non-Final Office action," issued in connection with U.S. Appl. No. 29/660,998, dated Nov. 1, 2018, 16 pages.

* cited by examiner

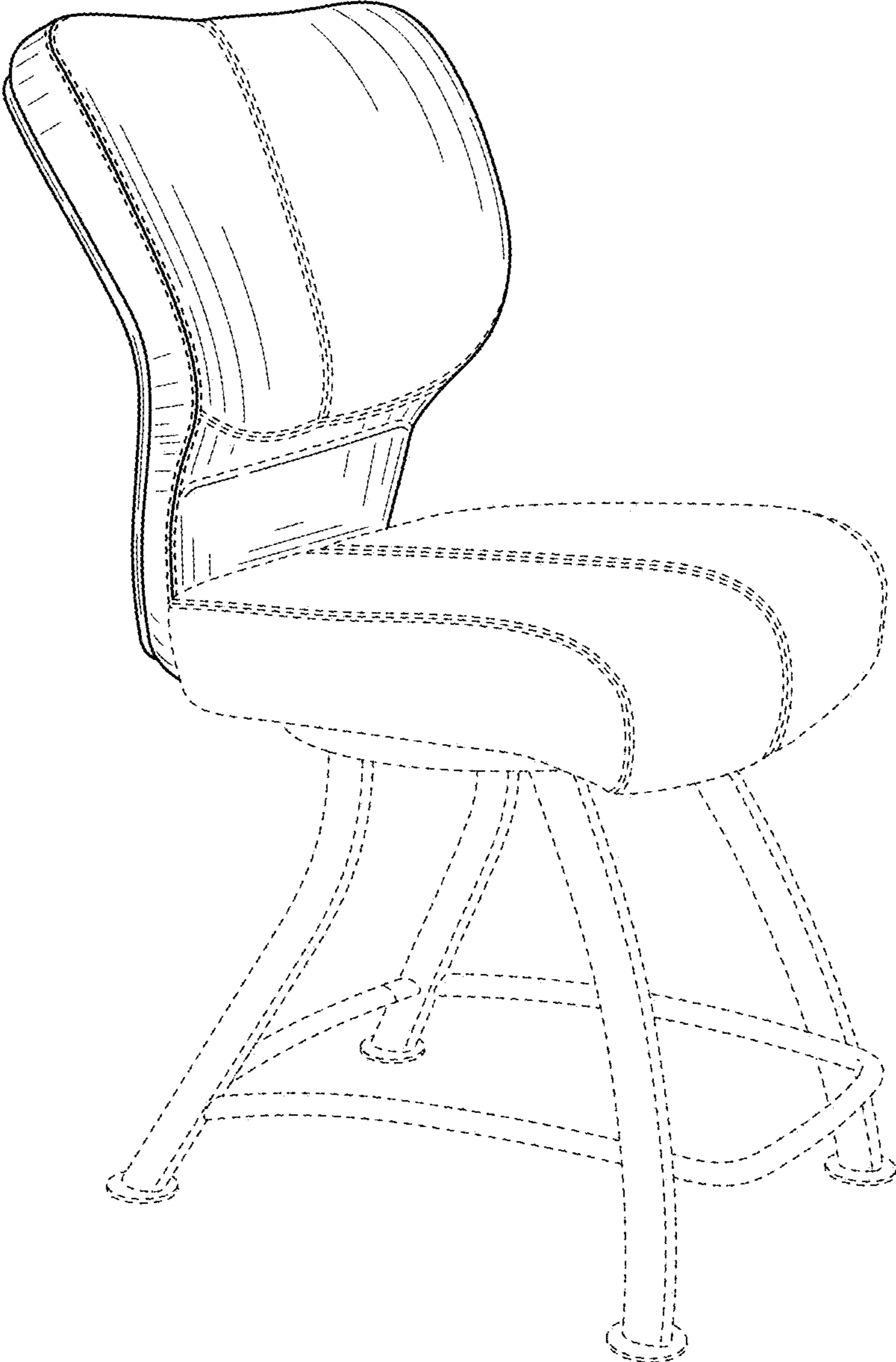


FIG. 1

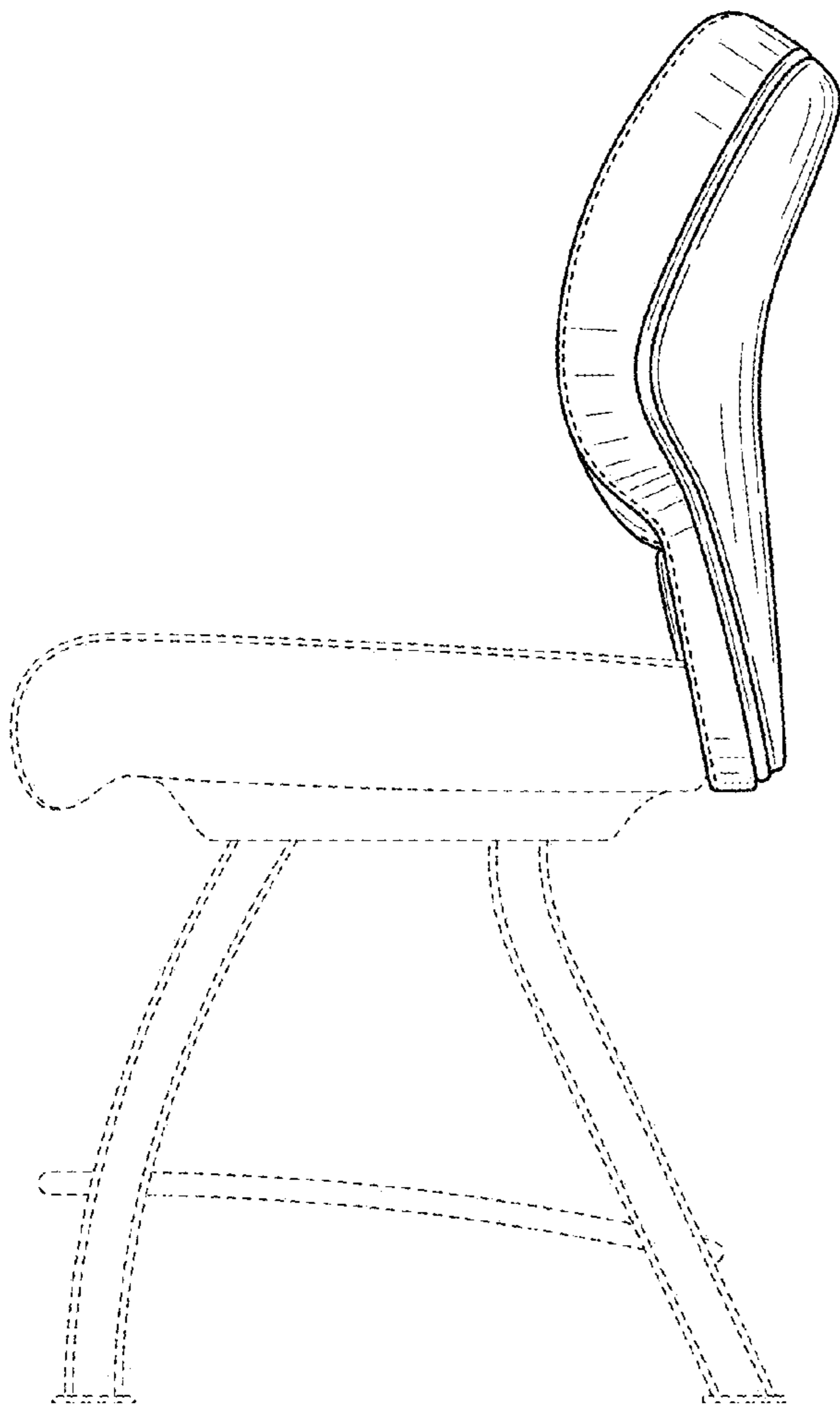


FIG. 2

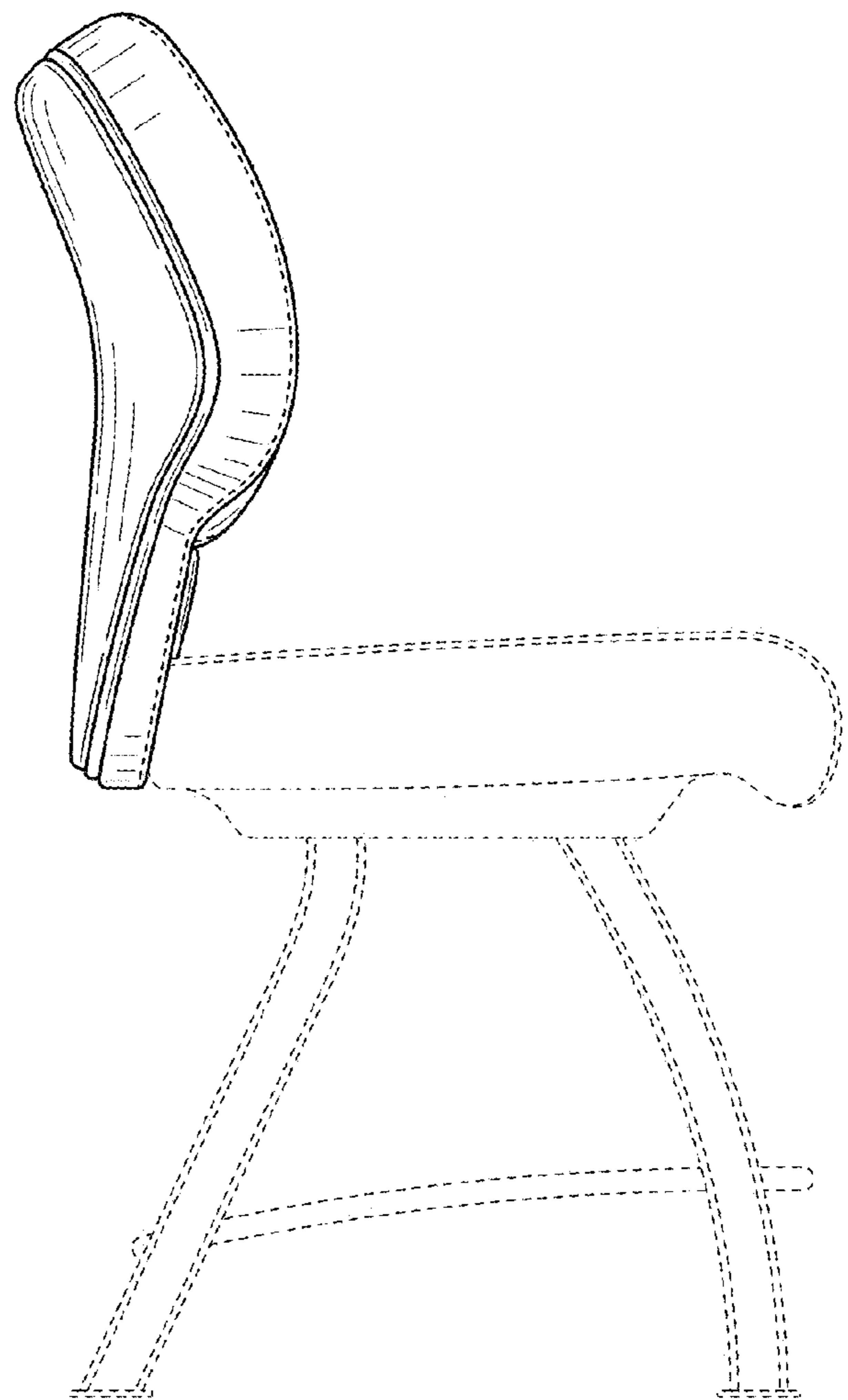


FIG. 3

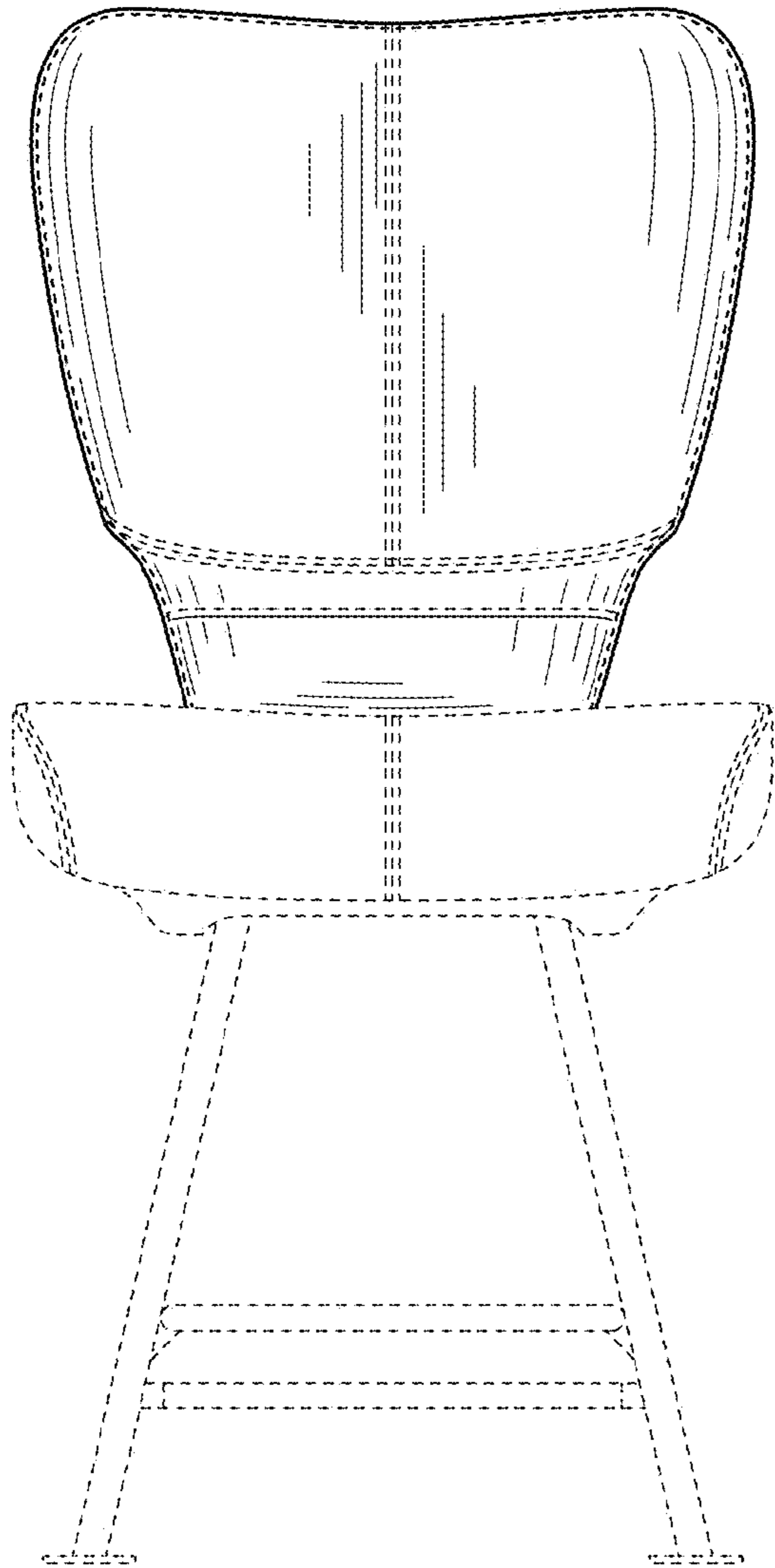


FIG. 4

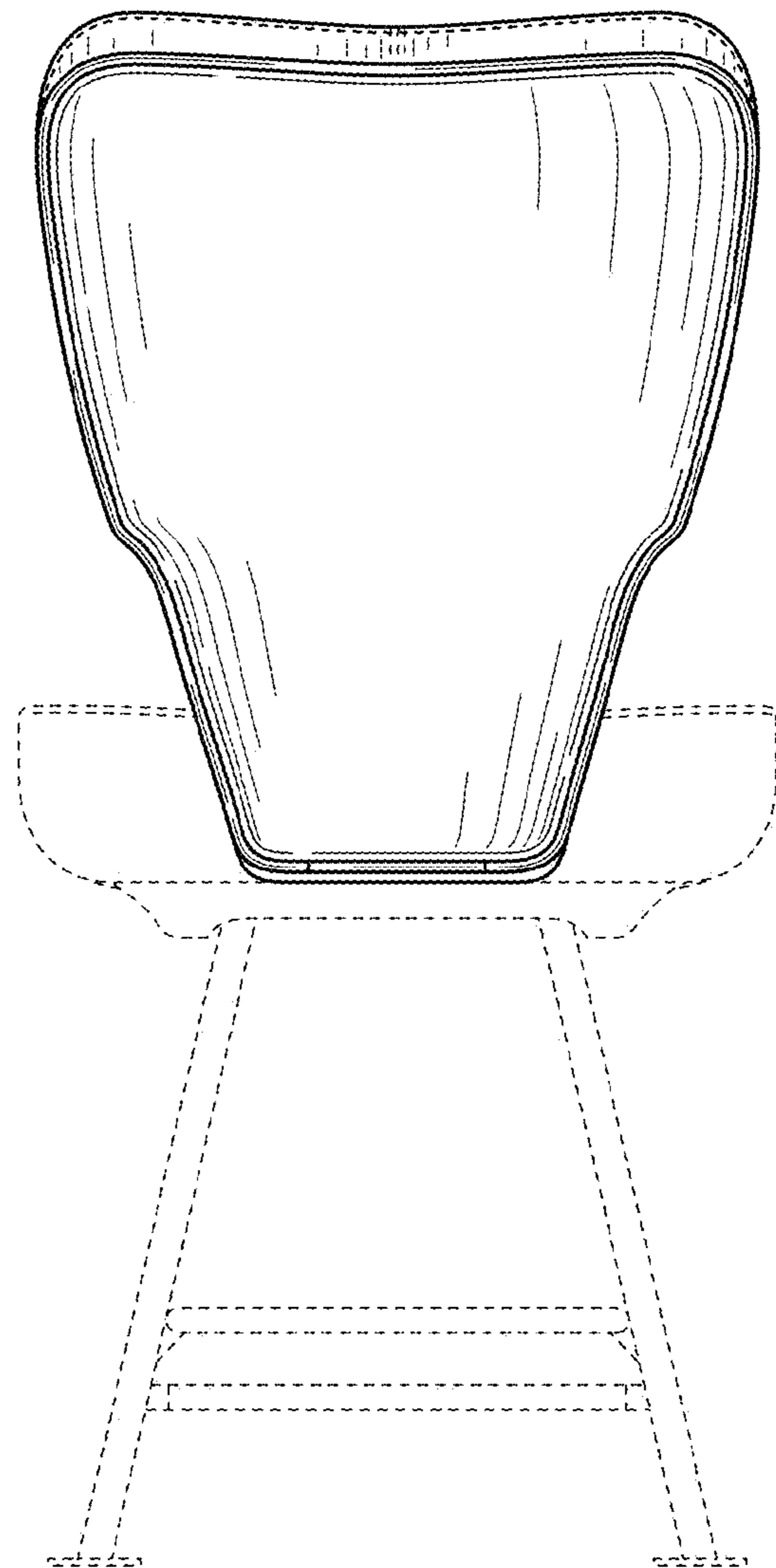


FIG. 5

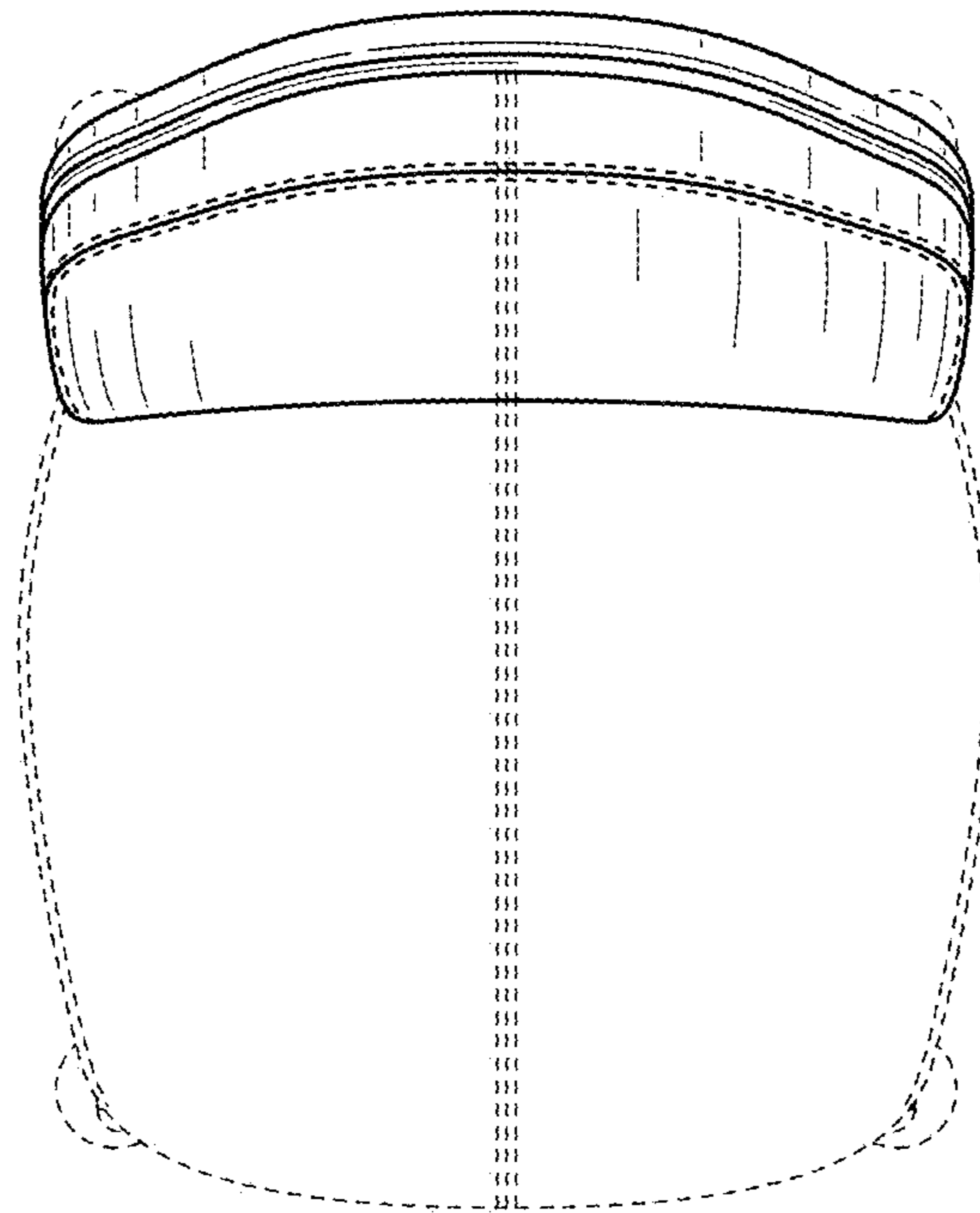


FIG. 6

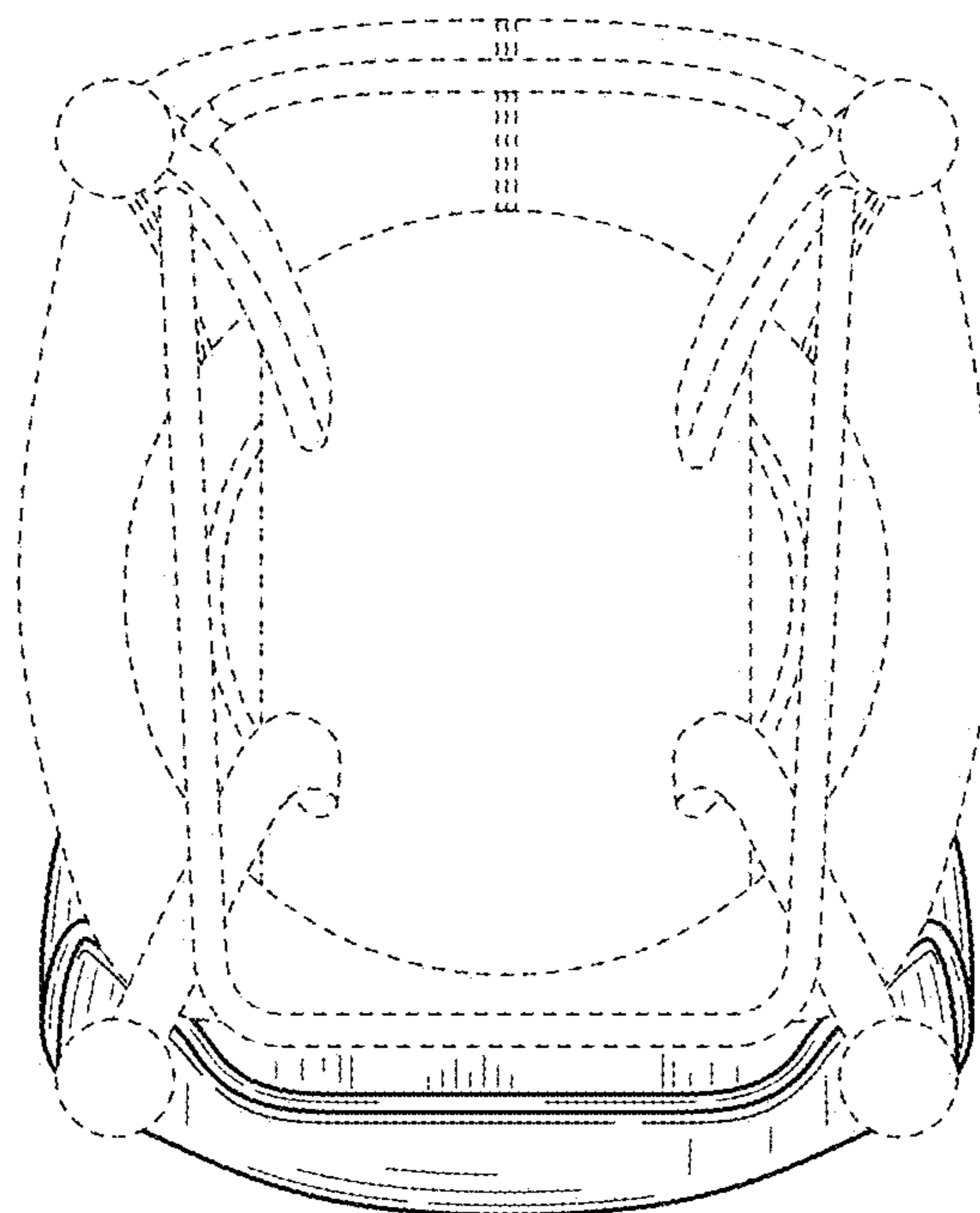


FIG. 7