

US00D879525S

(12) **United States Design Patent** (10) **Patent No.:** **US D879,525 S**
Scala et al. (45) **Date of Patent:** **** Mar. 31, 2020**

(54) **CHAIR**

(71) Applicant: **Aspen Academy**, Greenwood Village, CO (US)

(72) Inventors: **Kristina Elizabeth Scala**, Littleton, CO (US); **Frank Phillips**, Evergreen, CO (US)

(73) Assignee: **Aspen Academy**, Greenwood Village, CO (US)

(**) Term: **15 Years**

(21) Appl. No.: **29/711,750**

(22) Filed: **Nov. 1, 2019**

Related U.S. Application Data

(63) Continuation of application No. 29/622,673, filed on Oct. 18, 2017, now Pat. No. Des. 865,392.

(51) **LOC (12) Cl.** **06-01**

(52) **U.S. Cl.**
USPC **D6/716; D6/371; D6/375**

(58) **Field of Classification Search**
USPC D6/334-336, 348, 361, 371, 372, 373, D6/374, 375, 601, 716, 716.1, 716.2, D6/716.3, 716.4
CPC .. A47C 3/029; A47C 3/16; A47C 4/02; A47C 4/024; A47C 4/025; A47C 4/028; A47C 7/02; A47C 7/18; A47C 7/24

See application file for complete search history.

(56) **References Cited**

U.S. PATENT DOCUMENTS

3,526,429	A *	9/1970	Metzger	A47C 3/029 297/271.5
D226,646	S *	4/1973	Cross, Jr.	D6/371
3,899,208	A *	8/1975	Cirigliano	A47C 3/029 297/271.5
7,182,405	B1 *	2/2007	Blakeslee	A47C 7/02 297/271.6
D754,451	S *	4/2016	Stroman	D6/361
D758,100	S *	6/2016	Pham	D6/601
D823,019	S *	7/2018	Pila Gonzalez	D6/375
D865,392	S *	11/2019	Phillips	D6/371

* cited by examiner

Primary Examiner — Mimosa De

(74) *Attorney, Agent, or Firm* — Talus Law Group LLC

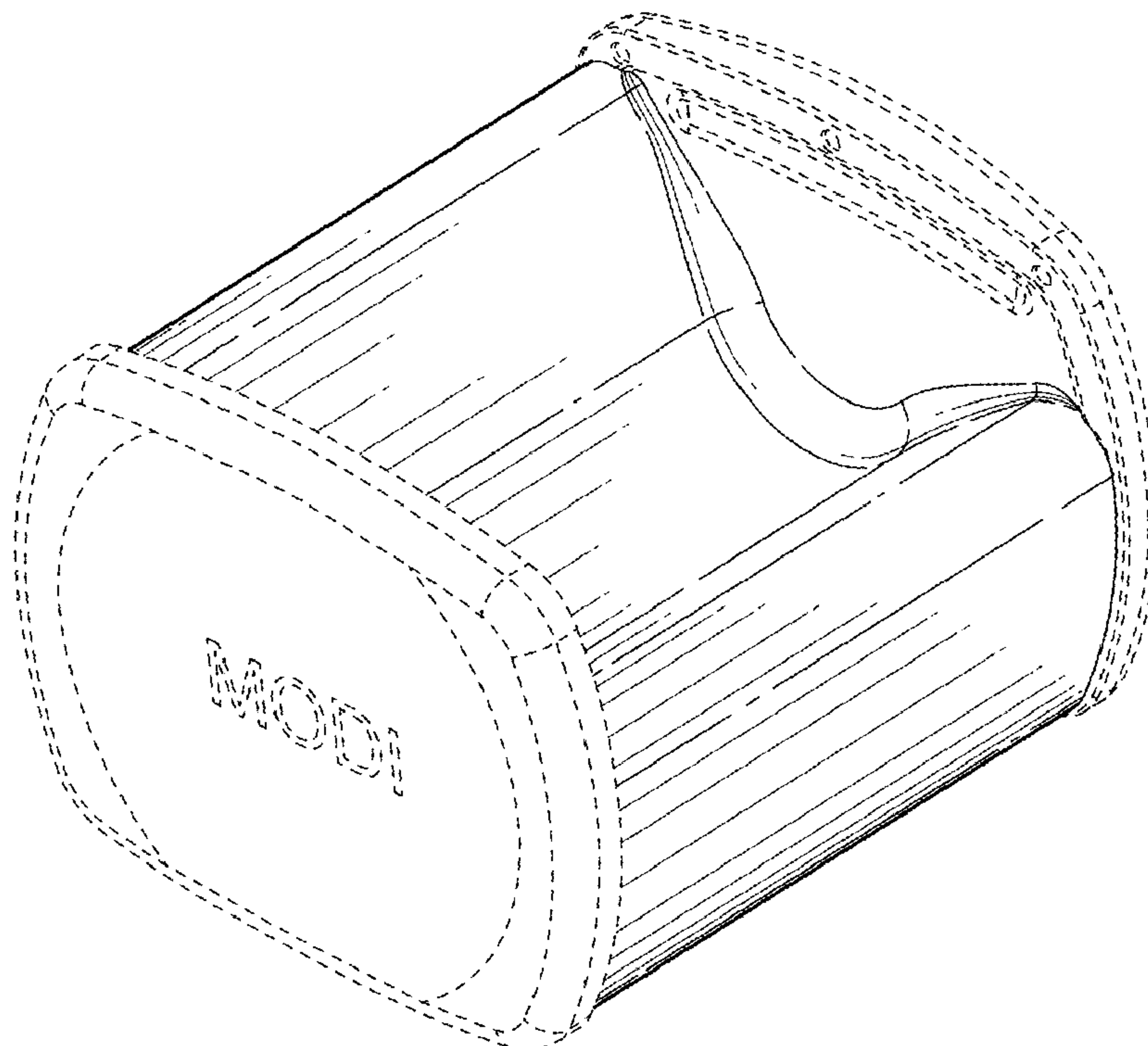
(57) **CLAIM**

The ornamental design for the chair, as shown and described.

DESCRIPTION

FIG. 1 is a front perspective view of the chair according to the present design;
FIG. 2 is a front elevational view thereof;
FIG. 3 is a rear elevational view thereof;
FIG. 4 is a top plan view thereof;
FIG. 5 is a bottom plan view thereof;
FIG. 6 is a left-side elevational view thereof; and,
FIG. 7 is a right-side elevational view thereof.
The broken line shown in the figures illustrates portions of the chair that form no part of the claimed design.

1 Claim, 4 Drawing Sheets



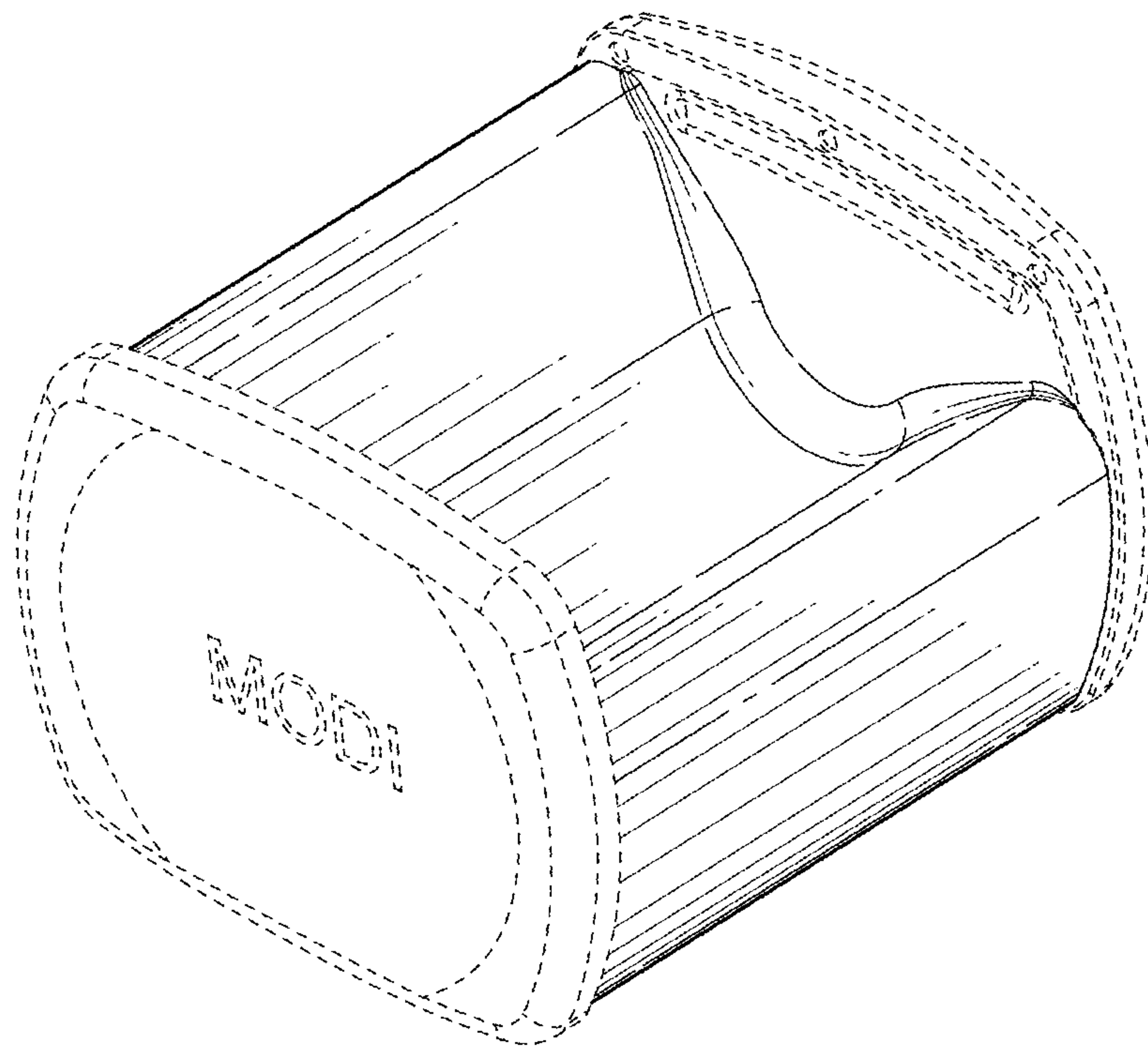


FIG. 1

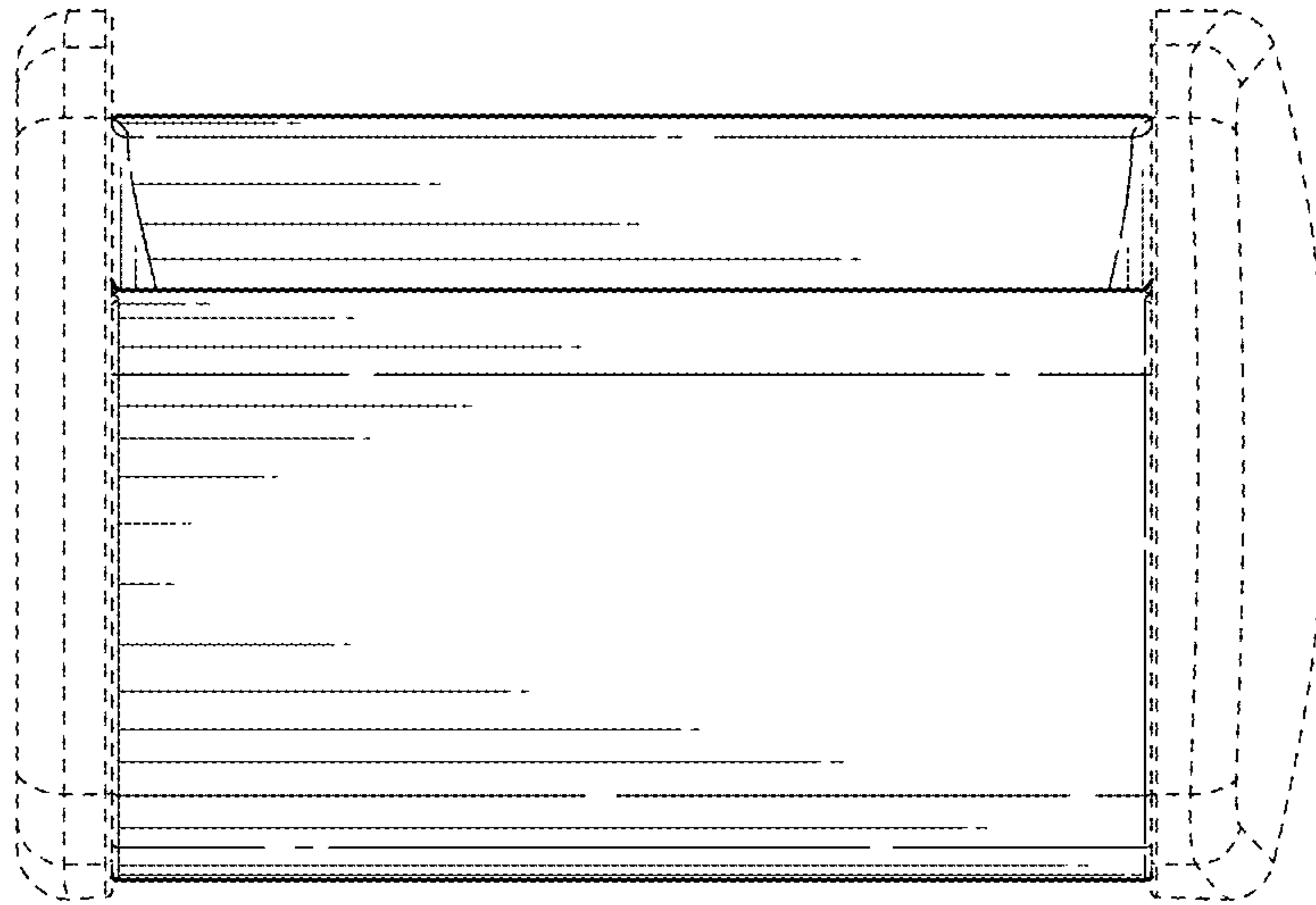


FIG. 2

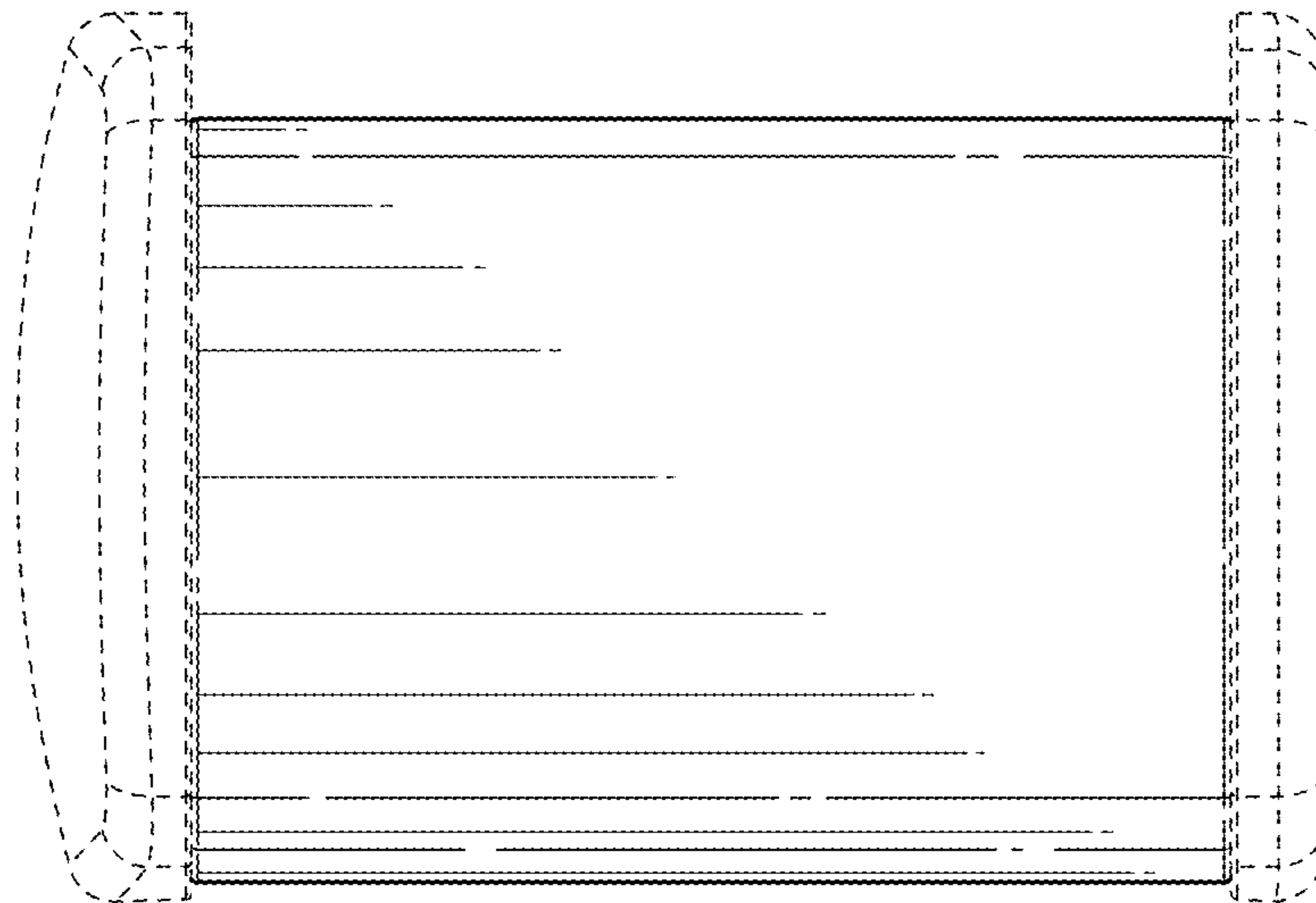


FIG. 3

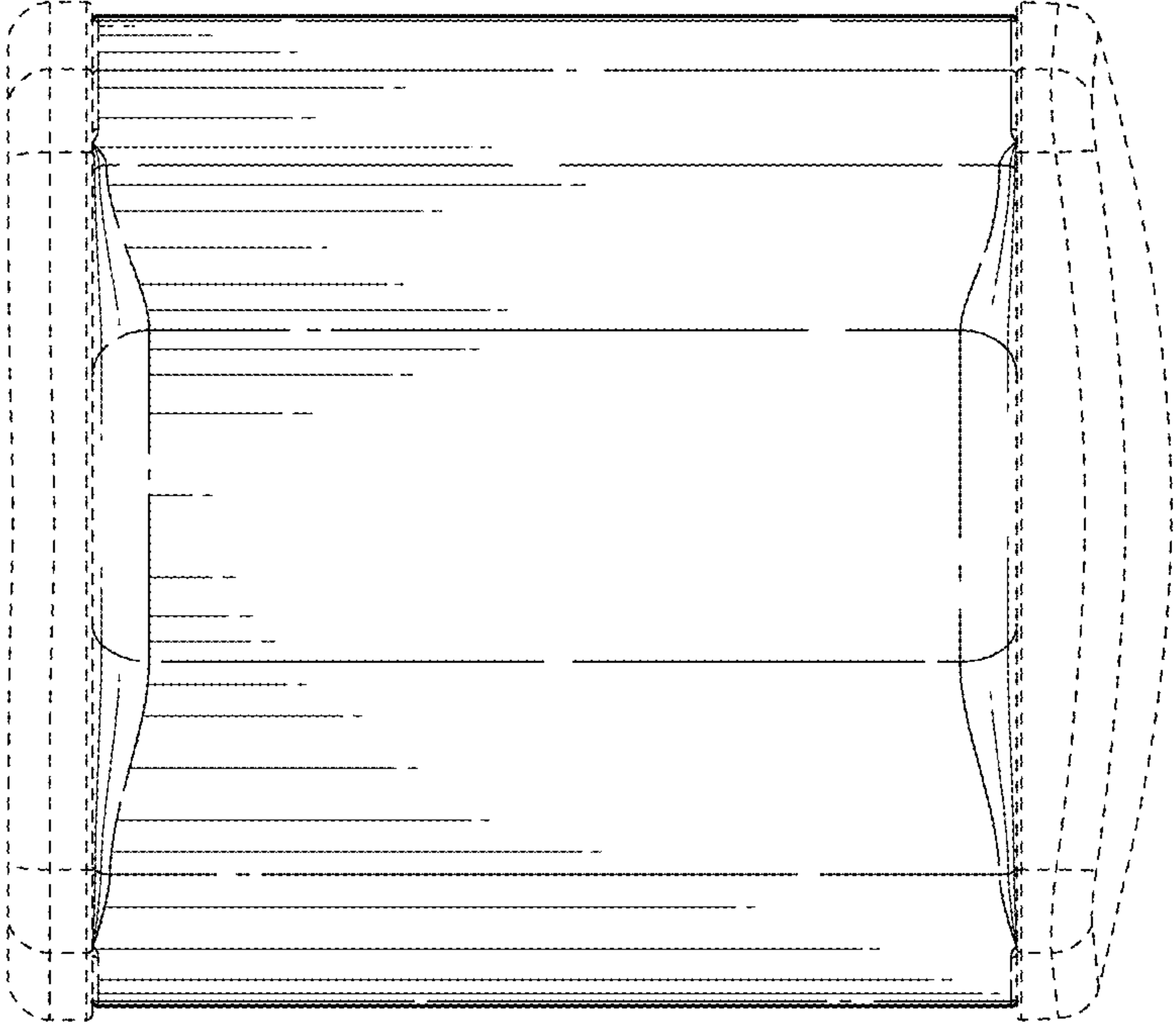


FIG. 4

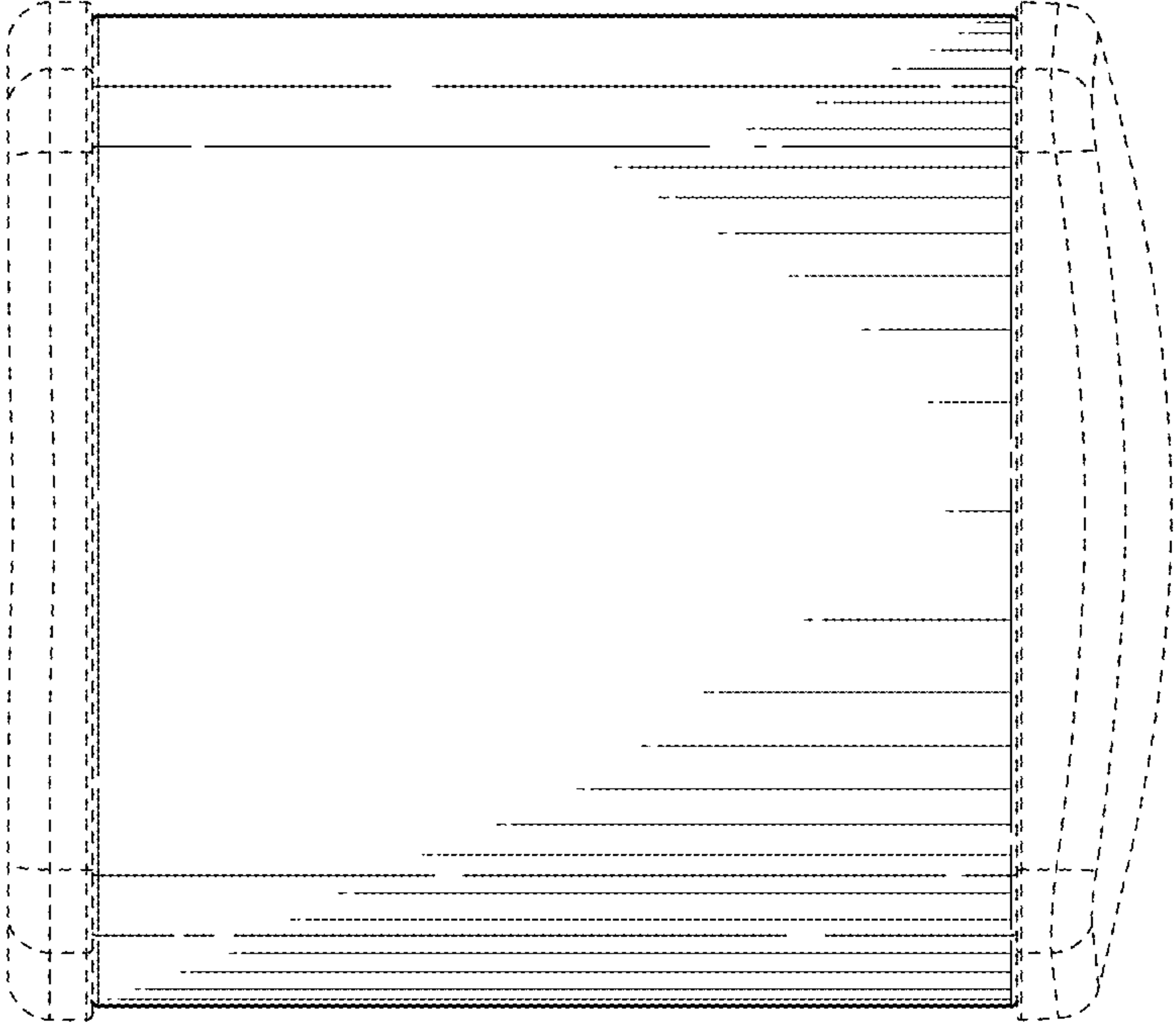


FIG. 5

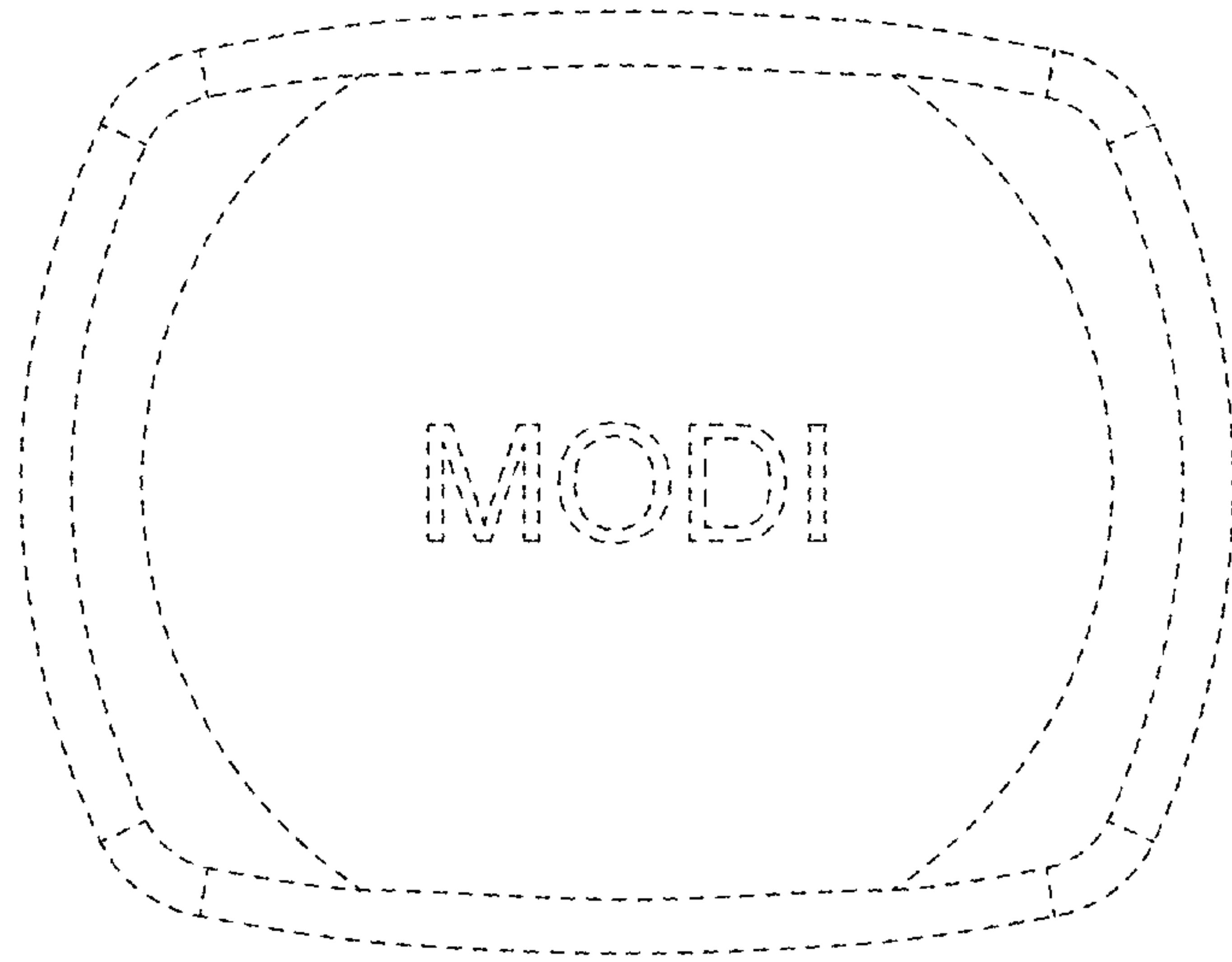


FIG. 6

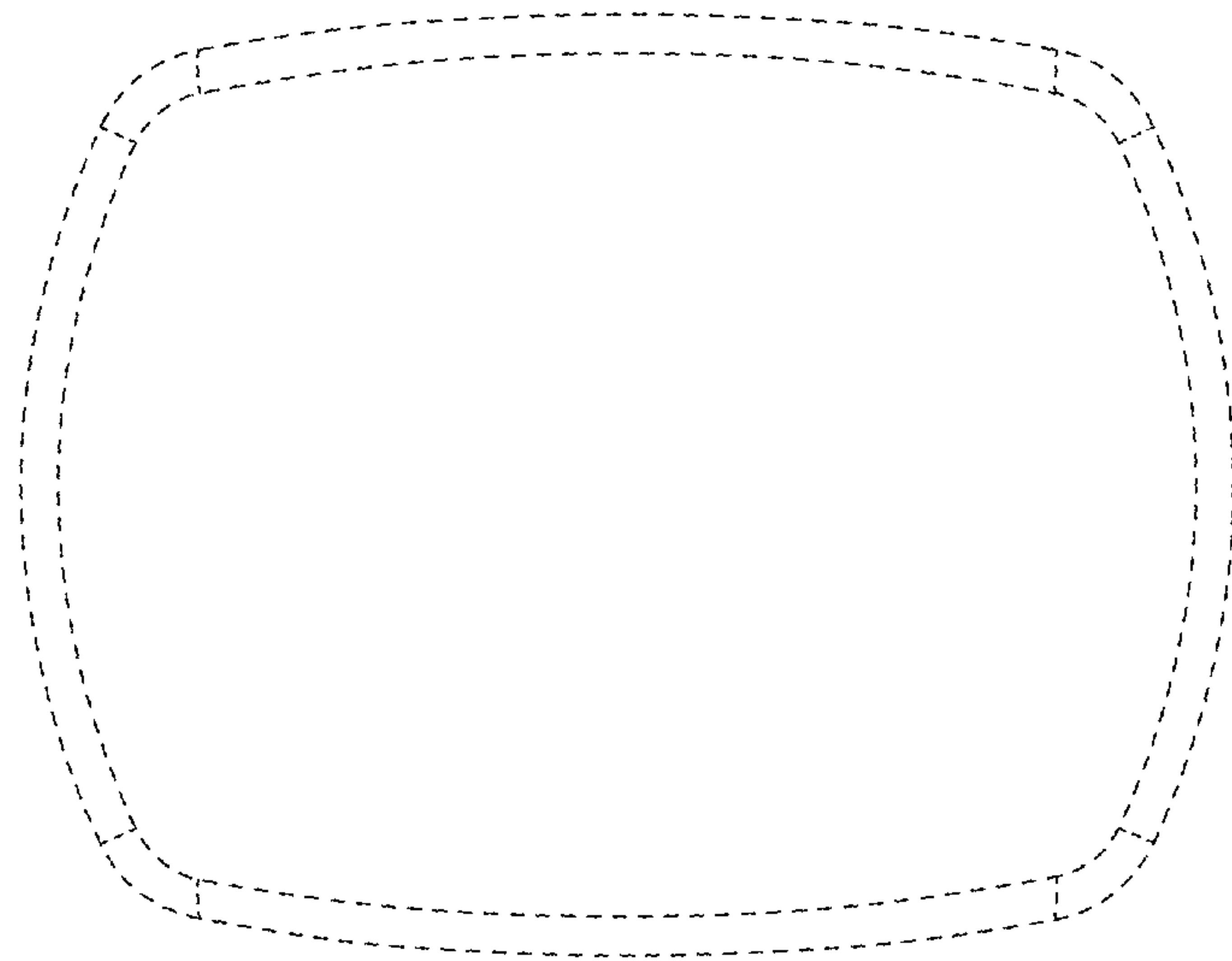


FIG. 7