



US00D879523S

(12) **United States Design Patent**  
**Lampela et al.**

(10) **Patent No.:** **US D879,523 S**  
(45) **Date of Patent:** **\*\* Mar. 31, 2020**

(54) **CHAIR**

(71) Applicant: **Office Depot, Inc.**, Boca Raton, FL (US)  
(72) Inventors: **Johannes Lampela**, Woodland Hills, CA (US); **Andre de Salis**, Pasadena, CA (US); **Tim Chuang**, Encino, CA (US); **Jirawat Jeanvigite**, Los Angeles, CA (US); **Alexandra McGill**, Los Angeles, CA (US); **Mike Trump**, Los Angeles, CA (US); **Ross Carmichael**, Everett, WA (US); **Ahmed Youssef**, Newbury Park, CA (US)

(73) Assignee: **Office Depot, Inc.**, Boca Raton, FL (US)

(\*\*) Term: **15 Years**

(21) Appl. No.: **29/627,133**

(22) Filed: **Nov. 22, 2017**

(51) **LOC (12) Cl.** ..... **06-01**

(52) **U.S. Cl.**  
USPC ..... **D6/716; D6/366**

(58) **Field of Classification Search**  
USPC ..... D6/334-336, 364, 365, 366, 374, 375, D6/379, 380, 716, 716.1, 716.2, 716.4  
CPC ..... A47C 7/002; A47C 7/004; A47C 7/02; A47C 7/18; A47C 7/24; A47C 7/282; A47C 7/285; A47C 7/40; A47C 7/44; A47C 7/54

See application file for complete search history.

(56) **References Cited**

U.S. PATENT DOCUMENTS

D493,627 S	*	8/2004	Ma	.....	D6/366
D540,080 S	*	4/2007	Su	.....	D6/716.4
D655,112 S	*	3/2012	Kubryk	.....	D6/716
D821,771 S	*	7/2018	Ciani	.....	D6/375

\* cited by examiner

*Primary Examiner* — Mimososa De  
(74) *Attorney, Agent, or Firm* — Greenberg Traurig, LLP

(57) **CLAIM**

The ornamental design for a chair, as shown and described.

**DESCRIPTION**

FIG. 1 is a front right perspective view of a chair showing a first embodiment of our new design;  
FIG. 2 is a front view of the first embodiment of the chair shown in FIG. 1;  
FIG. 3 is a rear view of the first embodiment of the chair shown in FIG. 1;  
FIG. 4 is a left side view of the first embodiment of the chair shown in FIG. 1;  
FIG. 5 is a right side view of the first embodiment of the chair shown in FIG. 1;  
FIG. 6 is a top view of the first embodiment of the chair shown in FIG. 1;  
FIG. 7 is a bottom plan view of the first embodiment of the chair shown in FIG. 1; and,  
FIG. 8 is a rear bottom perspective plan view of the first embodiment of the chair shown in FIG. 1.  
The broken lines are included to show features that form no part of the claimed design.

**1 Claim, 8 Drawing Sheets**

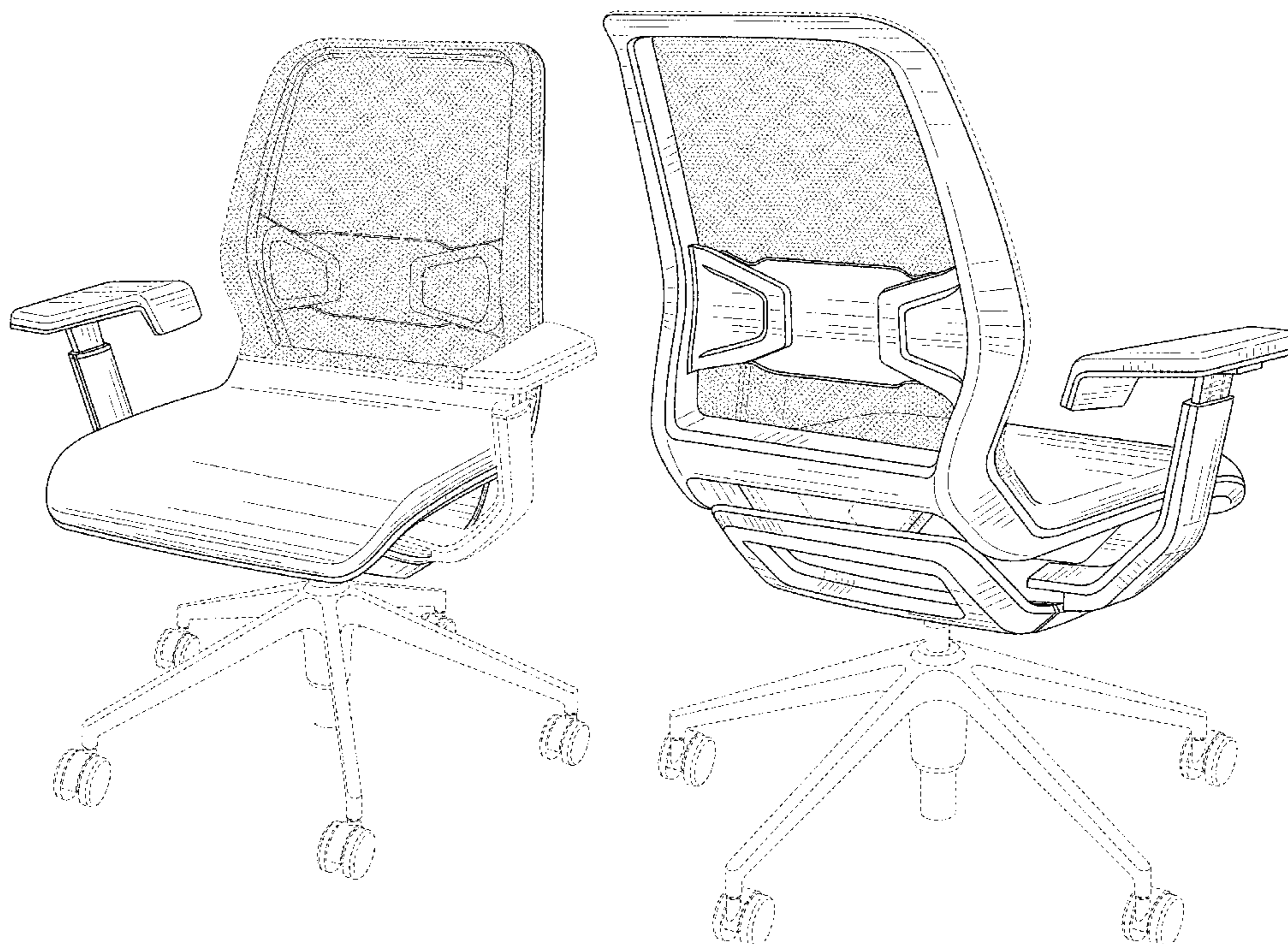




FIG. 1

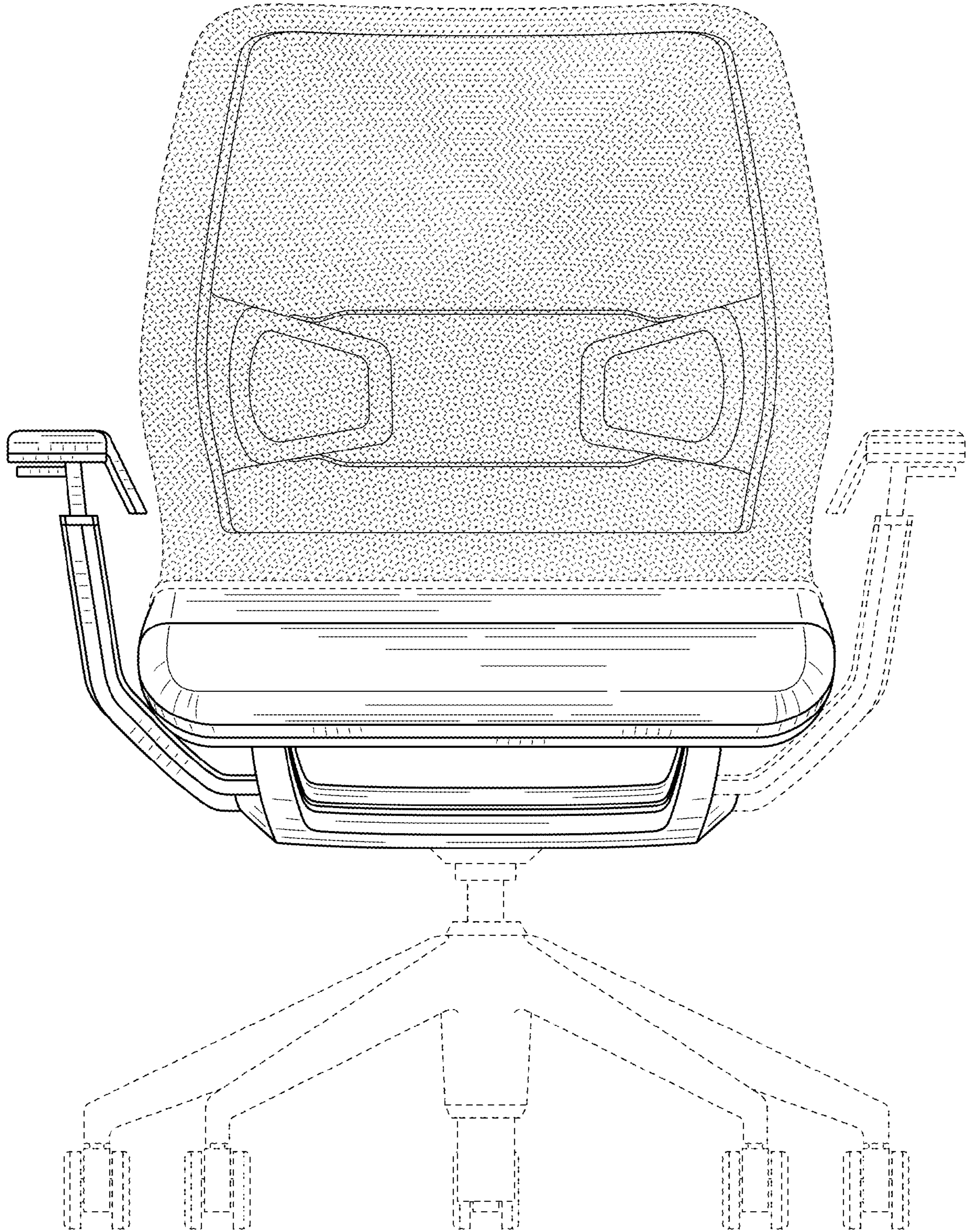


FIG. 2

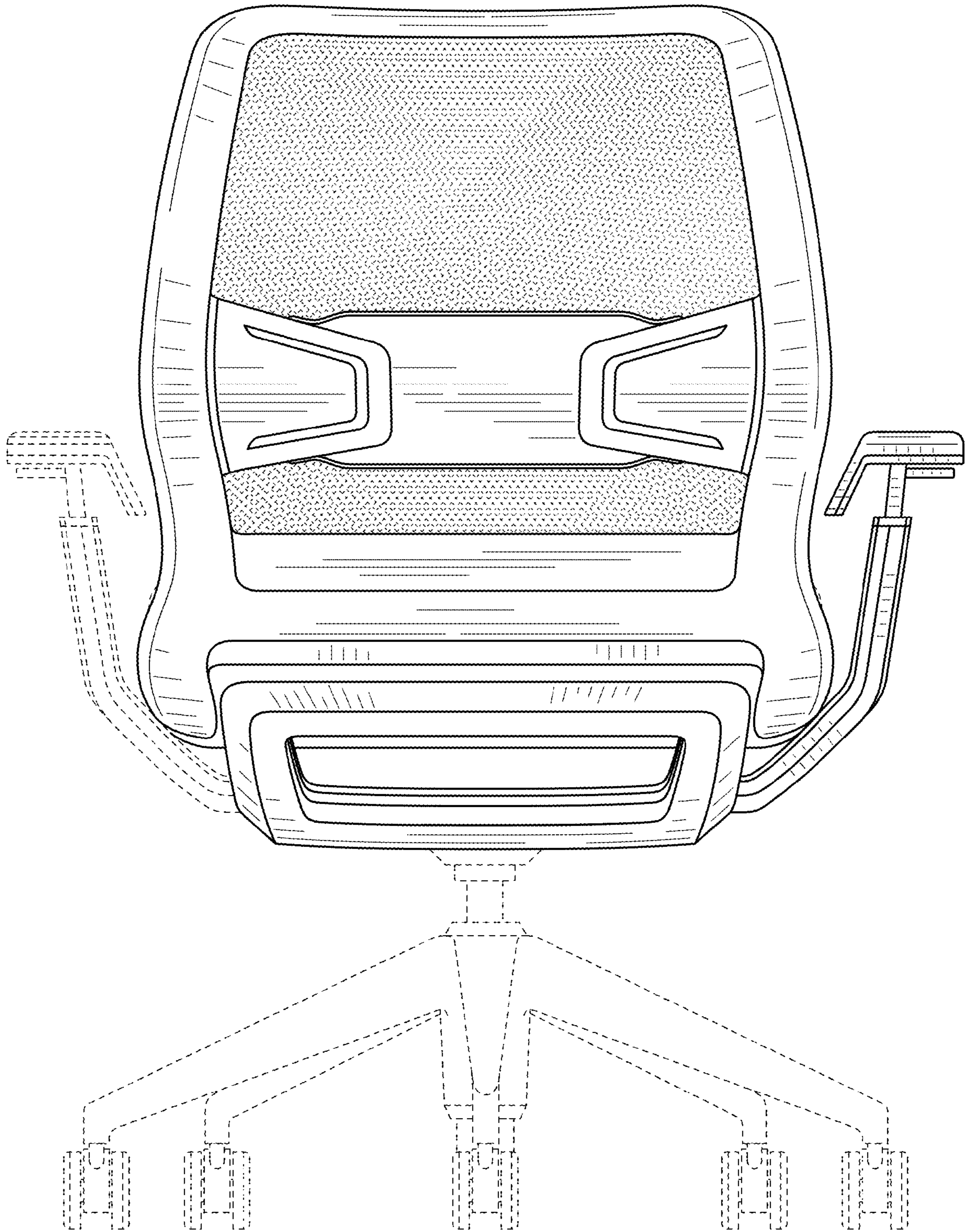


FIG. 3

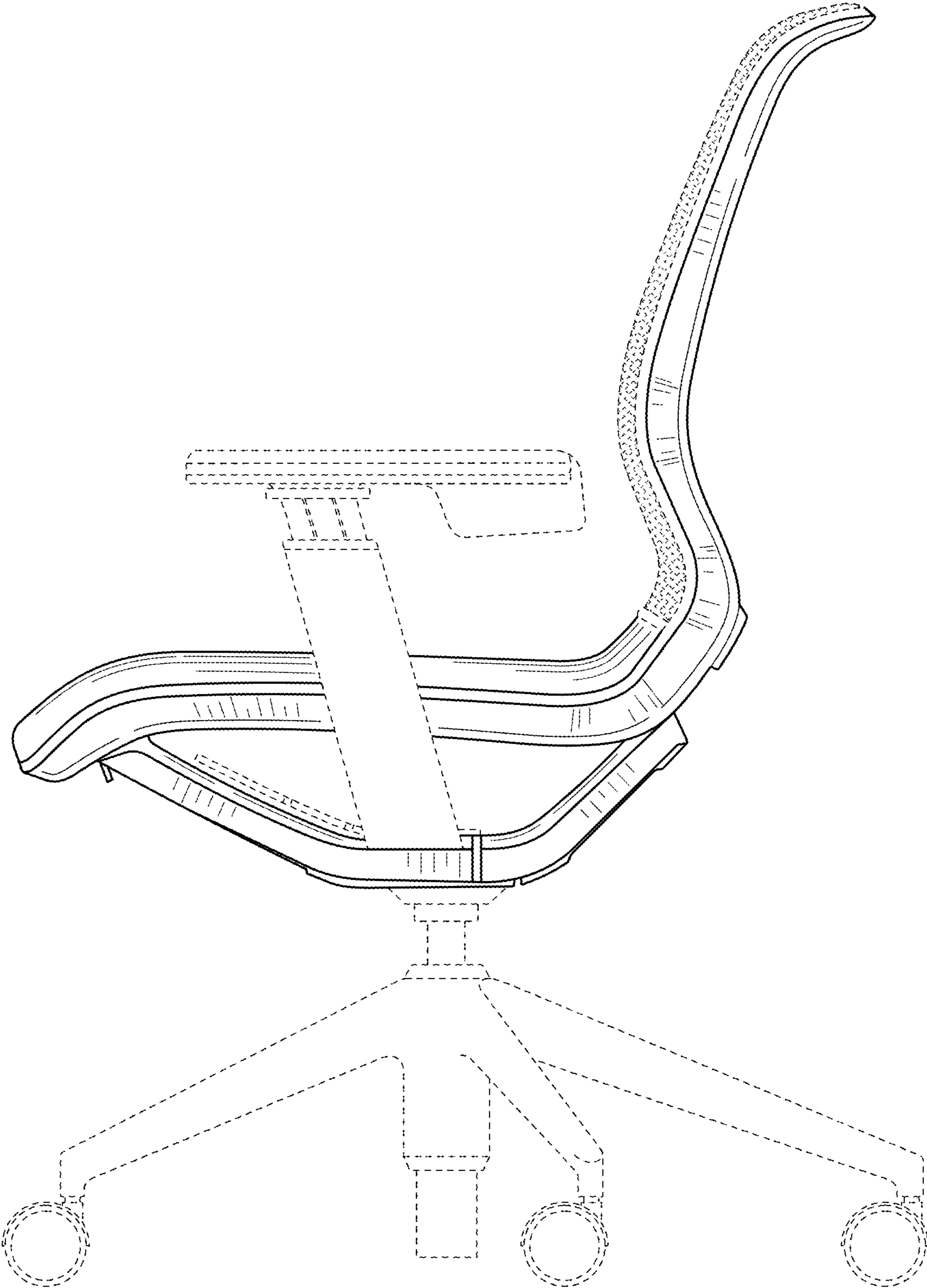


FIG. 4

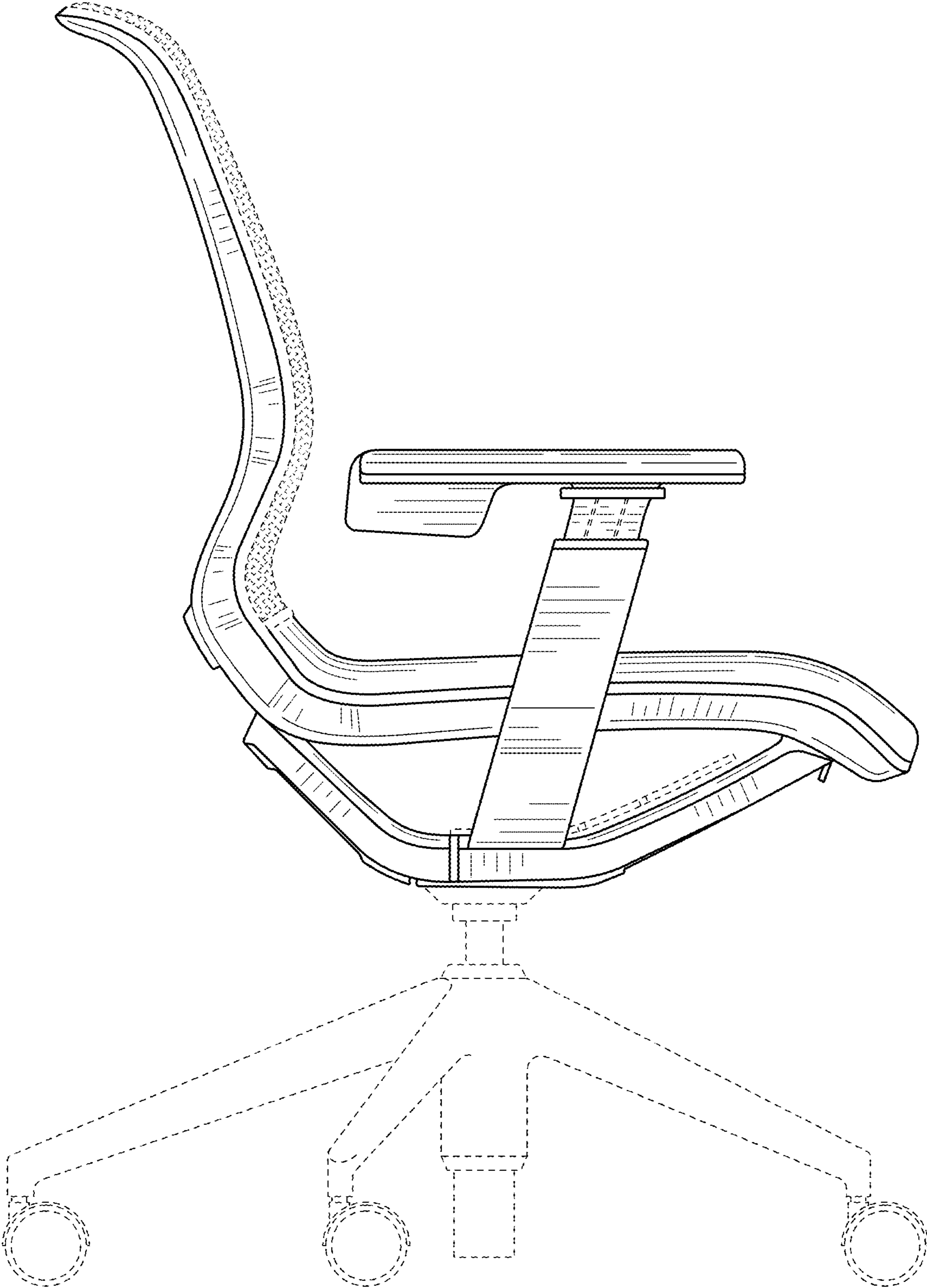


FIG. 5

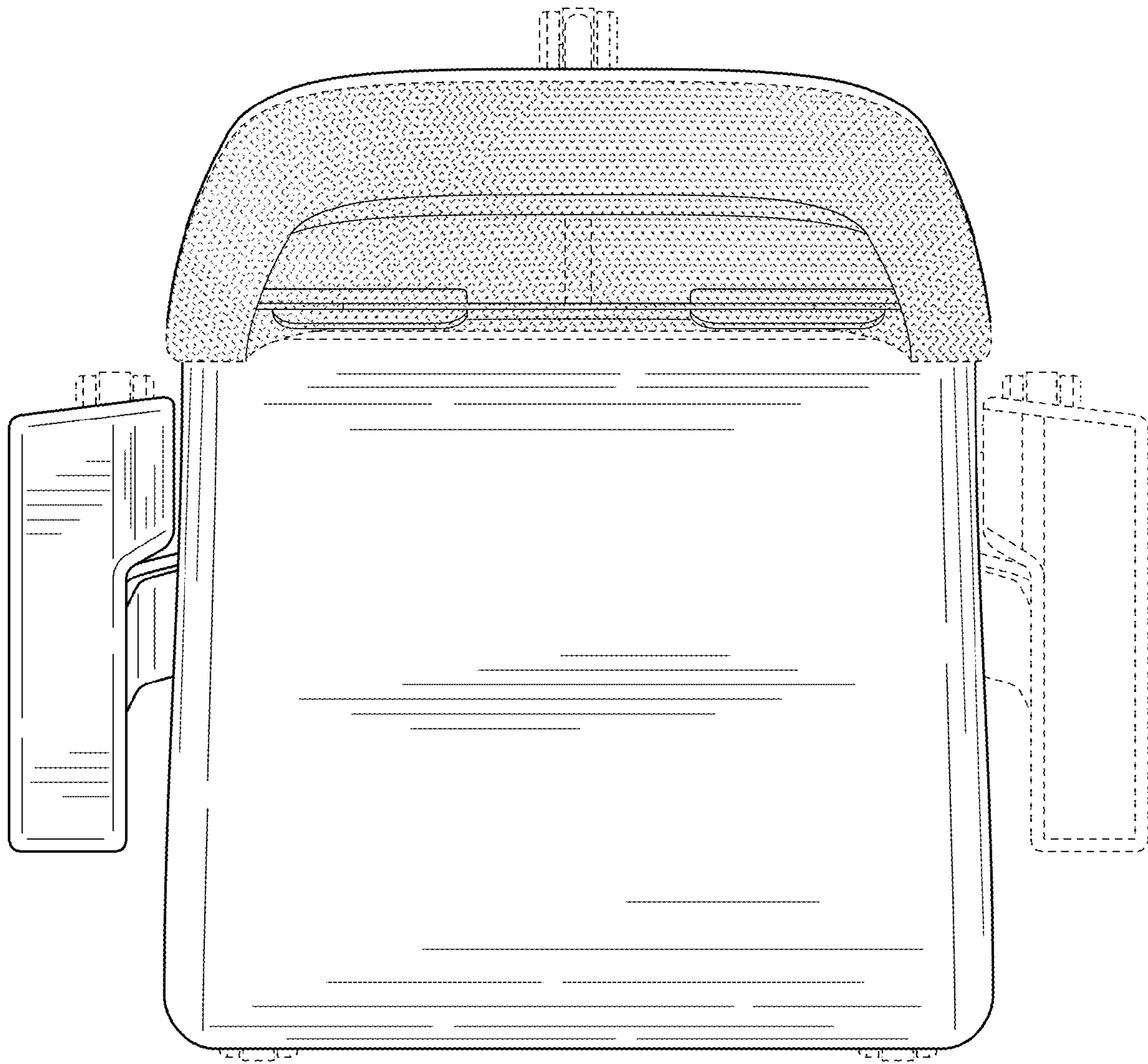


FIG. 6

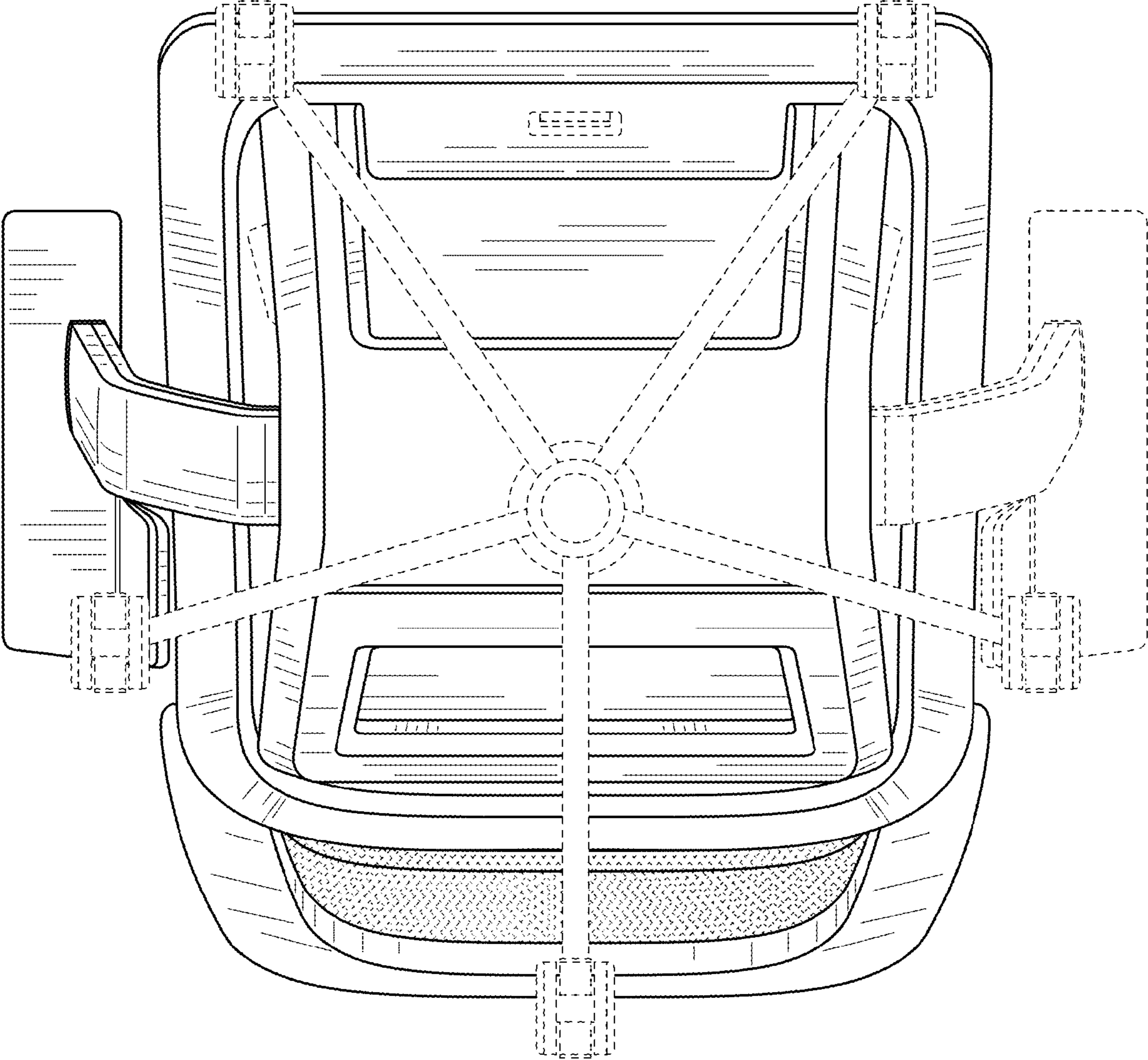


FIG. 7



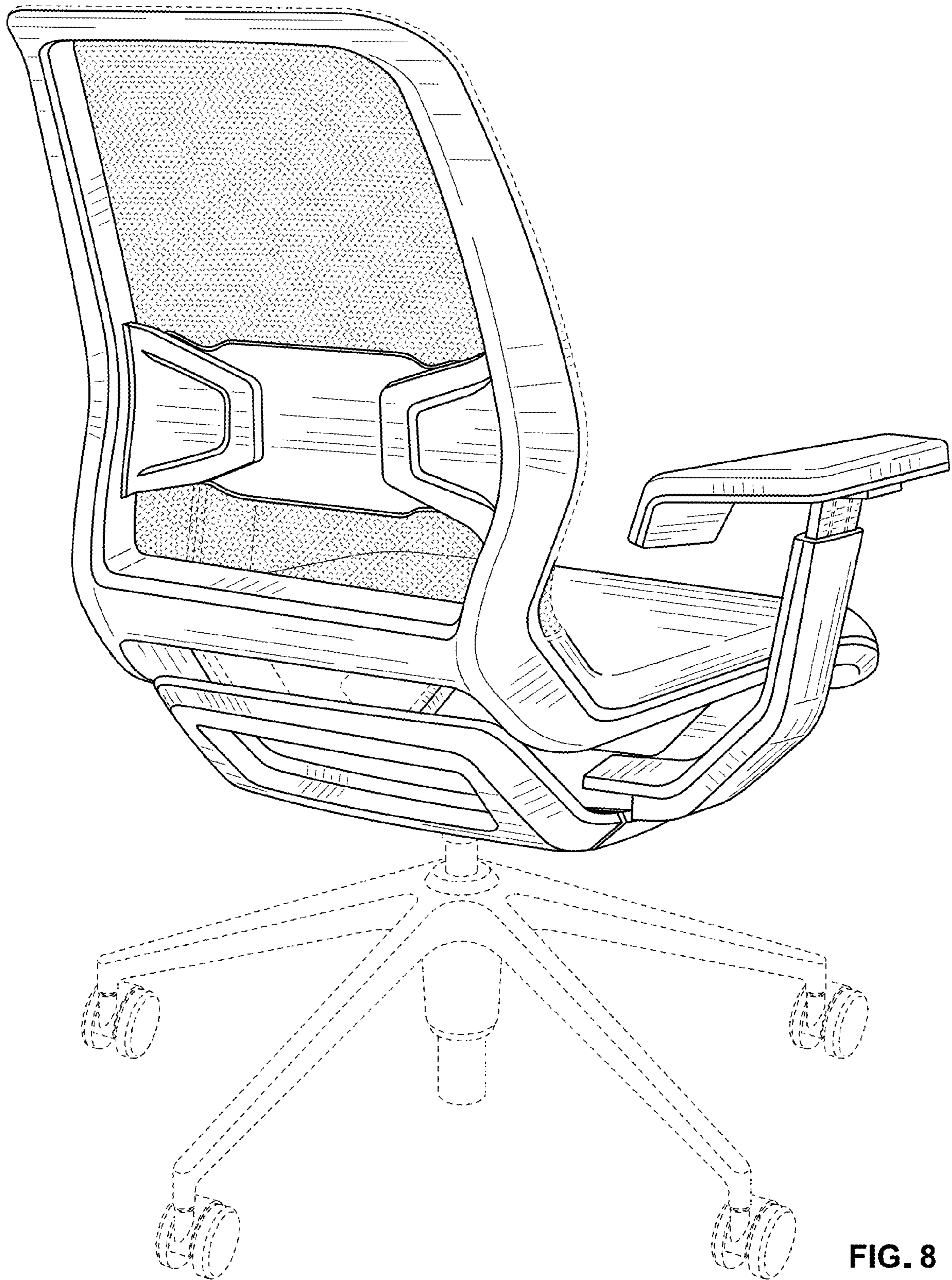


FIG. 8