



US00D879519S

(12) **United States Design Patent** (10) **Patent No.:** **US D879,519 S**  
**Schwalbach et al.** (45) **Date of Patent:** **\*\* Mar. 31, 2020**

(54) **DISPLAY STAND**

(56) **References Cited**

(71) Applicant: **Apple Inc.**, Cupertino, CA (US)  
(72) Inventors: **Charles A. Schwalbach**, Menlo Park, CA (US); **Sheng Yang**, Mountain View, CA (US); **Russell John Kaaihue Heirakuji**, Cupertino, CA (US); **Carly Lynn Marasco**, Los Gatos, CA (US); **Michael Gorman**, Dublin, CA (US)

U.S. PATENT DOCUMENTS

D214,768 S 7/1969 Hillis  
D244,857 S 6/1977 Hayes  
(Continued)

FOREIGN PATENT DOCUMENTS

JP D1430086 12/2011  
KR 30-0337376 11/2003

(73) Assignee: **Apple Inc.**, Cupertino, CA (US)

(\*\*) Term: **15 Years**

OTHER PUBLICATIONS

(21) Appl. No.: **29/701,163**

“Freedom Series,” Takachiho Koheki Co., Ltd., cited in Office Action dated Apr. 6, 2016, in Japanese Patent Application No. 2015-009263, Apple Inc., filed Apr. 24, 2015.

(22) Filed: **Aug. 8, 2019**

*Primary Examiner* — Kelley A Donnelly  
(74) *Attorney, Agent, or Firm* — Sterne, Kessler, Goldstein & Fox P.L.L.C.

**Related U.S. Application Data**

(63) Continuation of application No. 29/672,734, filed on Dec. 7, 2018, now Pat. No. Des. 856,045, which is a continuation of application No. 29/641,661, filed on Mar. 23, 2018, now Pat. No. Des. 835,440, which is a continuation of application No. 29/609,617, filed on Jul. 3, 2017, now Pat. No. Des. 813,576, which is a continuation of application No. 29/588,390, filed on Dec. 20, 2016, now Pat. No. Des. 791,521, and a continuation of application No. 29/588,391, filed on Dec. 20, 2016, now Pat. No. Des. 792,133, said application No. 29/588,390 is a continuation of application No. 29/564,382, filed on May 12, 2016, now Pat. No. Des. 777,482, said application No.  
(Continued)

(57) **CLAIM**

The ornamental design for a display stand, as shown and described.

(51) **LOC (12) Cl.** ..... **06-06**

(52) **U.S. Cl.**  
USPC ..... **D6/682.3**

**DESCRIPTION**

FIG. 1 is a top front perspective view of a display stand showing the claimed design.  
FIG. 2 is a front view thereof;  
FIG. 3 is a rear view thereof;  
FIG. 4 is a left side view thereof;  
FIG. 5 is a right side view thereof;  
FIG. 6 is a top view thereof; and,  
FIG. 7 is a bottom view thereof.

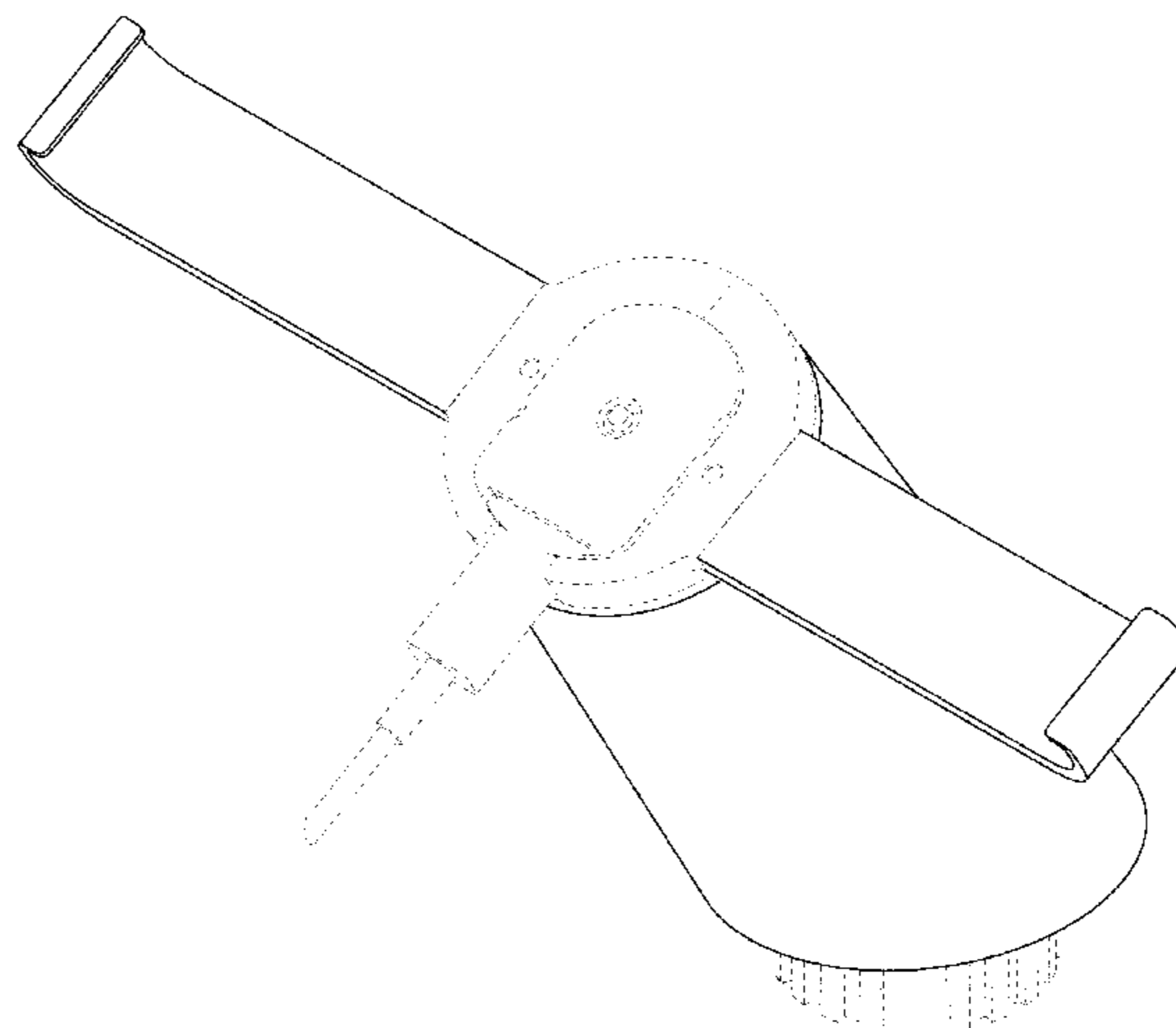
(58) **Field of Classification Search**  
USPC ..... D6/672–673, 512–513, 553, 682, 682.3;  
D14/457; D8/354; D16/200–202, 203,  
D16/208, 218, 219

The dashed broken lines in the figures show portions of the display stand or environment that form no part of the claimed design.

CPC ..... A47B 2097/005; A47B 2097/006; A47F 5/0081; A47F 5/04; A47F 5/12  
See application file for complete search history.

The dot-dash broken lines in the figures show boundaries of claimed areas and form no part of the claimed design.

**1 Claim, 7 Drawing Sheets**



**Related U.S. Application Data**

29/588,391 is a continuation of application No. 29/564,382, filed on May 12, 2016, now Pat. No. Des. 777,482, which is a continuation of application No. 29/537,088, filed on Aug. 21, 2015, now Pat. No. Des. 756,152, which is a continuation of application No. 29/507,269, filed on Oct. 24, 2014, now Pat. No. Des. 737,081.

(56)

**References Cited**

U.S. PATENT DOCUMENTS

D250,801 S 1/1979 Bergen et al.  
 D268,743 S 4/1983 Lubin  
 D314,501 S 2/1991 Pagano  
 D367,408 S 2/1996 Fordyce  
 D393,959 S 5/1998 Geier et al.  
 D407,408 S 3/1999 Hoff  
 D413,035 S 8/1999 Weterrings et al.  
 6,109,569 A 8/2000 Sakaida  
 D446,043 S 8/2001 Stoppenhagen et al.  
 6,476,717 B1 11/2002 Gross et al.  
 D485,710 S 1/2004 Burkhart et al.  
 D488,741 S 4/2004 Moya  
 D490,559 S 5/2004 Small  
 D510,358 S 10/2005 Ezure  
 D510,822 S 10/2005 Spiers et al.  
 7,209,038 B1 4/2007 Deconinck et al.  
 D542,279 S 5/2007 Chan  
 D545,826 S 7/2007 Richter  
 D588,438 S 3/2009 Keller  
 D589,962 S 4/2009 Maruyama et al.  
 D590,184 S 4/2009 Barabas et al.  
 D599,241 S 9/2009 Andre et al.  
 D608,718 S 1/2010 Nas et al.  
 D612,837 S 3/2010 Murray  
 7,724,135 B2 5/2010 Rapp et al.  
 D617,383 S 6/2010 Yoon  
 7,740,214 B2 6/2010 Marsilio et al.  
 7,748,669 B2 7/2010 Lu et al.  
 D628,203 S 11/2010 Noble  
 D629,405 S 12/2010 Crysell  
 D633,973 S 3/2011 Ringl  
 D641,610 S 7/2011 Sedalo  
 D645,047 S 9/2011 Wike  
 8,020,816 B2 9/2011 Laitila et al.  
 D647,726 S 11/2011 Strauch  
 D652,422 S 1/2012 Cheng  
 8,087,625 B2 1/2012 Chang  
 8,145,821 B2 3/2012 Mead et al.  
 D663,972 S 7/2012 Alexander et al.

D673,960 S 1/2013 Lindfield et al.  
 D681,974 S 5/2013 Naples et al.  
 D682,814 S 5/2013 Kadivar et al.  
 D685,253 S 7/2013 Hiebert  
 D685,806 S \* 7/2013 Kim ..... D14/451  
 D687,440 S 8/2013 Shieh  
 D695,714 S 12/2013 Lee  
 D696,259 S 12/2013 Howarth et al.  
 D696,674 S 12/2013 Vogel  
 D703,657 S 4/2014 Camevali  
 D704,199 S 5/2014 Byun  
 D709,066 S 7/2014 Byun  
 D709,357 S 7/2014 Bell  
 D709,607 S 7/2014 Wang  
 D720,752 S 1/2015 Bleads  
 D721,510 S 1/2015 Hagerty  
 D728,576 S 5/2015 David et al.  
 D729,043 S 5/2015 Poppell  
 D731,496 S 6/2015 Voorhees  
 D733,967 S 7/2015 Schlatter  
 D734,746 S 7/2015 Vogel  
 D735,162 S 7/2015 Allen  
 D737,081 S 8/2015 Schwalbach et al.  
 D741,093 S 10/2015 McKinney et al.  
 D743,941 S 11/2015 Patsis  
 D744,621 S 12/2015 Shavatt et al.  
 D756,152 S 5/2016 Schwalbach et al.  
 D763,263 S 8/2016 Wierenga  
 D764,478 S 8/2016 Radmard  
 D769,852 S 10/2016 Godycki et al.  
 D771,614 S 11/2016 Chang  
 D775,874 S 1/2017 Huang  
 D789,373 S 6/2017 King  
 D792,133 S 7/2017 Schwalbach et al.  
 D798,636 S 10/2017 Van Lanningham, Jr.  
 D803,208 S 11/2017 Cai  
 D803,840 S 11/2017 Burmester  
 D806,455 S 1/2018 Hendren  
 D837,223 S \* 1/2019 Wu ..... D14/451  
 D841,373 S 2/2019 Akana et al.  
 2004/0084579 A1 \* 5/2004 Lee ..... F16M 11/08  
 248/125.1  
 2006/0198692 A1 9/2006 Petit  
 2009/0218240 A1 9/2009 Allen et al.  
 2011/0047844 A1 3/2011 Fawcett et al.  
 2011/0068919 A1 3/2011 Rapp et al.  
 2011/0084838 A1 4/2011 Fawcett  
 2011/0187531 A1 8/2011 Oehl et al.  
 2012/0188082 A1 7/2012 Berglund et al.  
 2012/0280810 A1 11/2012 Wheeler  
 2014/0106608 A1 4/2014 Howarth et al.  
 2014/0138419 A1 5/2014 Minn et al.  
 2015/0021458 A1 1/2015 Zorovich et al.

\* cited by examiner

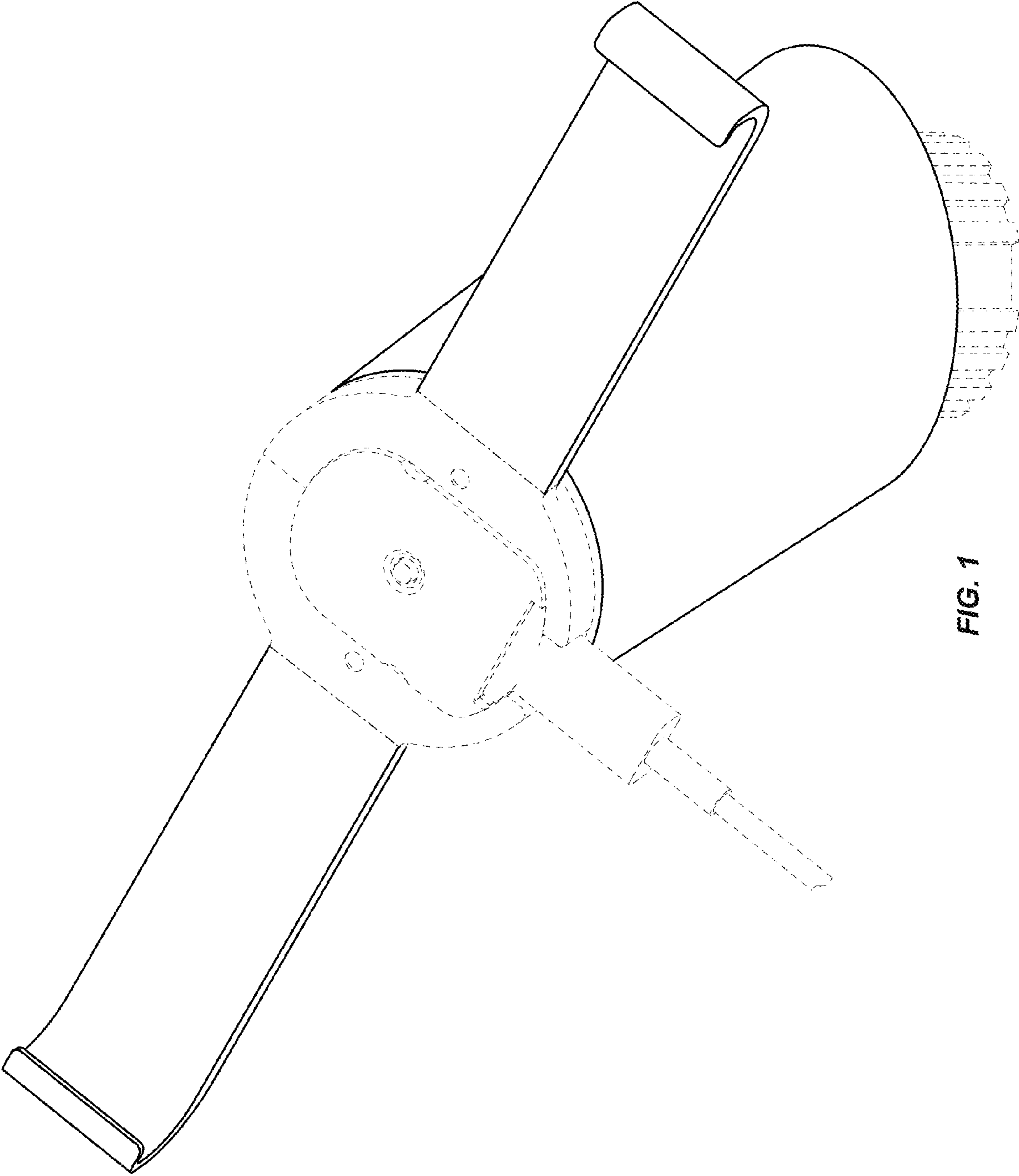


FIG. 1

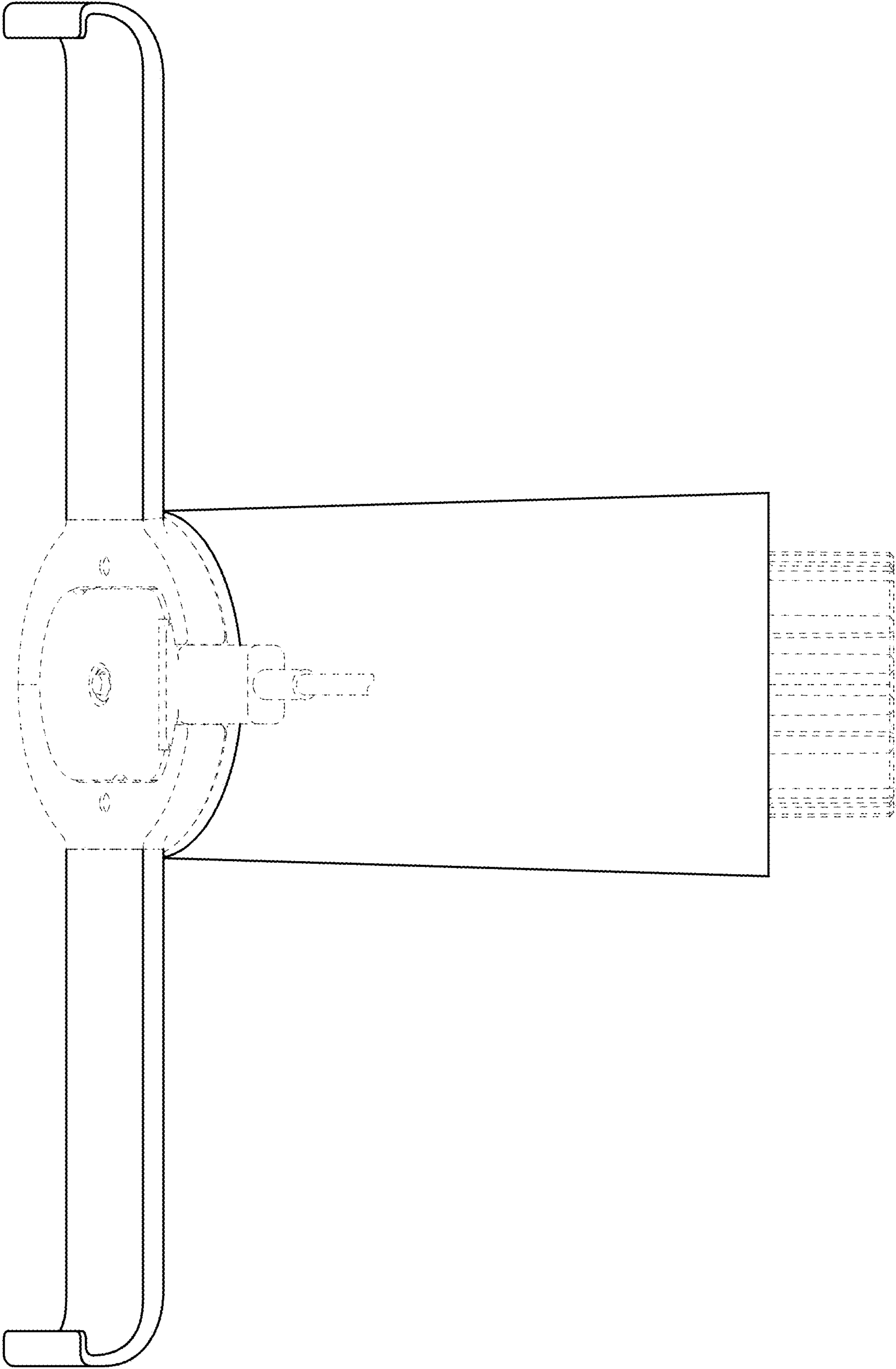


FIG. 2

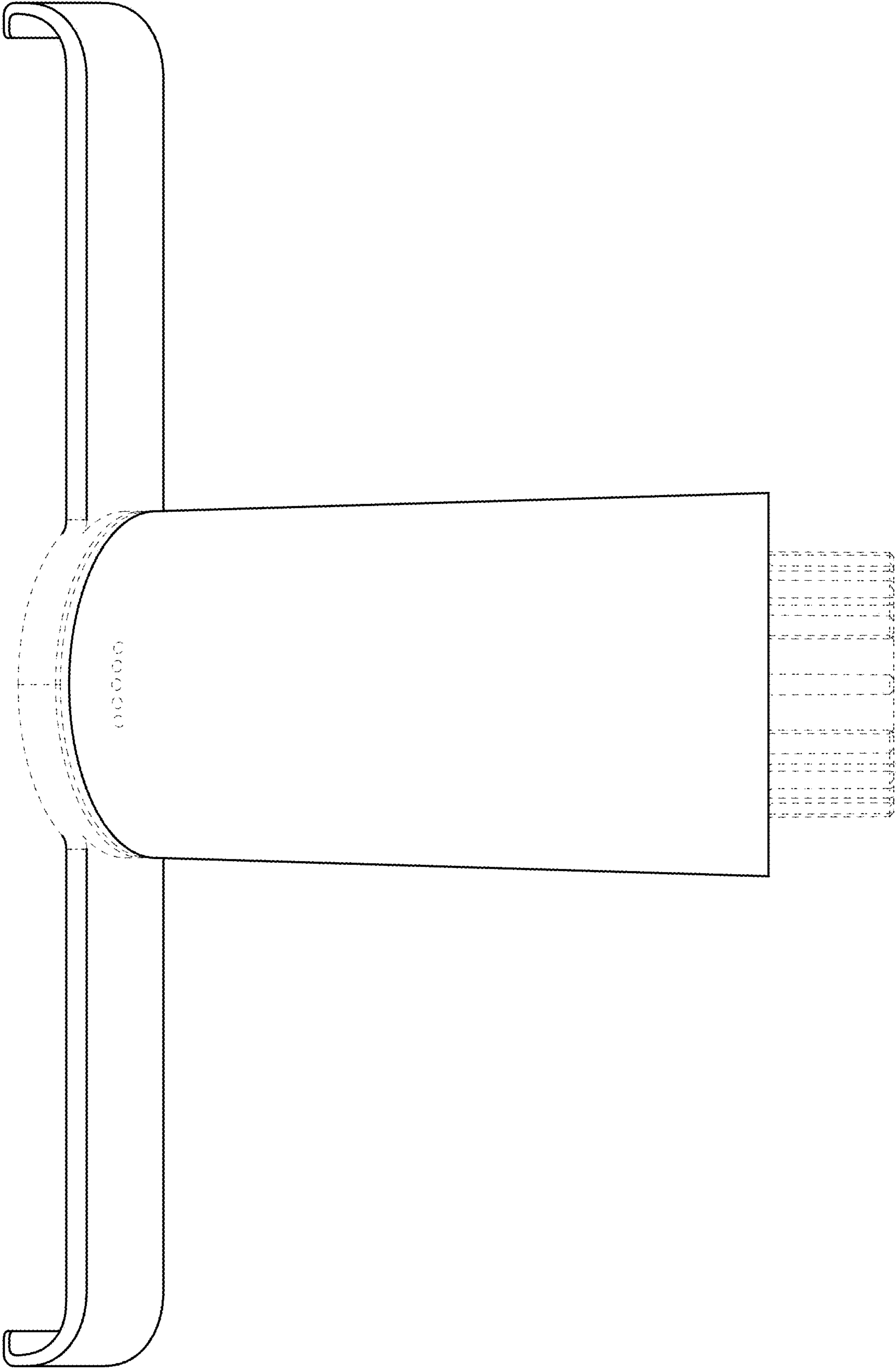


FIG. 3

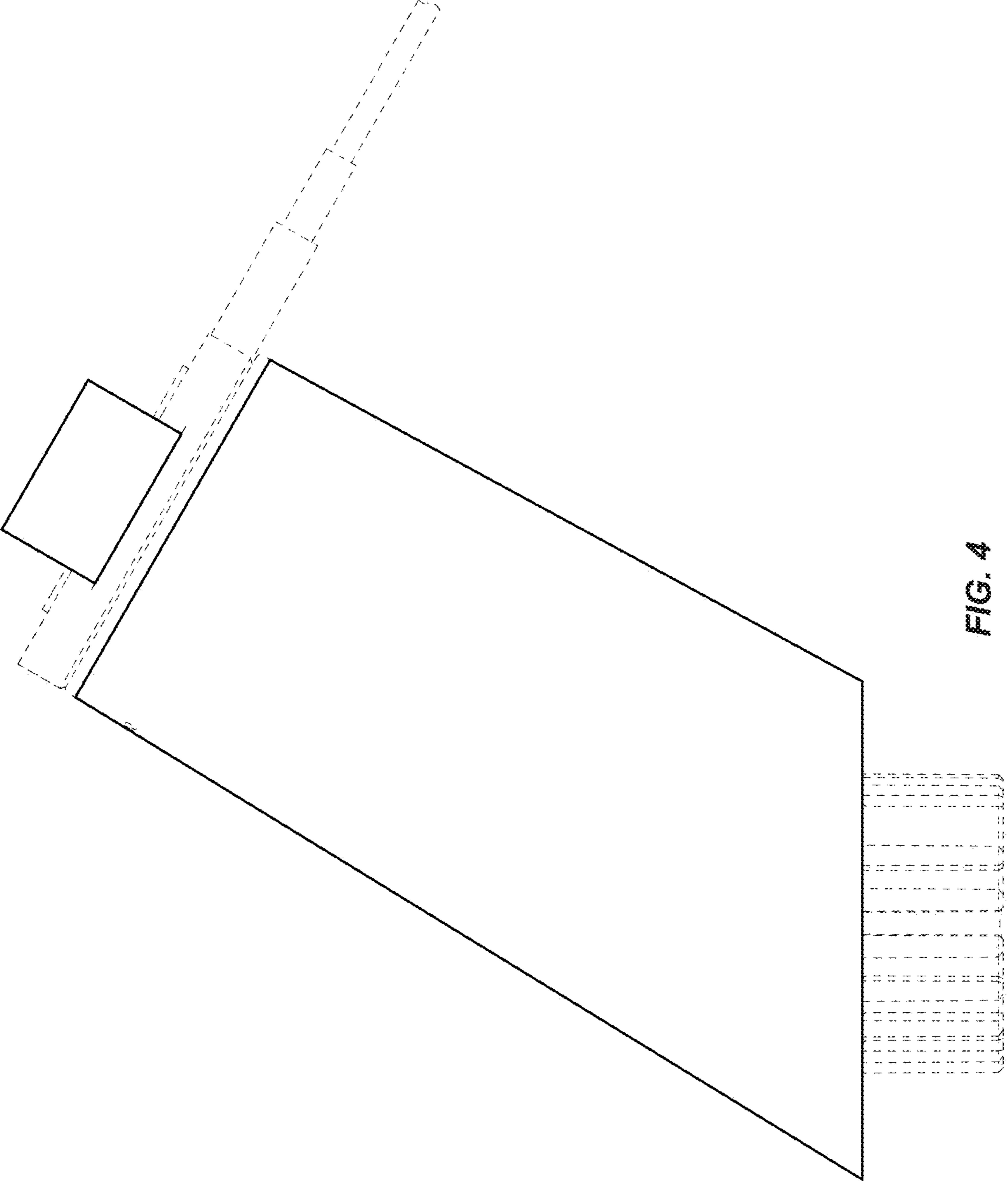


FIG. 4

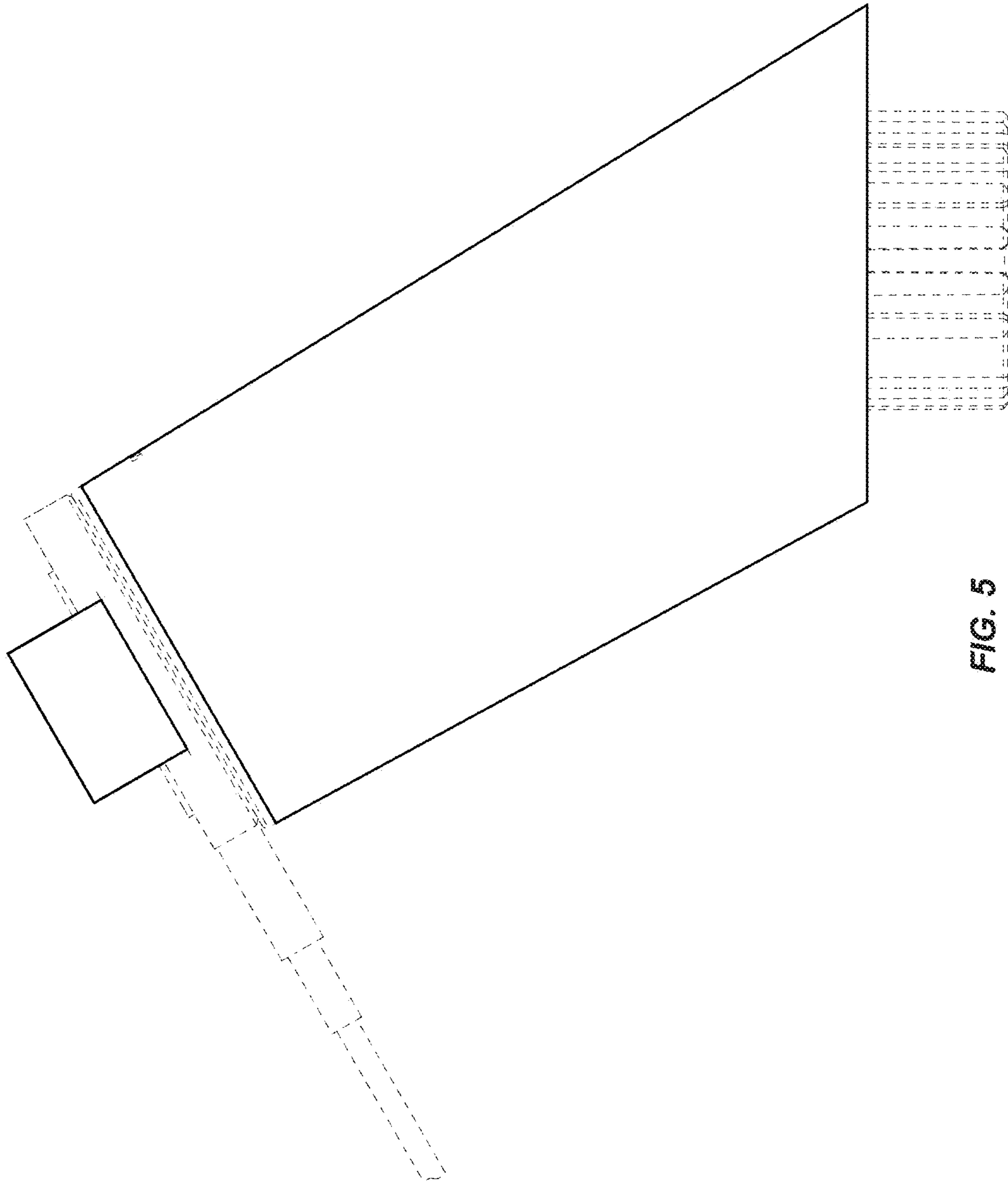
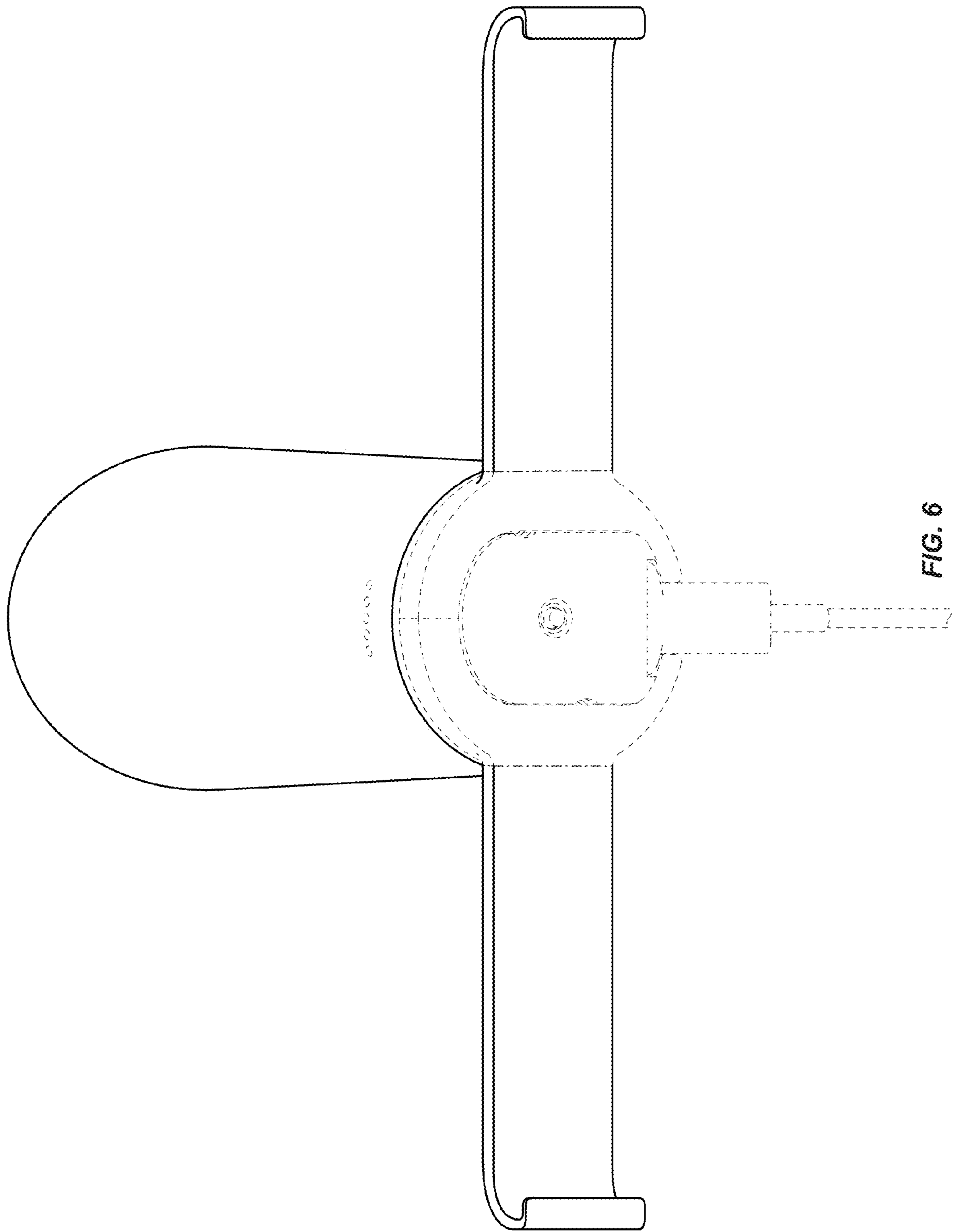


FIG. 5





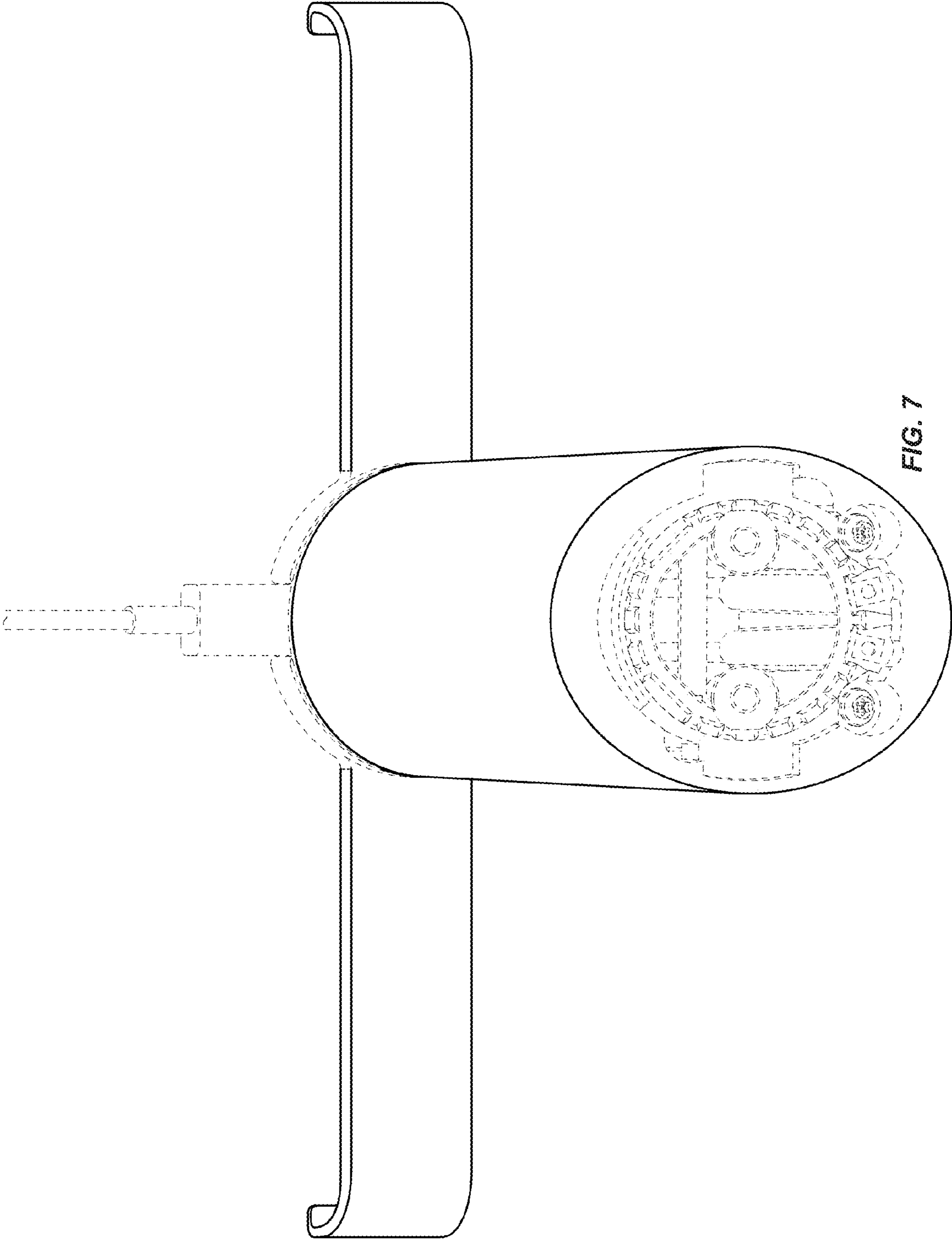


FIG. 7