



US00D879518S

(12) **United States Design Patent**
Shalit

(10) **Patent No.:** **US D879,518 S**

(45) **Date of Patent:** **** Mar. 31, 2020**

(54) **BARTENDING STAND**

(71) Applicant: **SAVANTSYS LTD.**, Hertzeliya (IL)

(72) Inventor: **Guy Shalit**, Hertzeliya (IL)

(73) Assignee: **SAVANTSYS LTD.**, Hertzeliya (IL)

(**) Term: **15 Years**

(21) Appl. No.: **29/668,968**

(22) Filed: **Nov. 4, 2018**

(51) **LOC (12) Cl.** **06-06**

(52) **U.S. Cl.**
USPC **D6/682.2**

(58) **Field of Classification Search**
USPC D6/672, 678, 678.2, 682, 682.1, 682.2,
D6/682.3, 683.4; D3/304-305, 313-316
CPC A47B 73/00; A47B 81/00; A47F 5/0018;
A47F 5/16; A47F 7/28; A47F 7/283
See application file for complete search history.

(56) **References Cited**

U.S. PATENT DOCUMENTS

D162,766 S *	4/1951	Wray	D28/86
D289,974 S *	5/1987	Hamilton	D9/418
D302,738 S *	8/1989	Doyle	D28/38
4,973,018 A *	11/1990	Agor	A47K 1/09 211/75
D381,515 S *	7/1997	Haynes	D24/224
D505,841 S *	6/2005	Fiedeler	D6/525
D647,667 S *	10/2011	Siklosi	D30/130
D704,261 S *	5/2014	Kim	D19/85
D705,618 S *	5/2014	Reid, Jr.	D7/701

D762,404 S *	8/2016	Williams	D6/682.2
D796,277 S *	9/2017	Stiffel	D7/701
D811,833 S *	3/2018	Thurrow	D7/706
D813,578 S *	3/2018	Polvadore	D6/682.2
D817,105 S *	5/2018	Stuart	D7/600.1
D820,782 S *	6/2018	Wang	D13/107
D821,122 S *	6/2018	Wang	D6/682
D831,479 S *	10/2018	Lylyk	D9/432
D840,100 S *	2/2019	Gonzalez	D28/38
D847,269 S *	4/2019	Leung	D21/470
D857,430 S *	8/2019	Ravid	D6/682.2
2016/0303661 A1 *	10/2016	Rooney	B23B 49/02

* cited by examiner

Primary Examiner — Kelley A Donnelly

(74) *Attorney, Agent, or Firm* — The Roy Gross Law Firm, LLC; Roy Gross

(57) **CLAIM**

The ornamental design for bartending stand, as shown and described.

DESCRIPTION

FIG. 1 is a top view of a bartending stand in accordance with the new design;
FIG. 2 is a bottom view thereof;
FIG. 3 is a front view thereof;
FIG. 4 is a rear view thereof;
FIG. 5 is a front right perspective view thereof;
FIG. 6 is a rear right perspective view thereof and;
FIG. 7 is a side view thereof; and,
FIG. 8 is a top perspective view thereof.

1 Claim, 8 Drawing Sheets

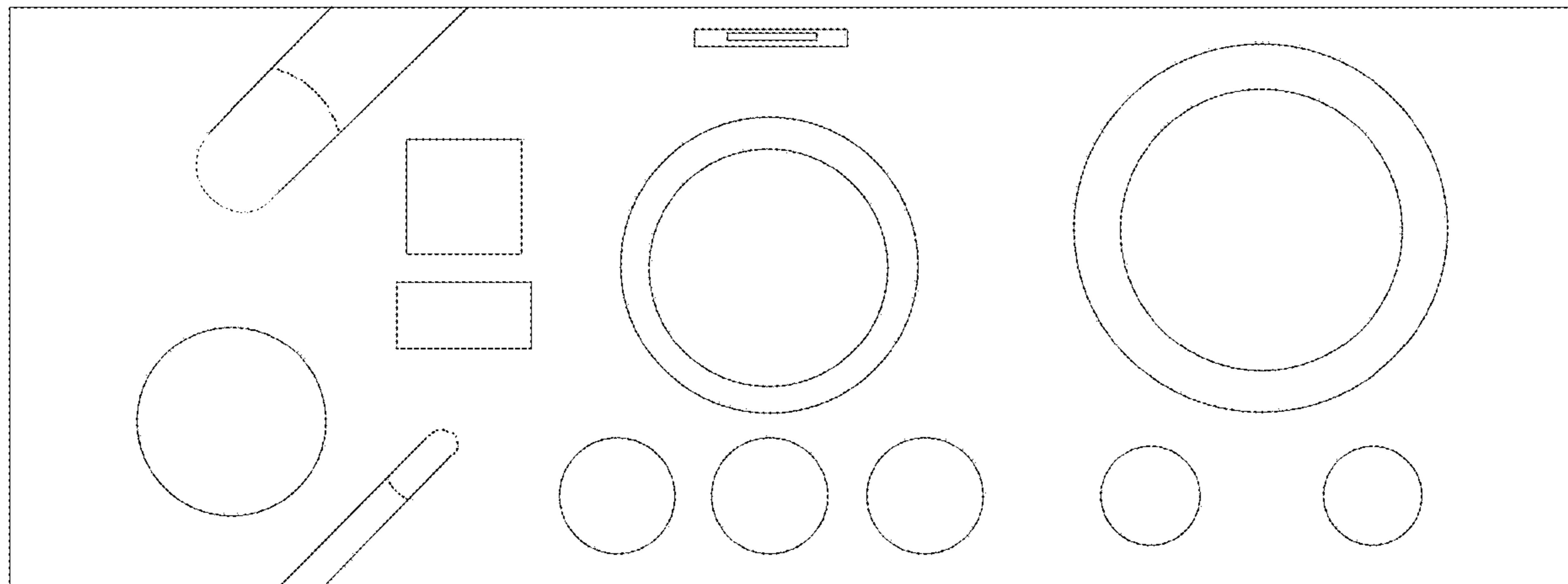


FIGURE 1

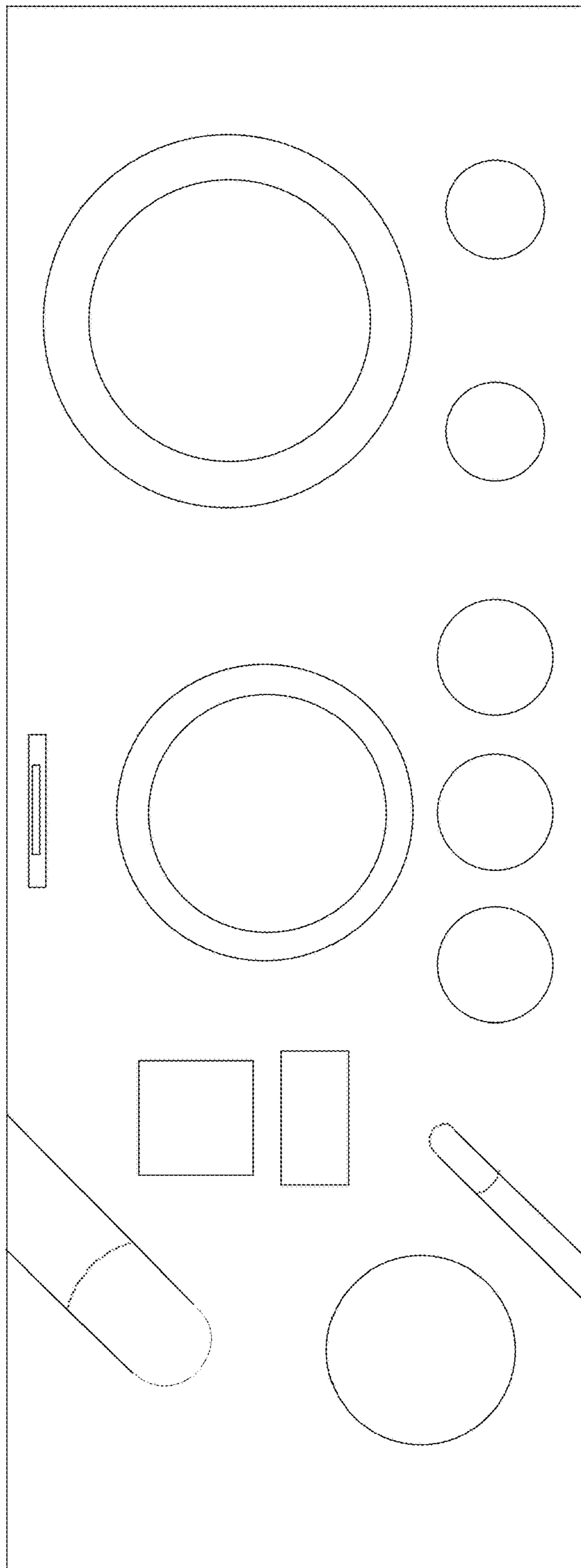


FIGURE 2

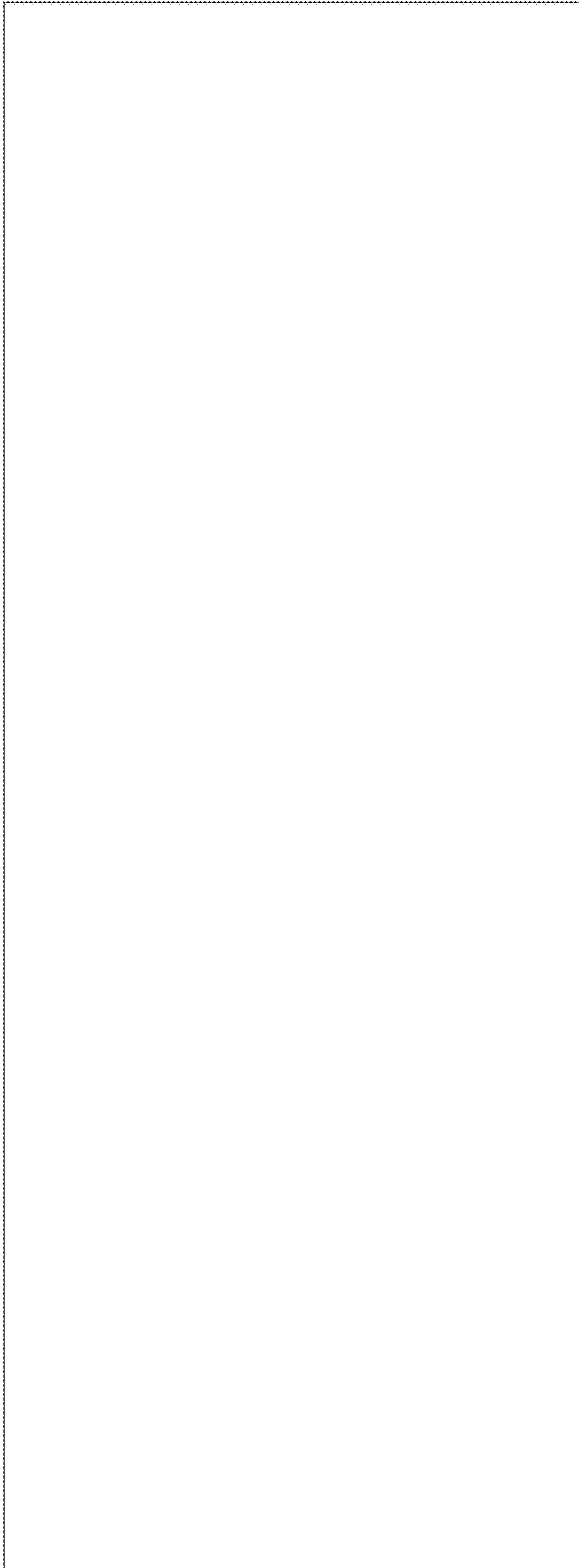


FIGURE 3

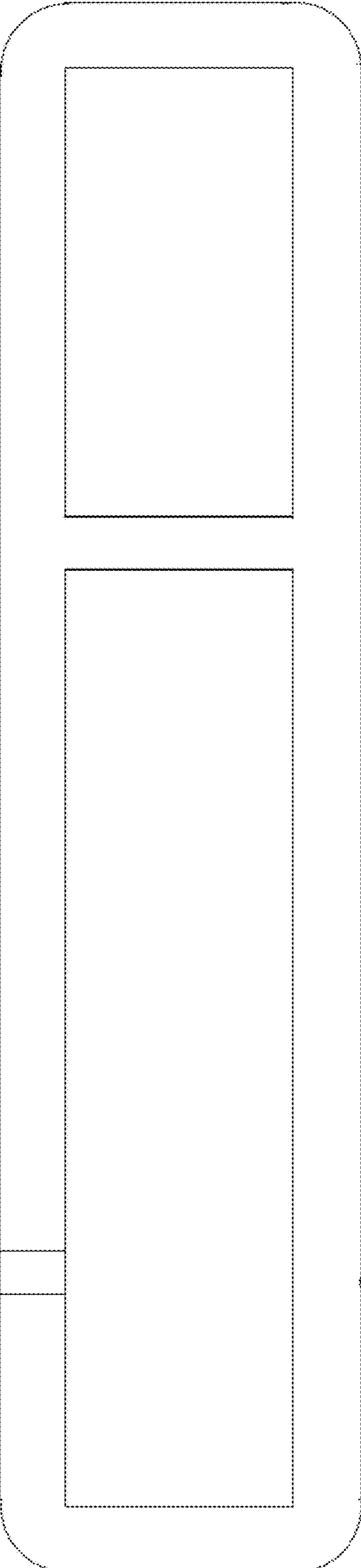


FIGURE 4

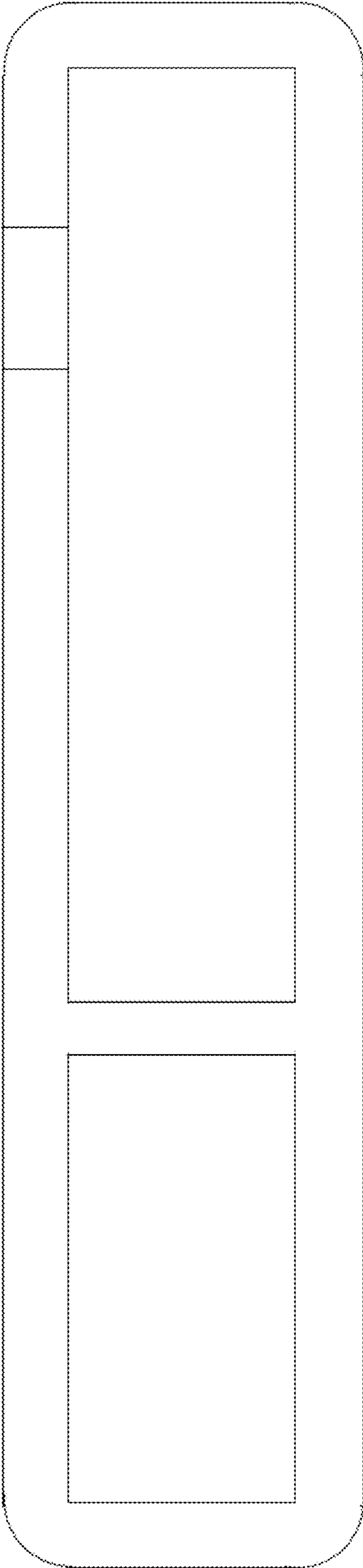


FIGURE 5

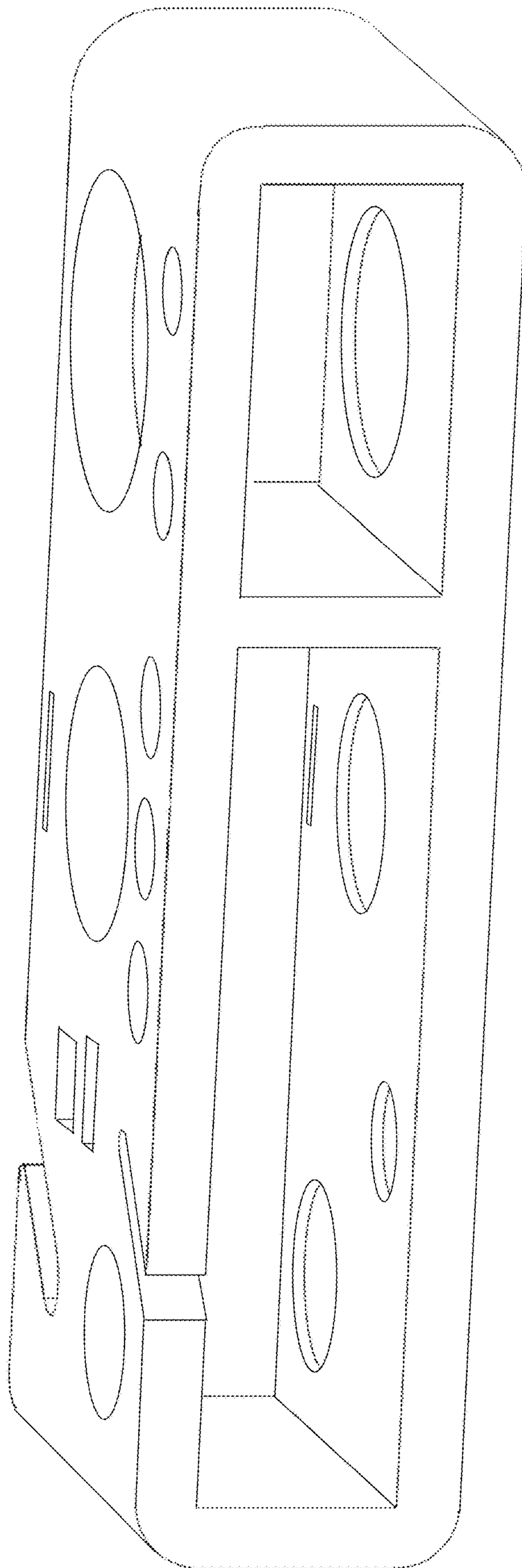


FIGURE 6

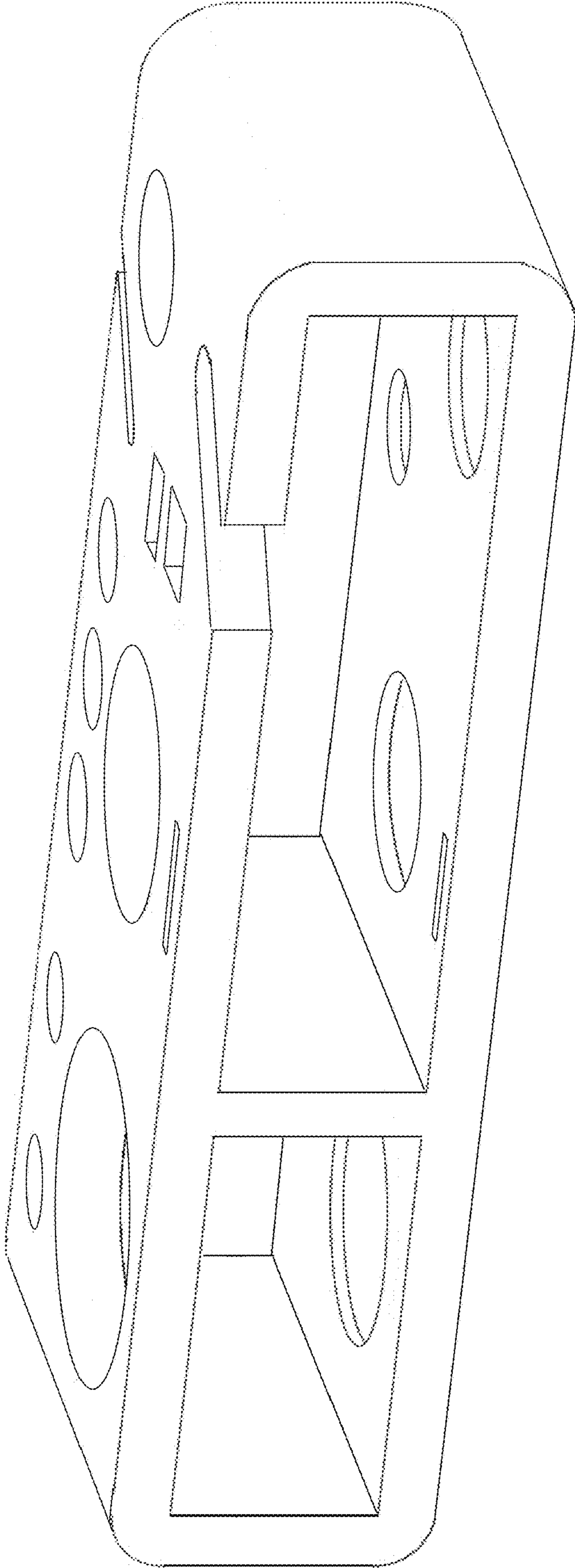
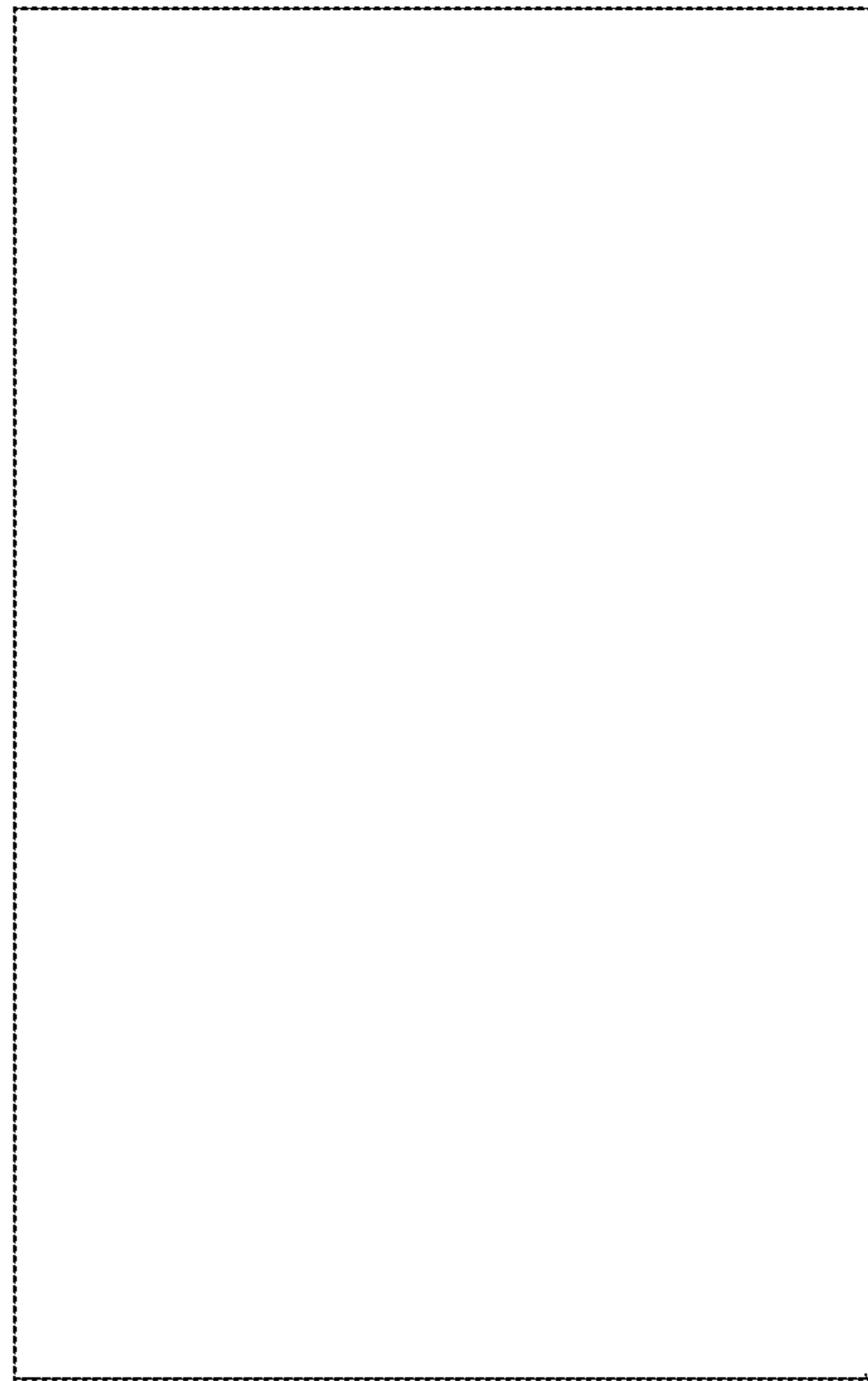


FIGURE 7



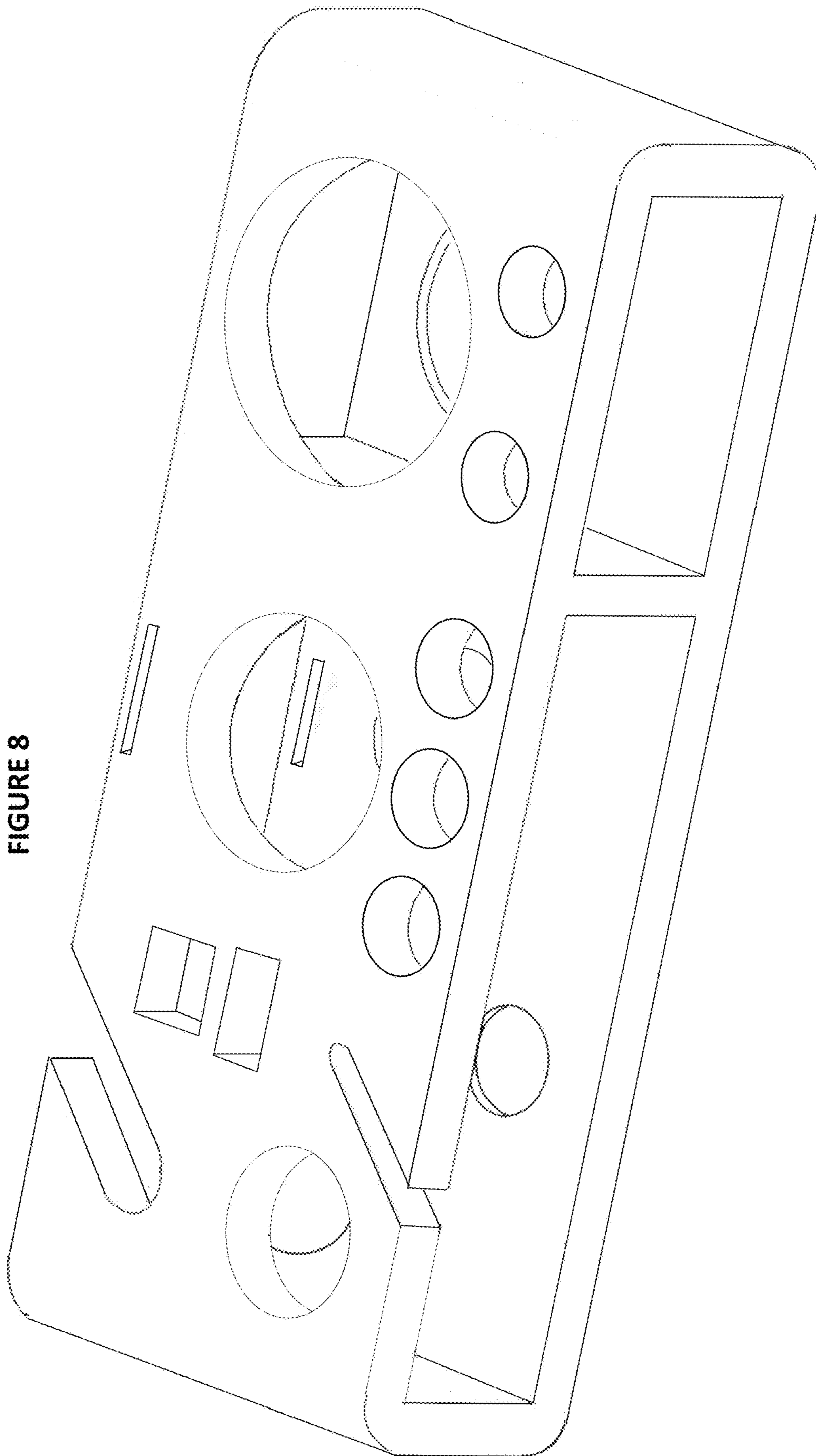


FIGURE 8