



US00D879517S

(12) **United States Design Patent** (10) **Patent No.:** **US D879,517 S**
Warren (45) **Date of Patent:** **** Mar. 31, 2020**

(54) **TOWER**
(71) Applicant: **Bright Guard, LLC**
(72) Inventor: **Ryan C. Warren**, Los Angeles, CA (US)
(73) Assignee: **Bright Guard, LLC**, Newport Beach, CA (US)
(**) Term: **15 Years**
(21) Appl. No.: **29/658,999**
(22) Filed: **Aug. 4, 2018**
(51) **LOC (12) Cl.** **06-06**
(52) **U.S. Cl.**
USPC **D6/680**
(58) **Field of Classification Search**
USPC D6/407, 626-630, 462-468, 680, 677, D6/677.1
CPC A47B 49/00; A47B 49/002; A47F 1/12; A47F 3/0486; A47F 3/10; A47F 5/0081
See application file for complete search history.

D276,287 S * 11/1984 Sturcz D6/403
D287,442 S * 12/1986 Arthur D6/680
D320,323 S * 10/1991 Champion D6/675
D322,368 S * 12/1991 Blum D6/678
D349,120 S * 7/1994 Landsberg D15/21
D355,794 S * 2/1995 Wenzel-Murphy D6/677
D512,986 S * 12/2005 Lee D14/211
D763,021 S * 8/2016 Eddershaw D6/680

* cited by examiner

Primary Examiner — Kelley A Donnelly
(74) *Attorney, Agent, or Firm* — Manatt, Phelps & Phillips, LLP

(57) **CLAIM**

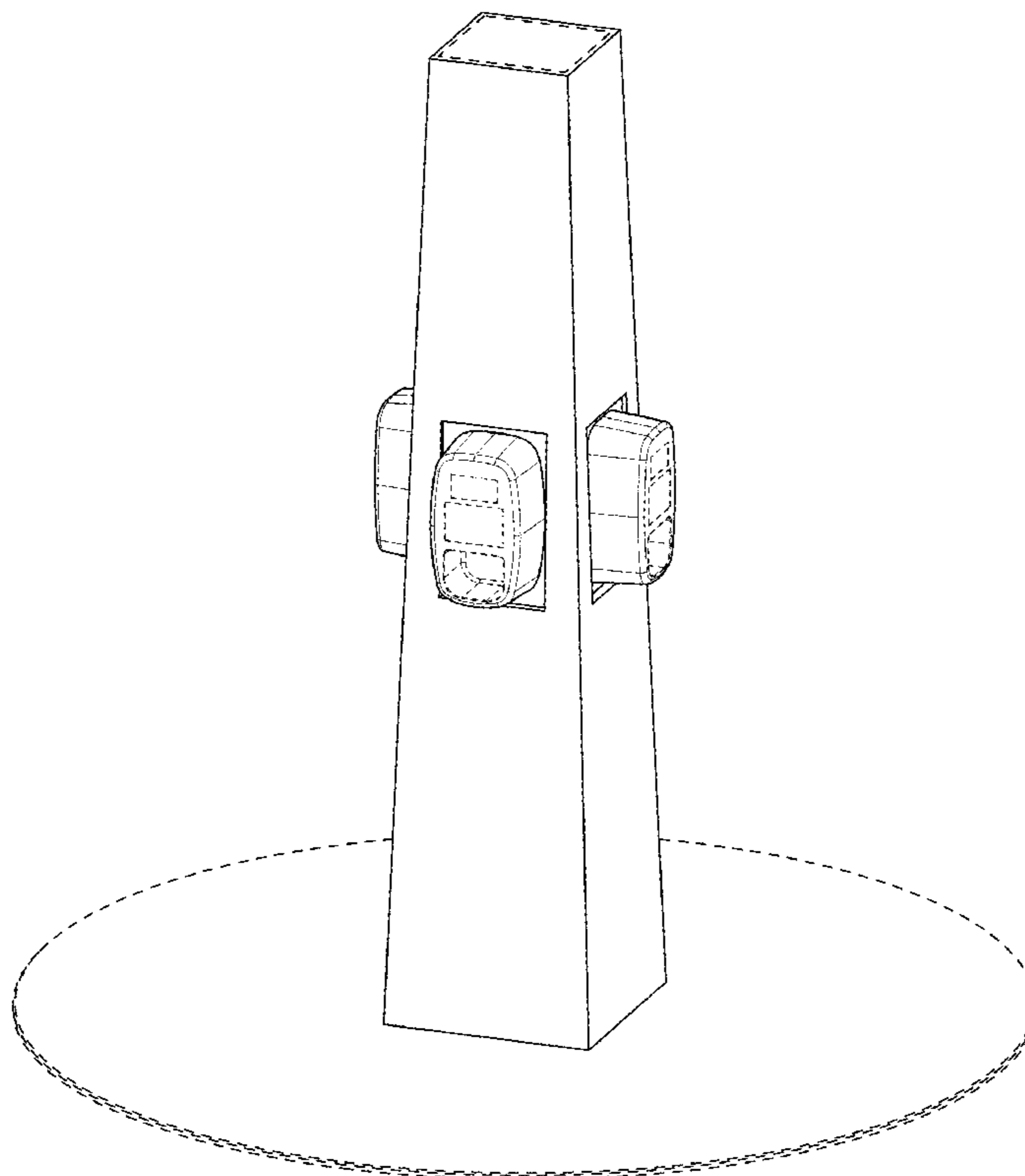
The ornamental design for a tower, as shown and described.

DESCRIPTION

FIG. 1 is a front, top, and right side perspective view of a tower;
FIG. 2 is a back, top, and left side perspective view thereof;
FIG. 3 is a front view thereof;
FIG. 4 is a right side view thereof;
FIG. 5 is a rear view thereof;
FIG. 6 is a left side view thereof; and,
FIG. 7 is a top view thereof.
The broken lines present in the drawings are included for the purpose of illustrating portions of the article which form no part of the claimed design.

(56) **References Cited**
U.S. PATENT DOCUMENTS
D70,515 S * 7/1926 Turpisch D6/682.4
D90,831 S * 10/1933 Battersby D6/680.2
D91,264 S * 1/1934 Brigida D6/680
3,294,352 A * 12/1966 Leonard B65H 49/06
248/309.2
D235,824 S * 7/1975 Long D6/680

1 Claim, 7 Drawing Sheets



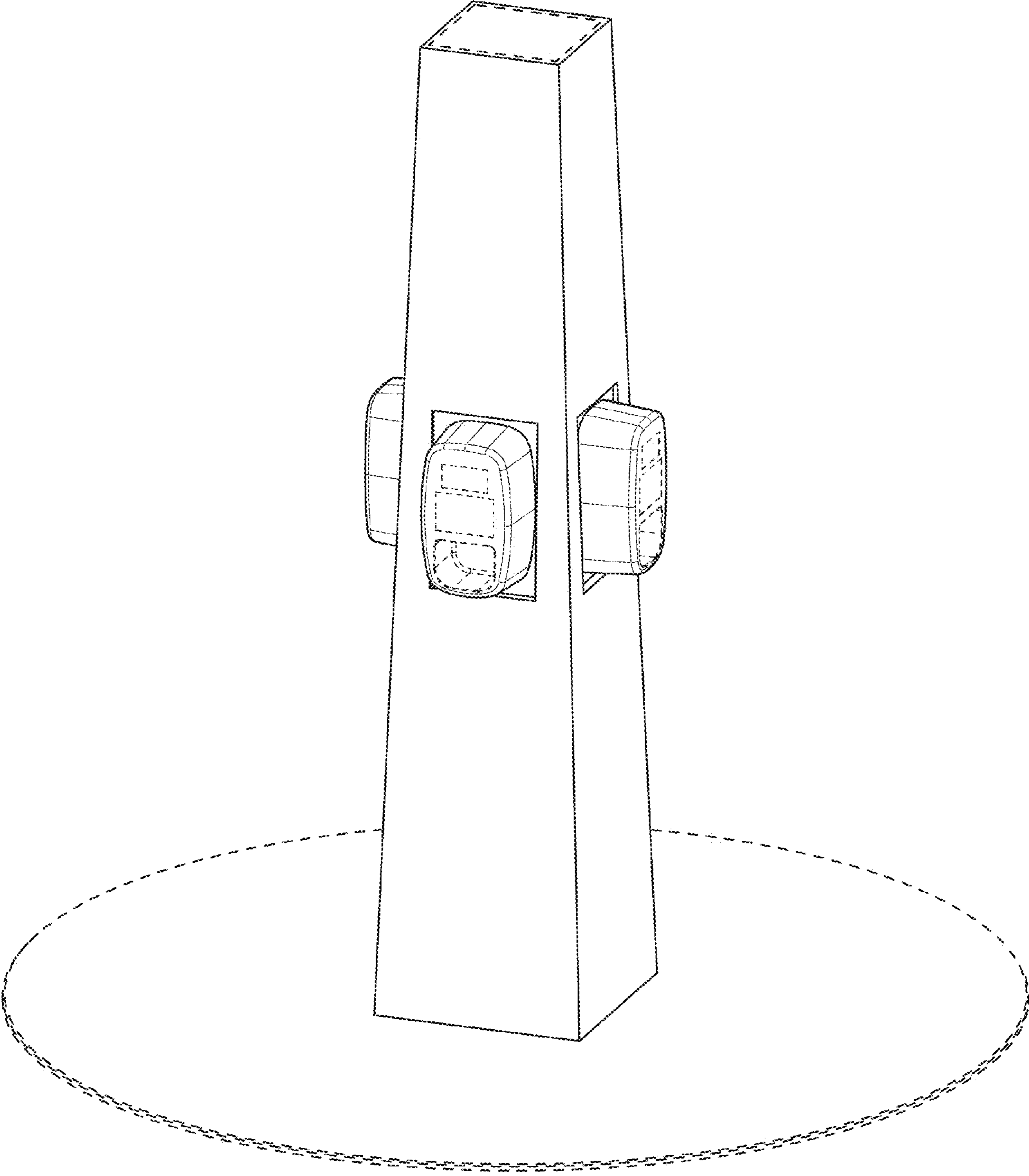


FIG. 1

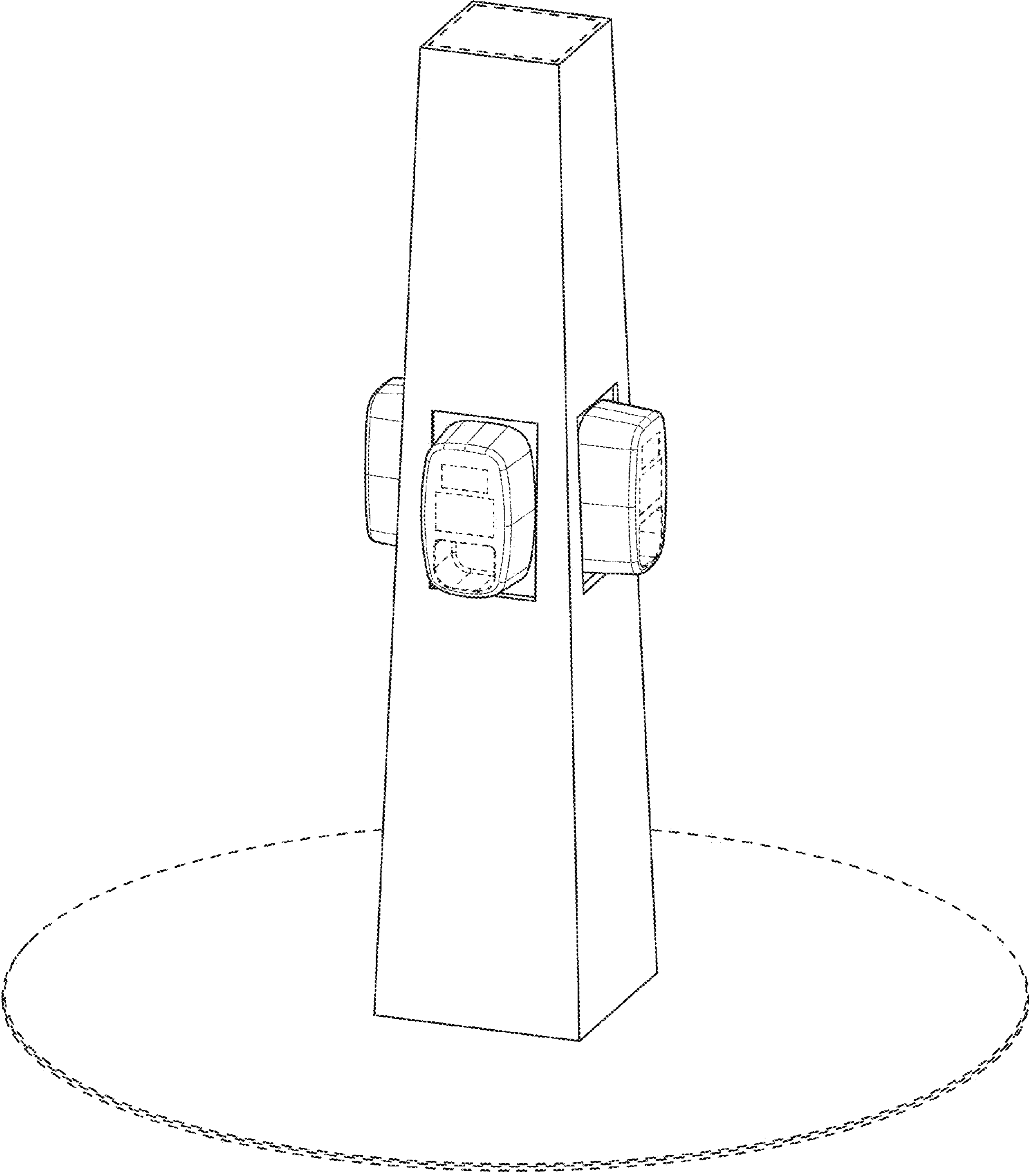


FIG. 2

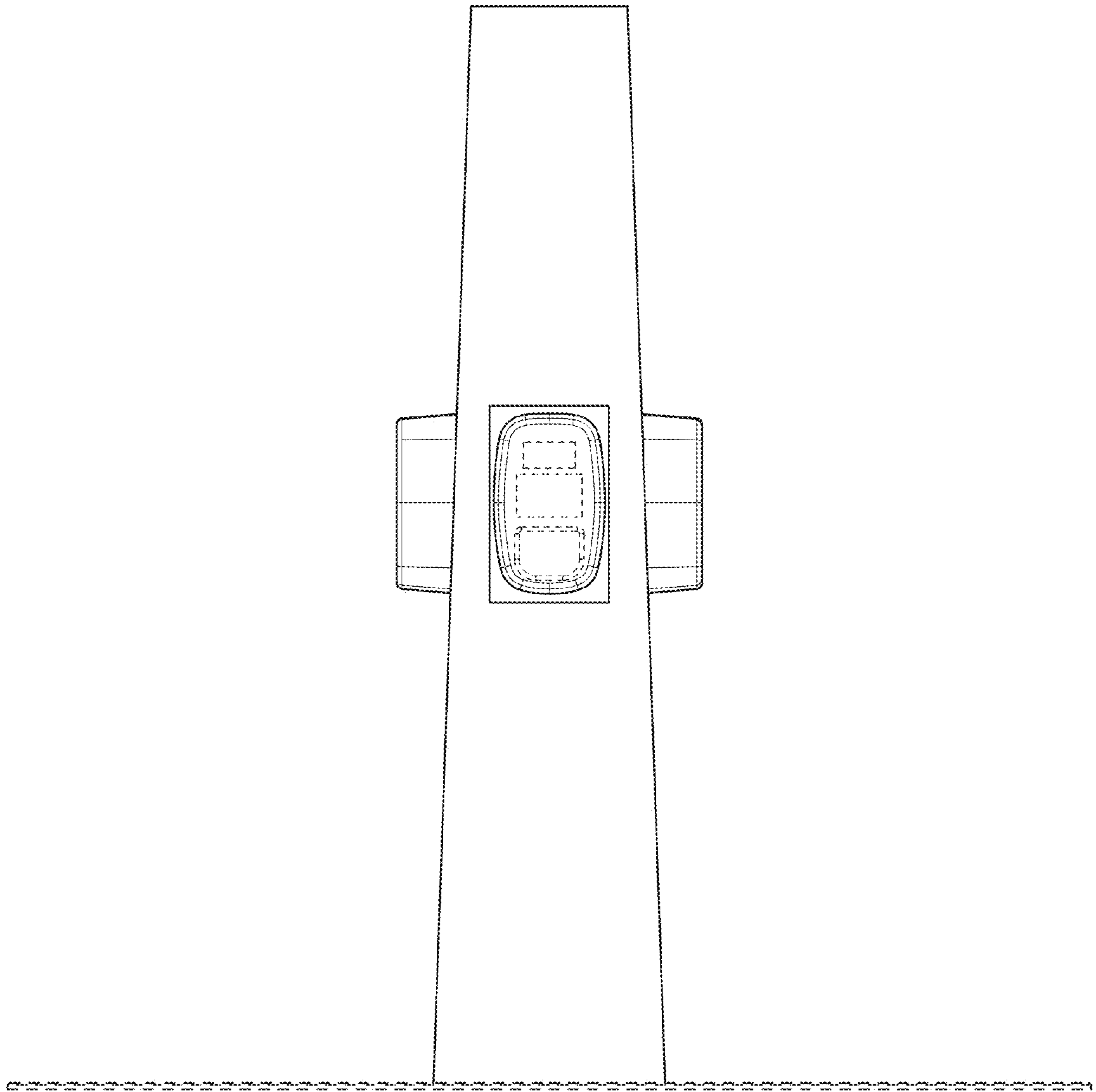


FIG. 3

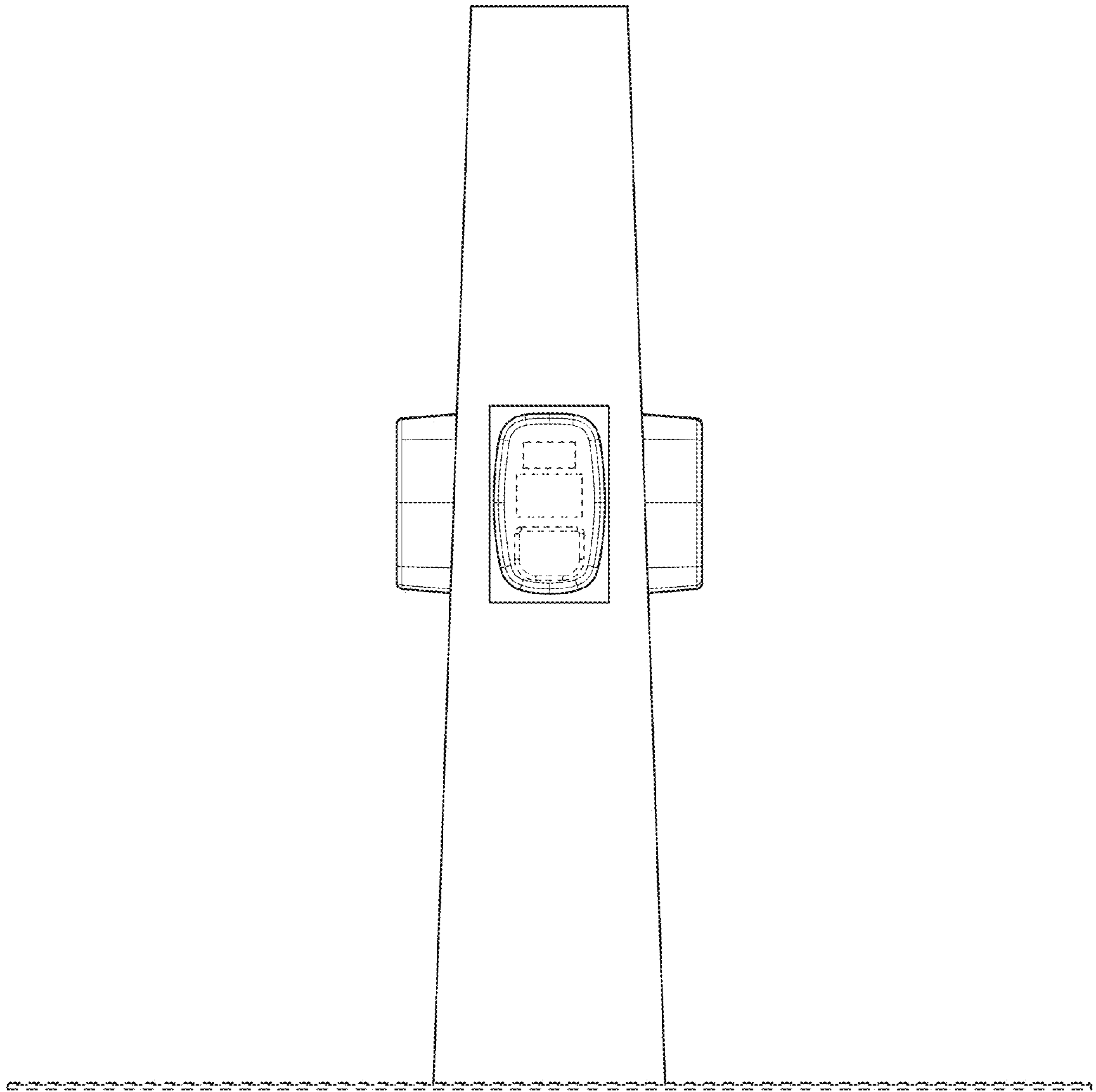


FIG. 4

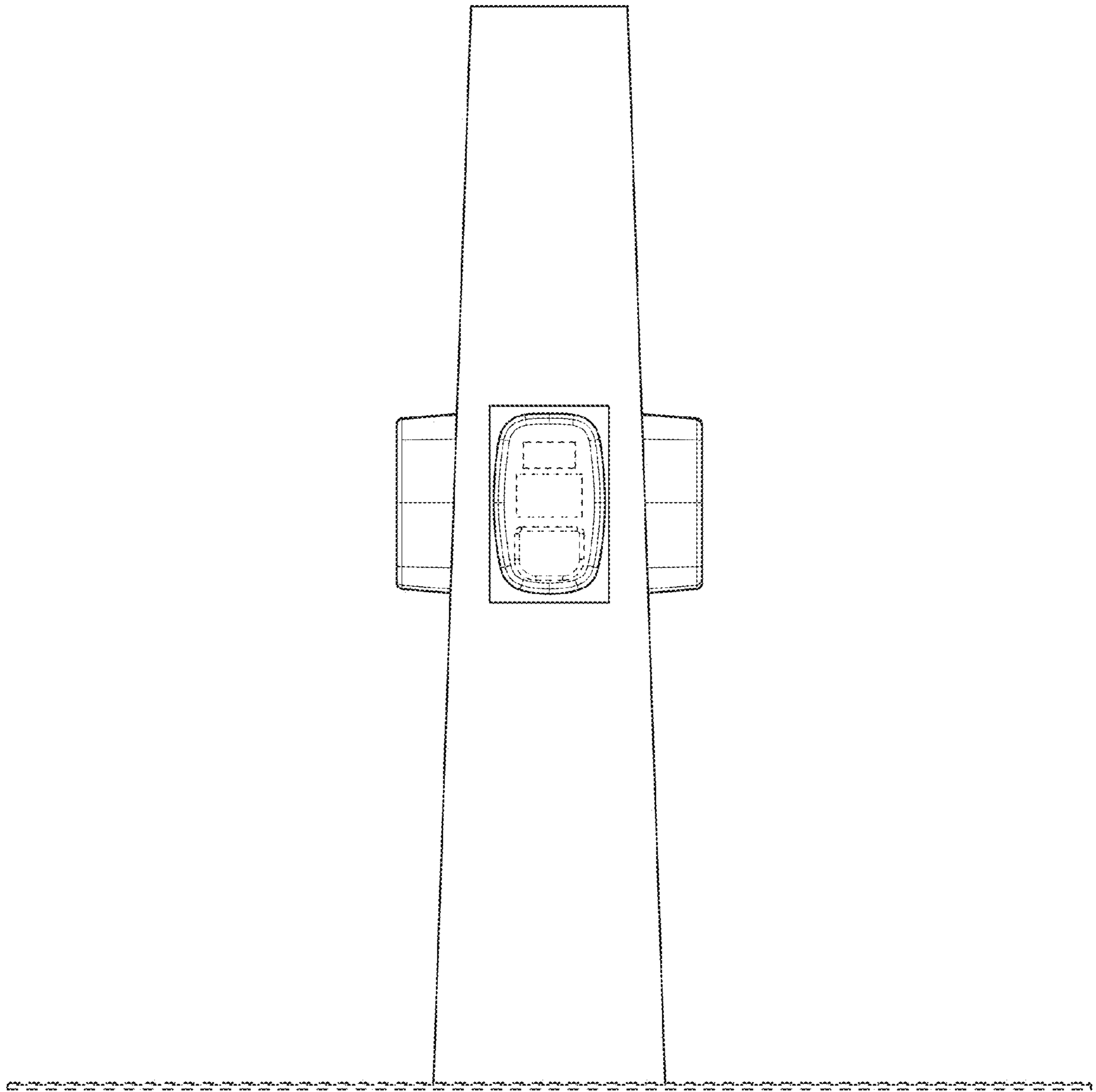


FIG. 5

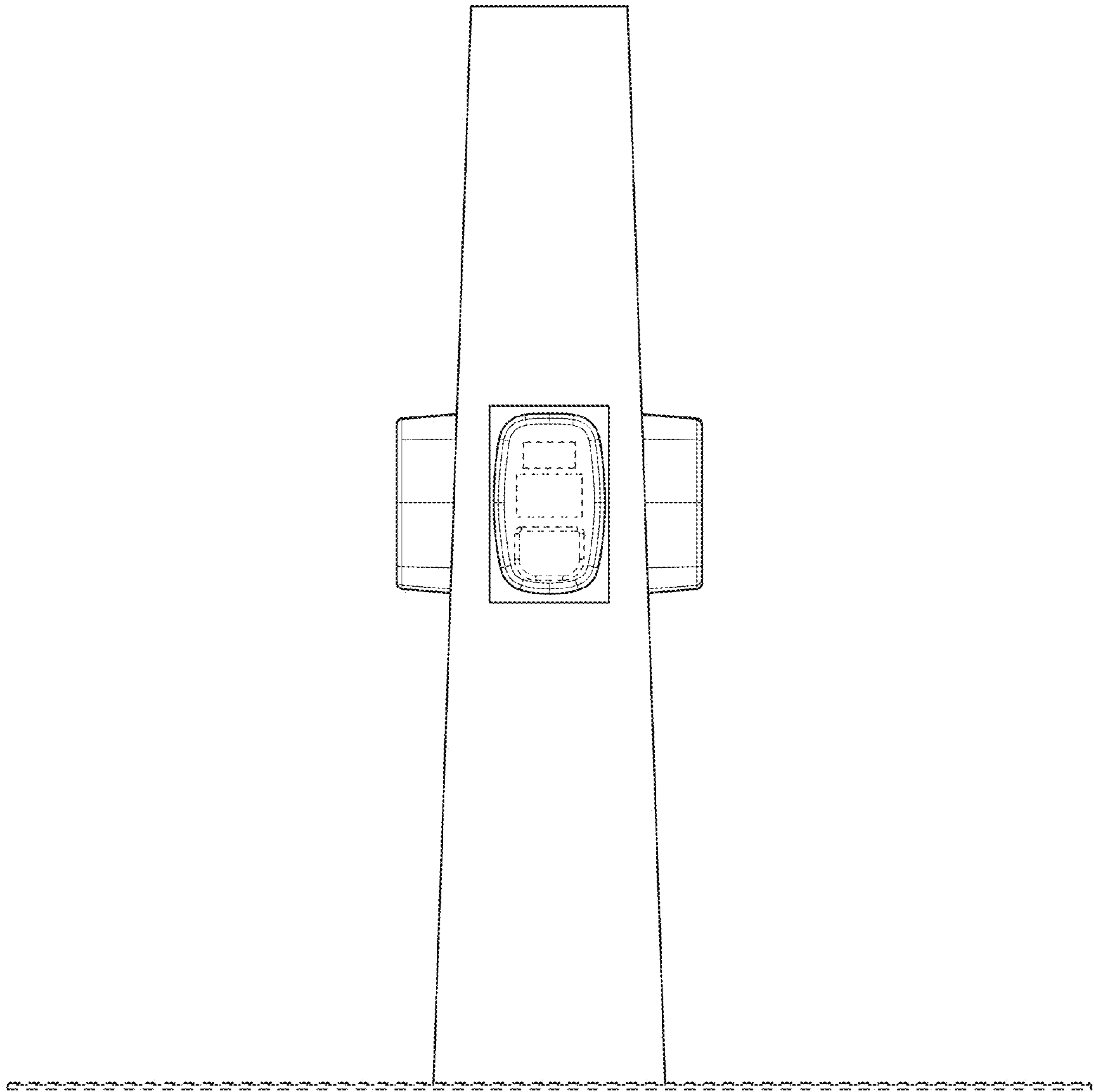


FIG. 6

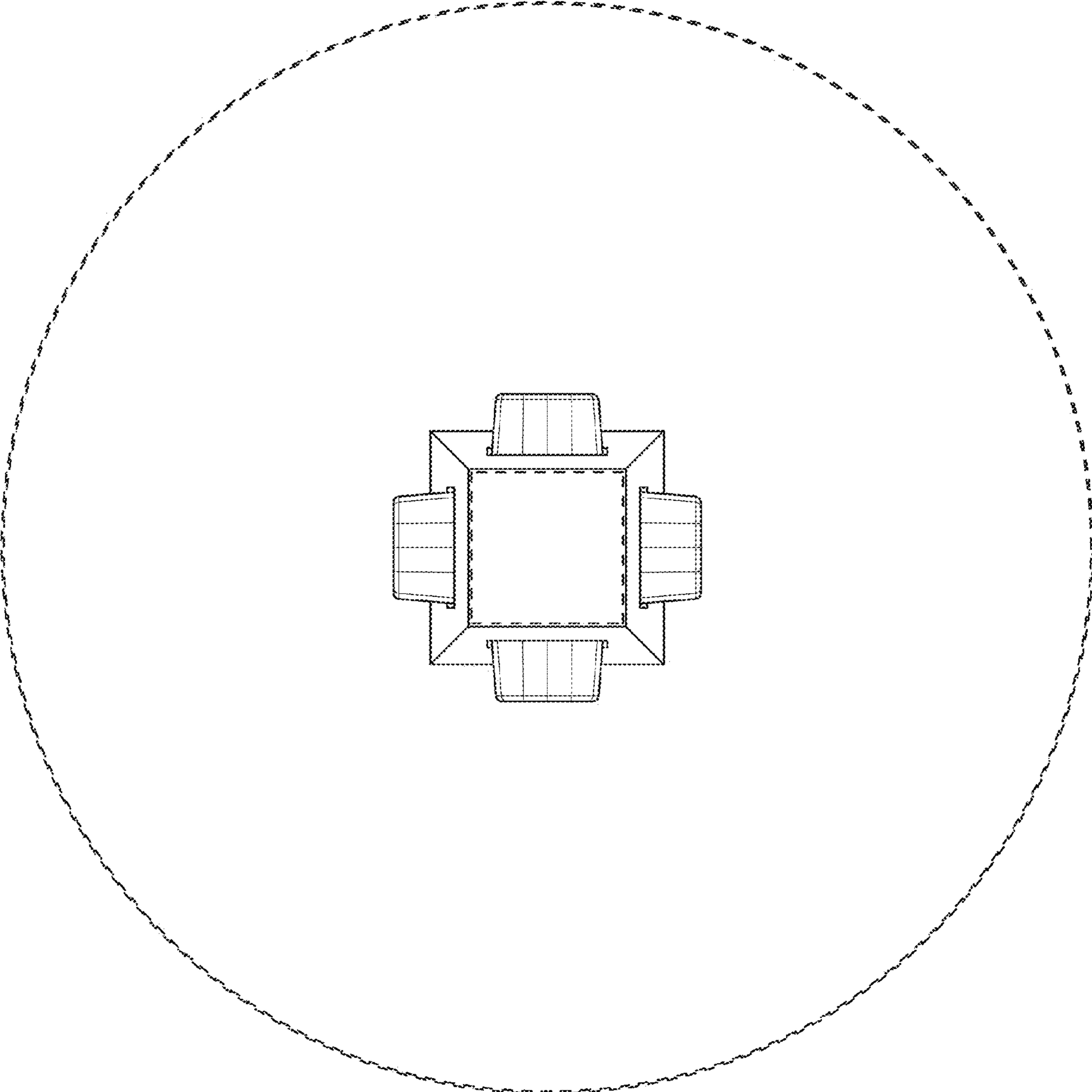


FIG. 7