



US00D879516S

(12) **United States Design Patent**
Davis et al.

(10) **Patent No.:** **US D879,516 S**
(45) **Date of Patent:** **** Mar. 31, 2020**

(54) **CONSOLE**

(71) Applicant: **WALKER EDISON FURNITURE COMPANY LLC**, Salt Lake City, UT (US)

(72) Inventors: **Matthew Davis**, Murray, UT (US);
Brad Bonham, Draper, UT (US);
Richard Packer, Kaysville, UT (US)

(73) Assignee: **WALKER EDISON FURNITURE COMPANY LLC**, Salt Lake City, UT (US)

(**) Term: **15 Years**

(21) Appl. No.: **29/656,489**

(22) Filed: **Jul. 12, 2018**

(51) **LOC (12) Cl.** **06-04**

(52) **U.S. Cl.**

USPC **D6/657**

(58) **Field of Classification Search**

USPC D6/512, 553, 559, 657, 659, 660, 661, D6/662, 663, 667, 669, 671, 671.1, 672, D6/673, 675, 682, 682.3, 683.1, 694
CPC A47B 46/00; A47B 47/00; A47B 47/02; A47B 47/021; A47B 47/022; A47B 47/04; A47B 55/00; A47B 67/00; A47B 67/02; A47B 67/04; A47B 83/04; A47B 7/00; A47B 81/00; A47B 81/007; A47B 81/02; A47F 3/00; A47F 3/005
See application file for complete search history.

(56) **References Cited**

U.S. PATENT DOCUMENTS

245,925 A 8/1881 Kinsley
309,799 A 12/1884 Poulsen
D47,600 S 7/1915 Koch
D61,344 S 8/1922 Mayer
1,475,088 A 11/1923 Specht et al.

D64,390 S 4/1924 Arons
D64,922 S 6/1924 Naill
D66,028 S 11/1924 Lyons et al.
D66,889 S 3/1925 Schleicher
D68,065 S 8/1925 Schleicher
D68,659 S 11/1925 Smith
D78,127 S 3/1929 Schleicher
D103,250 S 2/1937 Parrish
2,207,307 A 7/1940 Teller

(Continued)

FOREIGN PATENT DOCUMENTS

CA 164489 4/2016
CA 165553 7/2016

(Continued)

OTHER PUBLICATIONS

U.S. Appl. No. 29/654,930, filed Jun. 28, 2018, Davis.

(Continued)

Primary Examiner — R. Johnson

(74) *Attorney, Agent, or Firm* — Workman Nydegger

(57)

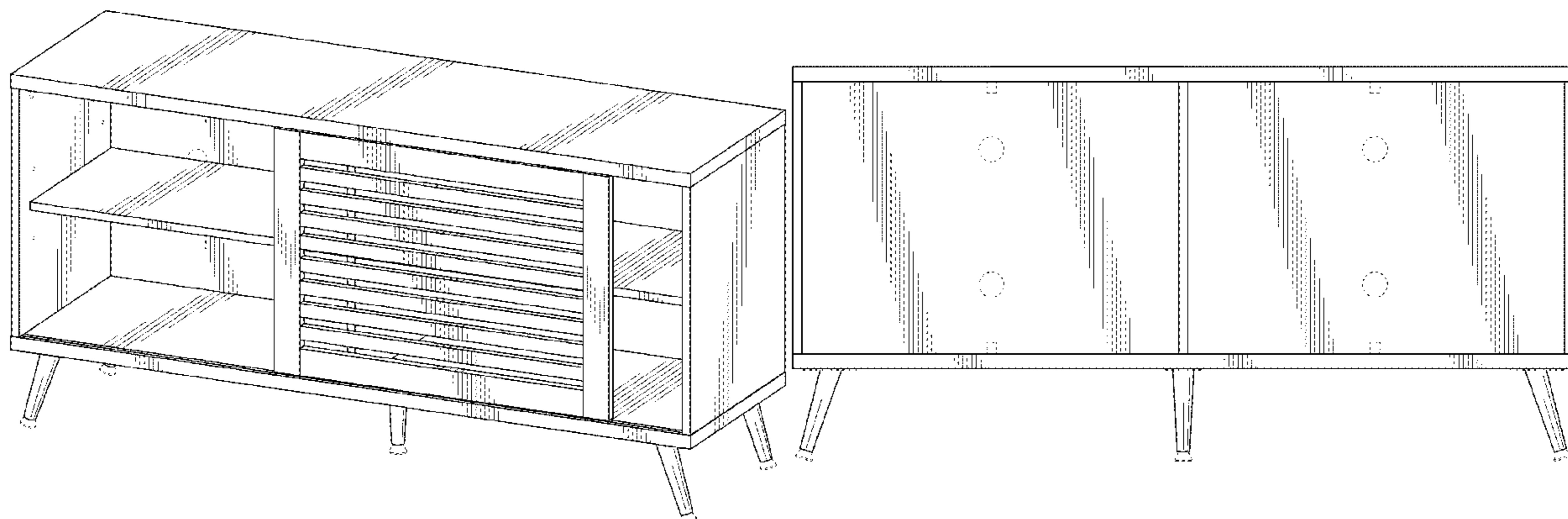
CLAIM

The ornamental design for a console, as shown and described.

DESCRIPTION

FIG. 1 is a front perspective view of a console showing the new design;
FIG. 2 is a front elevation view thereof;
FIG. 3 is a back elevation view thereof;
FIG. 4 is a top plan view thereof;
FIG. 5 is a bottom plan view thereof;
FIG. 6 is a right elevation view thereof; and,
FIG. 7 is a left elevation view thereof.
The broken lines in the drawings are for the purpose of illustrating portions of the article that form no part of the claimed design.

1 Claim, 4 Drawing Sheets



US D879,516 S

(56)

References Cited

U.S. PATENT DOCUMENTS

D166,077 S	3/1952	Haas	D425,330 S	5/2000	O'Hare	
2,696,419 A	12/1954	Wallance	6,074,029 A *	6/2000	Snoke	A47B 47/02 312/249.11
D175,869 S	10/1955	Trout	D428,609 S	7/2000	Williams	
2,743,720 A	5/1956	Lewis	D430,431 S	9/2000	Walter	
D182,836 S	5/1958	Lubberts	D448,203 S	9/2001	Jeup	
2,850,346 A	9/1958	Holderle	D452,624 S	1/2002	de Blois	
D186,115 S	9/1959	Church	D454,264 S	3/2002	Patik	
2,918,176 A	12/1959	Bell	D455,916 S	4/2002	Fluhrer	
D188,196 S	6/1960	Lubberts	6,393,207 B1	5/2002	Martin	
D188,197 S	6/1960	Swarts	D466,333 S	12/2002	Hwang	
3,039,621 A	6/1962	Pilcher	6,515,262 B1	2/2003	Li	
D193,516 S *	9/1962	Deaton	D477,160 S	7/2003	Grosfillex	
D196,451 S	10/1963	McMullen	D478,432 S	8/2003	Juneau	
3,217,671 A	11/1965	Walsh	D479,925 S	9/2003	Hsieh	
3,272,582 A	9/1966	Mack	D485,709 S	1/2004	de Blois	
3,354,878 A	11/1967	Balls	D492,989 S	7/2004	Beck	
3,589,746 A	6/1971	Inglis	D495,898 S *	9/2004	Walker	D6/657
RE27,186 E	10/1971	Ferdinand	6,789,859 B1	9/2004	Ho	
RE27,200 E	10/1971	Ferdinand et al.	D497,741 S	11/2004	Sexton	
3,762,789 A	10/1973	Robertson	D499,274 S	12/2004	Juneau	
3,766,863 A	10/1973	Swick	D499,281 S	12/2004	Yamaguchi	
D233,294 S	10/1974	Goulder	D499,583 S	12/2004	Anderson	
D236,676 S	9/1975	Urti	D503,570 S	4/2005	Anderson	
D238,277 S	12/1975	Parker	D507,428 S *	7/2005	Weatherly	D6/662.1
D239,352 S	3/1976	Petrick	D510,211 S	10/2005	Welborn, Jr.	
D244,112 S	4/1977	Friedman	D519,203 S	4/2006	Haas	
D248,429 S	9/1978	Robinson	D522,771 S	6/2006	Berry	
D249,429 S	9/1978	Robinson	D528,327 S	9/2006	O'Reilly	
D249,860 S	10/1978	Ungaro	D534,379 S	1/2007	Juneau	
4,182,244 A	1/1980	Hutchins	D534,998 S	1/2007	Charnick	
D262,847 S	2/1982	Keller	D536,770 S	2/2007	Mayer	
D269,754 S	7/1983	Kates	D538,406 S	3/2007	Mayer	
D270,858 S	10/1983	McInnes	D539,057 S	3/2007	Senda	
D281,901 S	12/1985	Demrick	D543,057 S	5/2007	Grady	
D283,343 S	4/1986	Haythornthwaite	D543,728 S	6/2007	Becker	
D303,596 S	9/1989	Goetz	D548,488 S	8/2007	Weatherly	
D304,982 S	12/1989	Bush	D548,490 S	8/2007	Becker	
D305,930 S	2/1990	MacAleese	D549,991 S	9/2007	Stravitz	
D306,106 S	2/1990	Bush	D554,393 S	11/2007	Yalif	
D319,230 S	8/1991	Sugiyama	D555,397 S	11/2007	Yalif	
5,036,778 A	8/1991	Briosi	D559,583 S	1/2008	Zambelli	
D319,743 S	9/1991	Grey	D559,584 S	1/2008	Zambelli	
D327,735 S	7/1992	Smith	D559,585 S	1/2008	Lara	
D328,341 S	7/1992	Chiu	D560,077 S	1/2008	Zambelli	
D329,693 S	9/1992	Mills	D560,396 S	1/2008	Weatherly	
D336,184 S	6/1993	Borgen	D560,930 S	2/2008	Woodward	
D347,754 S	6/1994	Mehlin	D561,317 S	2/2008	Ou	
D348,576 S	7/1994	Narramore	D562,597 S	2/2008	Weatherly	
D348,726 S	7/1994	Wilson	D564,789 S	3/2008	deCarolis	
D353,960 S	1/1995	Barfield	D567,346 S	4/2008	Lin	
5,409,122 A	4/1995	Lazarus	D587,483 S	3/2009	Zambelli	
5,452,812 A	9/1995	Niequist	D587,484 S	3/2009	Domack	
D363,176 S	10/1995	Berry	D587,497 S	3/2009	Zambelli	
D363,841 S	11/1995	Nourse	D588,831 S	3/2009	Mohundro	
D364,055 S	11/1995	Pakla	D589,280 S	3/2009	Zambelli	
D364,064 S	11/1995	Lorenz	D591,533 S	5/2009	Karsson	
5,463,966 A	11/1995	Nilsson	D592,432 S	5/2009	Sexton	
D365,472 S	12/1995	Rehnberg	7,530,538 B2	5/2009	Whalen	
D366,110 S	1/1996	Darr	D593,776 S	6/2009	Sexton	
D367,383 S	2/1996	Hatrack-Smith	D594,248 S	6/2009	Zambelli	
D373,693 S	9/1996	Elhage	D604,546 S	11/2009	Alman	
5,628,256 A	5/1997	Lazarus	D605,874 S	12/2009	Zambelli	
D385,431 S	10/1997	Lee	D611,727 S	3/2010	Vail	
5,695,081 A	12/1997	Alkalay	D618,015 S	6/2010	Sexton	
D389,343 S	1/1998	Van Der Merwe	D618,016 S	6/2010	Metcalf	
D390,936 S	2/1998	French	D620,278 S	7/2010	Zambelli	
5,752,500 A	5/1998	Jamieson	D620,283 S	7/2010	Calco	
5,782,231 A	7/1998	Wade	D622,834 S	8/2010	Jiang	
5,833,084 A	11/1998	Chang	D623,442 S	9/2010	Zambelli	
D403,529 S	1/1999	De Blaay	D623,876 S	9/2010	Zambelli	
D404,937 S	2/1999	Tarlow	D623,877 S	9/2010	Zambelli	
D407,577 S	4/1999	Dorst	D625,123 S	9/2010	Zambelli	
D408,174 S	4/1999	Aspenwall	D630,453 S	1/2011	Rafieha	
D420,114 S	2/2000	Johnson	D632,902 S	2/2011	Rafieha	
D423,810 S	5/2000	Dorst	D638,922 S	5/2011	Zhou	
			7,934,494 B1	5/2011	Schneider	
			D640,072 S	6/2011	Sexton	
			D641,861 S	7/2011	Okamoto	

(56)

References Cited

U.S. PATENT DOCUMENTS

D644,853 S 9/2011 Becker
 D653,051 S 1/2012 Lin
 D653,739 S 2/2012 Gibbs
 D654,289 S 2/2012 Zambelli
 D654,995 S 2/2012 Asofsky
 D654,996 S 2/2012 Asofsky
 D655,946 S 3/2012 Sexton
 D658,750 S 5/2012 Nemes
 D663,137 S 7/2012 Andersen
 D663,138 S 7/2012 Anderson
 D665,897 S 8/2012 Martin
 D665,987 S 8/2012 Martin
 D666,281 S 8/2012 Nemes
 D667,654 S 9/2012 Lenney
 D668,475 S 10/2012 Zambelli
 D669,704 S 10/2012 Zambelli
 D669,706 S 10/2012 Zambelli
 D669,707 S 10/2012 Zambelli
 D670,105 S 11/2012 Jespersen
 D674,891 S 1/2013 Huang
 D675,716 S 2/2013 Schwartz
 D687,250 S 8/2013 Weatherly
 D694,873 S 12/2013 Nemes
 D696,758 S 12/2013 Ernst
 8,607,776 B2 12/2013 Jansson
 8,813,656 B1 8/2014 Hazzard
 D716,288 S 10/2014 O'Heron
 D717,081 S 11/2014 Dworman
 D717,569 S 11/2014 Davis
 D718,957 S 12/2014 Helser
 D719,384 S 12/2014 Sowers
 D720,563 S 1/2015 Burden
 D723,148 S 2/2015 Lawrence
 D723,843 S 3/2015 Lai
 9,004,060 B2 4/2015 Benedetti
 D731,823 S 6/2015 Kelinske
 D736,012 S 8/2015 Davis
 D737,418 S 8/2015 Hrydovyy
 D738,477 S 9/2015 Nemes
 D738,647 S 9/2015 Muller
 D741,630 S 10/2015 Meissner
 D742,142 S 11/2015 Everson
 D742,662 S 11/2015 Muller
 D743,192 S 11/2015 Davis
 D746,614 S 1/2016 Sheppard
 D747,123 S 1/2016 Zambelli
 D747,788 S 1/2016 Baker
 D747,900 S 1/2016 Sheppard
 9,228,742 B2 1/2016 Akiyama
 D748,768 S 2/2016 Stanton
 D752,905 S 4/2016 Healy
 D753,930 S 4/2016 Vengadkrishnan
 D757,350 S 5/2016 Levy
 D758,766 S 6/2016 Kirar
 D759,997 S 6/2016 Ruiz
 D767,752 S 9/2016 Davis
 D767,753 S 9/2016 Edmund
 D768,413 S 10/2016 Huang
 D773,862 S 12/2016 Davis
 D775,866 S 1/2017 Ben Avi
 D777,479 S 1/2017 Anderson
 D778,641 S 2/2017 Anderson
 D778,646 S 2/2017 Davis
 D783,324 S 4/2017 Akana
 D791,302 S 7/2017 Davis
 D791,522 S 7/2017 Rodd
 D792,132 S 7/2017 Peota
 D793,776 S 8/2017 Davis
 D798,640 S 10/2017 Anderson
 D804,861 S 12/2017 Failing
 D807,671 S 1/2018 Caillouet
 D808,203 S 1/2018 Davis
 D808,688 S 1/2018 Everson
 D808,690 S 1/2018 Hsu
 D812,938 S 3/2018 Moore

D814,410 S 4/2018 Emslie
 D817,037 S 5/2018 Davis
 D817,038 S 5/2018 Davis
 D817,040 S 5/2018 Davis
 D817,666 S 5/2018 Davis
 D817,667 S 5/2018 Davis
 D818,750 S 5/2018 Hannoosh
 D821,038 S * 6/2018 Rathman D30/114
 D824,703 S 8/2018 Yamamoto
 D825,233 S 8/2018 Yamamoto
 D825,959 S 8/2018 Rockwell
 D833,782 S 11/2018 Amacher
 D834,354 S 11/2018 Davis
 D834,355 S 11/2018 Davis
 D835,437 S 12/2018 Stukenberg
 D835,925 S 12/2018 Denby
 D838,523 S 1/2019 Yamamoto
 D843,756 S 3/2019 Johnson
 D845,041 S 4/2019 Davis
 D845,679 S 4/2019 Li
 D845,683 S 4/2019 Pedersen
 D848,766 S 5/2019 Chen
 D848,768 S 5/2019 Johnson
 D848,770 S 5/2019 Davis
 D849,457 S 5/2019 Kundig
 D850,815 S * 6/2019 Nicoll D6/559
 D858,148 S 9/2019 Crutcher
 D860,687 S 9/2019 Parikh
 2004/0074858 A1 4/2004 Thuma
 2004/0079714 A1 4/2004 Andrew
 2004/0222721 A1 11/2004 Kelley
 2004/0237853 A1 12/2004 Sholz
 2005/0000241 A1 1/2005 Kucera
 2005/0103734 A1 5/2005 Saltzberg
 2007/0062983 A1 3/2007 Barnett
 2007/0138119 A1 6/2007 Schwerdlin
 2007/0236111 A1 10/2007 Gray
 2008/0116771 A1 5/2008 Green
 2008/0181587 A1 7/2008 Patil
 2008/0203042 A1 8/2008 Felsenthal
 2008/0216817 A1 9/2008 Yungbluth
 2009/0025414 A1 1/2009 Koga
 2009/0151375 A1 6/2009 Tarr
 2009/0170421 A1 7/2009 Adrian
 2009/0220221 A1 9/2009 Zhou
 2010/0307179 A1 12/2010 Fava
 2011/0000477 A1 1/2011 Kwon
 2011/0017691 A1 1/2011 Wu
 2011/0079688 A1 4/2011 Grove
 2011/0080261 A1 4/2011 Asofsky
 2011/0120166 A1 5/2011 Nadel
 2011/0220090 A1 9/2011 Atemboski
 2014/0116418 A1 5/2014 Thomas
 2014/0252939 A1 9/2014 Tunzi
 2014/0265754 A1 9/2014 Patterson
 2014/0265807 A1 9/2014 Kendall
 2014/0318529 A1 10/2014 Nielson
 2015/0182021 A1 7/2015 Chang
 2015/0323190 A1 11/2015 Stein
 2016/0018112 A1 1/2016 Phillips
 2016/0100698 A1 4/2016 Clark
 2016/0209102 A1 7/2016 Vulava
 2016/0223213 A1 8/2016 Grohova
 2016/0256032 A1 9/2016 Bhajak
 2017/0089587 A1 3/2017 Nemes
 2017/0211814 A1 7/2017 Bourne
 2018/0064246 A1 3/2018 Kassanoff

FOREIGN PATENT DOCUMENTS

CA 165554 7/2016
 CA 171259 9/2017
 CA 179415 1/2018
 CA 182458 7/2018
 CA 182460 7/2018
 CA 182461 7/2018
 CA 182700 7/2018
 CA 182703 7/2018
 CN 304163895 9/2017

(56)

References Cited

FOREIGN PATENT DOCUMENTS

CN	1305138614	5/2019
GB	1162368	8/1969
GB	4032905	11/2013
GB	54034171	7/2014
GB	4001474	5/2017
WO	WOD076242-061	5/2011

OTHER PUBLICATIONS

U.S. Appl. No. 29/654,936, filed Jun. 28, 2018, Davis.
 U.S. Appl. No. 29/654,952, filed Jun. 28, 2018, Davis.
 U.S. Appl. No. 29/656,492, filed Jul. 12, 2018, Davis.
 U.S. Appl. No. 29/656,485, filed Jul. 12, 2018, Davis.
 U.S. Appl. No. 29/634,889, filed Apr. 25, 2018, Davis.
 Media Console with Electric Fireplace, image post date Dec. 6, 2015, site visited Aug. 8, 2016, (online), <<http://www.overstock.com/Home-Garden/Media-Console-with-Electric-Fireplace-in-Barnwood/10309735/product.html?reset=05953330-aaa1-4640-a796-f225c2f8176d&refccid=MRISGGB2MZGZXYKK4EFV125H6Q&recalg=809,828,512&recidx=1#reviews>>.
 Electric Fireplace, Image post date May 26, 2014, site visited Aug. 8, 2016, (online) <https://www.tineye.com/search/3c3d0cbfb7030b3079ebefa0774a5b4e94120332/?pluginver=>>.
 Walker Edison TV Stand with Fireplace Insert, image post date Jul. 31, 2015, site visited Aug. 8, 2016, (online), <<https://www.amazon.com/Walker-Edison-Fireplace-Insert-Espresso/dp/BOOPNONTAK>>.
 Manchester Fireplace TV Console, image post date Dec. 17, 2015, site visited Aug. 8, 2016, (online), <<http://www.walmart.com/ip/Manchester-Media-Fireplace-Stand-for-TVs-up-to-70/46360223>>.
 TV Stand with Fireplace, image post date Sep. 12, 2015, site visited Aug. 8, 2016 (online); www.tineye.com/search.
 Metal Coffee Table; <https://www.overstock.com/Home-Garden/42-Metal-Coffee-Table-42-x-24-x-18h/15951452/product.html> Retrieved on Nov. 13, 2018.
 Modern Two-Tone Writing Desk; <https://www.overstock.com/Home-Garden/44-Modern-Two-Tone-Writing-Desk/19684325/product.html> Retrieved on Nov. 13, 2018.
 U.S. Appl. No. 29/611,962, filed Jul. 27, 2017, Davis.
 U.S. Appl. No. 29/611,963, filed Jul. 27, 2017, Davis.
 U.S. Appl. No. 29/634,946, filed Jan. 25, 2018, Davis.
 U.S. Appl. No. 29/634,903, filed Jan. 25, 2018, Davis.
 U.S. Appl. No. 29/654,941, filed Jun. 28, 2018, Davis.
 U.S. Appl. No. 29/654,935, filed Jun. 28, 2018, Davis.
 U.S. Appl. No. 29/654,950, filed Jun. 28, 2018, Davis.
 U.S. Appl. No. 29/656,499, filed Jul. 12, 2018, Davis.
 U.S. Appl. No. 29/656,479, filed Jul. 12, 2018, Davis.
 U.S. Appl. No. 29/656,486, filed Jul. 12, 2018, Davis.
 U.S. Appl. No. 29/656,497, filed Jul. 12, 2018, Davis.
 U.S. Appl. No. 29/677,722, filed Jan. 23, 2019, Davis.
 U.S. Appl. No. 29/677,723, filed Jan. 23, 2019, Davis.
 U.S. Appl. No. 29/677,724, filed Jan. 23, 2019, Davis.
 U.S. Appl. No. 29/677,738, filed Jan. 23, 2019, Davis.
 U.S. Appl. No. 29/677,755, filed Jan. 23, 2019, Davis.
 U.S. Appl. No. 29/677,761, filed Jan. 23, 2019, Davis.
 Monet Fireplace; Canadian Tire Company website: <http://www.canadiantire.ca/en/pdp/monet-fireplace-0643572p.html>; retrieved on Dec. 21, 2016.
 TV and Media Consoles, image post date Sep. 21, 2013, site visited Oct. 26, 2016, (online), <<http://web.archive.org/web/20130921074219/http://www.electrificfireplacesdirect.com/Gallery/tv-and-media-consoles.html>>.*
 “Kendall Electric Media Fireplace—Espresso” Dec. 24, 2012, amazon.com, site visited Mar. 6, 2018 <https://www.amazon.com/Kendall-Electric-Media-Fireplace-Espresso/dp/B009LIT6XQ/ref=cm_cr_ar_p_d_product_top?ie=UTF8> (Year: 2012).*

“Whalen Media Fireplace Console for TVs up to 70" Gray” Nov. 24, 2015, walmart.com, site visited Mar. 6, 2018 <<https://www.walmart.com/ip/VVhalen-Media-Fireplace-Console-for-TVs-up-to-70-Gray/54189794>> (Year: 2015).*

“Boston Loft Furnishings . . . ” Nov. 7, 2016, themine.com, site visited Mar. 2, 2018 <https://www.themine.com/tv-stands/boston-loft-furnishings-reamrock-infrared-electric-fireplace-media-stand-with-convertible-corner_g2733659.html> (Year: 2016).

“Ameriwood Home Everett 70-inch . . . ” Dec. 6, 2016, overstock.com, site visited Mar. 2, 2018 <<https://www.overstock.com/Home-Garden/Ameriwood-Home-Everett-70-inch-Sonoma-Oak-TVStand-with-Glass-Doors/12710691/product.html>> (Year: 2016).*

Czapla TV Stand for TVs up to 65"; <https://www.allmodern.com/furniture/pdp/mercury-row-czapla-tv-stand-for-tvs-up-to-65-a000303456.html> ; Retrieved on May 7, 2019.

Nelson Media Cabinet; <https://www.franceandson.com/collections/storage-shelving-media-cabinets/products/nelson-media-cabinet36051> ; Retrieved on May 7, 2019.

Hal TV Stand for TVs up to 60"; <https://www.allmodern.com/furniture/pdp/hal-tv-stand-for-tvs-up-to-60-a000176456.html> ; Retrieved on May 7, 2019.

Wigington TV Stand for TVs up to 60"; <https://www.allmodern.com/furniture/pdp/wigington-tv-stand-for-tvs-up-to-60-golv3670.html?piid> ; Retrieved on May 7, 2019.

Cliffmay Slat Media Stand Light Oak Brown—Project 62; https://www.target.com/p/cliffmay-slat-media-stand-light-oak-brown-project-62-153/-/A-53517373?ref=tgt_adv_XS000000&AFID=google_pla_df&fndsrc=tgtao&CPNG=PLA_Furniture%2BShopping_Priority%2BBrands&adgroup=SC_Project+62&LID=700000001170770pgs&network=g&device=c&location=9029756&gclsrc=aw.ds&ds_rl=1246978&ds_rl=1247068&ds_rl=1246978&ref=tgt_adv_XS000000&AFID=google_pla_df&CPNG=PLA_Furniture+Shopping_Priority+Brands&adgroup=SC_Project%2062&LID=700000001170770pgs&network=g&device=c&location=9029756&gclid=EAAlQobChMI7Nb9wo-H3wIVBylpCh1fSg4IEAQYBSABEGK_yPD_BwE&gclsrc=aw.ds ; Retrieved on May 7, 2019.

Audrey Woven Media Console 65"; <https://www.zinhome.com/audrey-woven-media-console-65/> ; Retrieved on May 14, 2019.

Demilune Mesh Door Industrial Sideboard; https://belleescape.com/demilune-mesh-wire-door-industrial-chic-sideboard.html?___SID=U ; Retrieved on May 14, 2019.

Tuk Cabinet; <https://blackroosterdecor.com/collections/storage/products/tuk-cabinet> ; Retrieved on May 14, 2019.

Rustic Style 31 Inches Metal TV Stand With Wire Mesh Doors Cabinet, Black; <https://casagear.com/products/rustic-style-31-inches-metal-tv-stand-with-wire-mesh-doors-cabinet-black>; May 14, 2019.

Geo-Marquetry Buffet; https://www.anthropologie.com/shop/geo-marquetry-buffet?adpos=1o27&adtype=pla&cm_mmc=Google-US%20-%20Shopping%20-%20Furniture-Organizing%20and%20Storage-42699934&color=&countryCode=US&creative=191389729567&device=c&gclid=EAAlQobChMIvuTGgYOH3wIVEdNkCh3t8wRPEAkYGyABEGJG_PD_BwE&inventoryCountry=US&matchtype=&mrkgadid=3202938336&mrkgcl=694&network=g&product_id=42699934&quantity=1&size=ALL&type=STANDARD&utm_campaign=US%20-%20Shopping%20-%20Furniture&utm_content=42699934&utm_medium=paid_search&utm_source=Google&utm_term=Organizing%20and%20Storage; Retrieved on May 14, 2019.

Suspend II Media Console; <https://www.cb2.com/suspend-ii-media-console/s523915>; Retrieved on May 14, 2019.

Hooker Furniture Melange Mirrored Angle Console; https://www.furniturecrate.com/hooker-melange-mirrored-angle-console.html?gdftrk=gdfV21650_a_7c92_a_7c8357_a_7c654170&gclid=CjwKEAiA05unBRCymrGilanF9SwSJACqDFRm1WwgePUSp65sXRCI4RkJfScYn-yCjNuB-GTt3W-FxoCQL7w_wcB; Retrieved on May 14, 2019.

FurnitureMaxx Besteen Contemporary Wood Dark Gray Dining Room Server; https://www.amazon.com/dp/B07GVS1VK2/ref=cm_sw_r_pi_dp_U_x_evuOBbFM3298G; Retrieved on May 14, 2019.

Jaydyn Media TV Stand/Credenza; https://www.macys.com/shop/product/jaydyn-media-tv-stand-credenza?ID=2883210&CategoryID=35319#fn=FURNITURE_CATEGORY=Buffet%20&%20Sideboards&SIZE=&sp=3&spc=131&ruleId=129%20BOOST%20

(56)

References Cited

OTHER PUBLICATIONS

20ATTRIBUTE%7CBOOST%20SAVED%20SET&searchPass=matchNone&slotId=2; Retrieved on May 14, 2019.

Sideboard; <https://www.allmodern.com/furniture/pdp/sideboard-sct11710.html>; Retrieved on May 14, 2019.

Belham Living Trenton Industrial End Table; https://www.hayneedle.com/product/belham-living-trenton-industrial-end-table-new.cfm?source=pla&kwid=OccasionalTables%20prefer&tid=REDU113-1&adtype=pla&kw=&gclid=EAIaIQobChMIvOu-6veI3wIVB8ZkCh0ZdAf-EAkYAyABEgLyMfD_BwE; Retrieved on May 15, 2019.

Belham Living Hampton Chair Side Table—Black; <https://www.hayneedle.com/product/belham-living-hampton-chair-side-table-black.cfm>; Retrieved on May 15, 2019.

International Concepts Hampton End Table; https://www.hayneedle.com/product/internationalconceptshamptonendtable.cfm?source=pla&kwid=OccasionalTables%20level05&tid=WWI545-1&adtype=pla&kw=&gclid=EAIaIQobChMIpsnoq_mI3wIVGNVCh348gtdEAKYliABEgLP7fD_BwE; Retrieved on May 15, 2019.

Hampton Weathered Taupe Gray Coffee Table; https://www.homedepot.com/p/International-Concepts-Hampton-Weathered-Taupe-Gray-Coffee-Table-OT09-70C/302946359?MERCH=REC--PIPHorizontal2_rr--204737265--302946359--N; Retrieved on May 15, 2019.

Convenience Concepts Oxford Rectangle Coffee Table; https://www.hayneedle.com/product/convenience-concepts-oxford-rectangle-coffee-table.cfm?source=pla&kwid=OccasionalTables%20newskus&tid=CONV338-5&adtype=pla&kw=&gclid=EAIaIQobChMIhuzv9_mI3wIVWx-tBh1rUAItEAKYHyABEgJ2hPD_BwE; Retrieved on May 15, 2019.

Belham Living Jamestown Rustic Coffee Table with Unique Driftwood Finish; <https://www.hayneedle.com/product/jamestown-rustic-coffee-table.cfm>; Retrieved on May 15, 2019.

U.S. Appl. No. 29/654,936, dated Jun. 19, 2019, Notice of Allowance.

U.S. Appl. No. 29/654,479, dated Jun. 27, 2019, Notice of Allowance.

U.S. Appl. No. 29/698,919, filed Jul. 22, 2019, Davis.

U.S. Appl. No. 29/698,928, filed Jul. 22, 2019, Davis.

U.S. Appl. No. 29/698,940, filed Jul. 22, 2019, Davis.

U.S. Appl. No. 29/699,063, filed Jul. 23, 2019, Davis.

U.S. Appl. No. 29/699,066, filed Jul. 23, 2019, Davis.

U.S. Appl. No. 29/699,071, filed Jul. 23, 2019, Davis.

U.S. Appl. No. 29/699,073, filed Jul. 23, 2019, Davis.

U.S. Appl. No. 29/699,078, filed Jul. 23, 2019, Davis.

U.S. Appl. No. 29/699,942, filed Jul. 22, 2019, Davis.

U.S. Appl. No. 29/699,947, filed Jul. 22, 2019, Davis.

Office Action for U.S. Appl. No. 29/654,952 dated Nov. 15, 2019.

Notice of Allowance for U.S. Appl. No. 29/656,492 dated Nov. 18, 2019.

42 in. Metal and Wood Desk with Glass and Shelf Grey Wash by Walker Edison Furniture Company—Home Depot <https://www.homedepot.com/p/Walker-Edison-Furniture-Company-42-in-Metal-and-Wood-Desk-with-Glass-and-Shelf-Grey-Wash-HDM42JERGW/305309102> retrieved from the internet on Sep. 9, 2019.

Dark Walnut Wood and Glass Coffee Table by Walker Edison Furniture Company—Home Depot <https://www.homedepot.com/p/Walker-Edison-Furniture-Company-Dark-Walnut-Wood-and-Glass-Coffee-Table-HDF42JMGLDW/305308482> retrieved from the internet on Nov. 6, 2019.

“Baum TV Stand for TVs up to 58 inches” Wayfair. (Accessed Nov. 14, 2019).

“Dark Walnut 70" TV Stand” Pier1. (Accessed Nov. 14, 2019).

“Seren TV Stand for TVs up to 50 inches” Wayfair. (Accessed Nov. 14, 2019).

“Shreffler TV Stand for TVs up to 78 inches” Wayfair. (Accessed Nov. 14, 2019).

Office Action for U.S. Appl. No. 29/634,946 dated Dec. 12, 2019.

Notice of Allowance for U.S. Appl. No. 29/656,485 dated Dec. 18, 2019.

Pinterest; www.pinterest.com/pin/336328451393621/; Retrieved on Jun. 12, 2019.

Target Winham TV Stand—Threshold; www.target.com/p/windham-tv-stand-threshold-153/-/A-54301349; Retrieved on Jun. 12, 2019.

Pinterest DIY Farmhouse Coffee Table Cabinet; www.pinterest.com/pin/33636328450994833/; Retrieved on Jun. 12, 2019.

Image seen on Pinterest DIY Project; Pinterest.com; Seen approximately Aug. 1, 2017.

World Market—Metal Bexley Bar; www.worldmarket.com/product/metal+bexley+bar.do?pp=1; Retrieved on Sep. 25, 2019.

Overstock—Nova Domus Soria Modern Walnut TV Stand; https://www.overstock.com/Home-Garden/Nova-Domus-Soria-Modern-Walnut-TV-Stand/10359356/product.html?utm_campaign=pin_button&utm_medium=Social&utm_source=Pinterest; Retrieved on Jun. 12, 2019.

Restriction Requirement for U.S. Appl. No. 29/654,950 dated Sep. 25, 2019.

Office Action for U.S. Appl. No. 29/656,497 dated Sep. 25, 2019.

Notice of Allowance for U.S. Appl. No. 29/656,486 dated Sep. 27, 2019.

Notice of Allowance for U.S. Appl. No. 29/656,485 dated Oct. 2, 2019.

Notice of Allowance for U.S. Appl. No. 29/656,479 dated Oct. 21, 2019.

Office Action for U.S. Appl. No. 29/656,499, dated Sep. 26, 2019.

Electric Fireplaces Direct.com. <https://www.electricfireplacesdirect.com/products-accessories/tv-media-consoles/shelby-electric-fireplace-media-console-in-white-c3p18c9-2030w.html>. “Shelby Electric Fireplace Media Console in White”. Date unknown: Viewed Dec. 2019 (Year: 2019).

Pikove. <https://pikove.com/media/509962357792326443>. “Home Decor”. Feb. 2017 (Year: 2017).

Luno. <https://iamluno.com/product/kc27-record-console-new/>. “KC27 HIFI Record Console”. Date unknown: Viewed Dec. 2019 (Year: 2019).

U.S. Appl. No. 29/654,950, dated Dec. 27, 2019, Notice of Allowance.

U.S. Appl. No. 29/656,499, dated Jan. 23, 2020, Notice of Allowance.

U.S. Appl. No. 29/656,497, dated Jan. 23, 2020, Notice of Allowance.

* cited by examiner

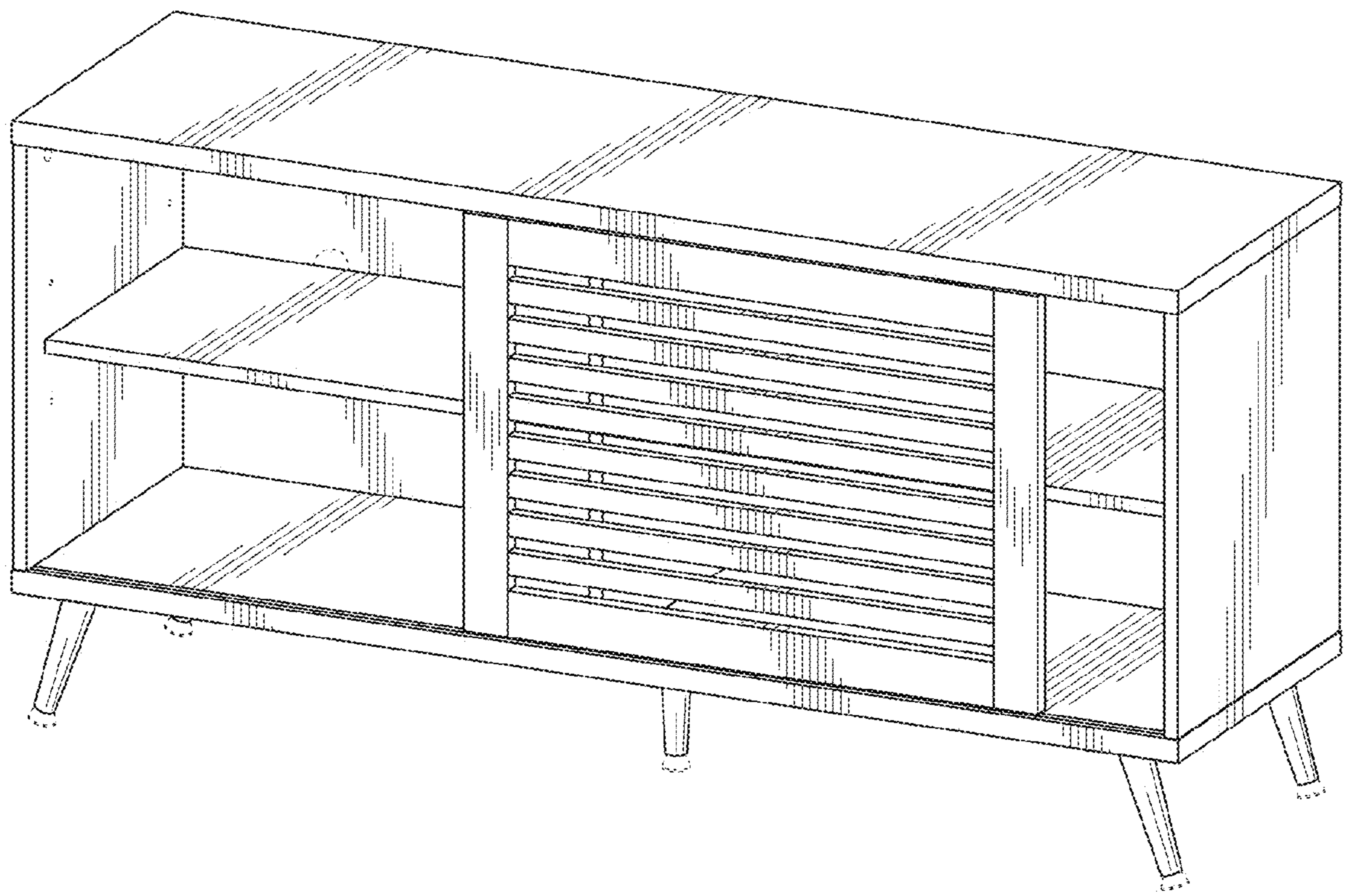


FIG. 1

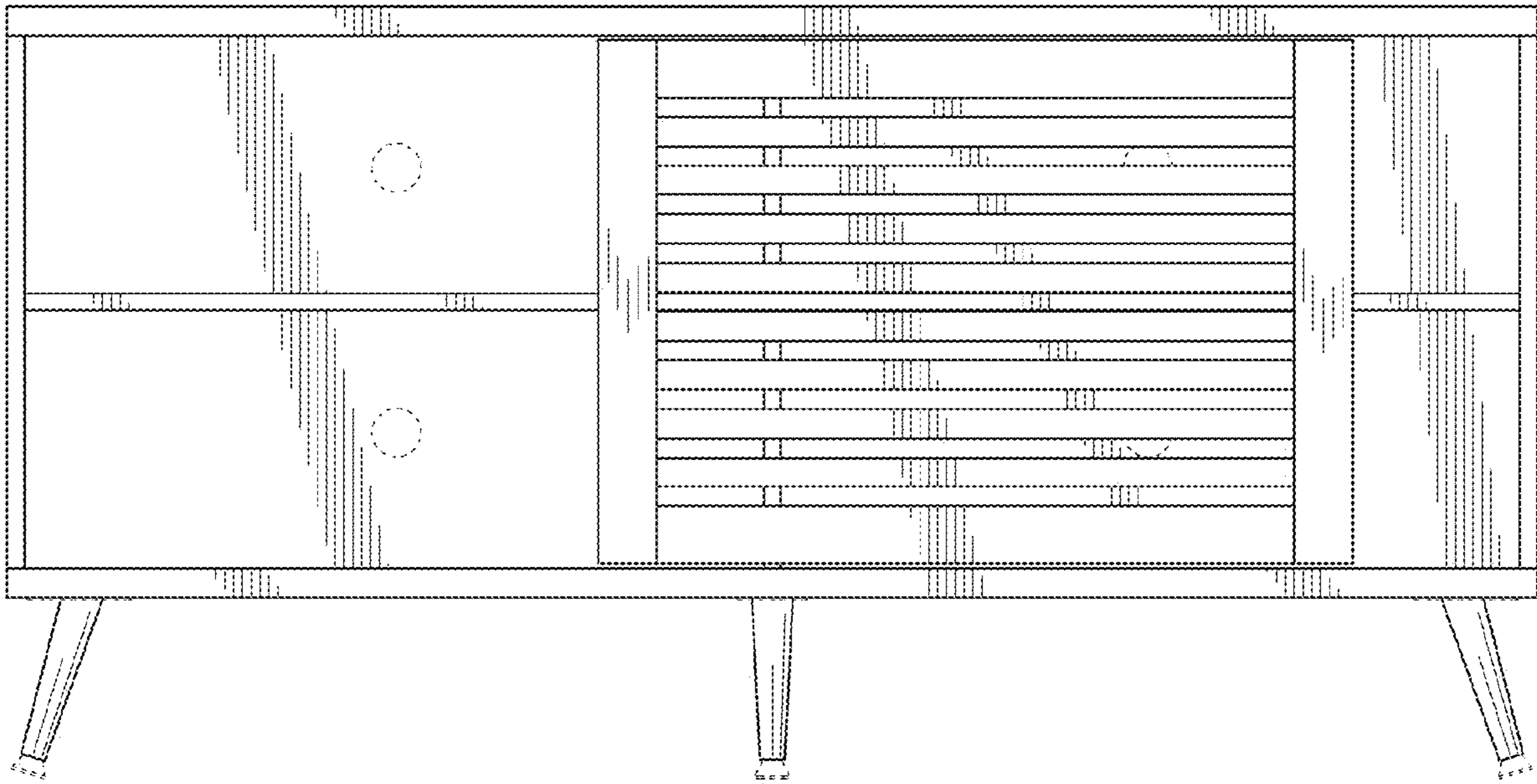


FIG. 2

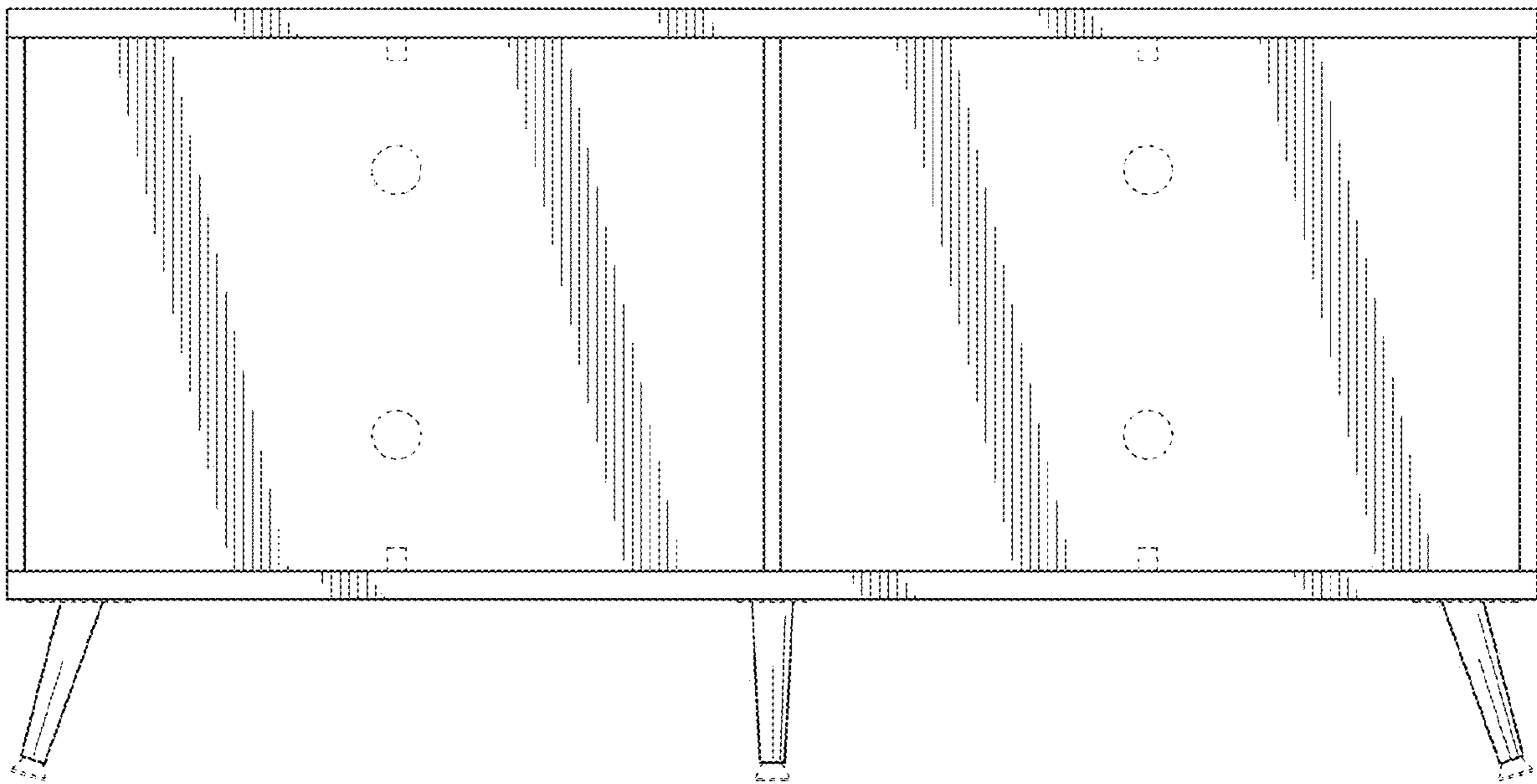


FIG. 3

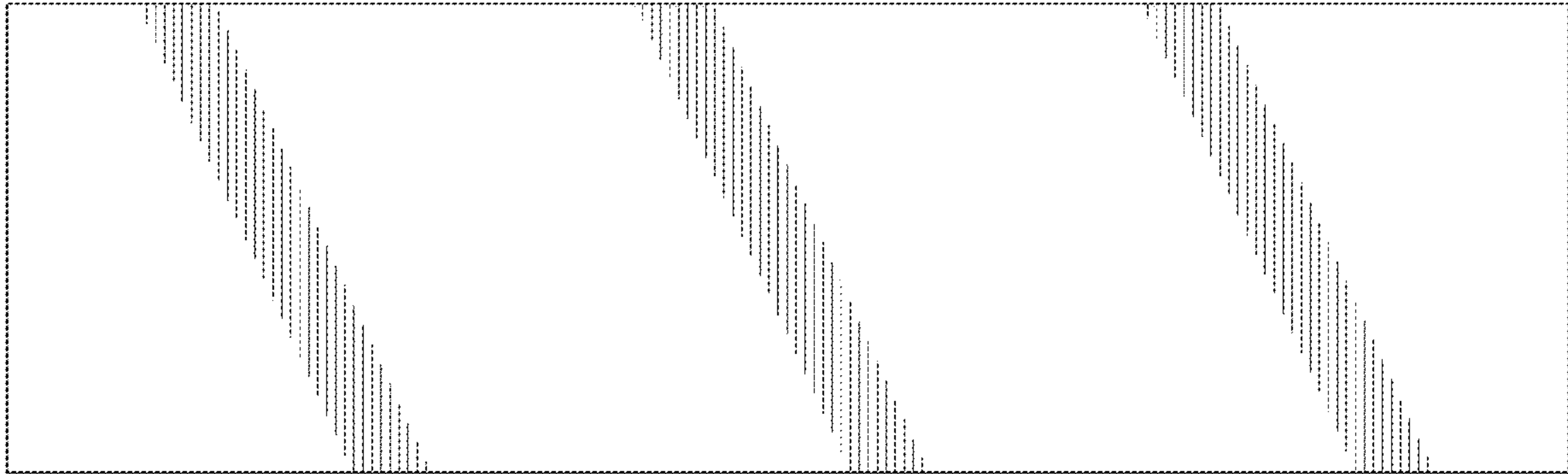


FIG. 4

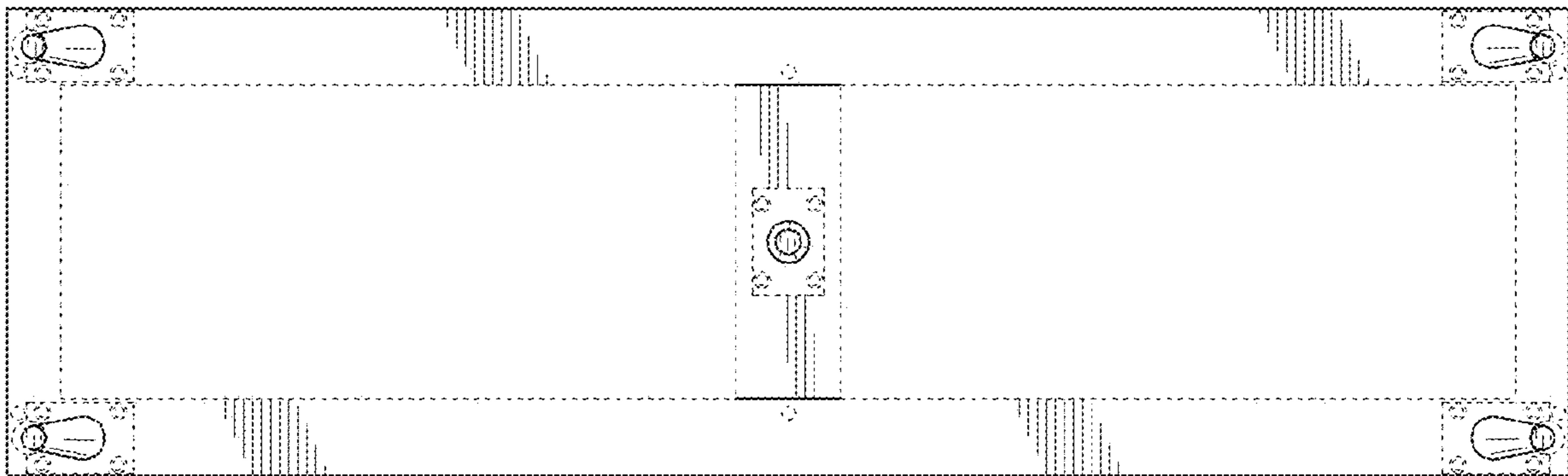


FIG. 5

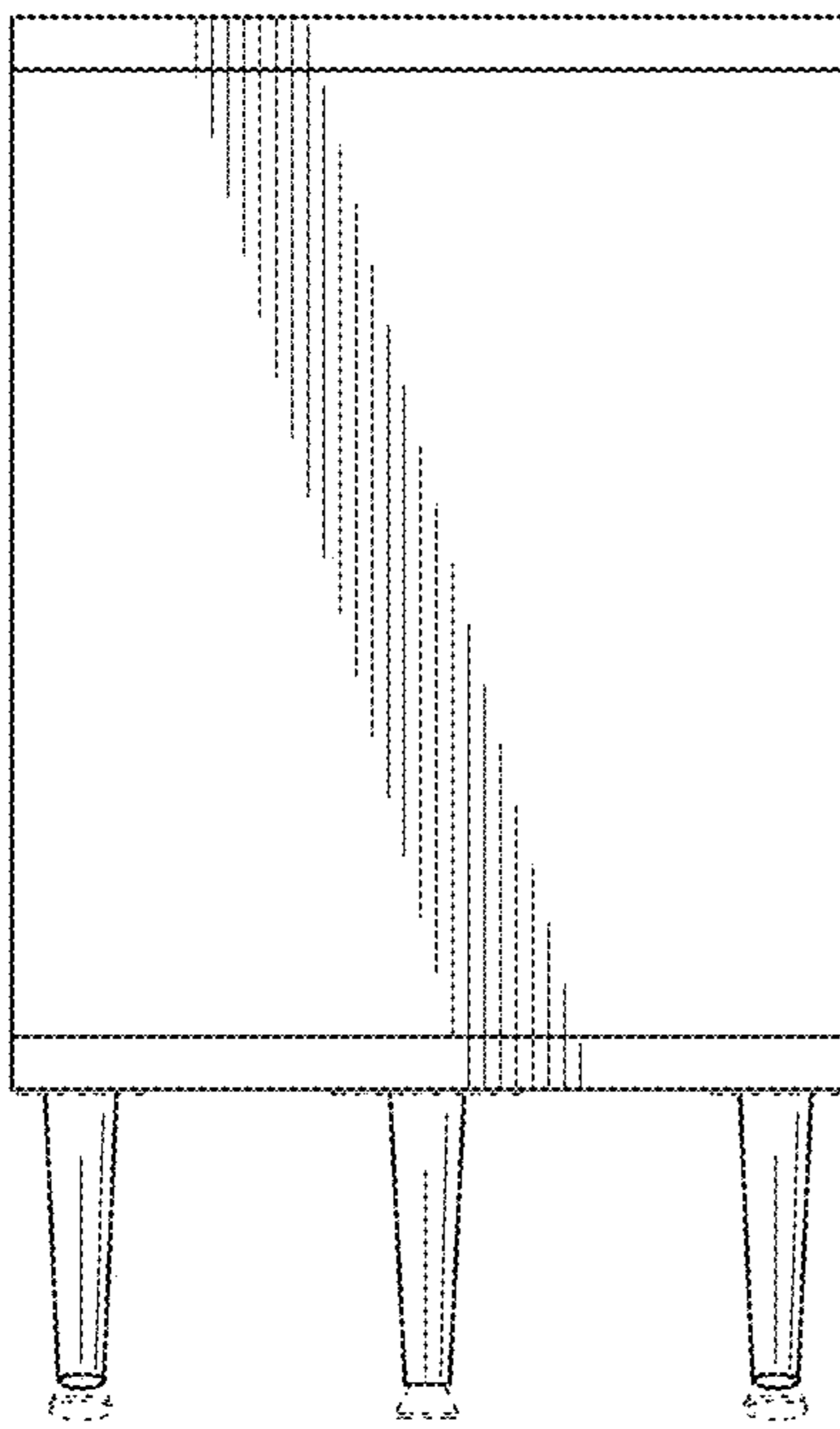


FIG. 6

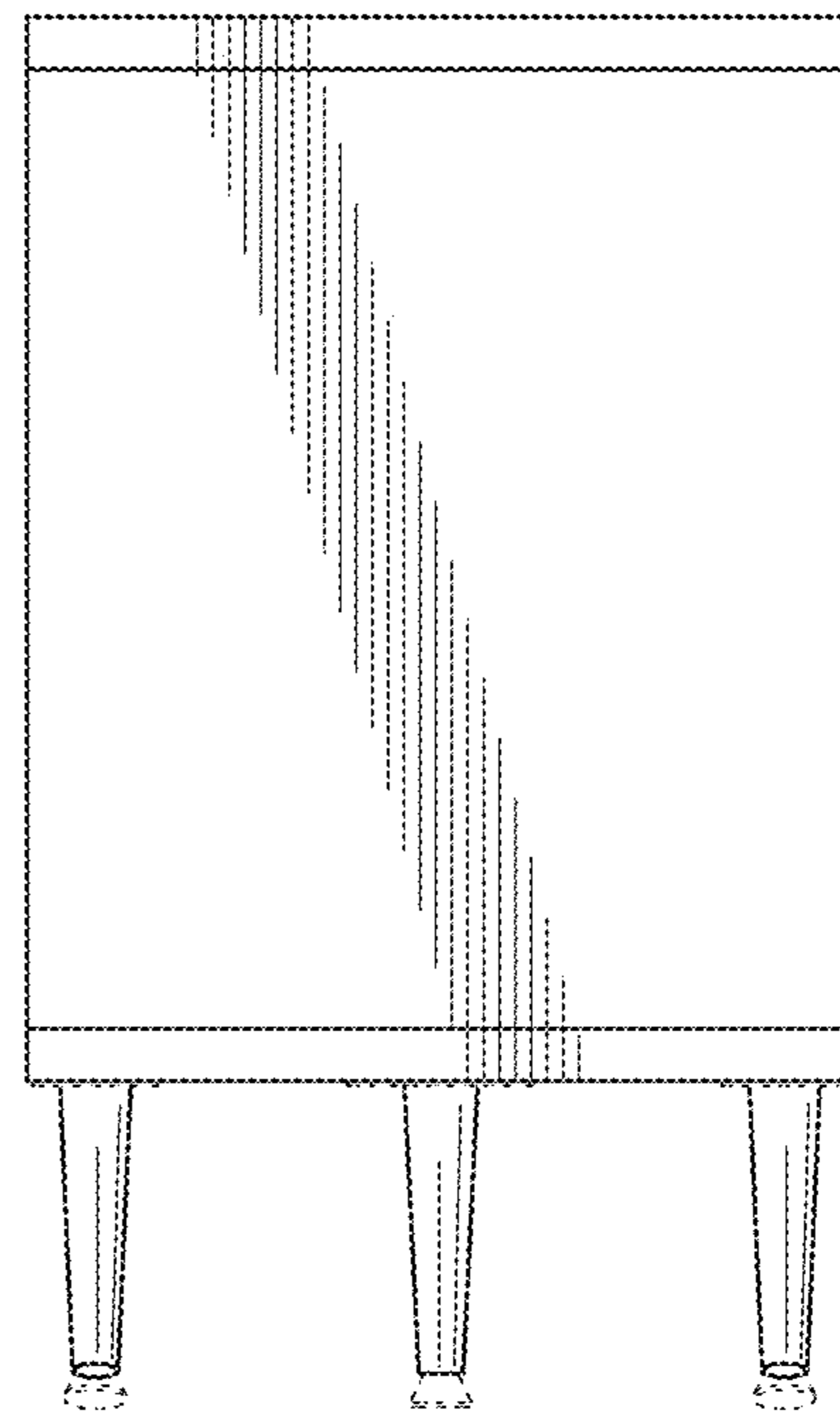


FIG. 7

UNITED STATES PATENT AND TRADEMARK OFFICE
CERTIFICATE OF CORRECTION

PATENT NO. : D879,516 S
APPLICATION NO. : 29/656489
DATED : March 31, 2020
INVENTOR(S) : Davis et al.

Page 1 of 1

It is certified that error appears in the above-identified patent and that said Letters Patent is hereby corrected as shown below:

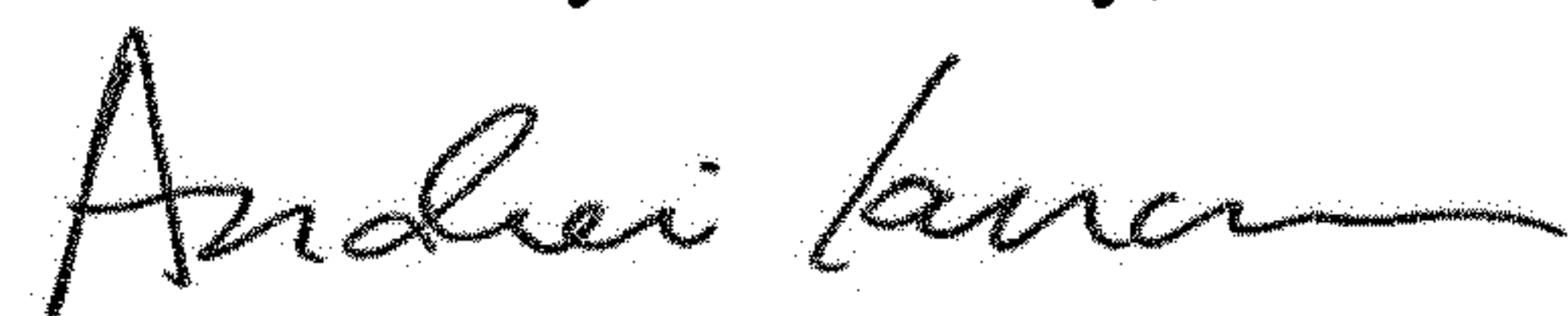
On the Title Page

Page 4

Item (56), References Cited, Foreign Patent Documents, change “CN 1305138614 5/2019” to
—CN 305138614 5/2019—

Item (56), References Cited, Foreign Patent Documents, change “GB 54034171 7/2014” to
—GB 4034171 7/2014—

Signed and Sealed this
Fifth Day of January, 2021



Andrei Iancu
Director of the United States Patent and Trademark Office