



US00D879514S

(12) **United States Design Patent**
Goldberg et al.

(10) **Patent No.:** **US D879,514 S**
(45) **Date of Patent:** **** Mar. 31, 2020**

(54) **DESK**

(71) Applicant: **Playground Store Limited**, Tsim Sha Tsui East (HK)

(72) Inventors: **Daniel Goldberg**, Lido Beach, NY (US); **Robert Levine**, Shouson Hill (HK); **Jedediah J. McCann**, Seattle, WA (US); **Gregory T. Janky**, Sammamish, WA (US); **Treasure Hinds**, Issaquah, WA (US)

(73) Assignee: **Playground Store Limited**, Tsim Sha Tsui East (HK)

(**) Term: **15 Years**

(21) Appl. No.: **29/644,168**

(22) Filed: **Apr. 16, 2018**

(51) **LOC (12) Cl.** **06-03**

(52) **U.S. Cl.**
USPC **D6/656.16**

(58) **Field of Classification Search**
USPC D6/353, 368, 642, 644, 649, 651, 655, D6/655.1, 655.11, 655.12, 655.13, 655.14, D6/655.15, 655.16, 655.17, 655.18, 655.2, D6/655.21, 656, 656.11, 656.13, 656.15, D6/656.16, 656.17, 656.19, 657, 663, D6/686, 691, 709
CPC A47B 81/00; A47B 88/00; A47B 88/41; A47B 88/42; A47B 2210/16; B62B 3/00; B60B 33/00
See application file for complete search history.

(56) **References Cited**

U.S. PATENT DOCUMENTS

240,301 A 4/1881 Buss
617,669 A 1/1899 Blakemore
1,203,783 A 11/1916 Reischmann
(Continued)

FOREIGN PATENT DOCUMENTS

CH 588230 A5 5/1977
CH 632654 A5 10/1982
(Continued)

OTHER PUBLICATIONS

International Search Report for PCT/IB2018/000477 by the China National Intellectual Property Administration, Jan. 29, 2019, 4 pages.

(Continued)

Primary Examiner — Mary Ann Calabrese

Assistant Examiner — Catherine Ho

(74) *Attorney, Agent, or Firm* — Michael Crilly, Esquire

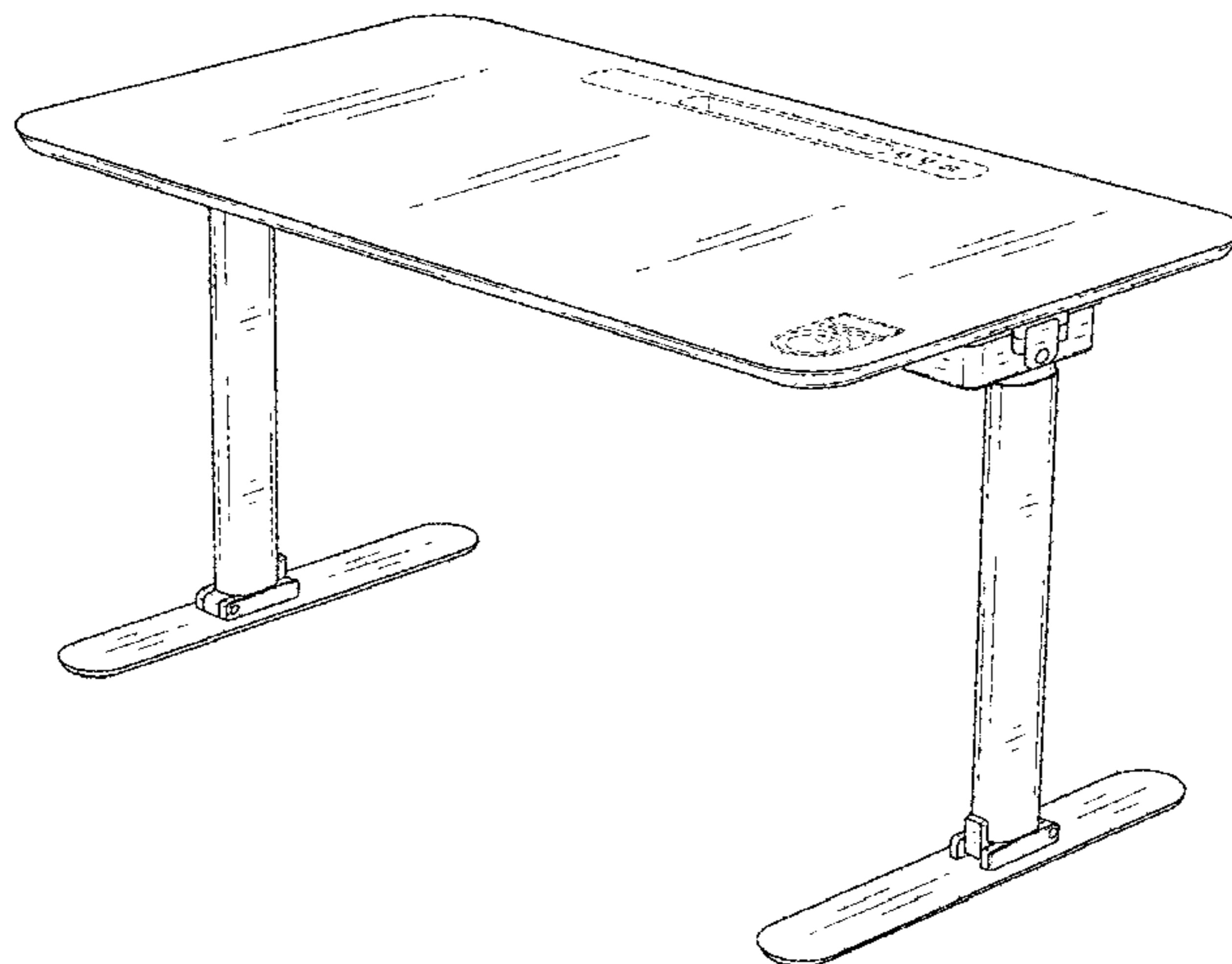
(57) **CLAIM**

We claim the ornamental design for a desk, as shown and described.

DESCRIPTION

This application is related to concurrently filed, co-pending, and commonly assigned U.S. Design patent application Ser. No. 29/644,198, entitled Desk System, the disclosures of which are hereby incorporated herein by reference thereto. FIG. 1 is a top right side perspective view of a desk, showing our new design; FIG. 2 is a bottom right side perspective view thereof; FIG. 3 is a left side elevation view thereof; FIG. 4 is a right side elevation view thereof; FIG. 5 is a front side elevation view thereof; FIG. 6 is a rear side elevation view thereof; FIG. 7 is a top plan view thereof; FIG. 8 is a bottom plan view thereof; FIG. 9 is a fragmentary cross-sectional view taken along line 9-9 in FIG. 8; and, FIG. 10 is a fragmentary cross-sectional view taken along line 10-10 in FIG. 8. The broken line portion of the figure drawings is included to show portions of the article that form no part of the claimed design.

1 Claim, 8 Drawing Sheets



(56)

References Cited

U.S. PATENT DOCUMENTS

1,216,414 A 2/1917 Calkins
 1,788,666 A 1/1931 Enders
 1,959,725 A 5/1934 Lindsay
 2,683,277 A 7/1954 Bernaerts
 2,684,275 A 7/1954 Guth et al.
 2,684,883 A 7/1954 Wigell
 2,805,906 A 9/1957 Hoven et al.
 2,911,274 A 11/1959 Grube
 3,676,279 A 7/1972 Beaver
 3,845,728 A 11/1974 Piretti
 4,079,679 A 3/1978 Bechtold
 4,238,100 A 12/1980 Shy
 4,323,291 A 4/1982 Ball
 4,440,096 A 4/1984 Rice et al.
 4,444,124 A 4/1984 Burr
 4,561,622 A 12/1985 Heinzl
 4,573,415 A 3/1986 Ramey
 4,654,756 A 3/1987 Wilson et al.
 4,714,025 A 12/1987 Wallin et al.
 4,792,881 A 12/1988 Wilson et al.
 D299,798 S 2/1989 Sottsas et al.
 4,883,314 A 11/1989 Sakong
 4,890,869 A 1/1990 Langkamp, Jr.
 4,927,105 A 5/1990 Habermann
 5,088,421 A 2/1992 Beckstead
 5,101,736 A 4/1992 Bommarito et al.
 D334,678 S * 4/1993 Hinden D6/656.13
 D335,406 S 5/1993 Vonhausen
 5,226,250 A 7/1993 Ulmer et al.
 5,231,562 A 7/1993 Pierce et al.
 5,259,326 A 11/1993 Borgman et al.
 5,323,695 A 6/1994 Borgman et al.
 5,323,713 A 6/1994 Luyk et al.
 5,404,962 A 4/1995 Carter
 5,495,811 A 3/1996 Carson et al.
 5,562,051 A 10/1996 Rizzi
 5,636,578 A 6/1997 Rizzi
 5,669,314 A 9/1997 Grant
 5,673,633 A 10/1997 Pfister
 5,709,156 A 1/1998 Gevaert et al.
 5,711,098 A 1/1998 Warne
 D399,077 S 10/1998 Lepper et al.
 5,845,589 A 12/1998 Pfister
 D410,806 S * 6/1999 Olson D6/656.16
 6,086,028 A 7/2000 Pfister
 6,202,567 B1 3/2001 Funk et al.
 6,202,571 B1 3/2001 Pallares
 6,595,144 B1 7/2003 Doyle
 6,637,352 B1 10/2003 Thode et al.
 6,920,832 B2 7/2005 Lou-Hao
 6,962,115 B2 11/2005 Markling et al.
 7,350,469 B2 4/2008 Koning et al.
 7,631,604 B2 12/2009 Huang
 7,908,981 B2 3/2011 Agee
 7,942,100 B2 5/2011 Grove et al.
 8,051,782 B2 11/2011 Nethken et al.
 8,069,795 B1 12/2011 Williams et al.
 8,087,738 B2 1/2012 Henriott et al.
 8,132,517 B2 3/2012 Leng
 8,240,257 B2 8/2012 Frost
 8,256,359 B1 9/2012 Agee
 D675,041 S * 1/2013 Mecherle D6/691
 8,413,594 B2 4/2013 Ensley
 8,490,555 B1 7/2013 Agee
 8,893,628 B2 11/2014 McKenzie, III et al.
 8,925,469 B2 1/2015 Bennie et al.
 9,084,475 B2 7/2015 Hjelm
 9,486,070 B2 11/2016 Labrosse et al.
 9,504,318 B1 11/2016 O'Keefe et al.
 D776,961 S 1/2017 Yamamoto
 9,585,467 B2 3/2017 Leng
 9,609,945 B2 4/2017 Krusin et al.
 9,635,932 B2 5/2017 Kelley et al.

9,723,920 B1 8/2017 Wu
 9,814,307 B1 * 11/2017 Hall B25H 1/14
 9,907,396 B1 3/2018 Labrosse et al.
 9,971,340 B1 5/2018 Labrosse et al.
 D819,371 S * 6/2018 Cao D6/656.16
 9,993,068 B2 * 6/2018 Lin A47B 9/00
 D862,129 S * 10/2019 Hu D6/656.17
 10,455,932 B2 * 10/2019 Lin A47B 9/00
 2003/0167980 A1 9/2003 Suzuki
 2005/0183641 A1 8/2005 Suzuki
 2005/0235886 A1 10/2005 Koning et al.
 2005/0263045 A1 12/2005 Lietuvietis
 2006/0021553 A1 2/2006 Pleiman et al.
 2007/0157856 A1 7/2007 Skoog et al.
 2007/0234934 A1 10/2007 Branch et al.
 2007/0289506 A1 12/2007 Branch et al.
 2008/0245279 A1 10/2008 Pan
 2009/0151608 A1 6/2009 Aldred
 2010/0175598 A1 7/2010 Ballendat
 2010/0231102 A1 9/2010 Block et al.
 2011/0147547 A1 6/2011 Fitzpatrick et al.
 2012/0248910 A1 * 10/2012 Randlov A47B 9/04
 310/83
 2013/0293173 A1 * 11/2013 Strothmann A47B 9/20
 318/466
 2014/0165884 A1 6/2014 O'Gara
 2015/0096477 A1 4/2015 Liu et al.
 2016/0037904 A1 * 2/2016 Wu A47B 3/002
 248/550
 2016/0170402 A1 * 6/2016 Lindstrom A47B 9/00
 700/275
 2016/0309889 A1 10/2016 Lin et al.
 2017/0042322 A1 2/2017 Labrosse et al.
 2017/0055720 A1 3/2017 Lin et al.
 2017/0251806 A1 9/2017 Newman
 2017/0354244 A1 12/2017 Lee et al.
 2017/0354248 A1 12/2017 Cohen et al.
 2018/0110324 A1 4/2018 Keller et al.
 2019/0082823 A1 * 3/2019 Applegate A47B 3/08

FOREIGN PATENT DOCUMENTS

CN 1795784 A 7/2006
 CN 200947912 Y 9/2007
 CN 101677680 A 3/2010
 CN 203776371 U 8/2014
 CN 105476268 A 4/2016
 DE 1654640 B1 2/1971
 DE 9104753 U1 7/1991
 DE 202014101396 U1 5/2014
 DE 102015008908 A1 1/2017
 EP 0176955 A2 4/1986
 EP 1498047 A1 1/2005
 EP 1829461 A2 9/2007
 EP 1836925 A1 9/2007
 EP 2027793 A1 2/2009
 EP 2796071 A1 10/2014
 EP 2881007 A1 10/2015
 EP 3001929 A1 4/2016
 GB 191517508 9/1920
 GB 783688 9/1957
 GB 930899 A 7/1963
 GB 2446570 A 8/2008
 NL 1028900 10/2006
 WO 2005085661 A1 9/2005
 WO 2014/153613 A1 10/2014
 WO 2016059534 A1 4/2016

OTHER PUBLICATIONS

Written Opinion of the International Search Authority for PCT/IB2018/000477 by the China National Intellectual Property Administration, Jan. 29, 2019, 4 pages.

* cited by examiner

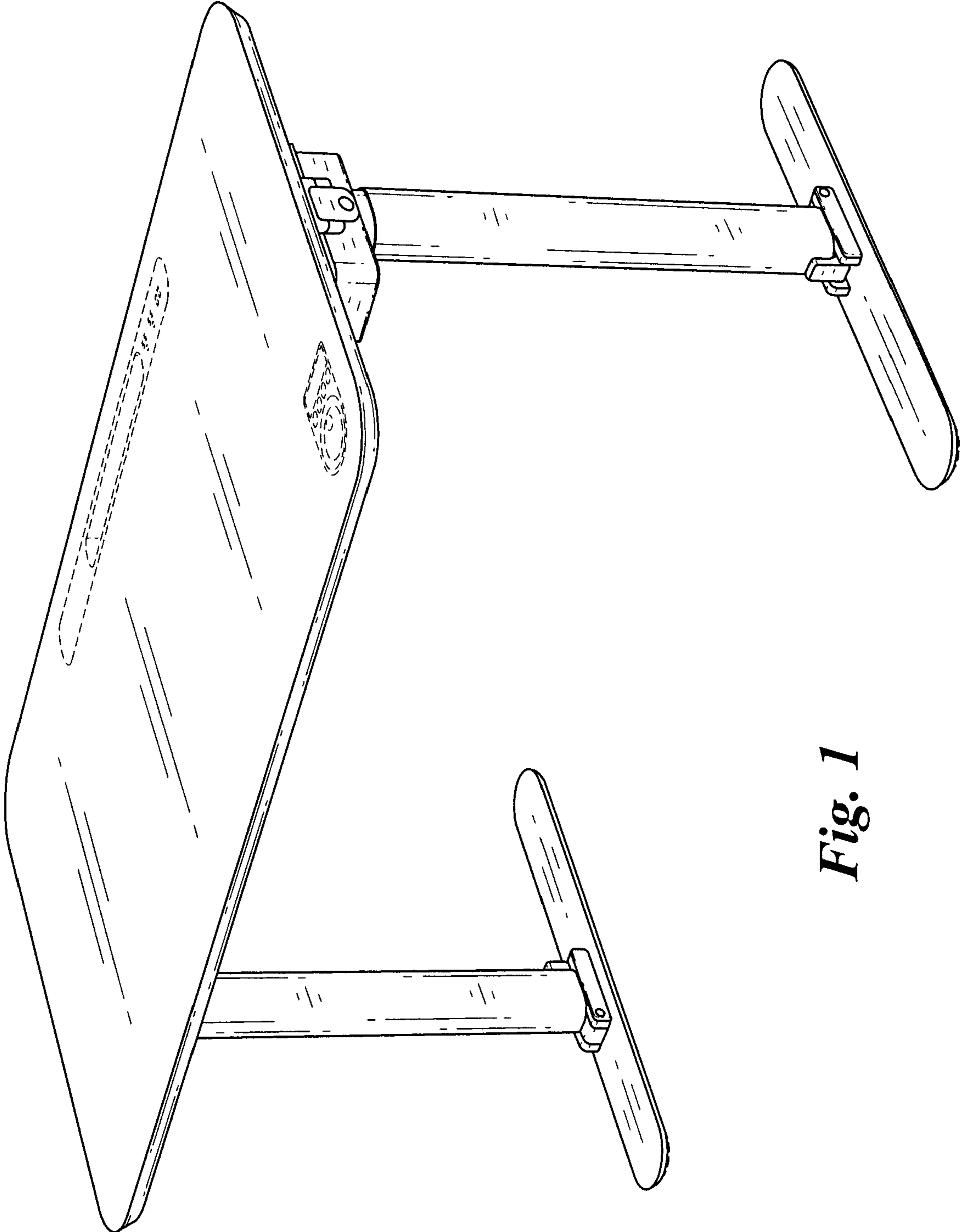


Fig. 1

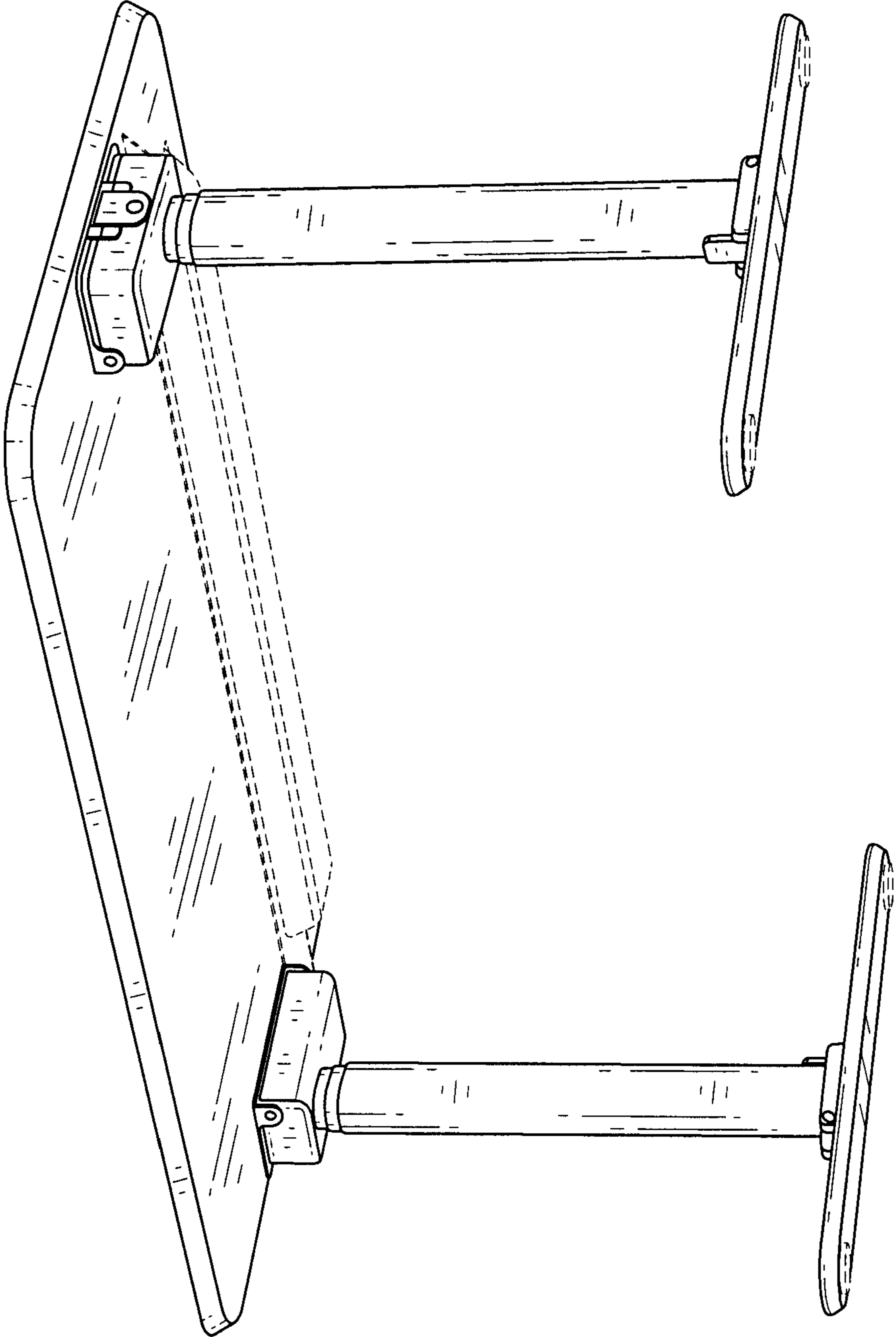


Fig. 2

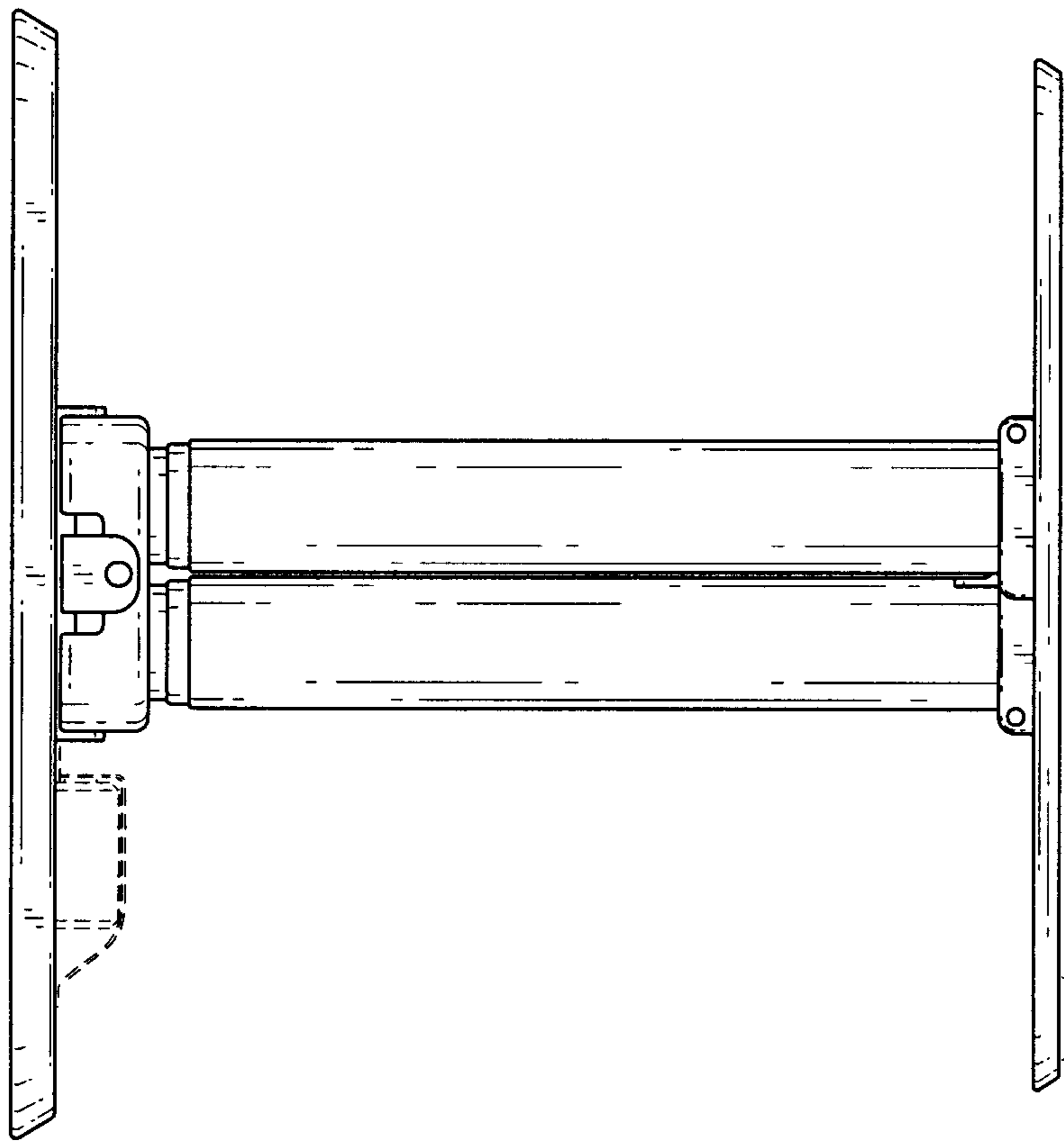


Fig. 3

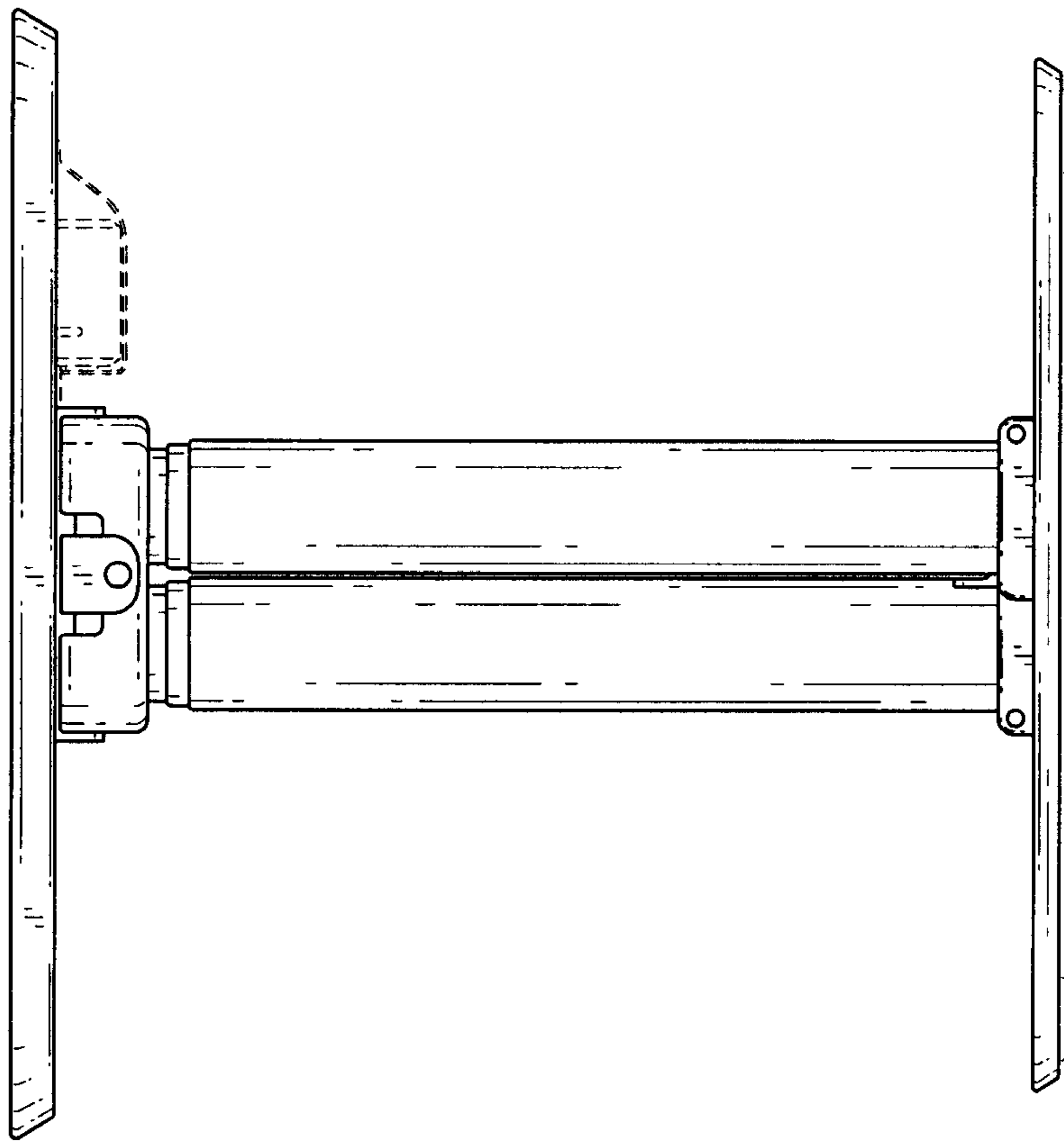


Fig. 4

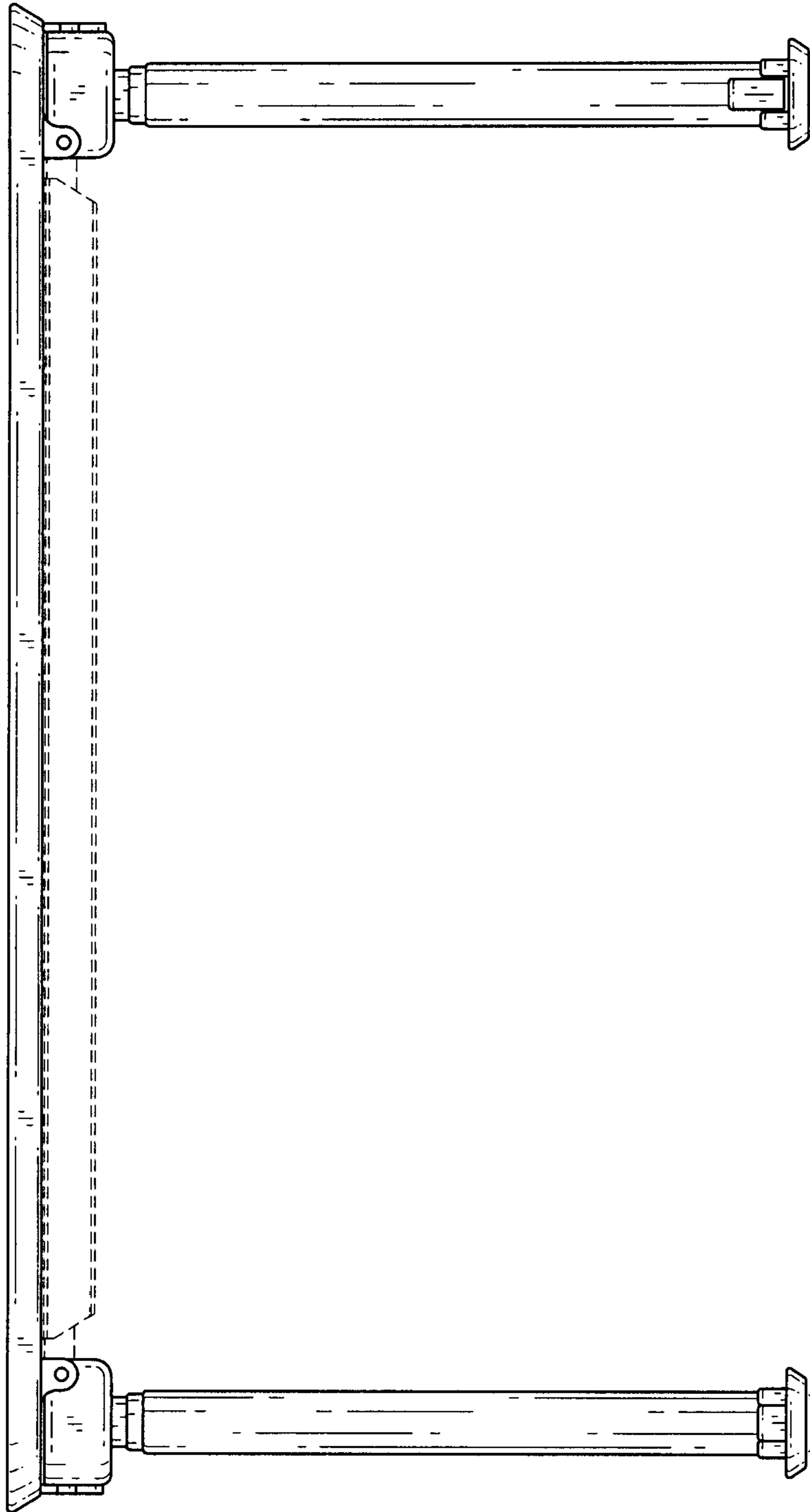


Fig. 5

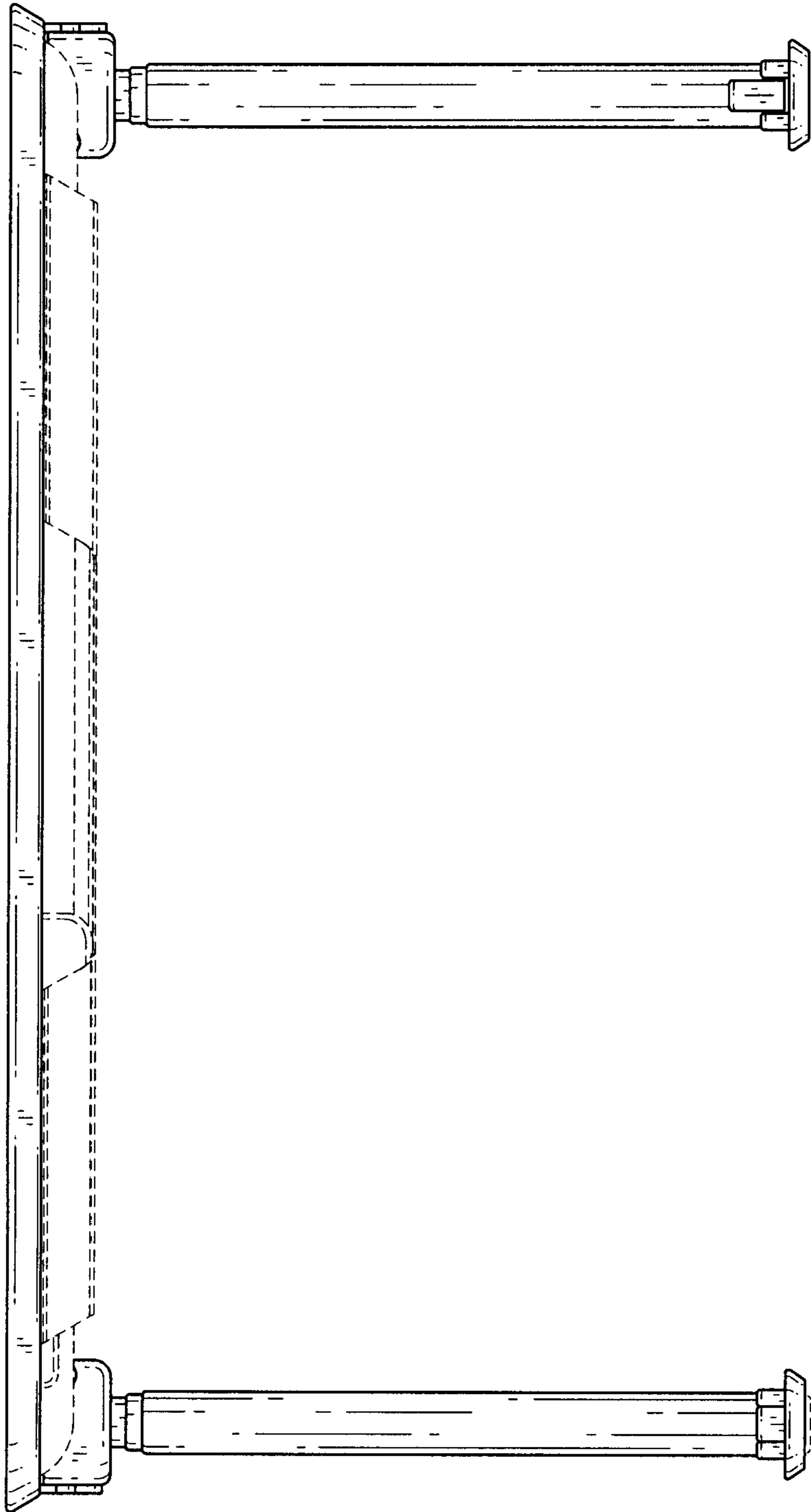


Fig. 6

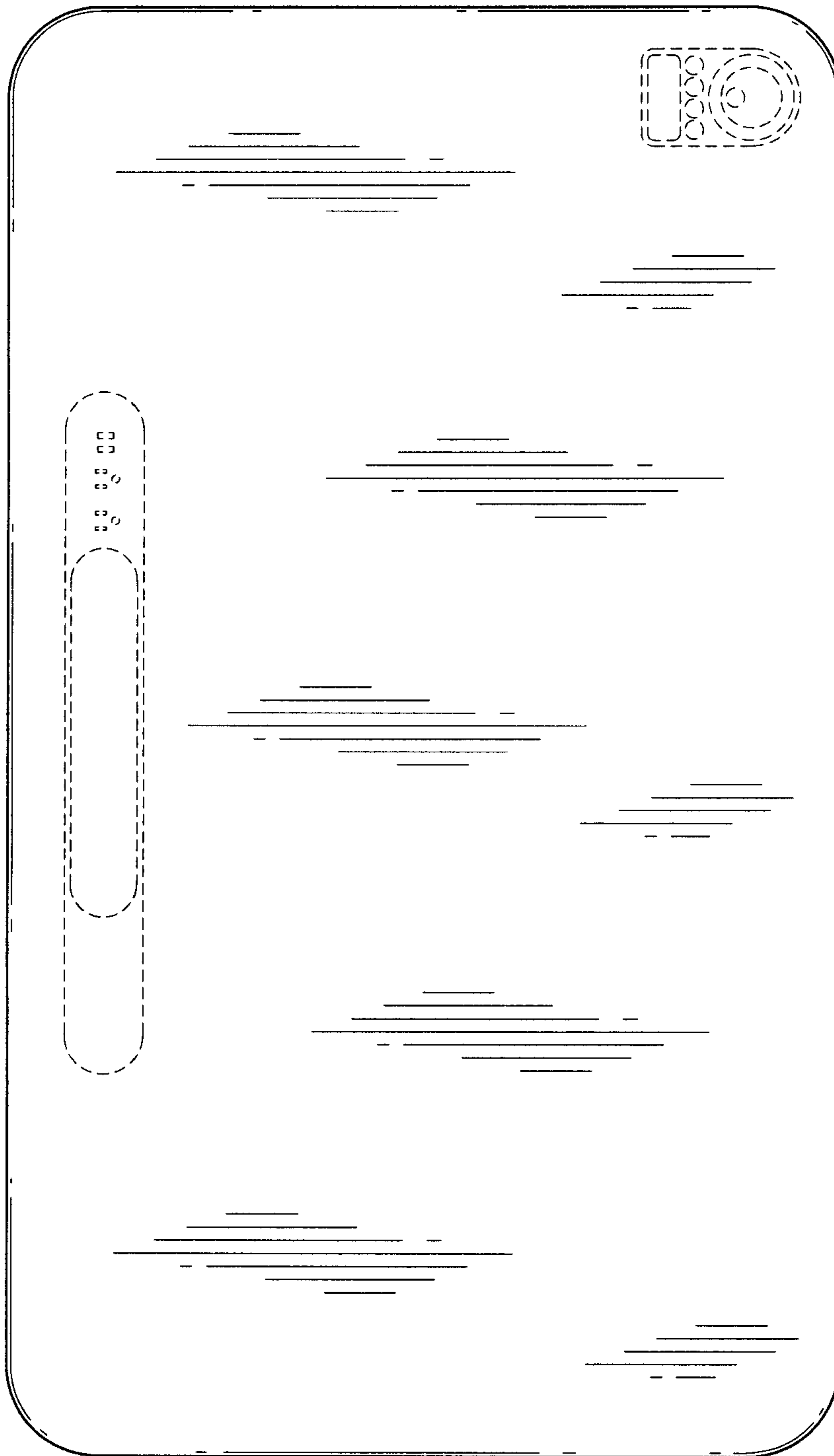


Fig. 7

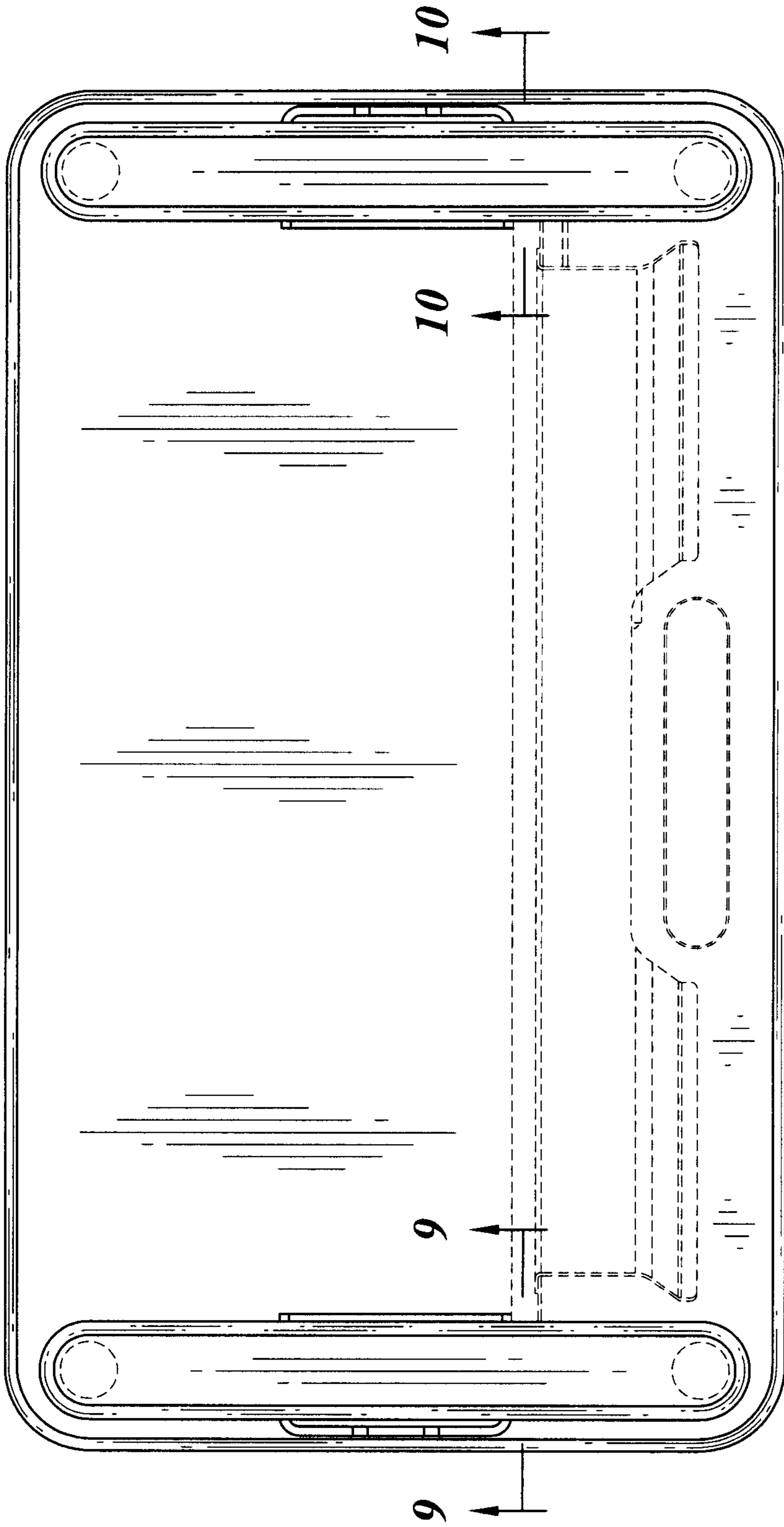


Fig. 8

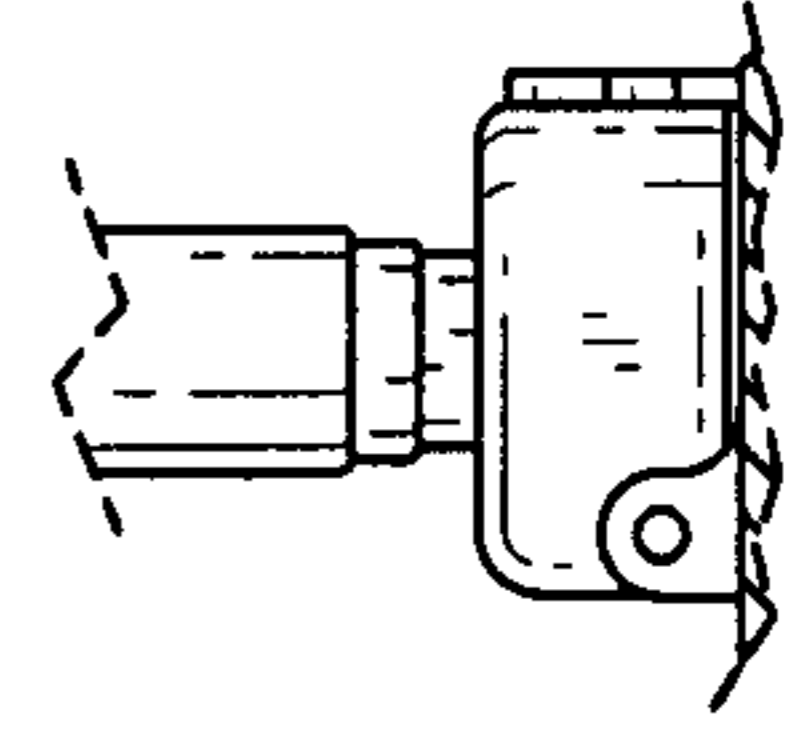


Fig. 9

Fig. 10

