

US00D879513S

(12) **United States Design Patent**
Pei

(10) **Patent No.:** **US D879,513 S**
(45) **Date of Patent:** **** Mar. 31, 2020**

(54) **DESK**
(71) Applicant: **Xu Bo Pei**, Shenzhen (CN)
(72) Inventor: **Xu Bo Pei**, Shenzhen (CN)
(**) Term: **15 Years**
(21) Appl. No.: **29/639,299**
(22) Filed: **Mar. 5, 2018**
(30) **Foreign Application Priority Data**
Jan. 8, 2018 (CN) 2018 3 0007158
(51) **LOC (12) Cl.** **06-03**
(52) **U.S. Cl.**
USPC **D6/656.15**
(58) **Field of Classification Search**
USPC D6/641, 642, 655.2, 656, 656.11,
D6/656.13–656.15, 656.19, 685, 686, 691,
D6/691.1–691.9
CPC A47B 3/0815; A47B 3/0818; A47B 7/00;
A47B 9/00; A47B 9/10; A47B 9/20;
A47B 13/00; A47B 13/02; A47B 13/023;
A47B 13/04; A47B 13/06; A47B 13/08;
A47B 13/10; A47B 17/00; A47B 21/00;
A47B 21/02; A47B 2200/0001; A47B
2200/0011; A47B 2200/002; A47B
2200/0021; A47B 2200/0035; A47B
2200/0051
See application file for complete search history.

(56) **References Cited**
U.S. PATENT DOCUMENTS
D219,033 S * 10/1970 Salsgiver D6/656.11
D378,635 S * 4/1997 Studer A47B 9/00
D6/656.15

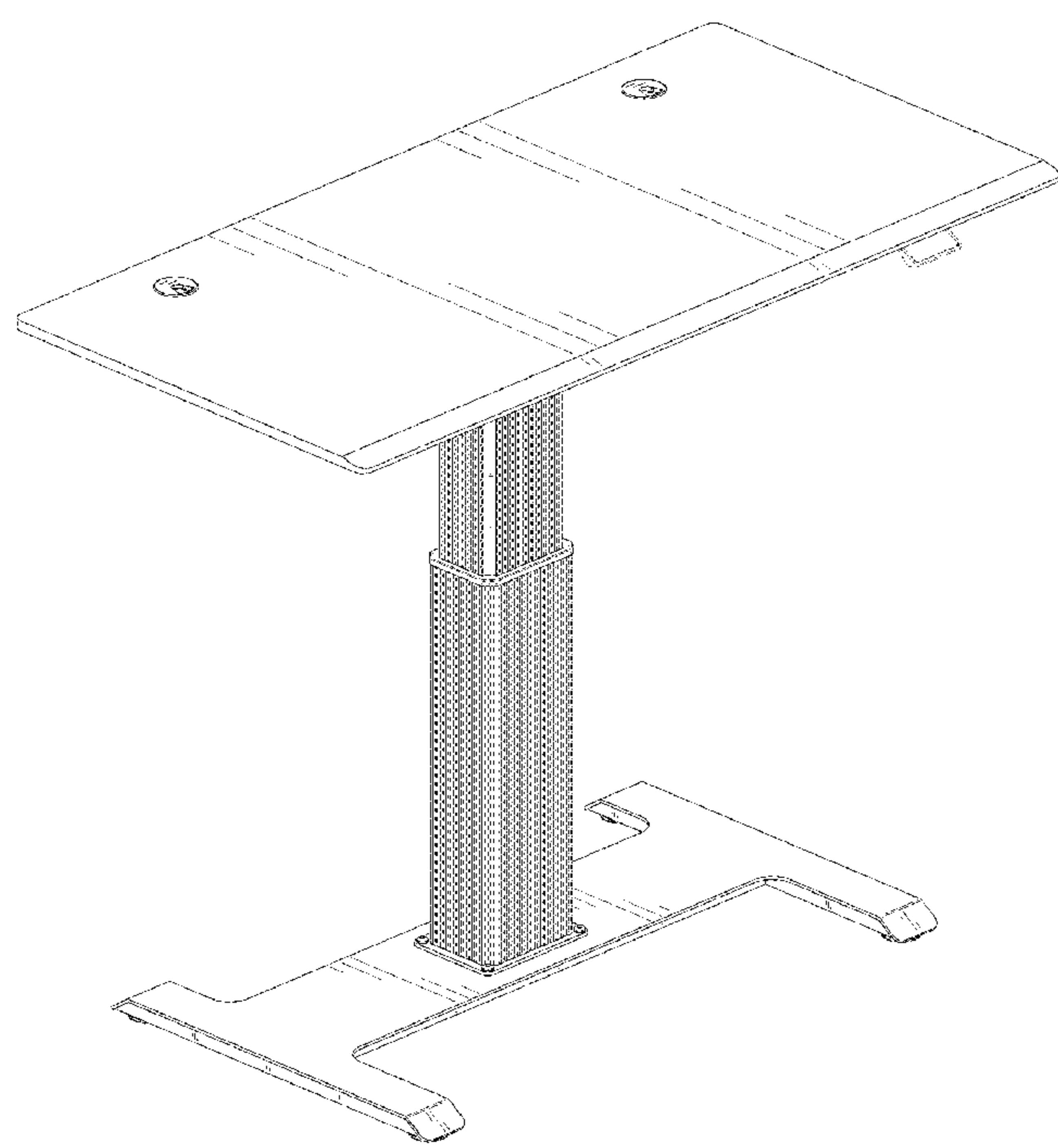
6,840,180 B2 * 1/2005 Ulmer A47B 13/023
108/13
7,546,810 B2 * 6/2009 Hernandez A47B 3/0815
108/115
D774,810 S * 12/2016 Biddle A47B 13/023
D6/691.4
D815,463 S * 4/2018 Kobayashi A47B 3/0815
D6/655.2
2007/0095257 A1 * 5/2007 Hernandez A47B 3/0815
108/115
2009/0266274 A1 * 10/2009 Berlin A47B 9/20
108/6
2015/0164218 A1 * 6/2015 Bonuccelli A47B 9/20
108/147.19
2019/0298055 A1 * 10/2019 Yamamoto A47B 9/00

* cited by examiner
Primary Examiner — Mary Ann Calabrese
(74) *Attorney, Agent, or Firm* — JCIPRNET

(57) **CLAIM**
The ornamental design for a desk, as shown and described.

DESCRIPTION
FIG. 1 is a perspective view of a desk showing my new design;
FIG. 2 is a front view thereof;
FIG. 3 is a rear view thereof;
FIG. 4 is a left side view thereof;
FIG. 5 is a right side view thereof;
FIG. 6 is a top view thereof; and,
FIG. 7 is a bottom view thereof.
The broken lines shown in the drawings represent portions of the desk that form no part of the claimed design.

1 Claim, 6 Drawing Sheets



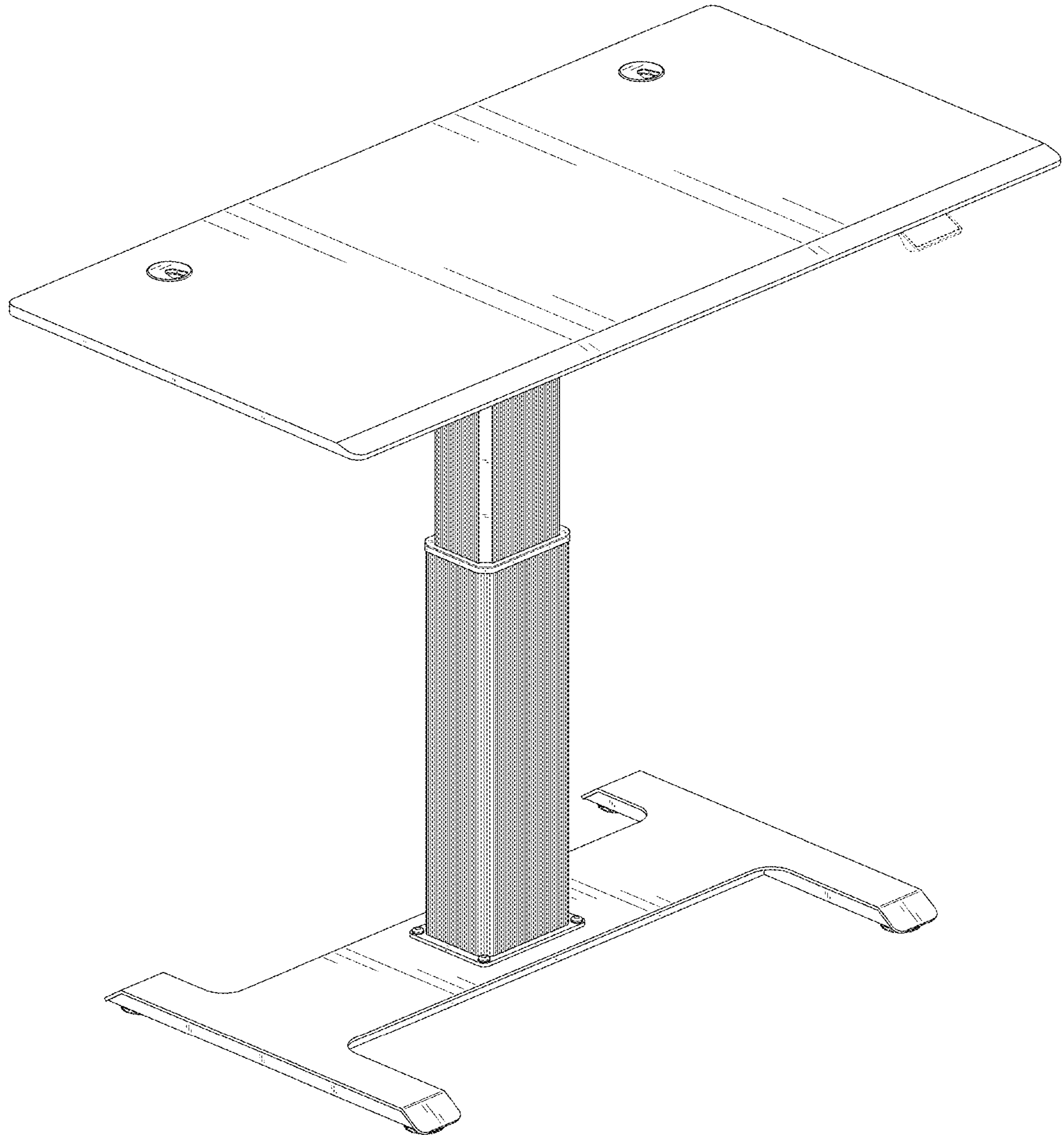


FIG. 1

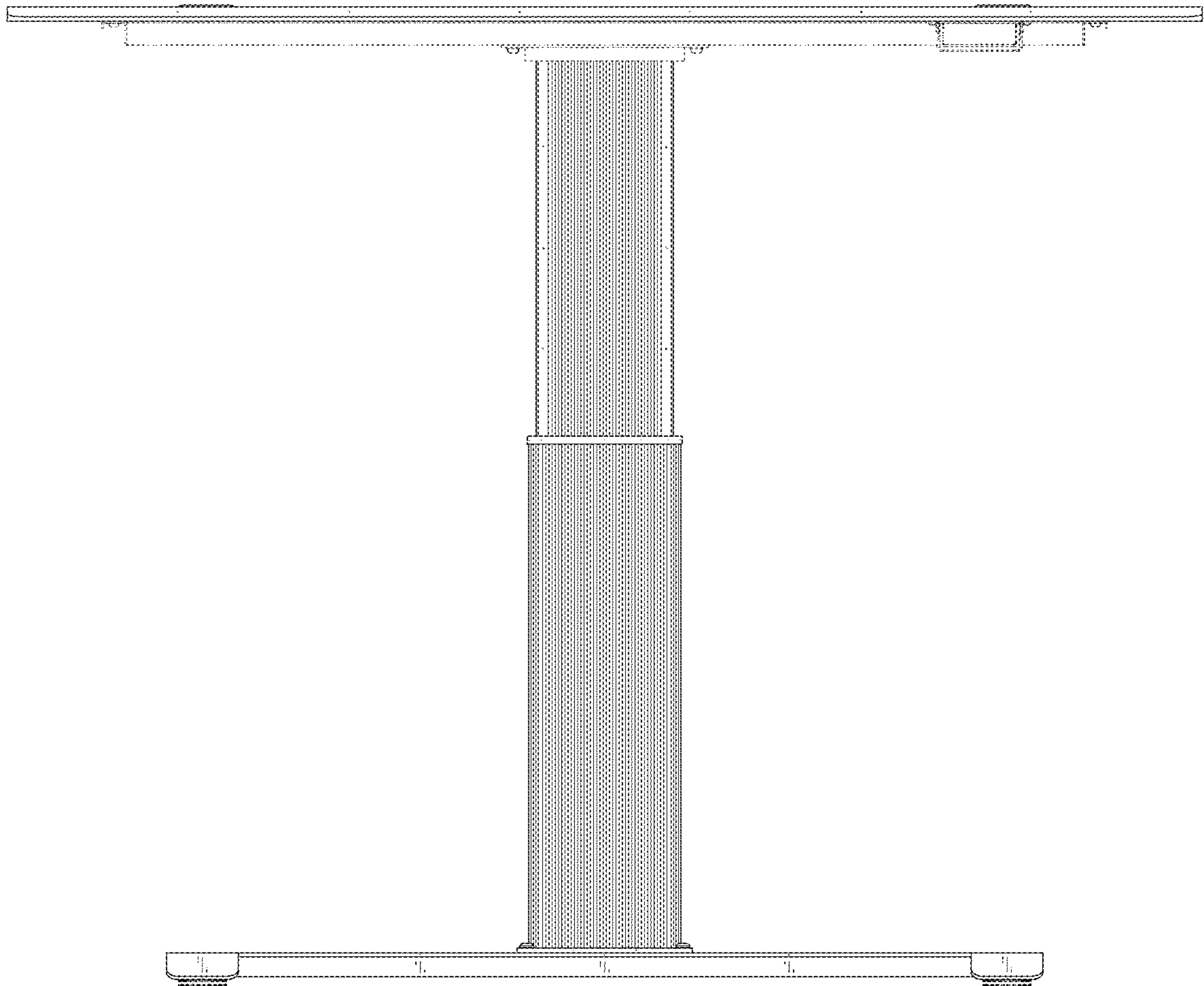


FIG. 2

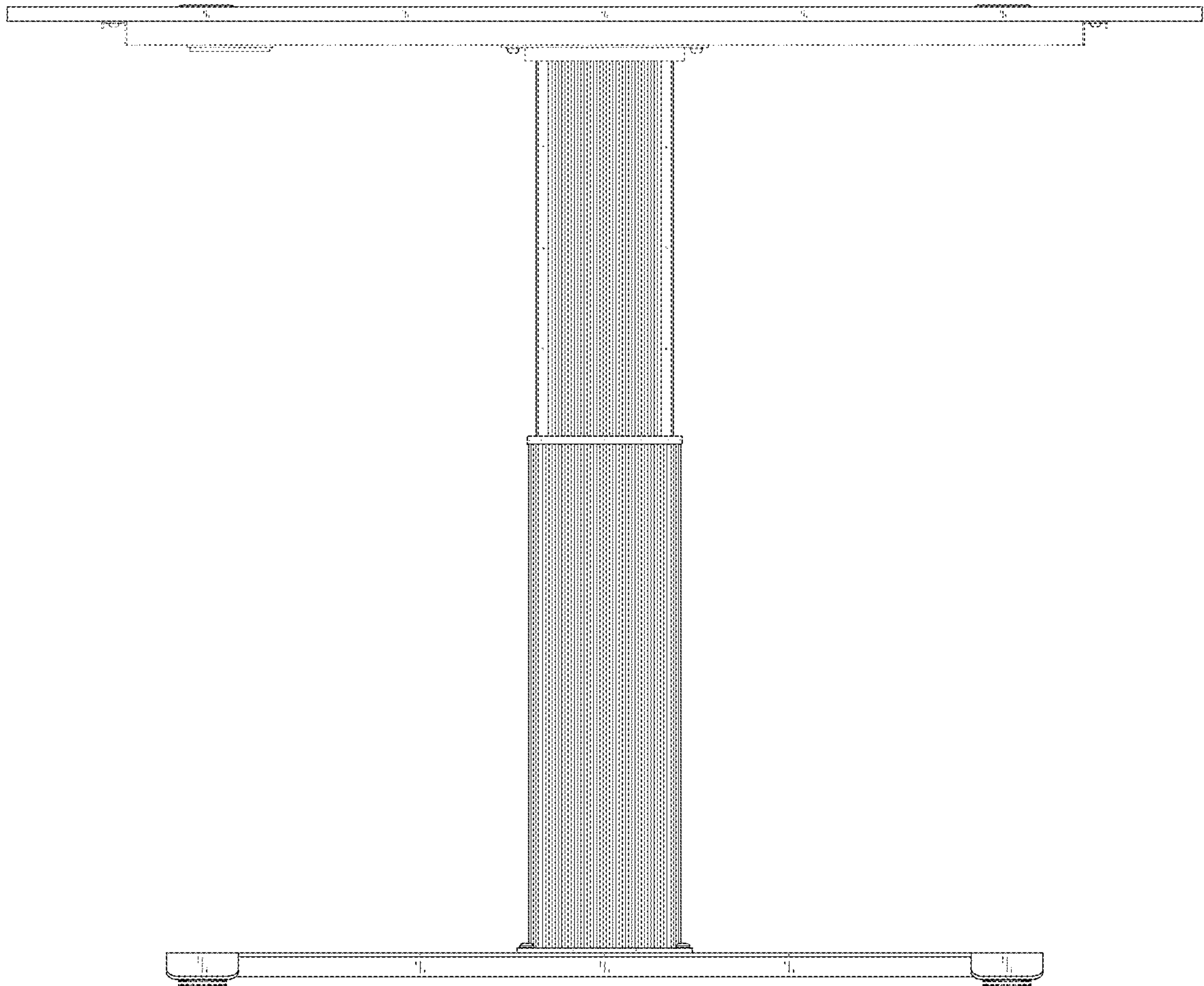


FIG. 3

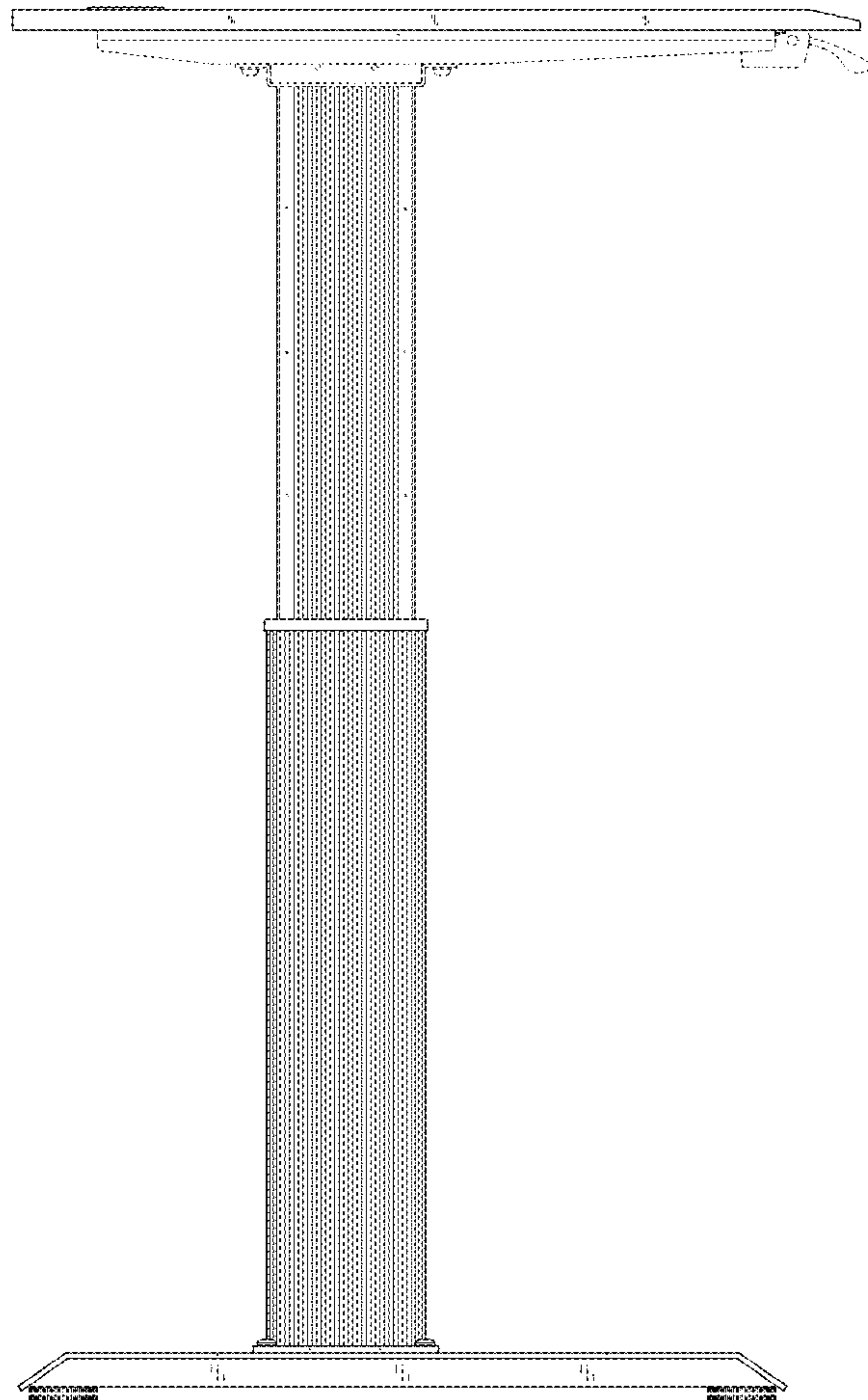


FIG. 4

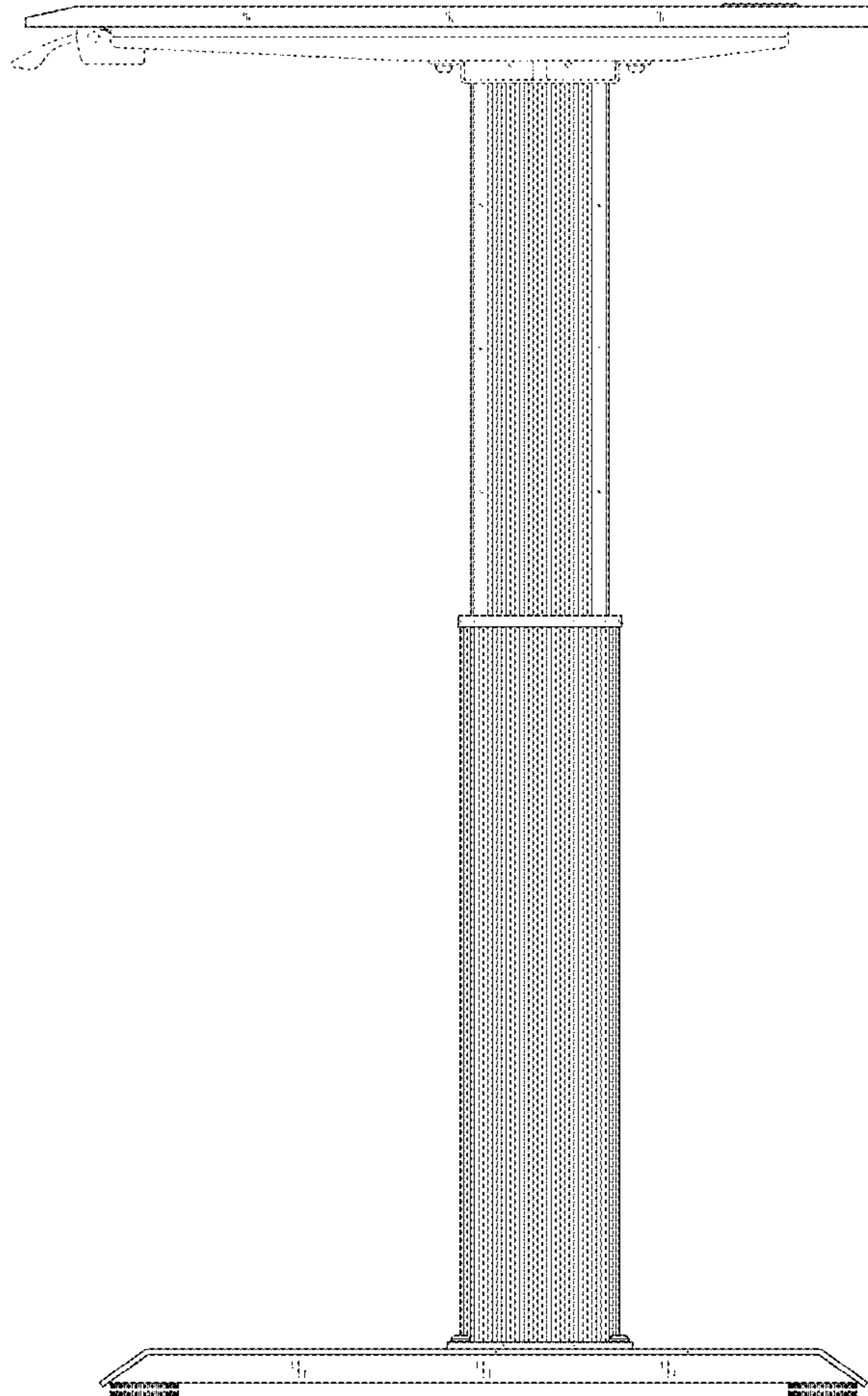


FIG. 5

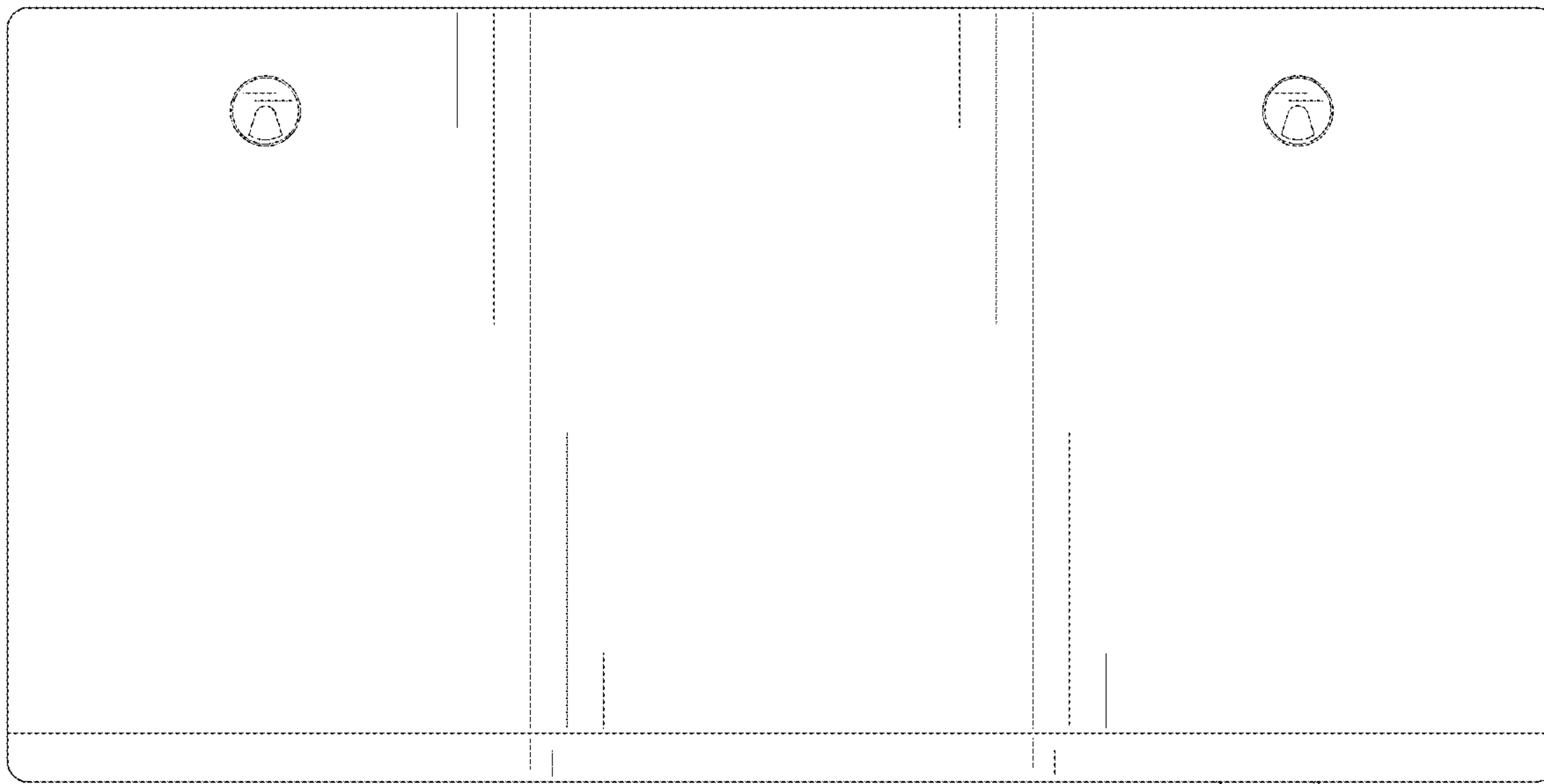


FIG. 6

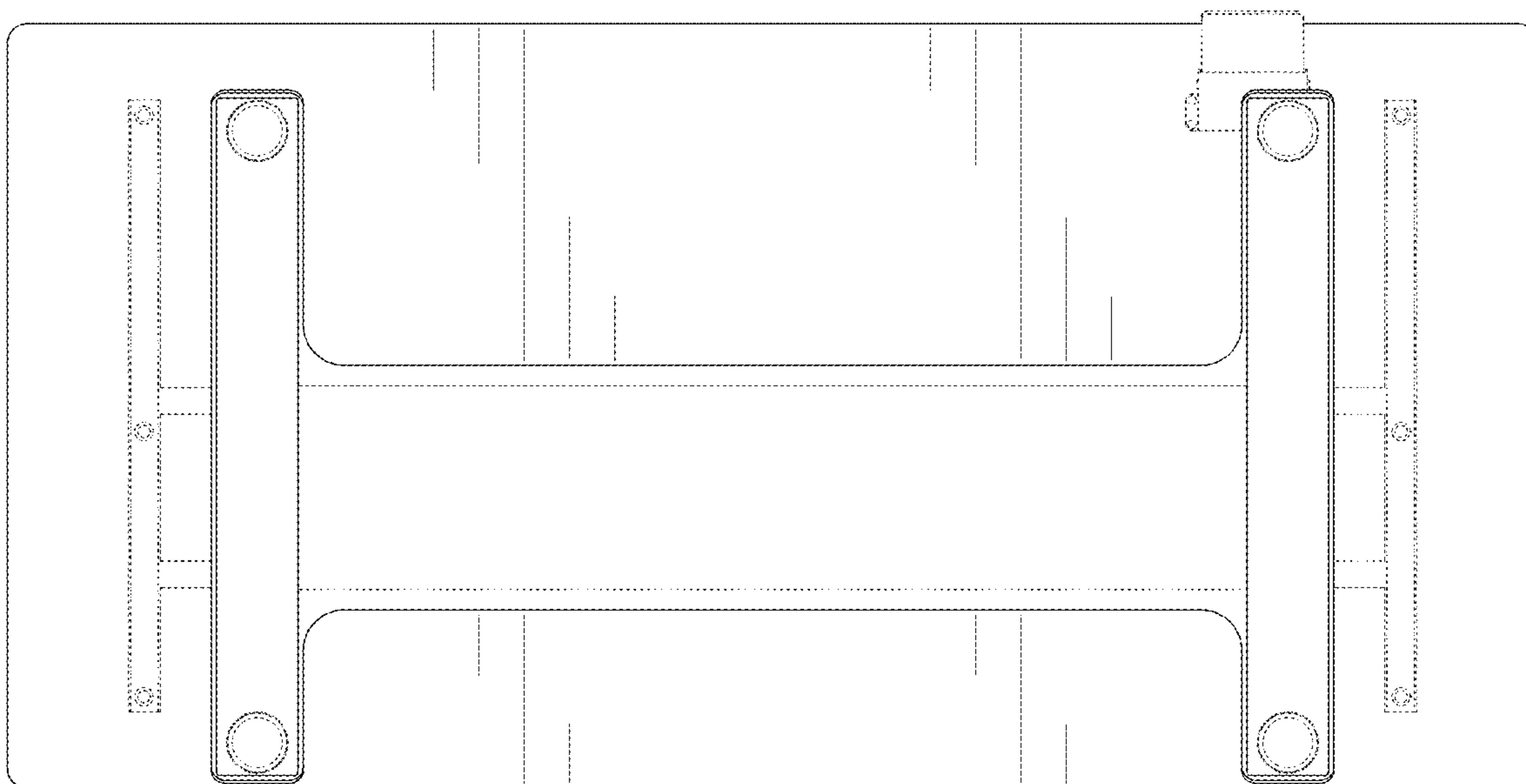


FIG. 7