



US00D879512S

(12) **United States Design Patent**
Hoshikawa

(10) **Patent No.:** **US D879,512 S**

(45) **Date of Patent:** **** Mar. 31, 2020**

(54) **DESK**

(71) Applicant: **Trinity, Inc.**, Saitama (JP)

(72) Inventor: **Tetsushi Hoshikawa**, Saitama (JP)

(73) Assignee: **Trinity, Inc.**, Saitama (JP)

(**) Term: **15 Years**

(21) Appl. No.: **29/619,873**

(22) Filed: **Oct. 3, 2017**

(30) **Foreign Application Priority Data**

Apr. 3, 2017 (JP) 2017-007085

(51) **LOC (12) Cl.** **06-03**

(52) **U.S. Cl.**
USPC **D6/656; D6/691**

(58) **Field of Classification Search**
USPC D6/641, 642, 656, 656.1, 656.13, 656.14,
D6/656.18, 685-687, 689, 691,
D6/691.1-691.9

CPC A47B 7/00; A47B 7/02; A47B 9/00; A47B
13/00; A47B 13/003; A47B 13/02; A47B
13/04; A47B 13/06; A47B 13/08; A47B
13/12; A47B 21/00; A47B 2200/0001;
A47B 2200/0011; A47B 2200/002

See application file for complete search history.

(56) **References Cited**

U.S. PATENT DOCUMENTS

D144,872 S * 5/1946 Rhodes D6/707.19
D231,886 S * 6/1974 Kephart D6/691.8

D487,654 S * 3/2004 Molteni D6/691.8
D541,559 S * 5/2007 Lewis D6/647
D590,185 S * 4/2009 Karashima D6/691.8
D639,584 S * 6/2011 Cortivo D6/656
D717,572 S * 11/2014 Morrison D6/647
D797,484 S * 9/2017 Hannoosh D6/709
D829,475 S * 10/2018 Davis D6/691

* cited by examiner

Primary Examiner — Mary Ann Calabrese

(74) *Attorney, Agent, or Firm* — JCIPRNET

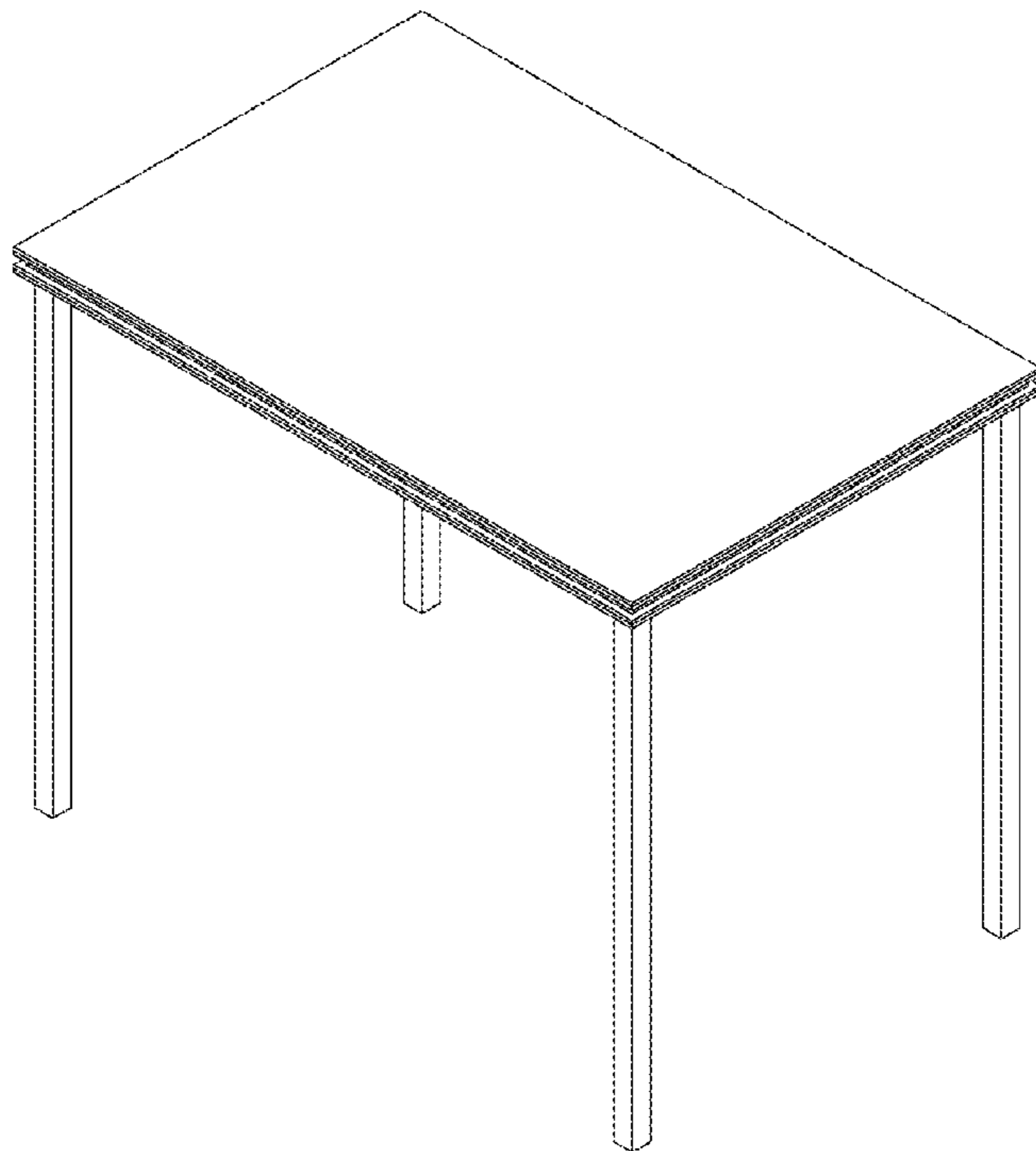
(57) **CLAIM**

The ornamental design for a desk, as shown and described.

DESCRIPTION

FIG. 1 is a perspective view of a desk showing my new design;
FIG. 2 is a front view thereof, the rear view being identical thereto;
FIG. 3 is a right side view thereof, the left side view being identical thereto;
FIG. 4 is a top view thereof;
FIG. 5 is a bottom view thereof;
FIG. 6 is an enlarged detail view indicated by line 6-6 in FIG. 2;
FIG. 7 is a cross-sectional view taken along line 7-7 in FIG. 6;
FIG. 8 is another perspective view thereof shown in use;
FIG. 9 is another perspective view thereof shown in use; and,
FIG. 10 is another top view thereof shown in use.
The broken line subject matters in FIGs. 8-10 are included for the purpose of illustrating unclaimed environment and form no part of the claimed design.

1 Claim, 8 Drawing Sheets



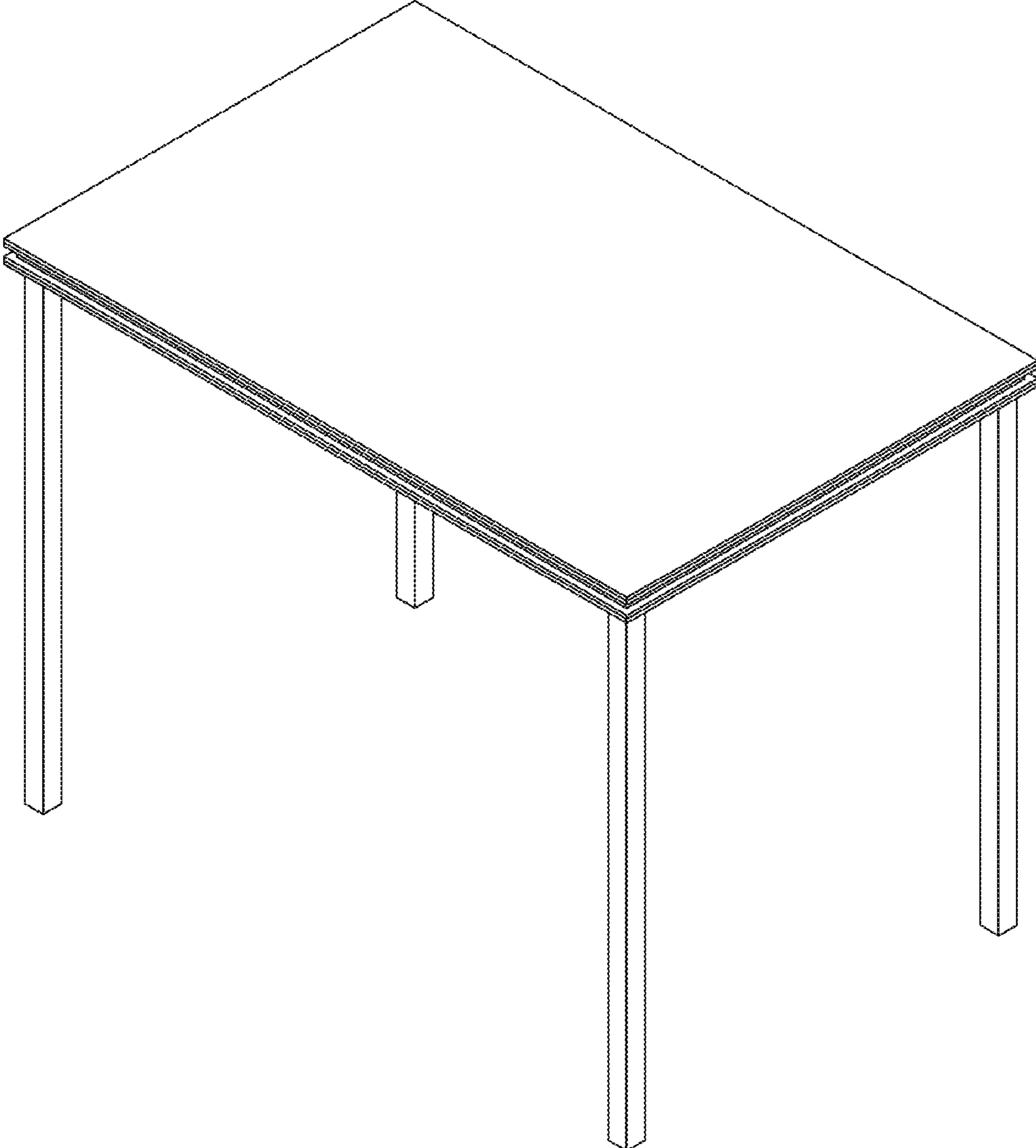


FIG. 1

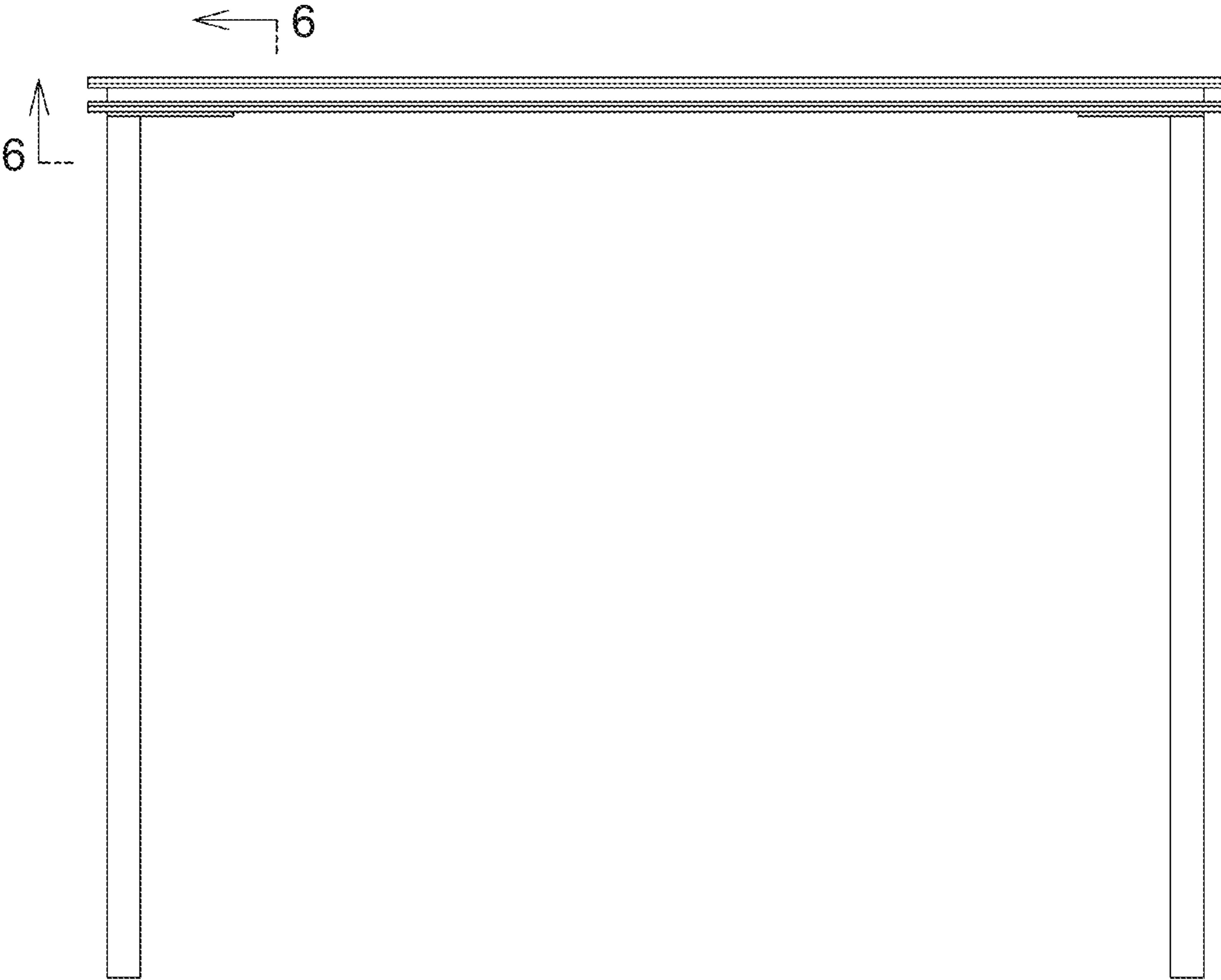


FIG. 2

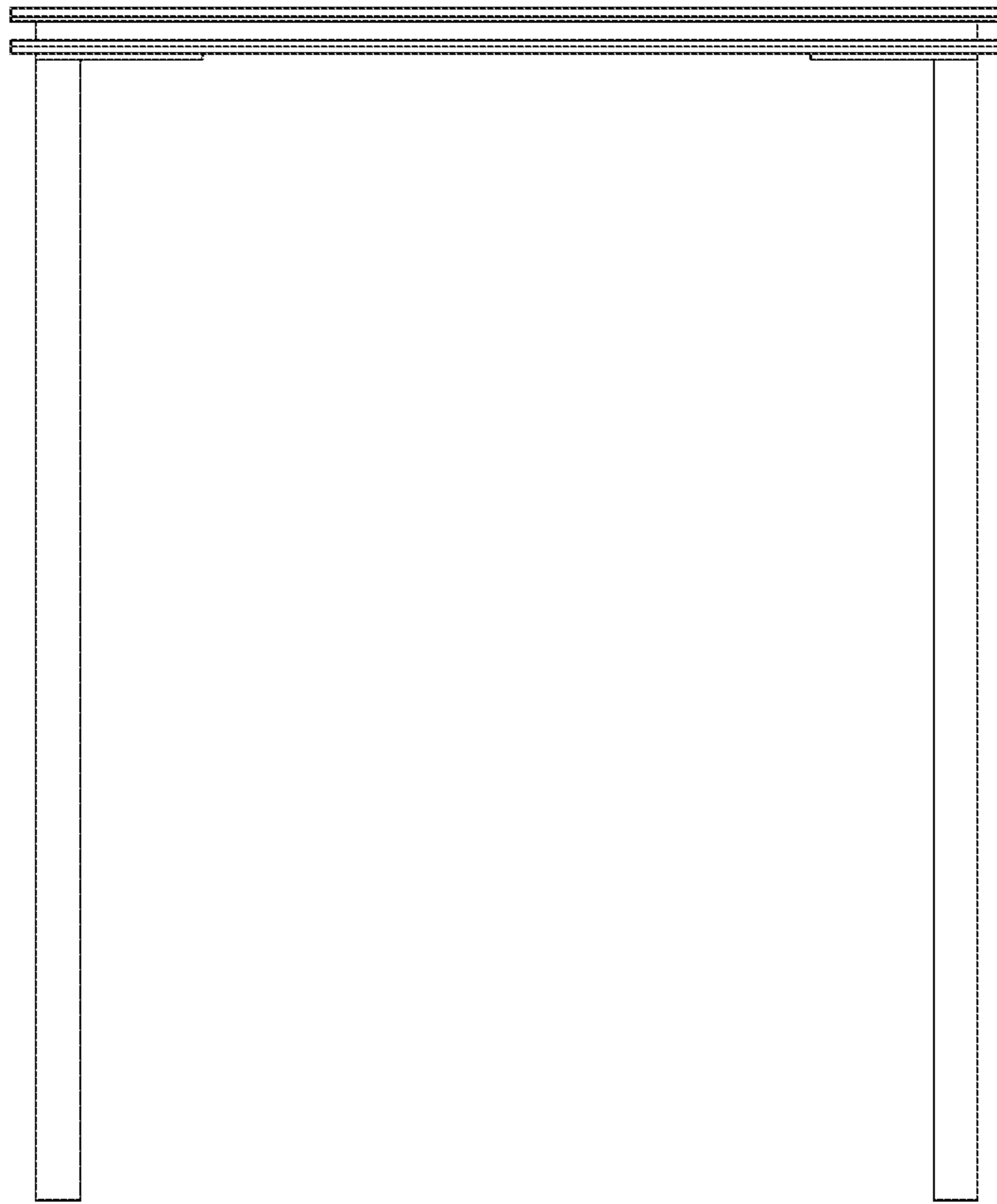


FIG. 3

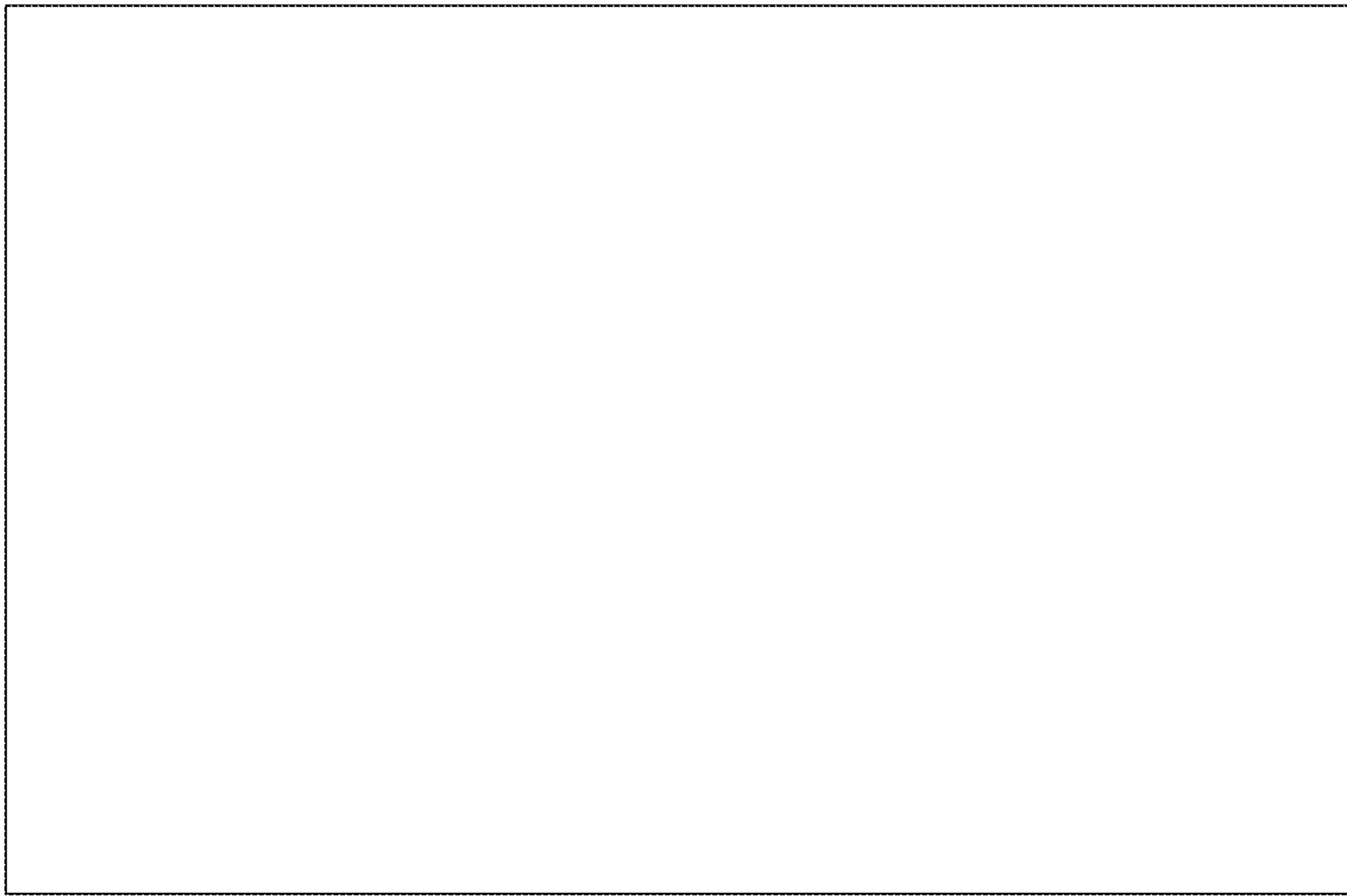


FIG. 4

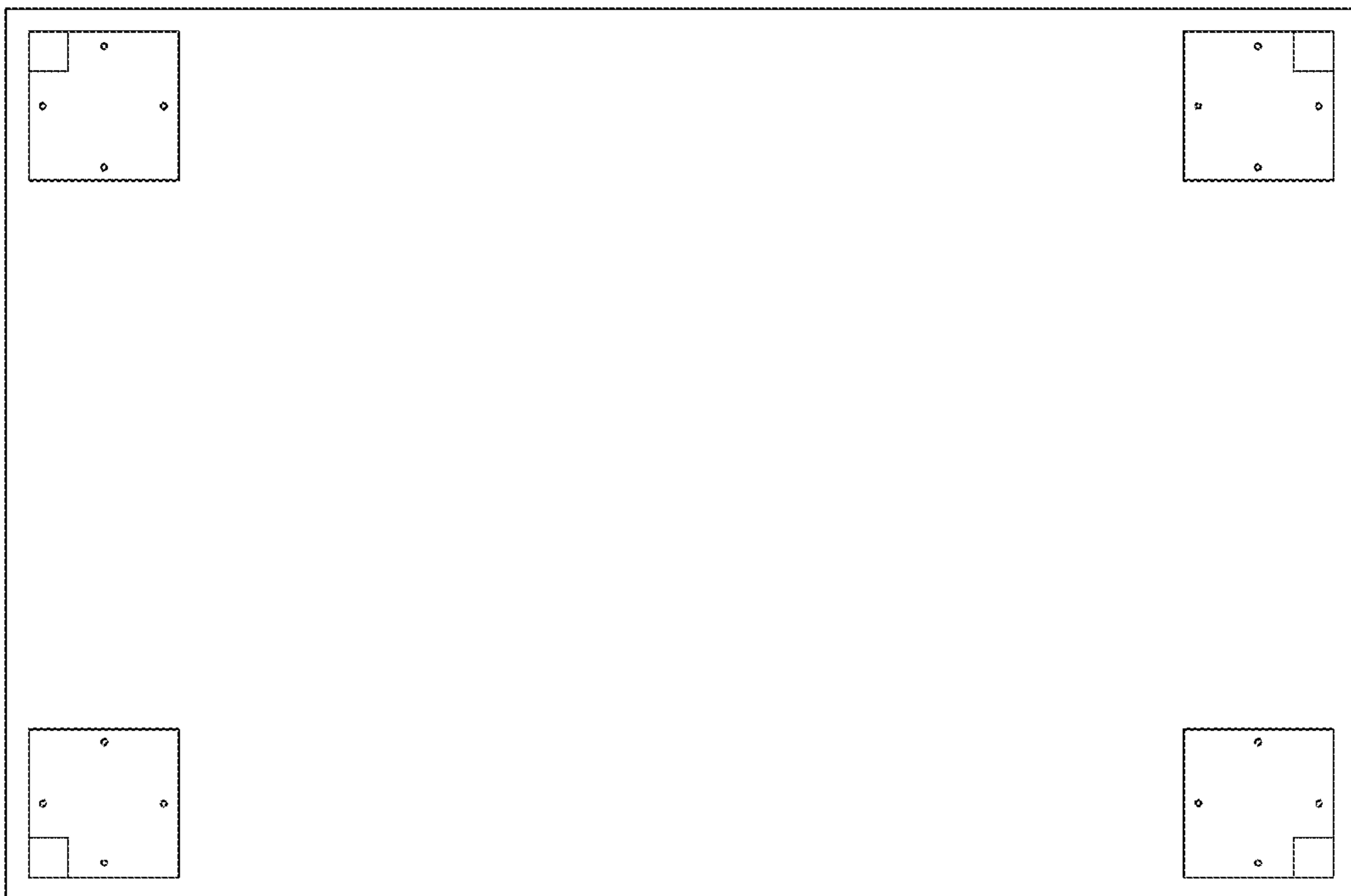


FIG. 5

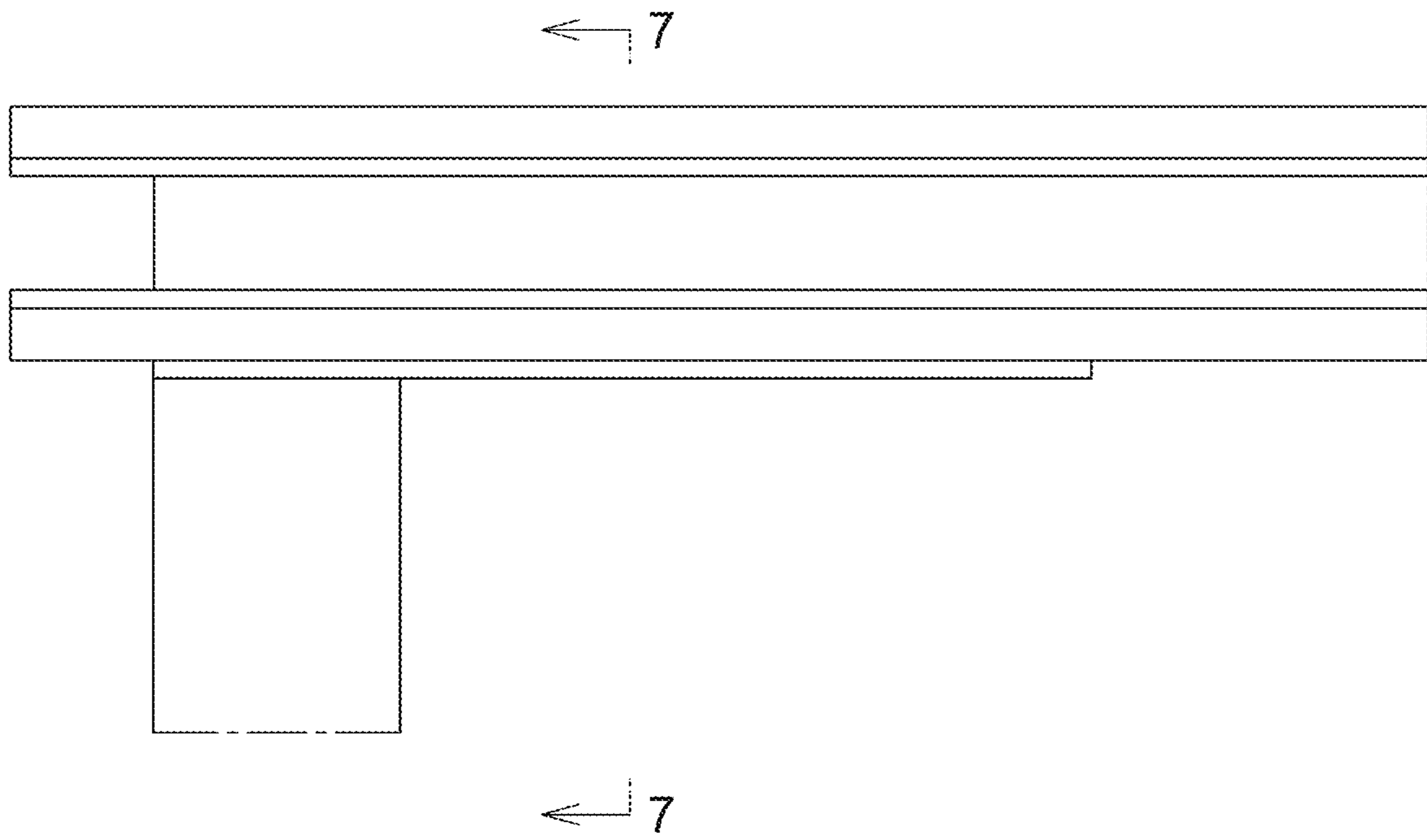


FIG. 6

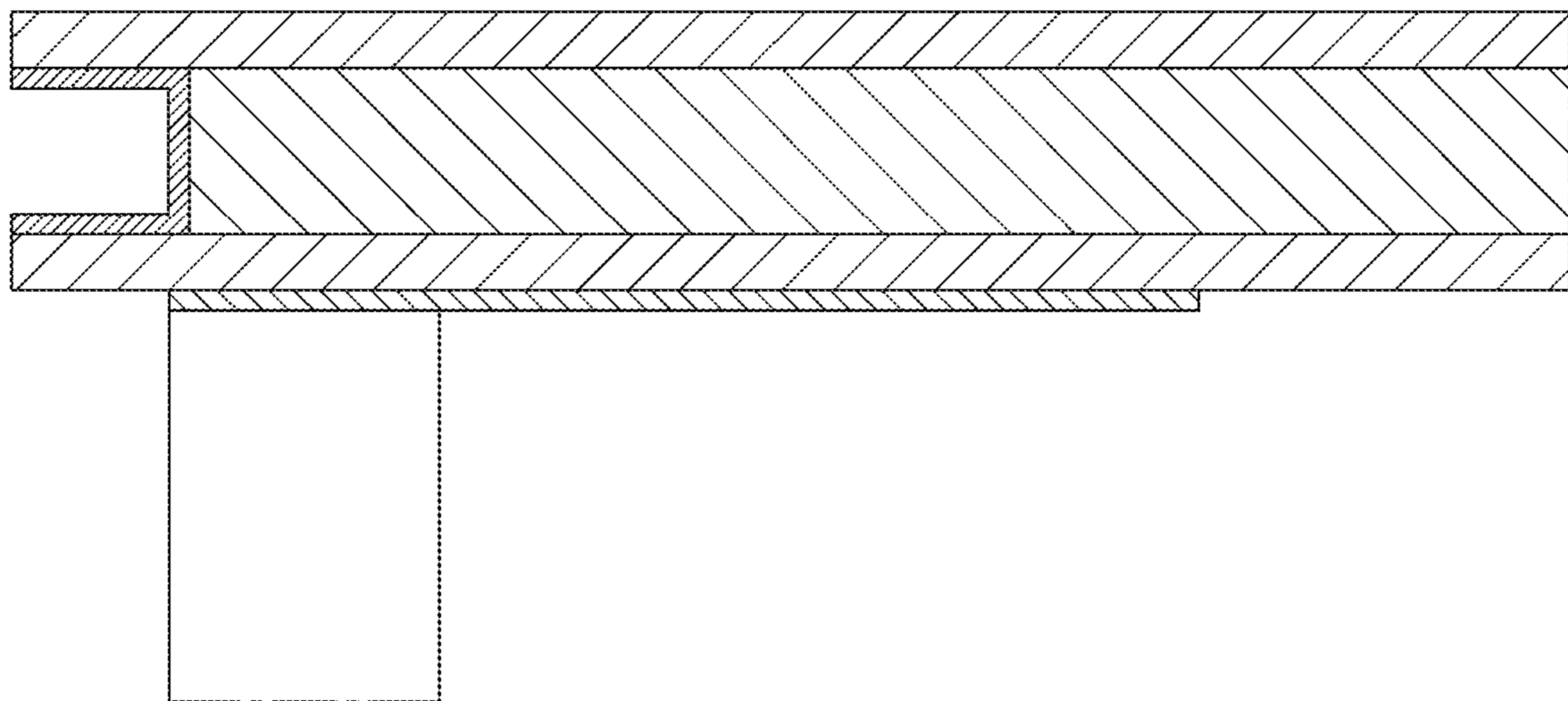


FIG. 7

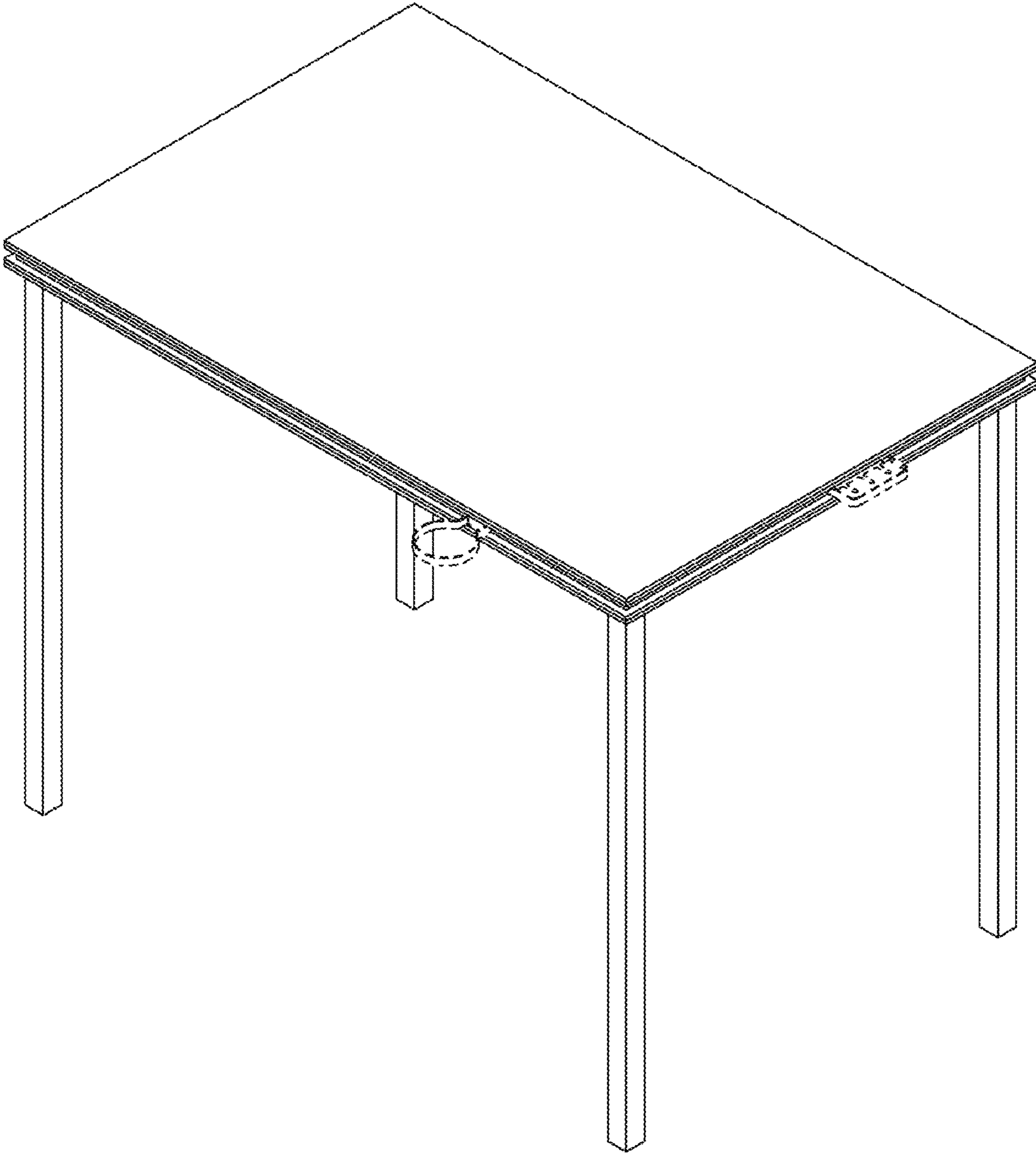


FIG. 8

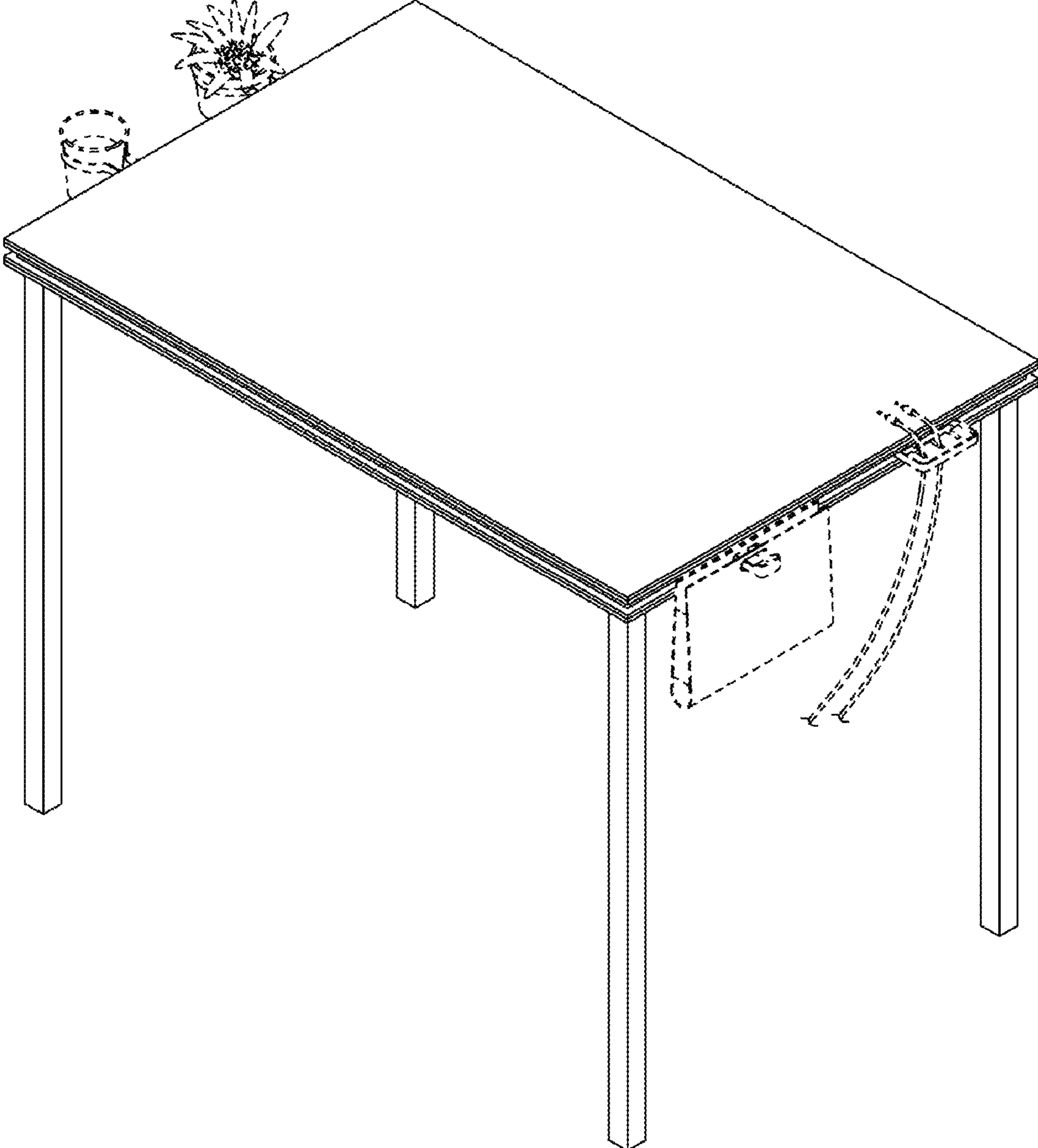


FIG. 9

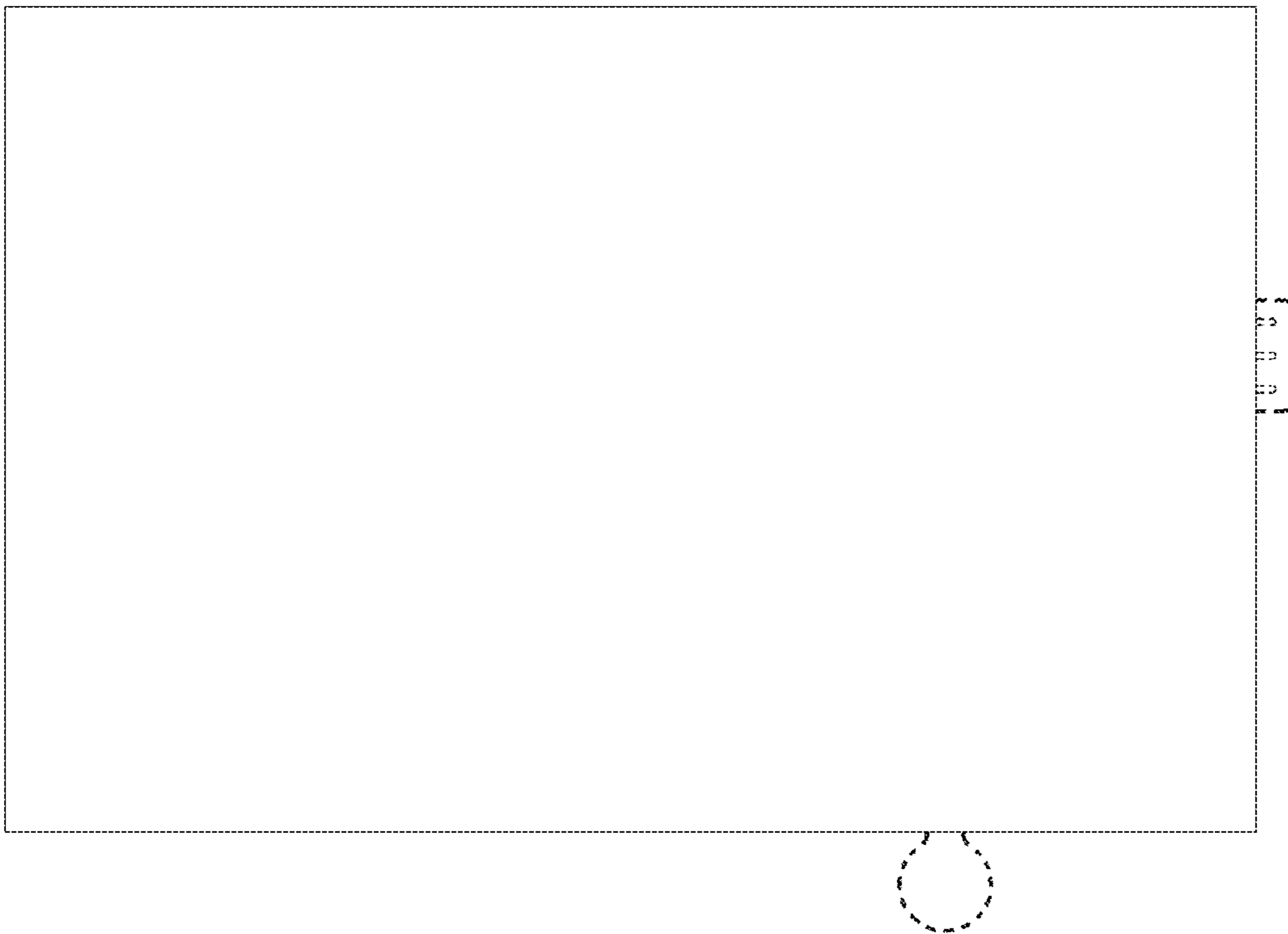


FIG. 10