



US00D879503S

(12) **United States Design Patent** (10) **Patent No.:** **US D879,503 S**  
**Fu** (45) **Date of Patent:** **\*\* Mar. 31, 2020**

(54) **YOGA MAT**  
(71) Applicant: **SHENZHEN TUOJIA TECHNOLOGY CO., LTD.**, Shenzhen (CN)  
(72) Inventor: **Liqiang Fu**, Hefei (CN)  
(73) Assignee: **SHENZHEN TUOJIA TECHNOLOGY CO., LTD.**, Shenzhen (CN)

D710,129 S \* 8/2014 Armitage ..... D6/582  
D716,892 S \* 11/2014 Schlosser ..... D21/792  
D785,105 S \* 4/2017 Armitage ..... D21/686  
D791,501 S \* 7/2017 Nguyen ..... D21/686  
D805,811 S \* 12/2017 Armitage ..... D6/582  
10,315,065 B1 \* 6/2019 Soba ..... A63B 21/4035  
D862,926 S \* 10/2019 Ren ..... A63B 21/4011  
D6/582  
2003/0017915 A1 \* 1/2003 Prinzmetal ..... A63B 6/00  
482/23  
2014/0007345 A1 \* 1/2014 Hasta ..... A47G 9/062  
5/417  
2019/0329089 A1 \* 10/2019 Chapman ..... A63B 21/4011

(\*\*) Term: **15 Years**

(21) Appl. No.: **29/706,937**  
(22) Filed: **Sep. 25, 2019**  
(51) **LOC (12) Cl.** ..... **06-11**  
(52) **U.S. Cl.**  
USPC ..... **D6/582**  
(58) **Field of Classification Search**  
USPC ..... D6/582, 583, 585-589, 591, 592;  
D19/10; D21/686, 780  
CPC ..... A47G 27/0293; A47G 27/0275; A47G  
27/0237; A47G 27/0231; A47G 27/0225;  
A47G 27/0218; A47G 27/0212; A47G  
27/0206; A47G 27/02; A47G 9/062;  
A47K 3/002; A63B 6/00; A63B 21/4037;  
E04F 2201/095; G09B 19/0015  
See application file for complete search history.

**OTHER PUBLICATIONS**

Oudort Non Slip Yoga Mat. Amazon.com. Sep. 9, 2019. Accessed on Feb. 7, 2020.\*

(Continued)

*Primary Examiner* — Kevin K Rudzinski  
*Assistant Examiner* — Clare Ann Gannon

(57) **CLAIM**

The ornamental design for a yoga mat, as shown and described.

**DESCRIPTION**

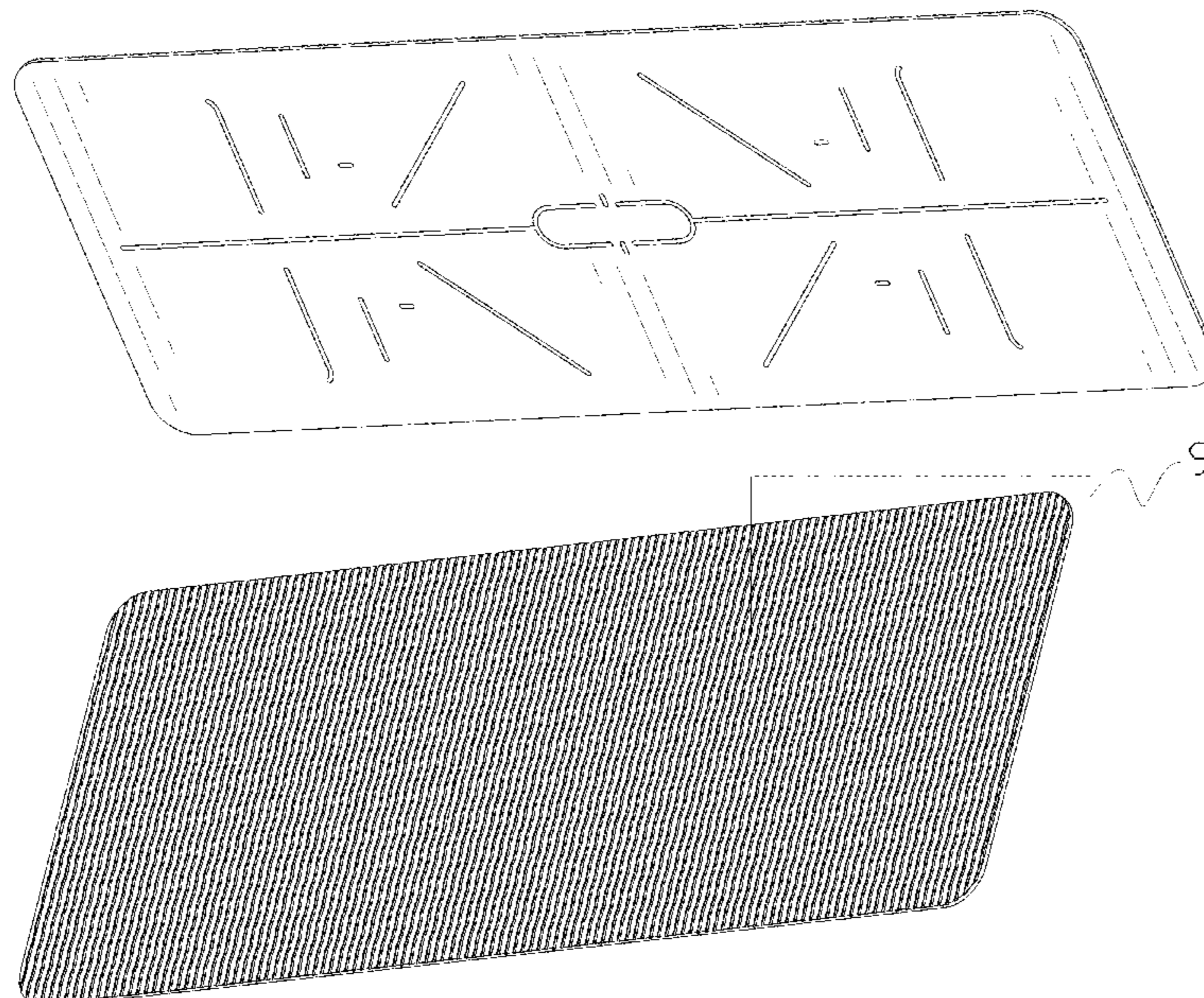
FIG. 1 is a perspective view of a yoga mat showing my new design;  
FIG. 2 is another perspective view thereof;  
FIG. 3 is a front elevational view thereof;  
FIG. 4 is a rear elevational view thereof;  
FIG. 5 is a left side elevational view thereof;  
FIG. 6 is a right side elevational view thereof;  
FIG. 7 is a top plan view thereof;  
FIG. 8 is a bottom plan view thereof; and,  
FIG. 9 is an enlarged view of portion 9 shown in FIG. 2.

(56) **References Cited**

**U.S. PATENT DOCUMENTS**

D457,373 S \* 5/2002 Prinzmetal ..... D6/582  
D509,873 S \* 9/2005 Dias ..... D21/792  
D699,978 S \* 2/2014 Hasta ..... D6/582  
D699,980 S \* 2/2014 Tamayo ..... A63B 21/4035  
D6/589  
D707,057 S \* 6/2014 Hasta ..... D6/582

**1 Claim, 9 Drawing Sheets**



(56)

**References Cited**

OTHER PUBLICATIONS

“Liforme Gratitude Yoga Mat—The World’s Best Eco-Friendly, Non Slip Yoga Mat with The Patented Alignment Marker System—Biodegradable and Natural Rubber Yoga Mat—Gratitude Special Edition”, Retrieved Sep. 25, 2019]. Retrieved from Internet, <https://www.amazon.com/dp/B07WGIMYVHG>.

“Heathyoga Eco Friendly Non Slip Yoga Mat. Body Alignment System, SGS Certified TPE Material—Textured Non Slip Surface and Optimal Cushioning,72"x 26" Thickness ¼"”, Retrieved Sep. 25, 2019]. Retrieved from Internet, <https://www.amazon.com/Heathyoga-Friendly-Alignment-Certified-Material/dp/B078XJ1D5W>.

\* cited by examiner

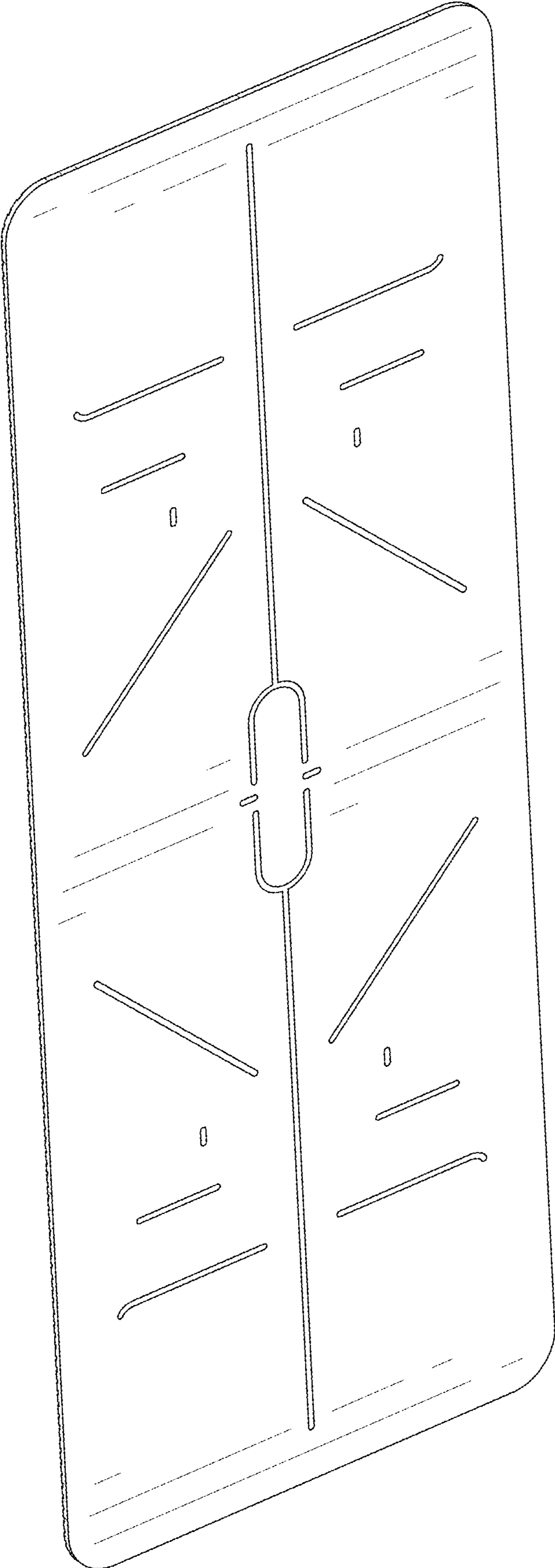


FIG. 1

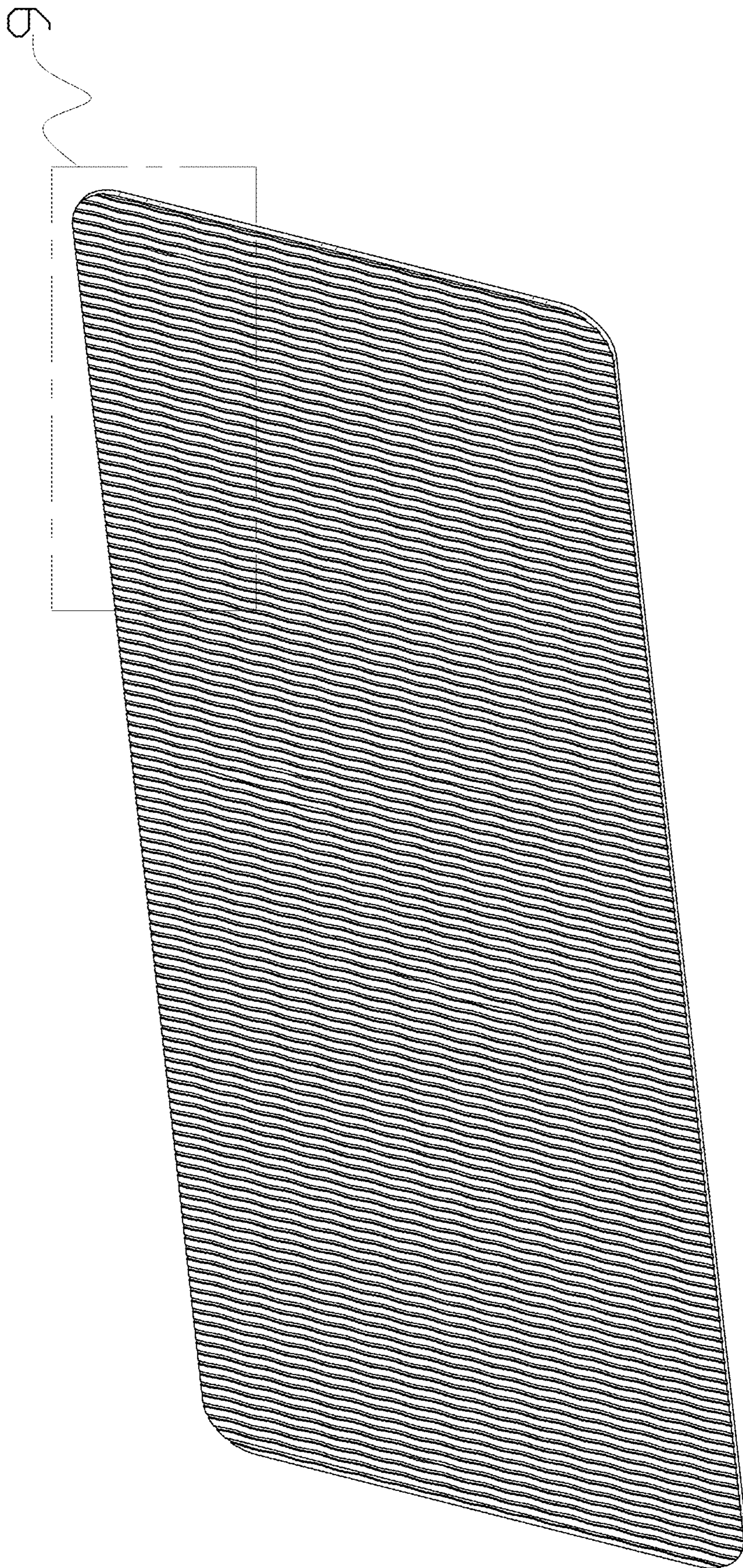


FIG. 2

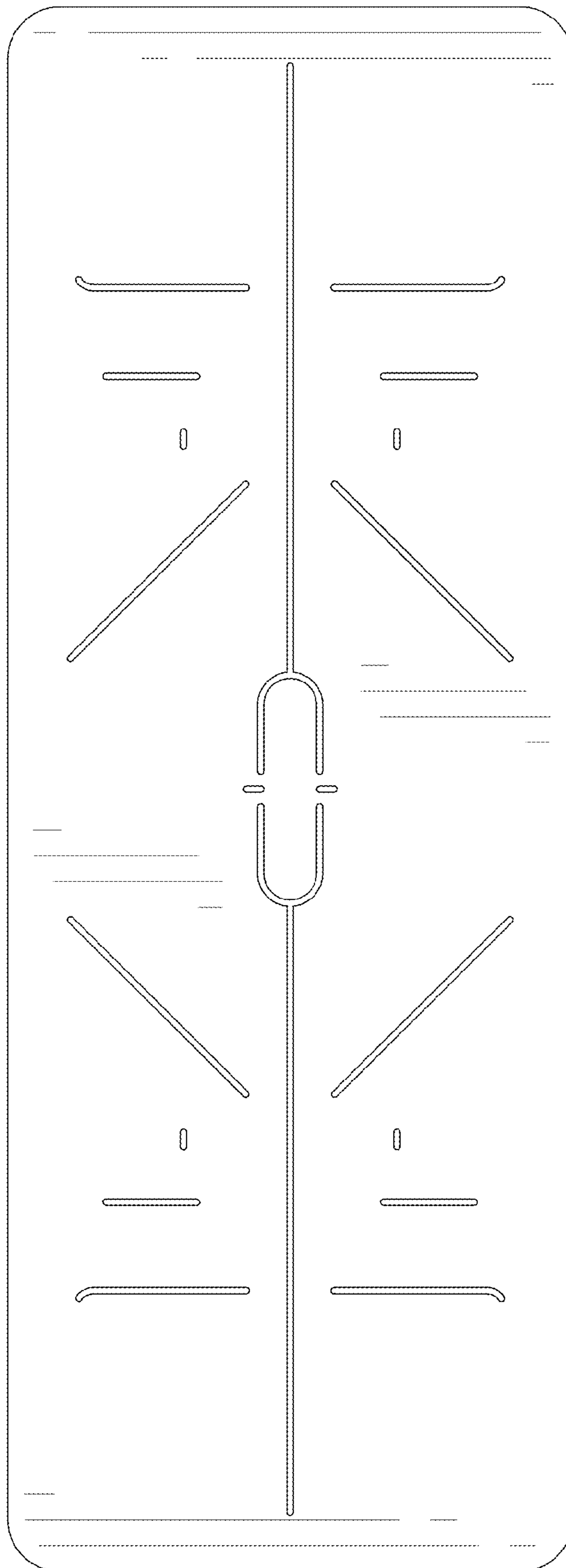


FIG. 3

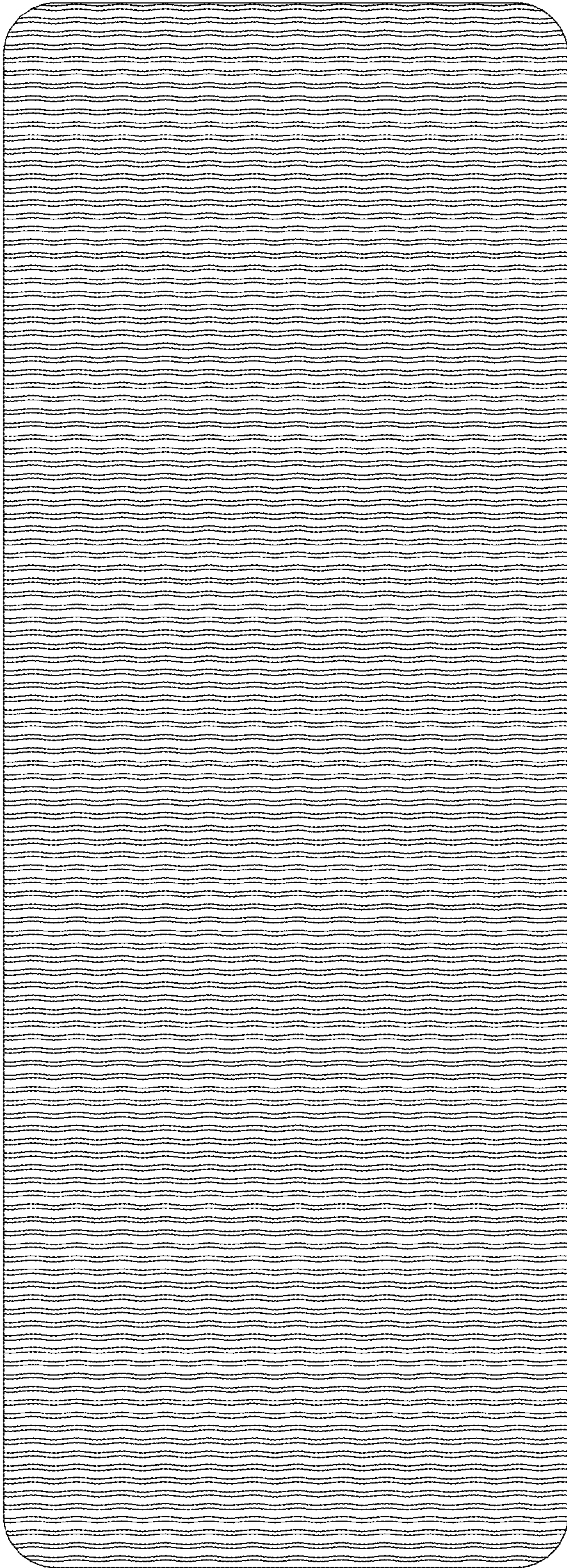


FIG. 4

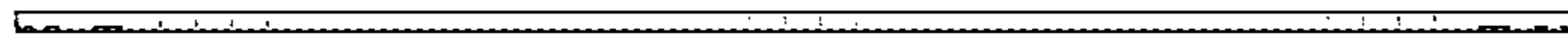


FIG. 5

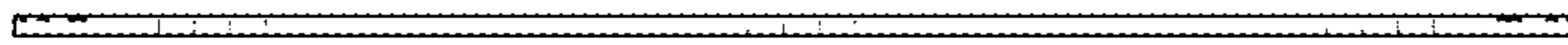


FIG. 6





FIG. 7



FIG. 8

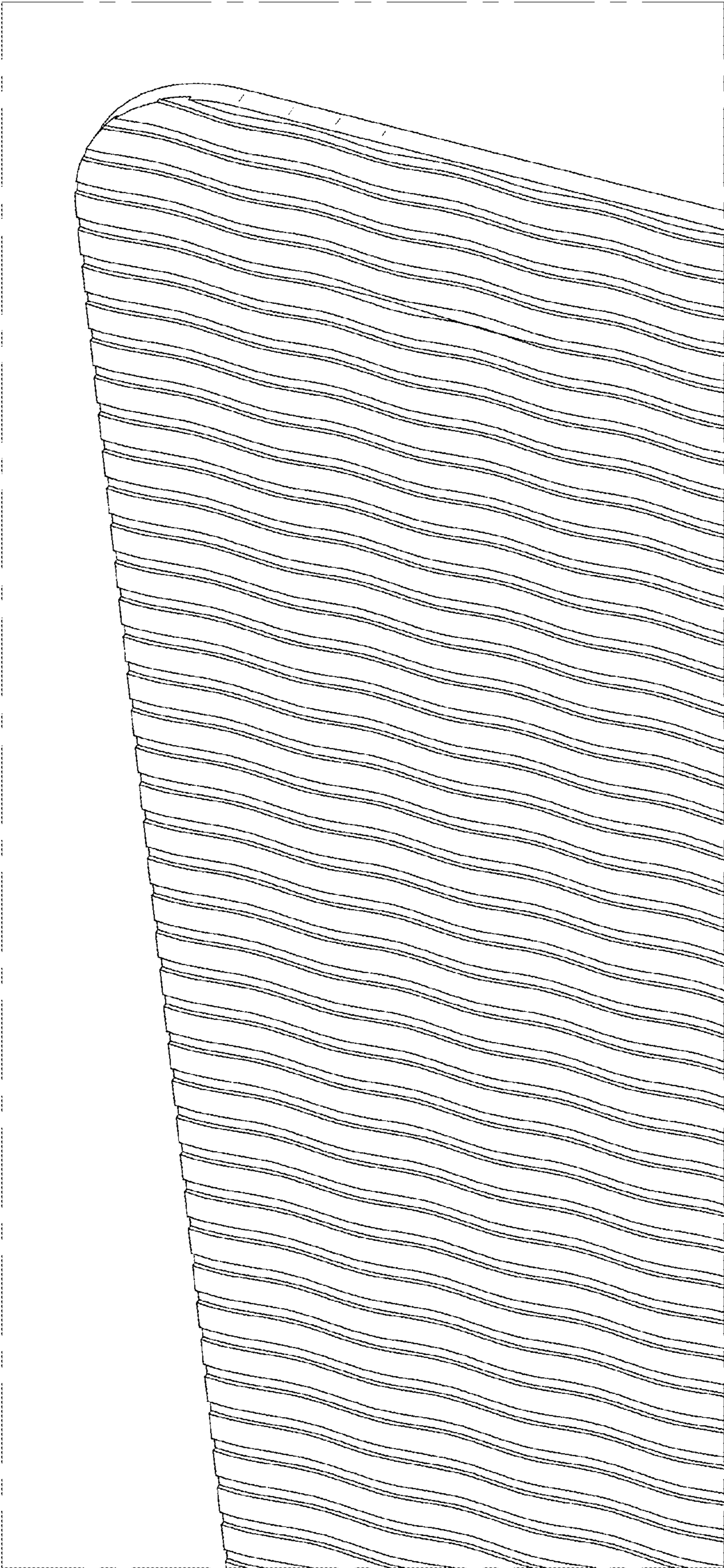


FIG. 9