



US00D879500S

(12) **United States Design Patent**
Liu

(10) **Patent No.:** **US D879,500 S**

(45) **Date of Patent:** **** Mar. 31, 2020**

(54) **TOWEL RACK**

(71) Applicant: **Jinzhen Liu**, Shenzhen (CN)

(72) Inventor: **Jinzhen Liu**, Shenzhen (CN)

(**) Term: **15 Years**

(21) Appl. No.: **29/713,593**

(22) Filed: **Nov. 18, 2019**

(51) **LOC (12) Cl.** **06-04**

(52) **U.S. Cl.**
USPC **D6/549**

(58) **Field of Classification Search**

USPC D6/518-524, 546-550, 574; D8/300,
D8/315, 370; 108/28-29; 211/13.1, 16,
211/85.5, 86.01, 87.01, 88.04, 100, 105.1,
211/105.2, 106, 106.1, 113, 123, 181.1,
211/182-183; 242/570, 590, 595-598;
248/175, 176.1, 200, 201, 205.1, 251,
248/302, 309.1, 315
CPC A47K 10/10; A47K 10/04; A47K 2201/02;
A47K 2201/00; Y10S 16/40; Y10S 16/41;
Y10T 16/458; Y10T 16/462; Y10T
16/513

See application file for complete search history.

(56) **References Cited**

U.S. PATENT DOCUMENTS

D478,447 S * 8/2003 Hoernig D6/549
D492,530 S * 7/2004 Chen D6/549

D516,850 S * 3/2006 Shieh D6/549
D540,597 S 4/2007 Hoernig
D540,599 S 4/2007 Krumpe et al.
D600,961 S * 9/2009 Krumpe D6/549
D672,990 S 12/2012 Lindo
D836,945 S * 1/2019 Rutgers D6/549

* cited by examiner

Primary Examiner — Wan Laymon

Assistant Examiner — Mark Booker

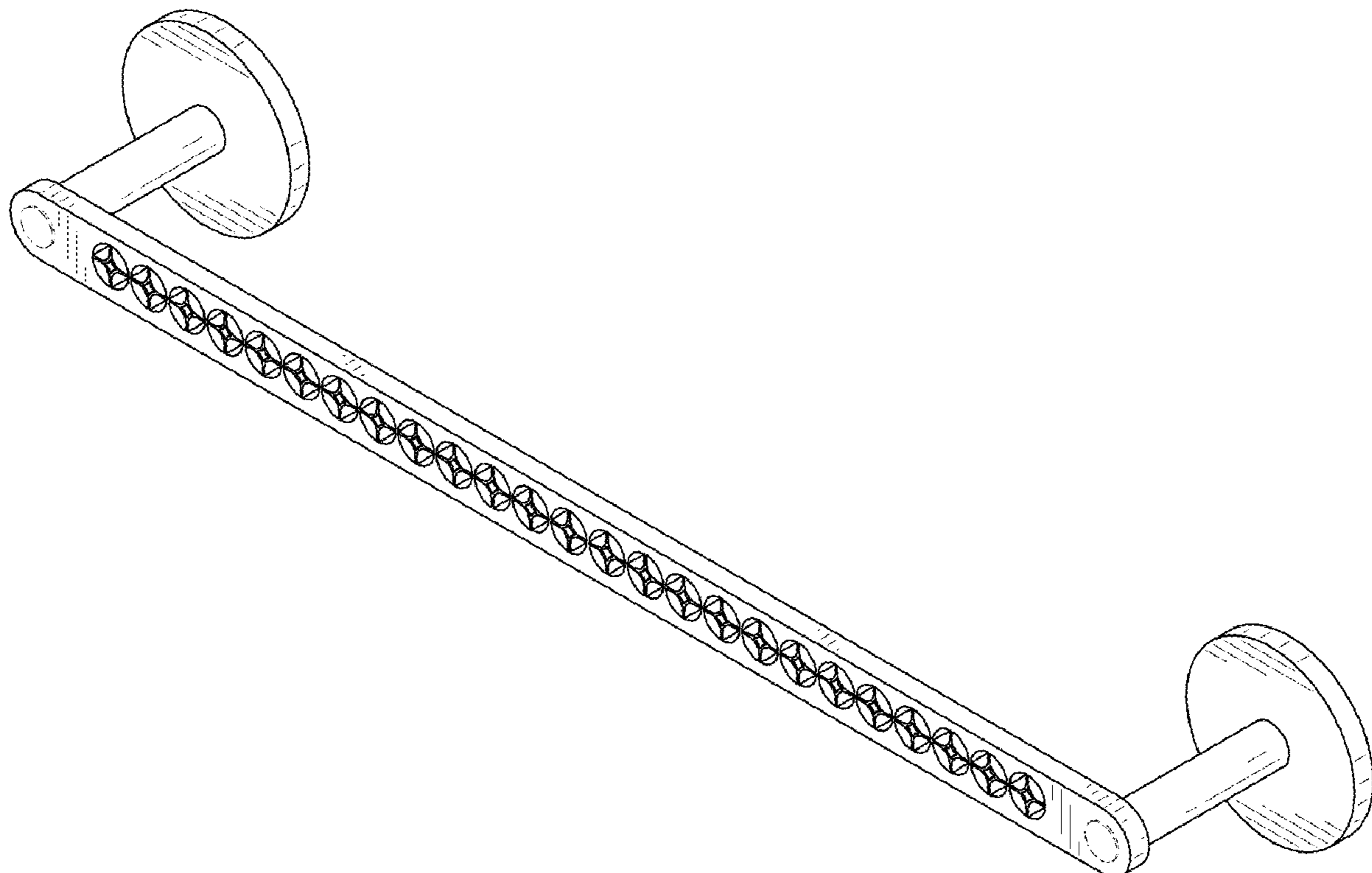
(57) **CLAIM**

The ornamental design for a towel rack, as shown and described.

DESCRIPTION

FIG. 1 is a front perspective view of a towel rack showing my new design;
FIG. 2 is a rear perspective view thereof;
FIG. 3 is a front elevational view thereof;
FIG. 4 is a rear elevational view thereof;
FIG. 5 is a left side elevational view thereof;
FIG. 6 is a right side elevational view thereof;
FIG. 7 is a top plan view thereof; and,
FIG. 8 is a bottom plan view thereof.
The broken lines in the drawings depict portions of the towel rack that form no part of the claimed design.

1 Claim, 8 Drawing Sheets



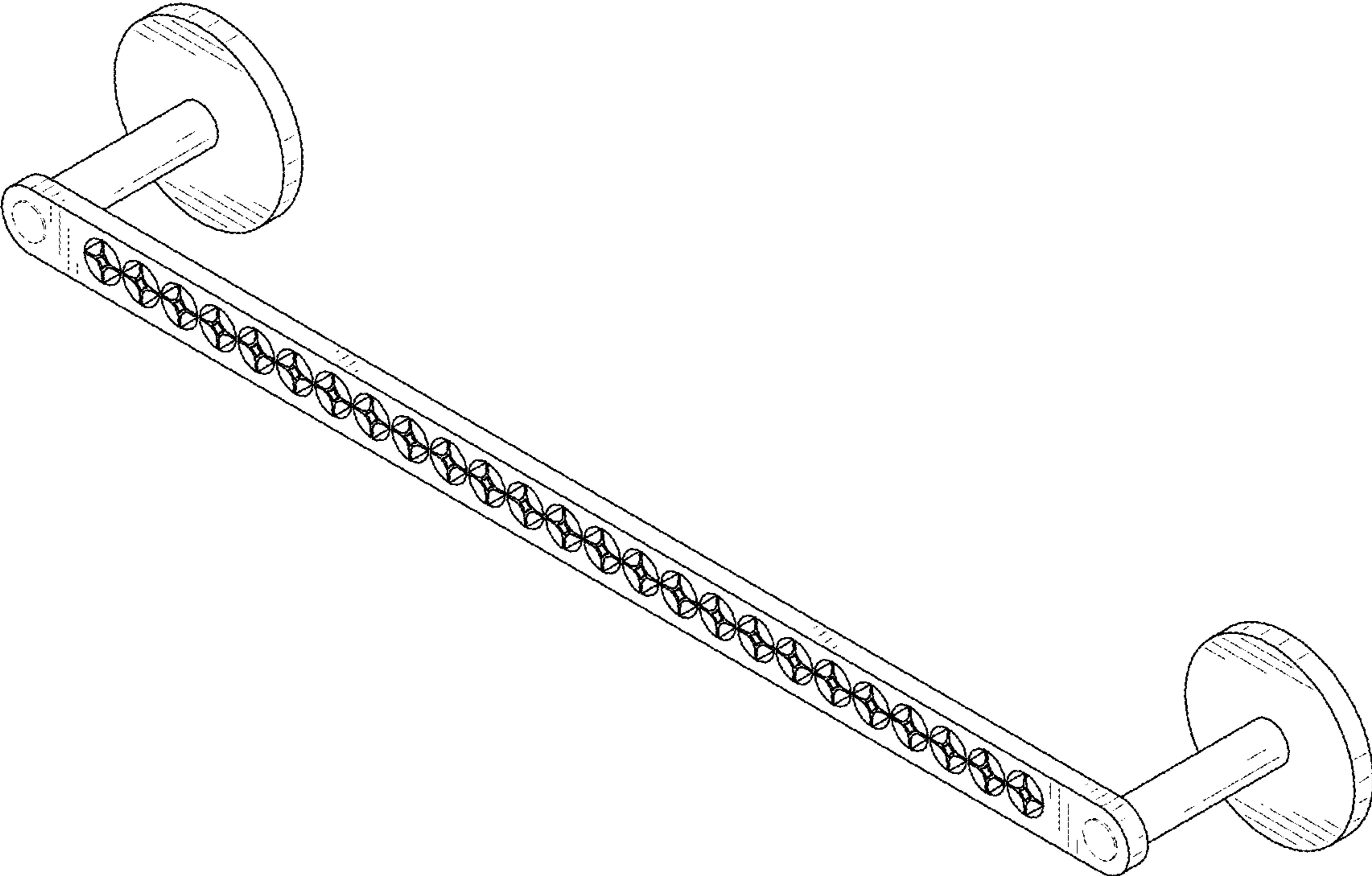


FIG. 1

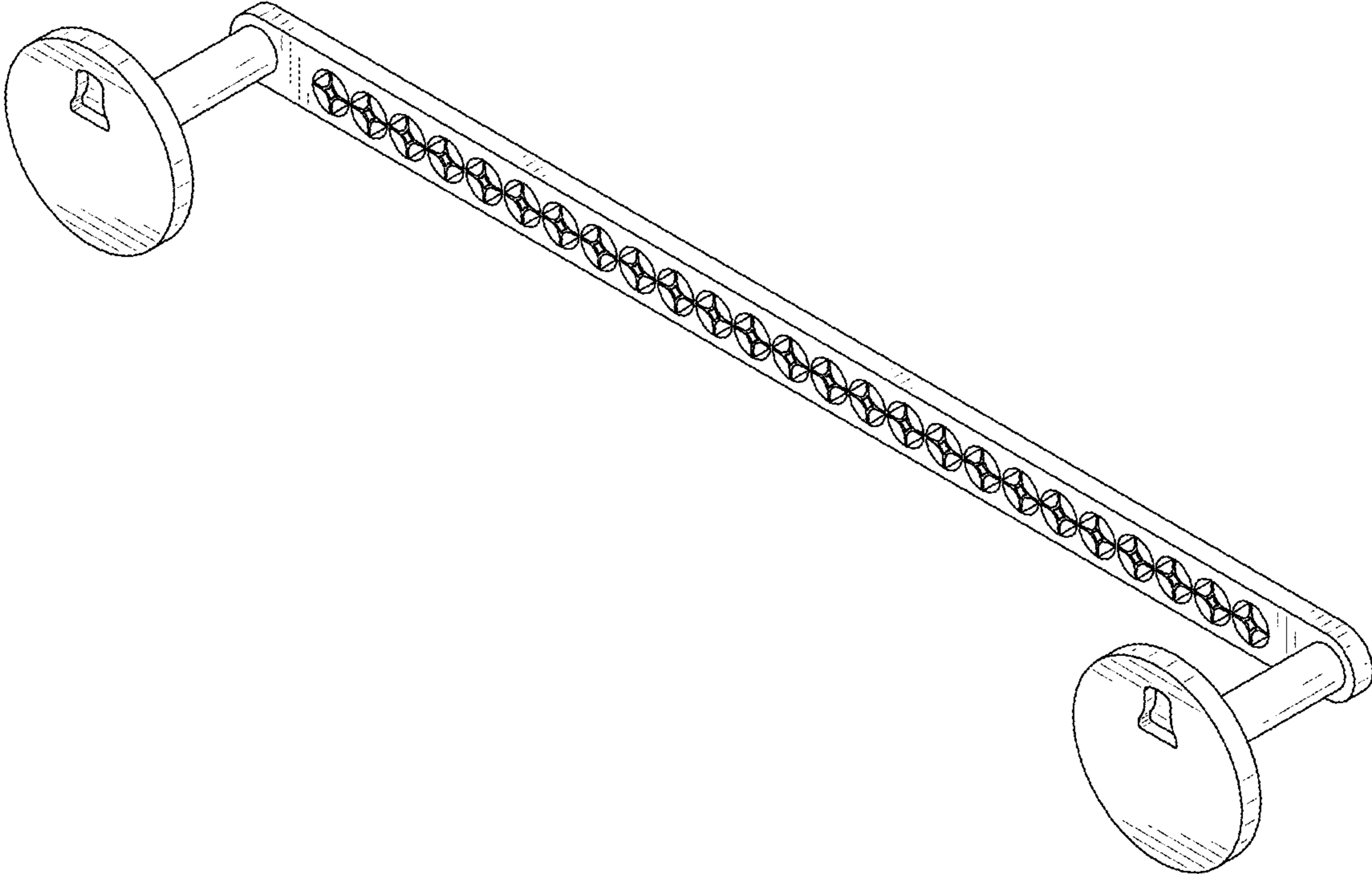


FIG. 2

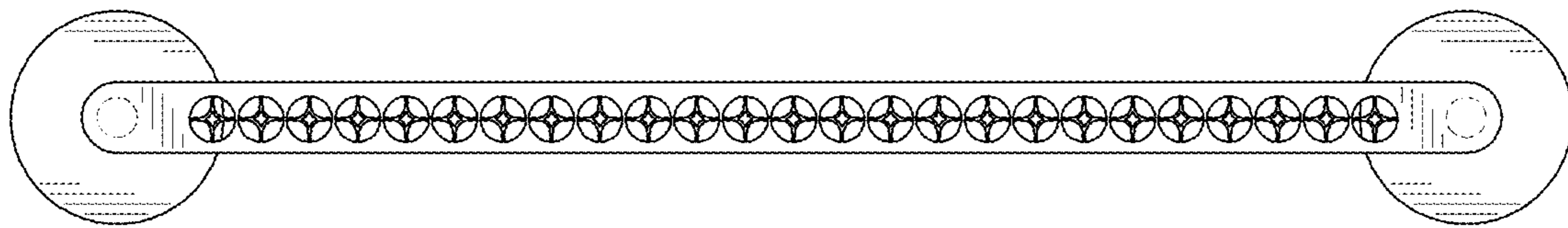


FIG. 3

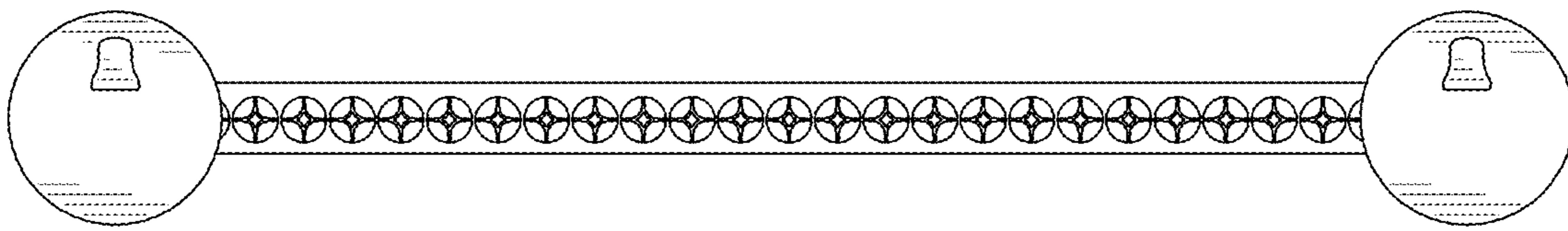


FIG. 4

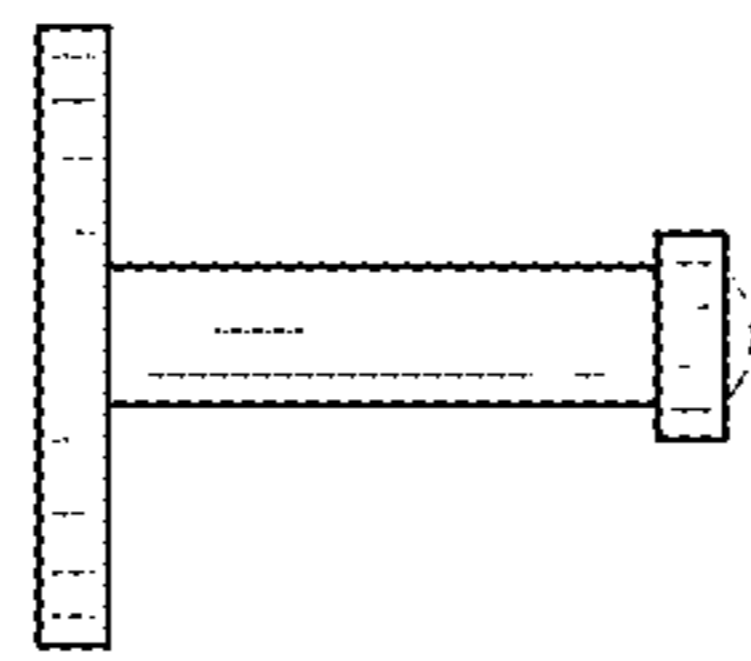


FIG. 5

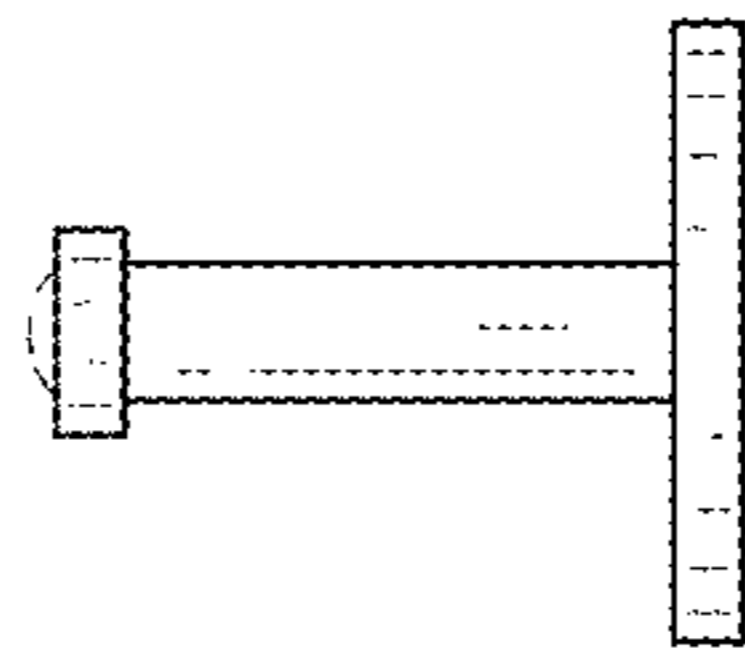


FIG. 6

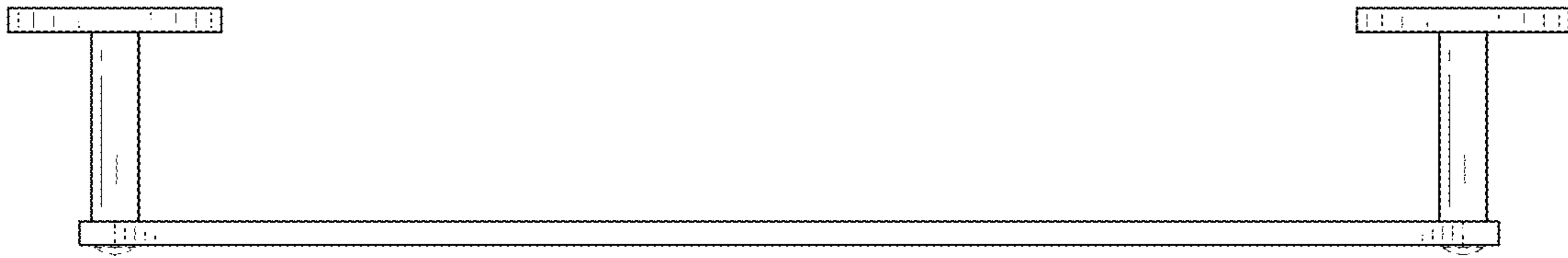


FIG. 7

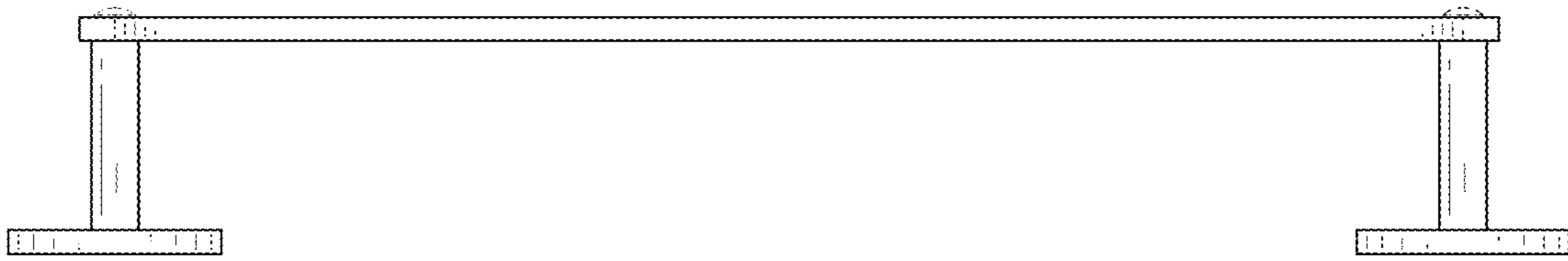


FIG. 8