



US00D879497S

(12) **United States Design Patent**  
**Norton et al.**

(10) **Patent No.:** **US D879,497 S**  
(45) **Date of Patent:** **\*\* Mar. 31, 2020**

(54) **TOILET PAPER STORAGE DEVICE**

(71) Applicants: **Jody Ray Norton**, Milton-freewater, OR (US); **Kristi J. Noron**, Milton-freewater, OR (US)

(72) Inventors: **Jody Ray Norton**, Milton-freewater, OR (US); **Kristi J. Noron**, Milton-freewater, OR (US)

(\*\*) Term: **15 Years**

(21) Appl. No.: **29/675,617**

(22) Filed: **Jan. 3, 2019**

(51) **LOC (12) Cl.** ..... **20-02**

(52) **U.S. Cl.**  
USPC ..... **D6/520**

(58) **Field of Classification Search**  
USPC ..... D6/523, 329, 396, 403, 486, 515-522, D6/524; 206/6.1, 233, 261, 278.1, 389, 206/391, 736; 242/570, 590, 251, 558, 242/560, 595-598, 905; 211/13.1, 45, 211/85.6, 123, 86.01, 87.01; 221/33, 45, 221/282, 283; 312/34.1, 245  
CPC ..... A47K 10/38; A47K 10/40; A47K 2010/3233; A47K 10/32; A47K 10/04; A47K 10/18; A47K 10/3809; A47K 2010/3246  
See application file for complete search history.

(56) **References Cited**

**U.S. PATENT DOCUMENTS**

D335,411 S \* 5/1993 Martens ..... D6/513  
D381,538 S \* 7/1997 Smith ..... D6/520  
D447,899 S \* 9/2001 Draughn ..... D6/523

D527,936 S \* 9/2006 Sirkis ..... D6/520  
2007/0023563 A1 \* 2/2007 Hendrix ..... A47K 10/3827  
242/560  
2019/0223667 A1 \* 7/2019 Apostolides ..... A47K 10/22

\* cited by examiner

*Primary Examiner* — Wan Laymon  
*Assistant Examiner* — Mark Booker  
(74) *Attorney, Agent, or Firm* — Quickpatents, LLC; Kevin Prince

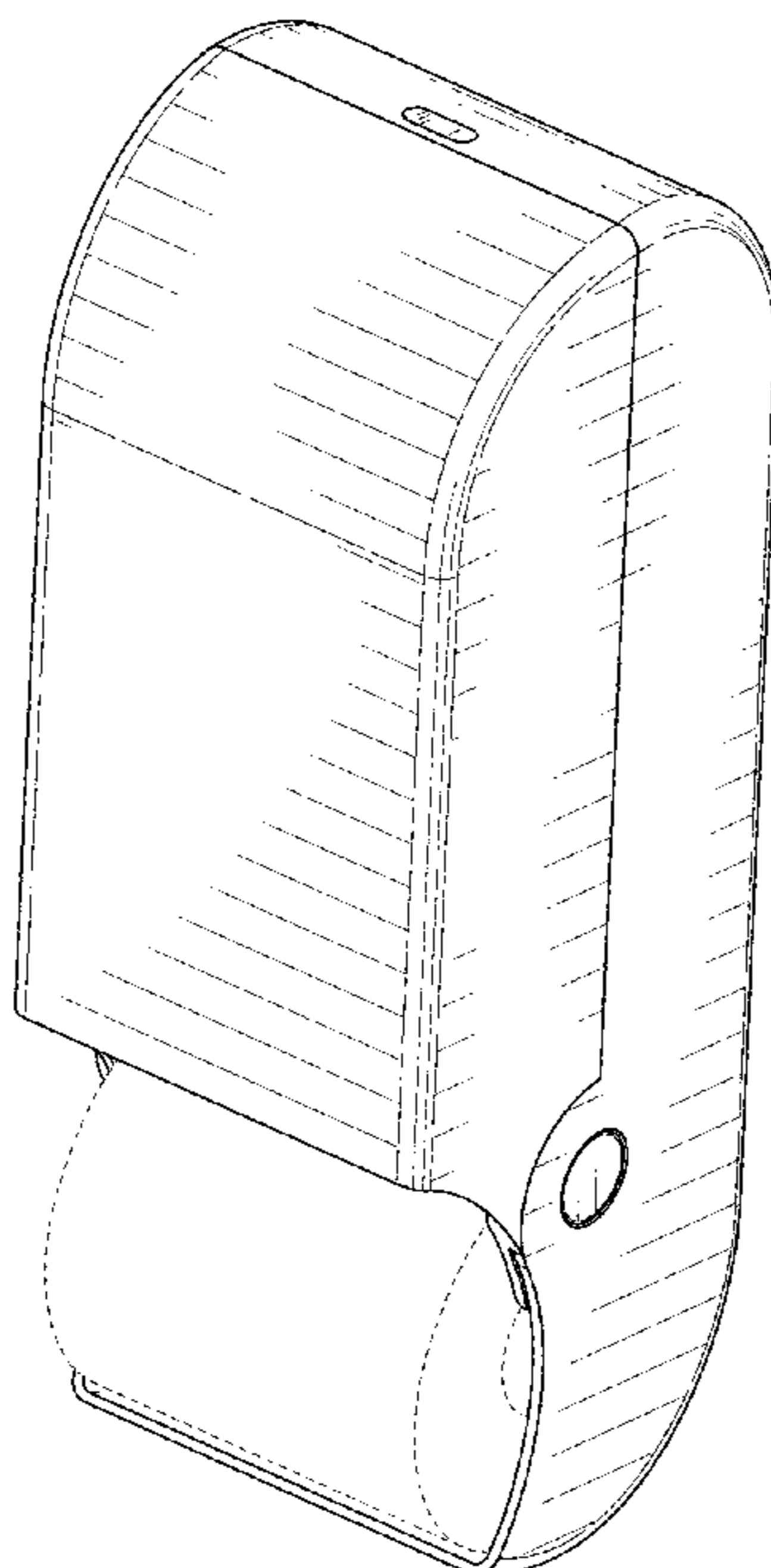
(57) **CLAIM**

The ornamental design for a toilet paper storage device, as shown and described.

**DESCRIPTION**

FIG. 1 is a perspective view of a toilet paper storage device, showing our new design in a closed configuration; FIG. 2 is a front elevational view of FIG. 1; FIG. 3 is a rear elevational view of FIG. 1; FIG. 4 is a rear perspective view of FIG. 1; FIG. 5 is a left-side elevational view of FIG. 1, the rear elevational view being a mirror image thereof; FIG. 6 is a top plan view of FIG. 1; FIG. 7 is a bottom plan view of FIG. 1; FIG. 8 is a front perspective view thereof, illustrated in an open configuration; FIG. 9 is a front elevational view of FIG. 8; FIG. 10 is a left-side elevational view of FIG. 8, the right-side elevational view being a mirror image thereof; and, FIG. 11 is a top plan view of FIG. 8.  
The broken lines showing a roll of toilet paper in FIG. 1 depict environmental matter and form no part of the claimed design. The remaining broken lines represent portions of the toilet paper storage device that form no part of the claimed design.

**1 Claim, 9 Drawing Sheets**



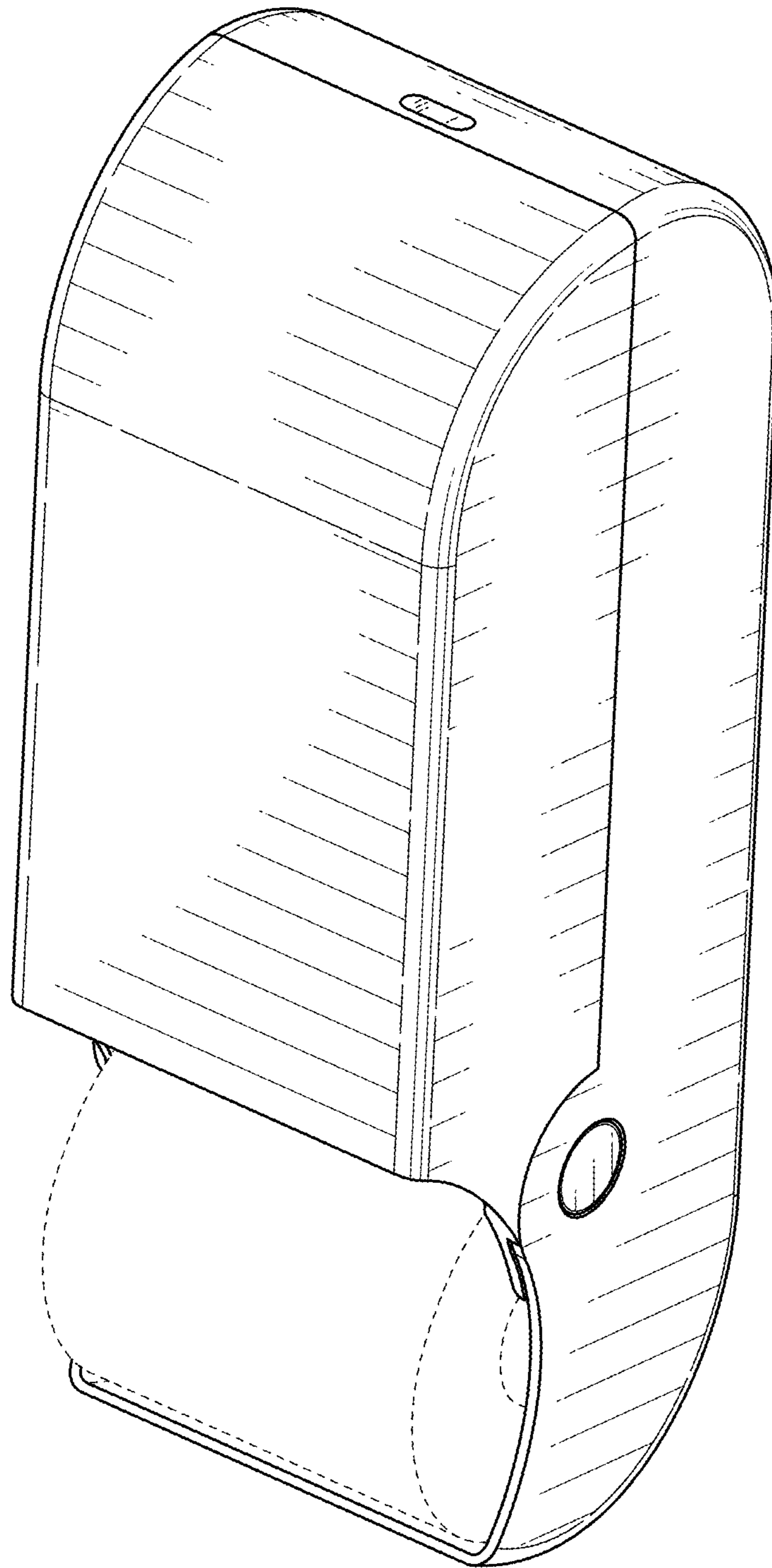


FIG. 1

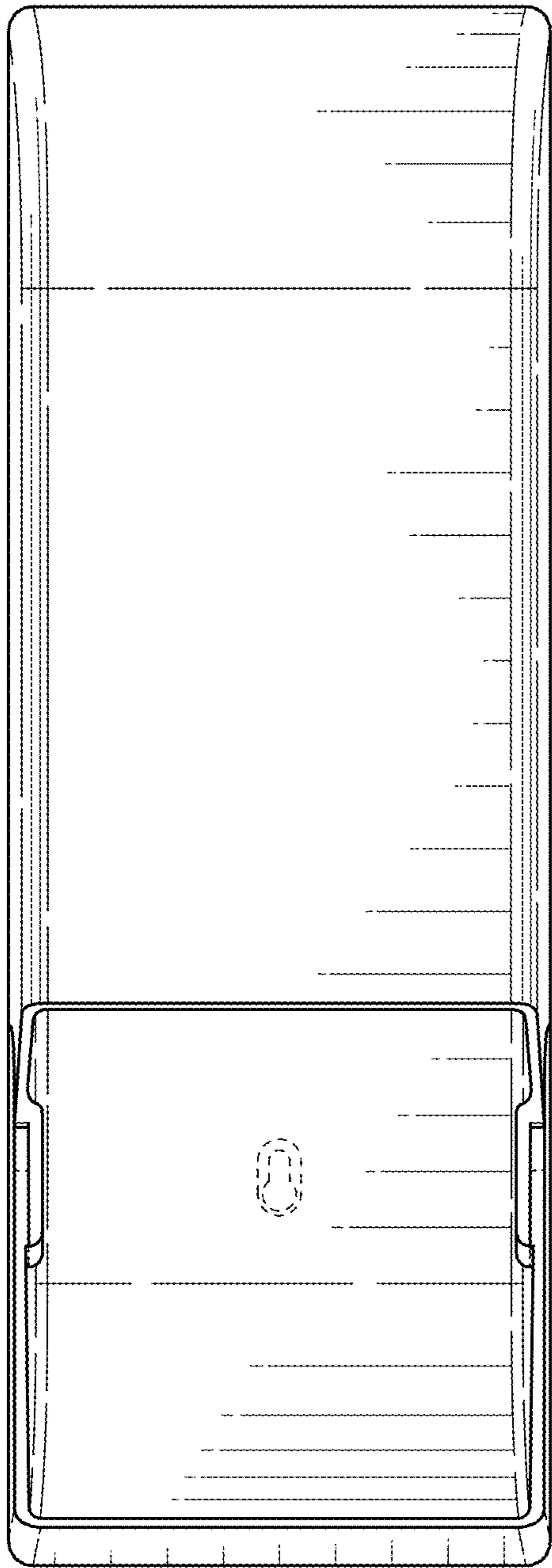


FIG. 2

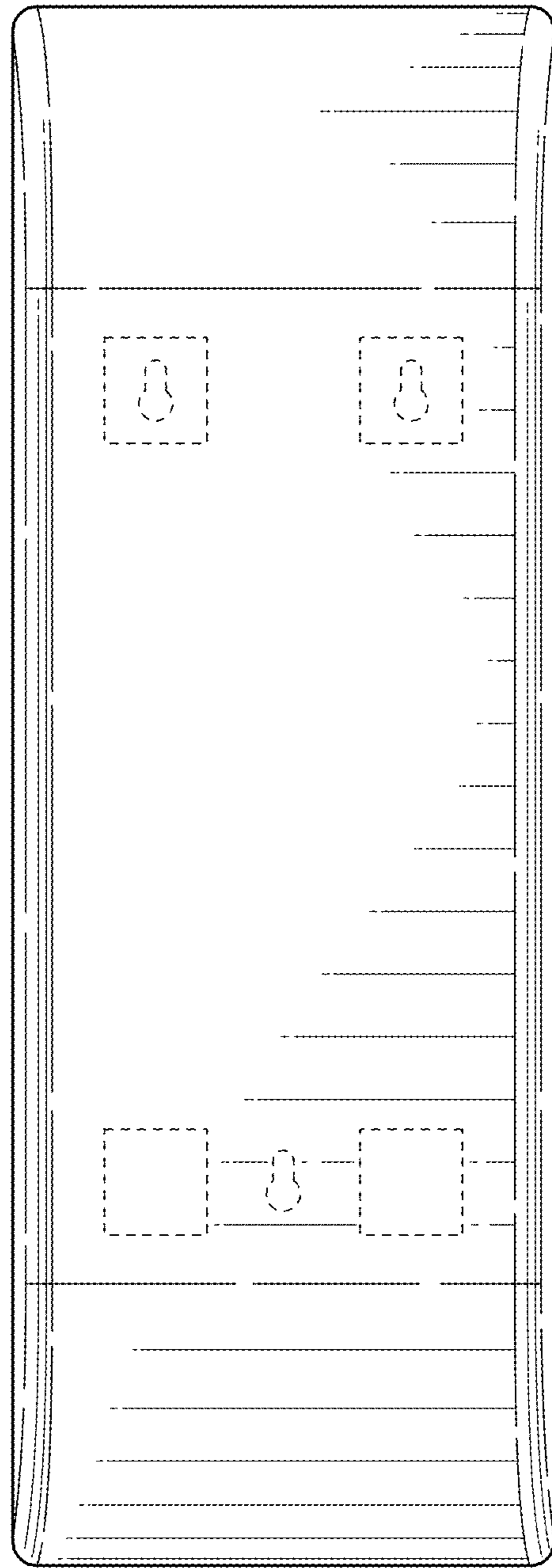


FIG. 3

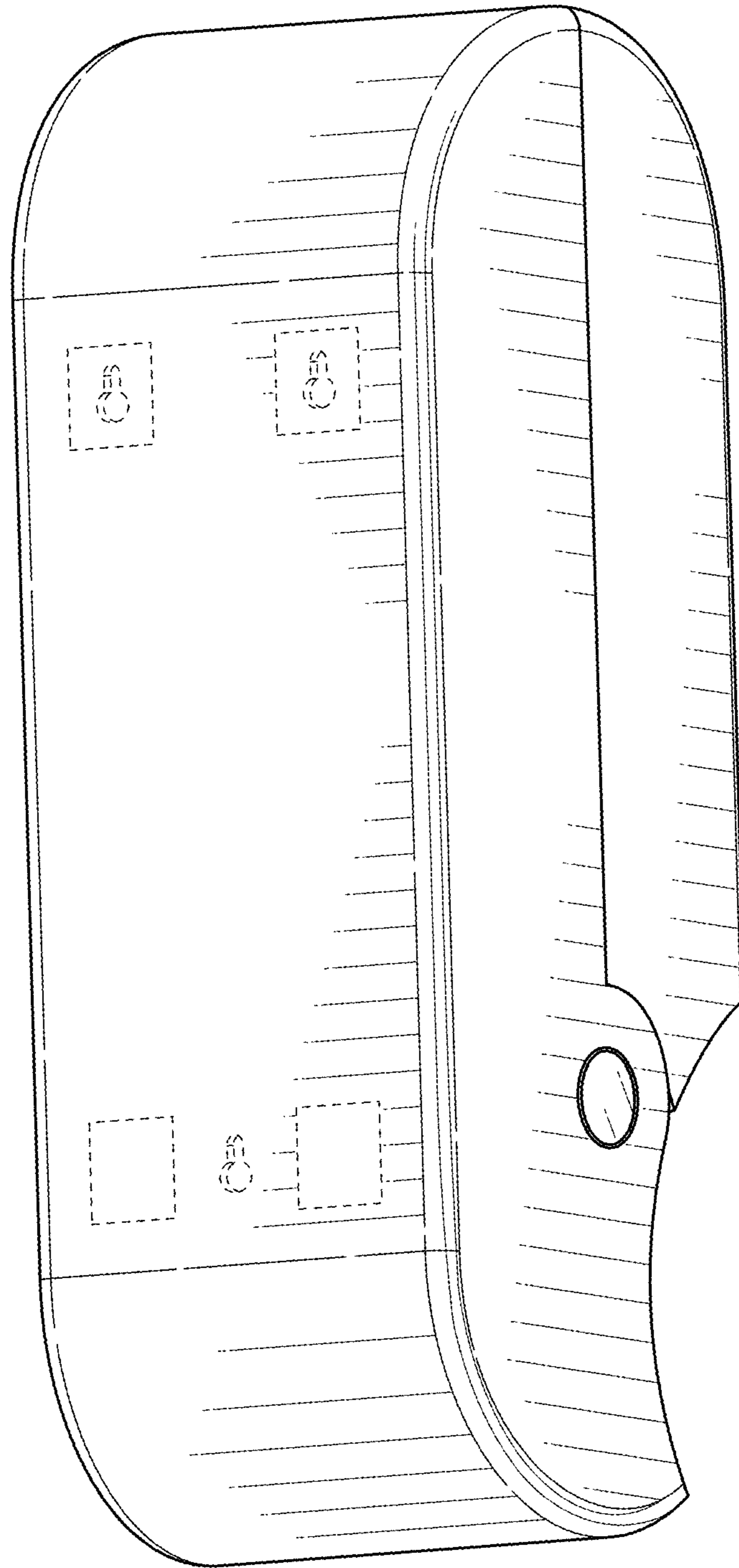


FIG. 4

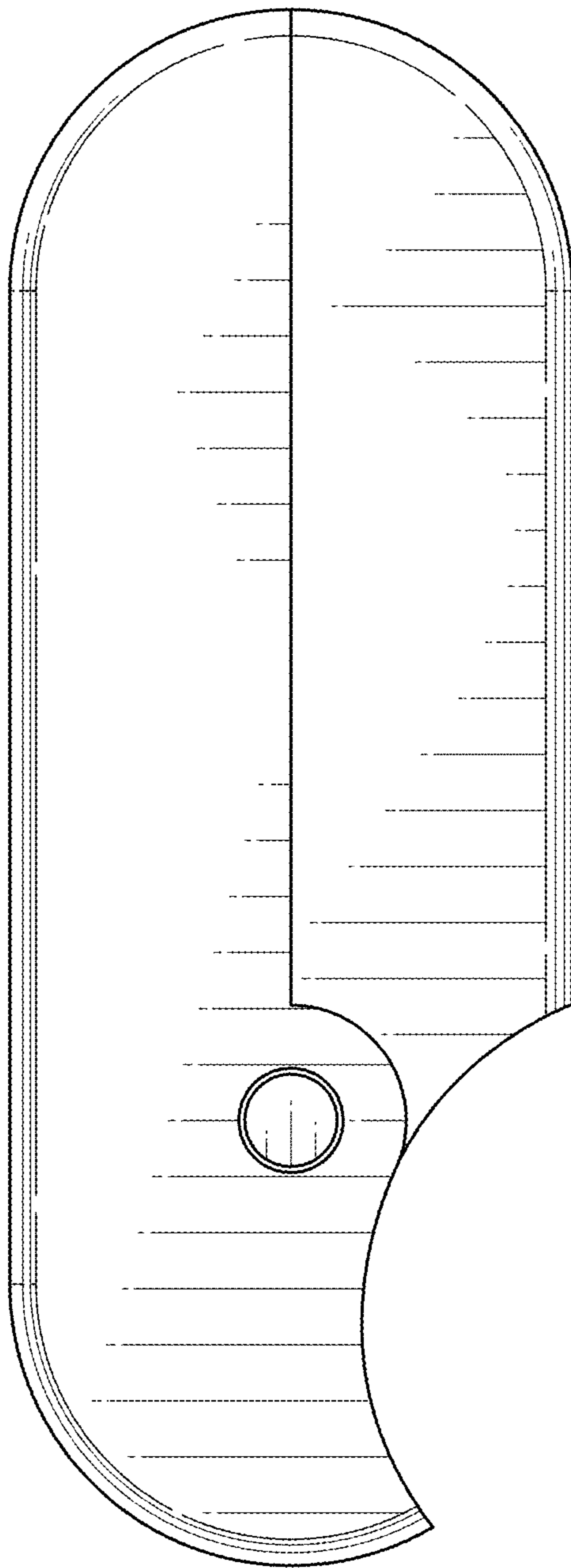


FIG. 5

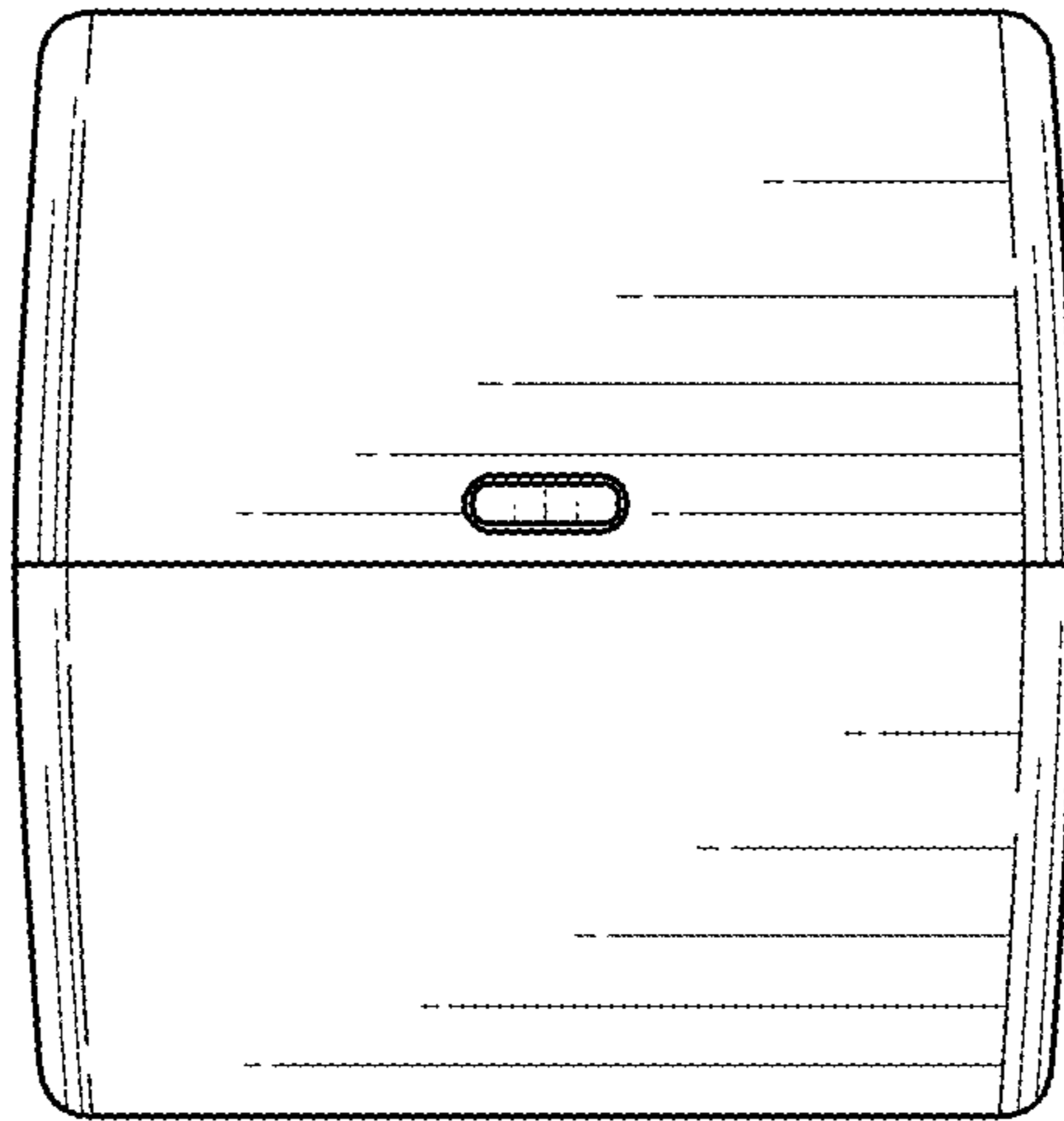


FIG. 6

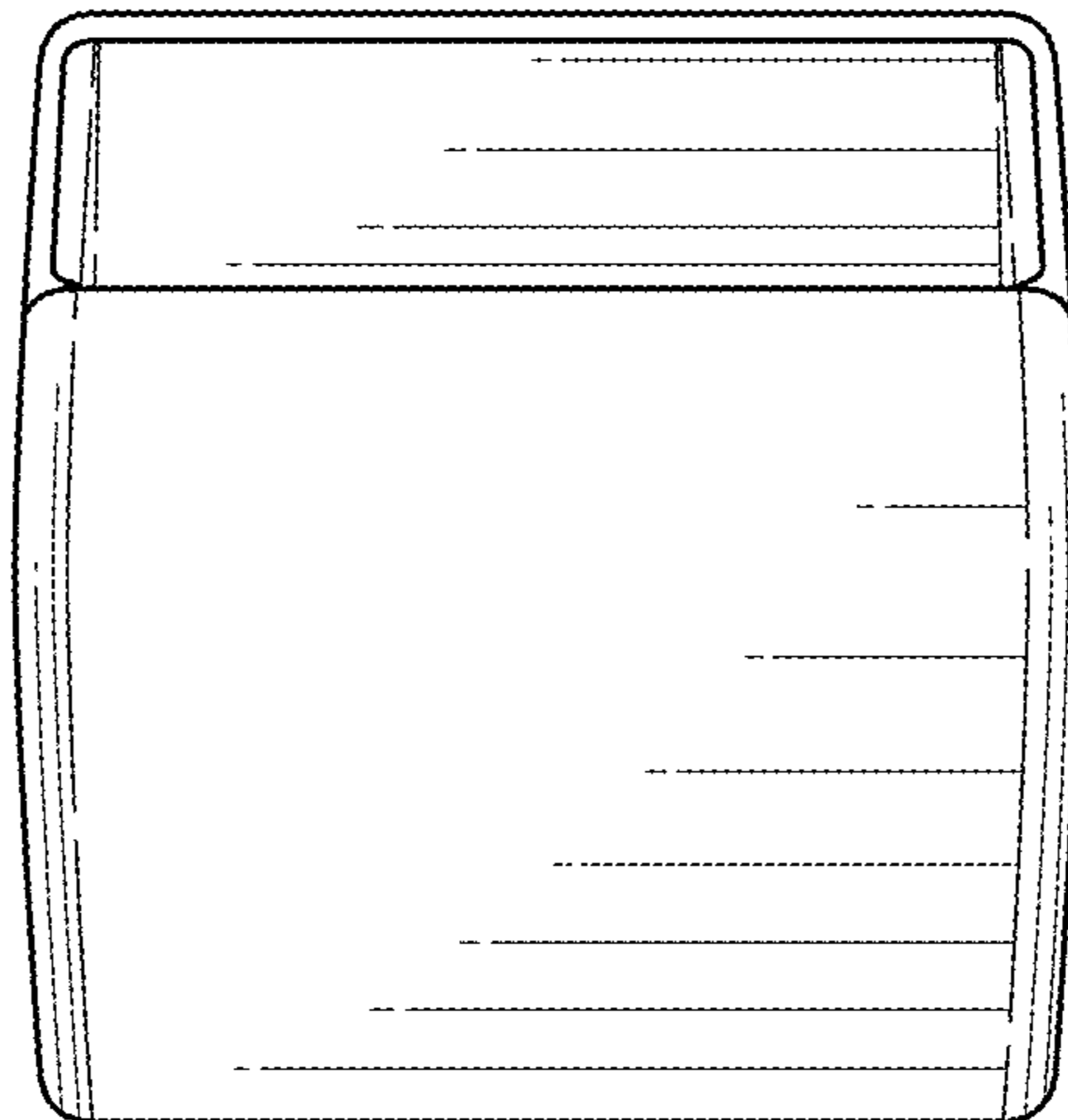


FIG. 7

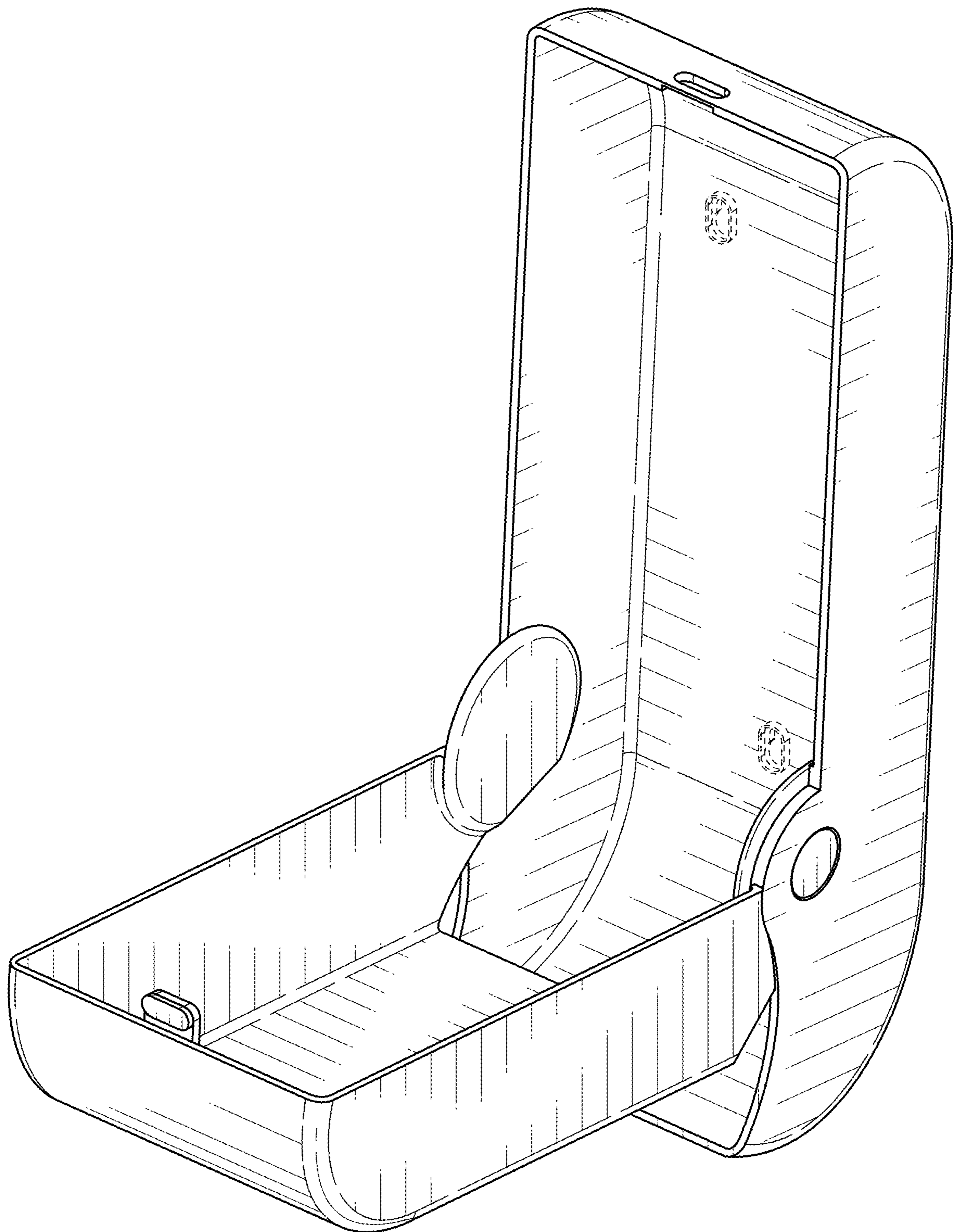


FIG. 8

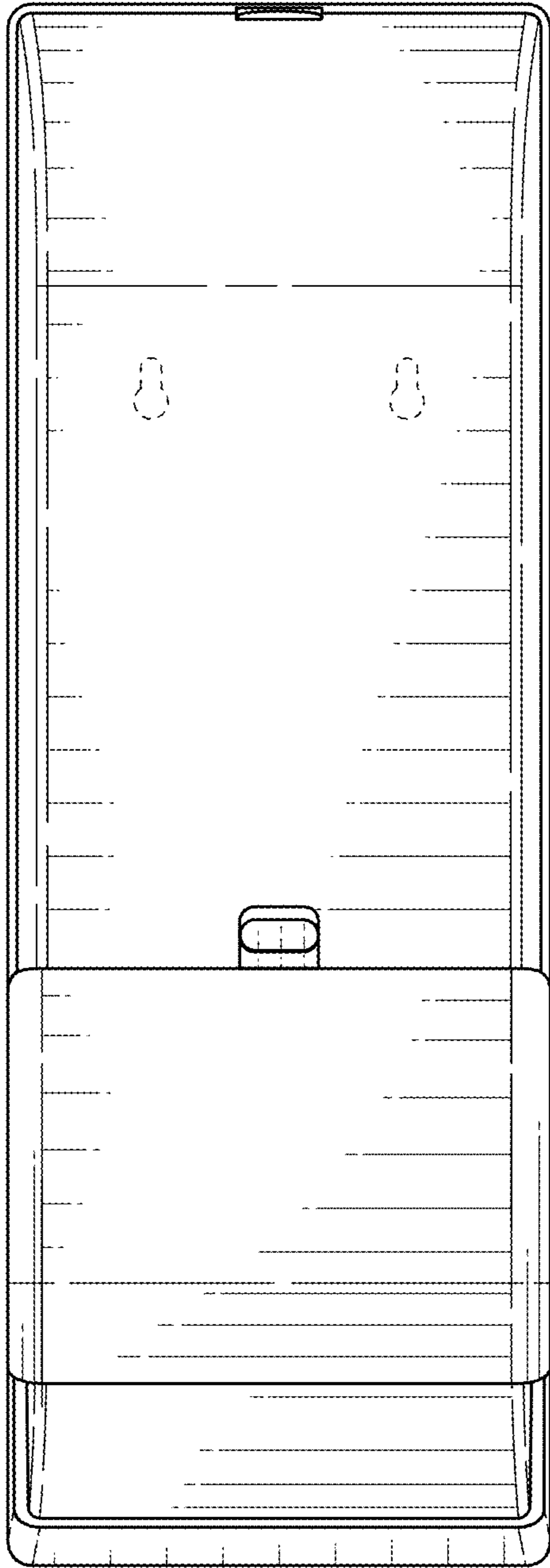


FIG. 9



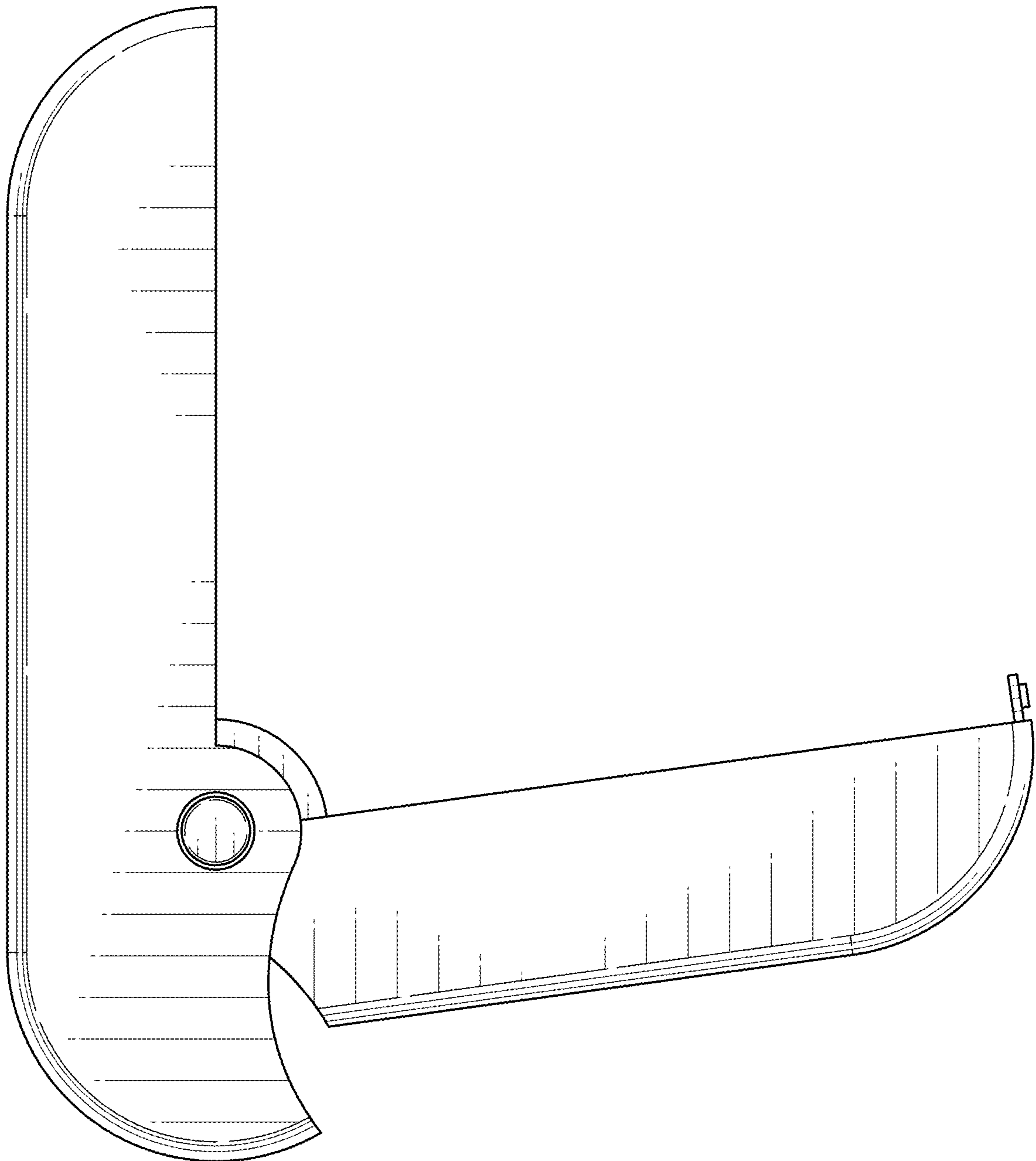


FIG. 10

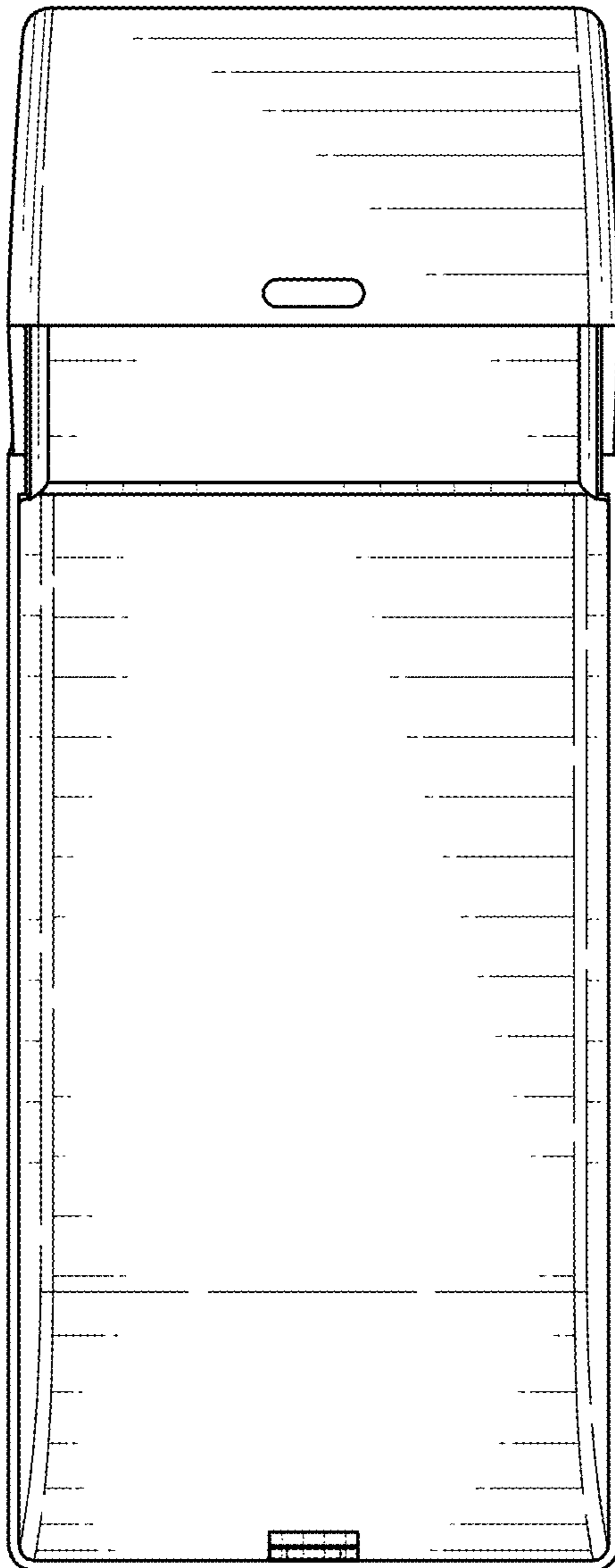


FIG. 11