



US00D879496S

(12) **United States Design Patent**  
**Velez**

(10) **Patent No.:** **US D879,496 S**

(45) **Date of Patent:** **\*\* Mar. 31, 2020**

(54) **CHAIR**

(71) Applicant: **Holly Hunt Enterprises, Inc.**, Chicago, IL (US)

(72) Inventor: **Alberto Velez**, Chicago, IL (US)

(73) Assignee: **HOLLY HUNT ENTERPRISES, INC.**, Chicago, IL (US)

(\*\*) Term: **15 Years**

(21) Appl. No.: **29/668,373**

(22) Filed: **Oct. 30, 2018**

(51) **LOC (12) Cl.** ..... **06-01**

(52) **U.S. Cl.**  
USPC ..... **D6/380**

(58) **Field of Classification Search**  
USPC ..... D6/334, 335, 349, 370-376, 379, 380  
CPC .... A47C 1/00; A47C 3/00; A47C 3/04; A47C 3/12; A47C 5/04; A47C 5/14; A47C 7/02; A47C 7/16; A47C 7/18; A47C 7/24; A47C 7/36; A47C 7/40

See application file for complete search history.

(56) **References Cited**

**U.S. PATENT DOCUMENTS**

D190,955 S \* 7/1961 Galloway ..... D6/374  
D351,294 S \* 10/1994 Fleishman ..... D6/374

D569,647 S \* 5/2008 Mezger ..... D6/374  
D730,097 S \* 5/2015 Kubryk ..... D6/716  
D730,100 S \* 5/2015 Kubryk ..... D6/716  
D751,838 S \* 3/2016 Ciani ..... D6/381  
D794,349 S \* 8/2017 Levy ..... D6/374  
D815,452 S \* 4/2018 Hannoosh ..... D6/380  
D825,216 S \* 8/2018 Schaeffer ..... D6/375  
D836,934 S \* 1/2019 Guffler ..... D6/380  
D850,138 S \* 6/2019 Taraba ..... D6/380

\* cited by examiner

*Primary Examiner* — R. Johnson

(74) *Attorney, Agent, or Firm* — The Belles Group, P.C.

(57) **CLAIM**

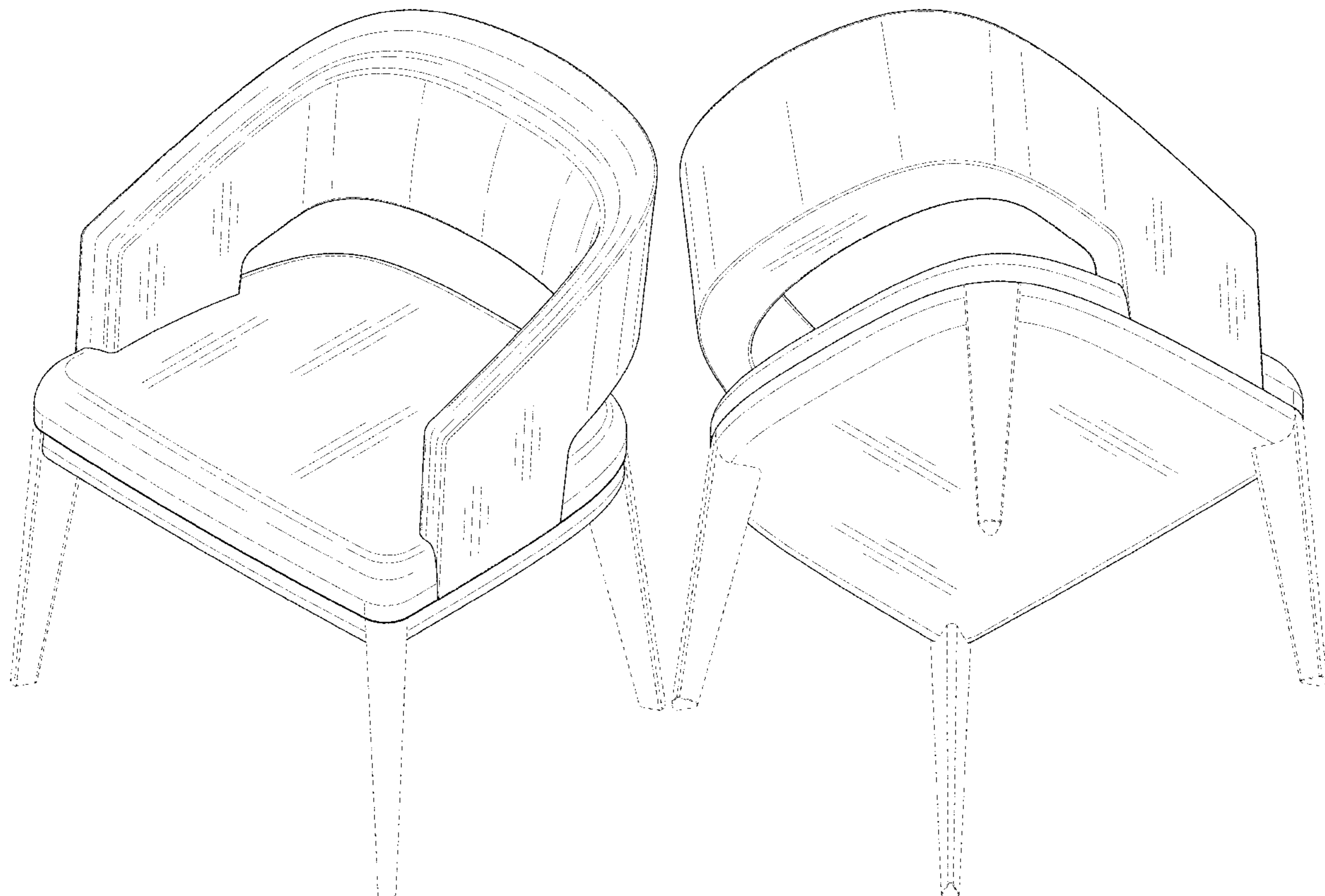
The ornamental design for a chair, as shown and described.

**DESCRIPTION**

FIG. 1 is a top front perspective view of a chair according to the new design;  
FIG. 2 is a bottom rear perspective view thereof;  
FIG. 3 is a front view thereof;  
FIG. 4 is a rear view thereof;  
FIG. 5 is a right side view thereof;  
FIG. 6 is a left side view thereof;  
FIG. 7 is a top view thereof; and,  
FIG. 8 is a bottom view thereof.

The broken lines in the drawings illustrate portions of the chair that form no part of the claimed design.

**1 Claim, 8 Drawing Sheets**



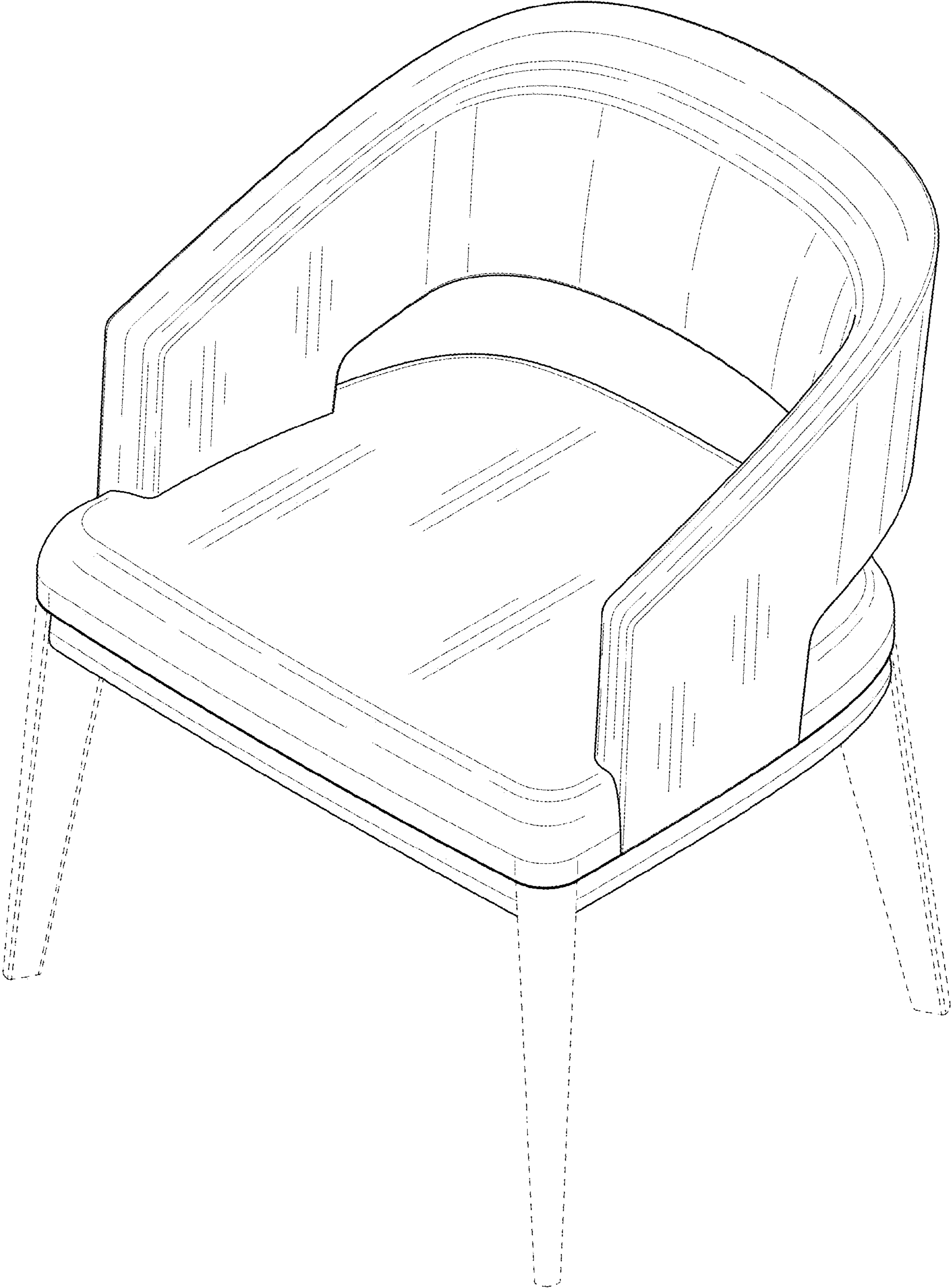


FIG. 1

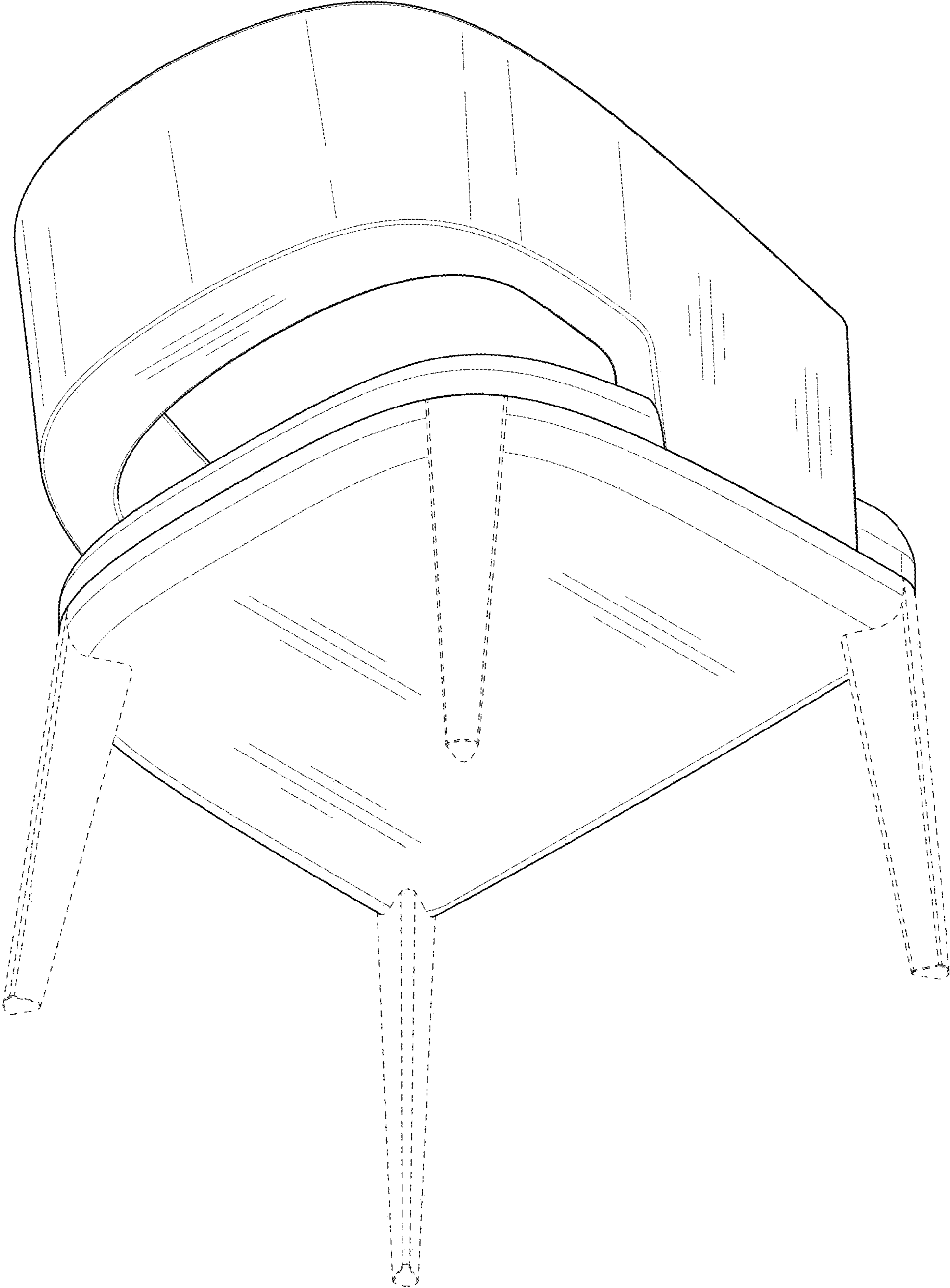


FIG. 2

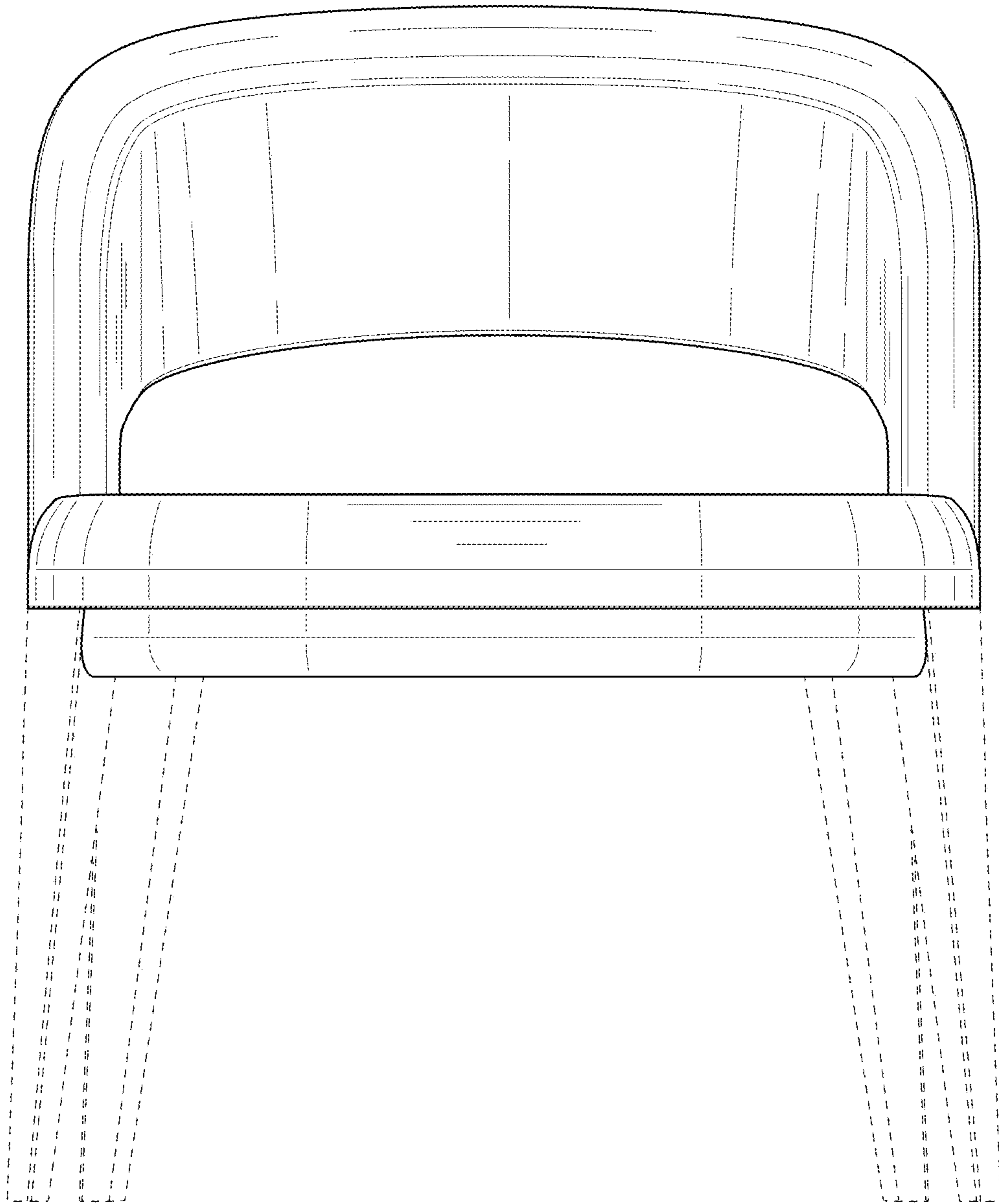


FIG. 3



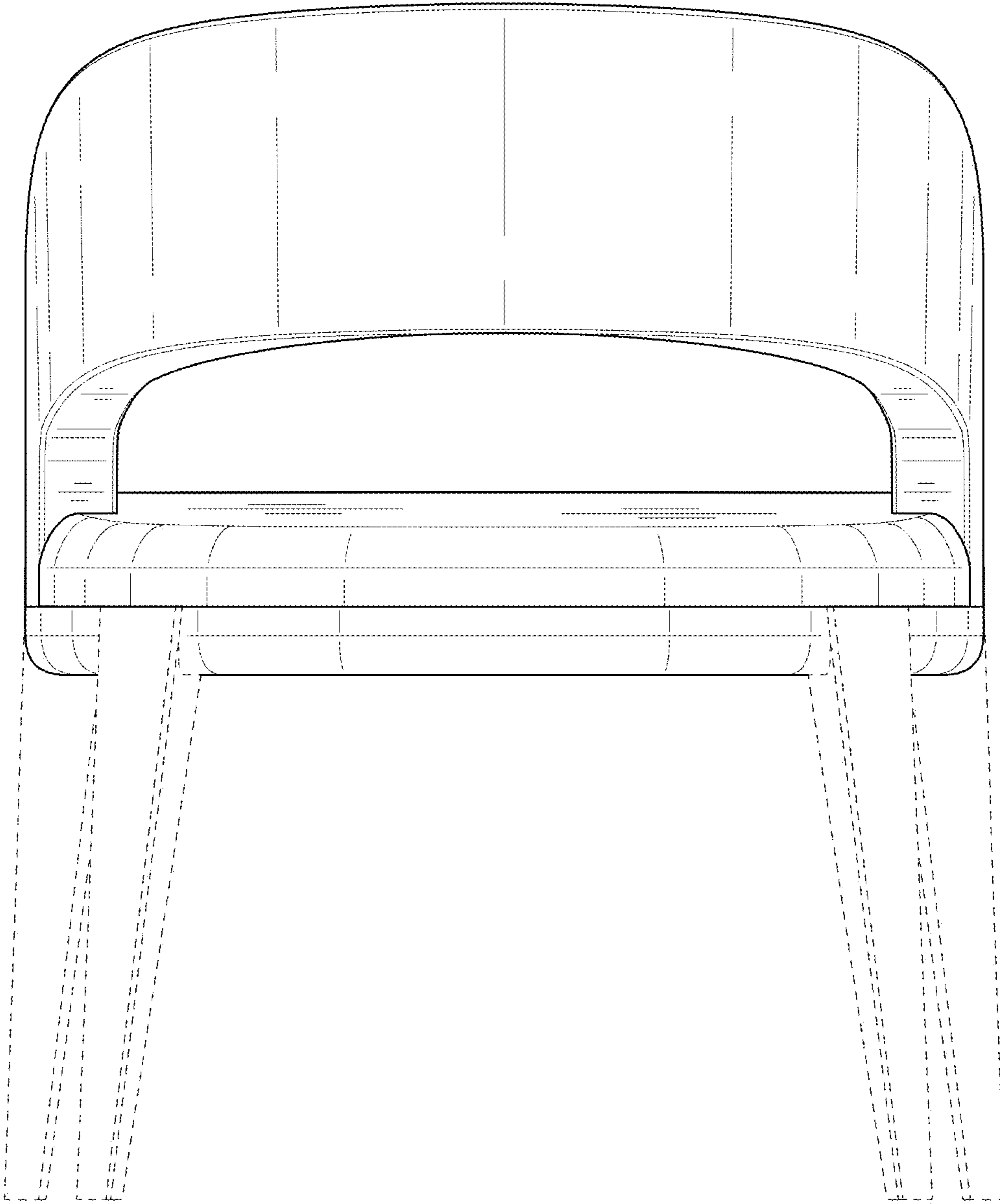


FIG. 4

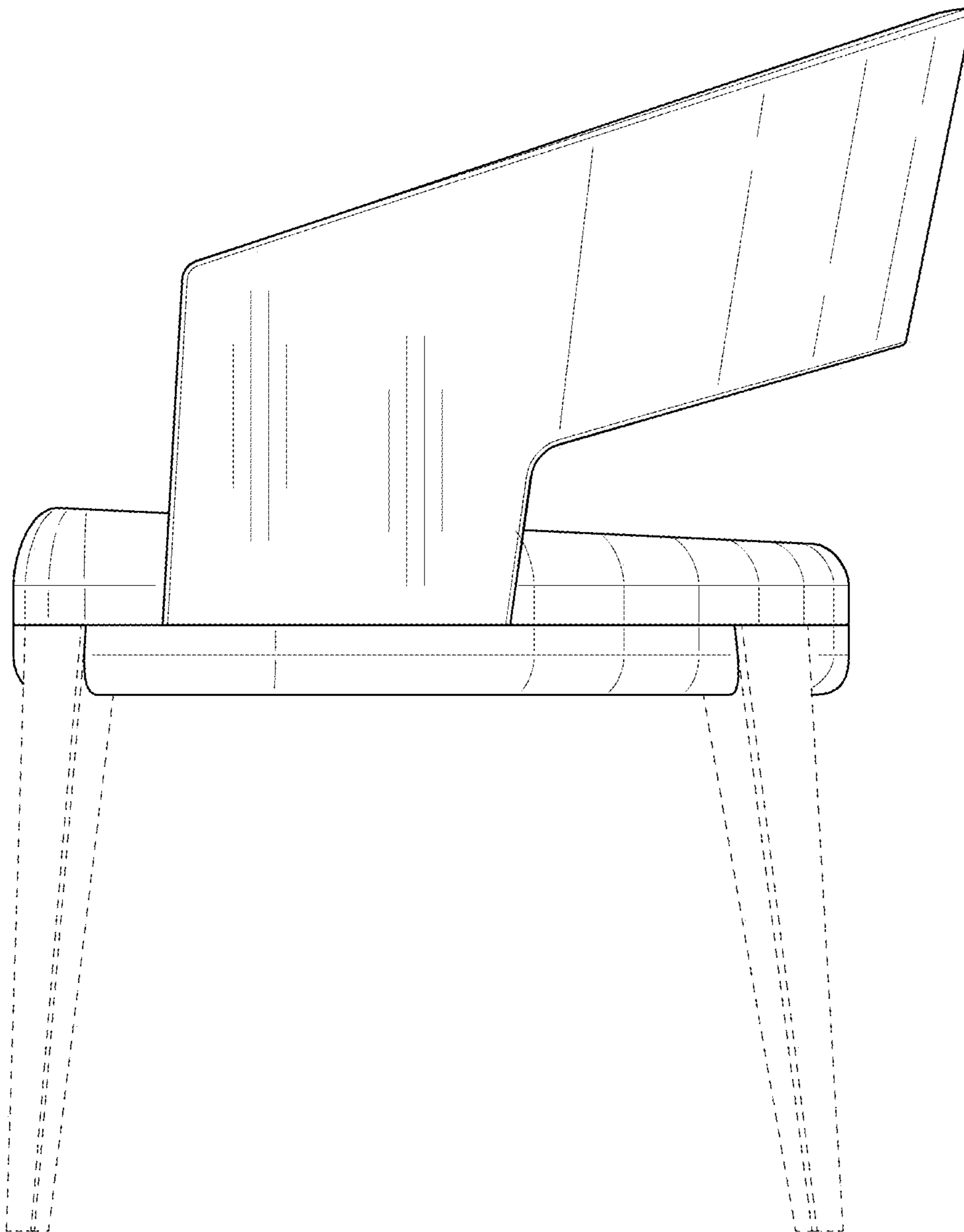


FIG. 5

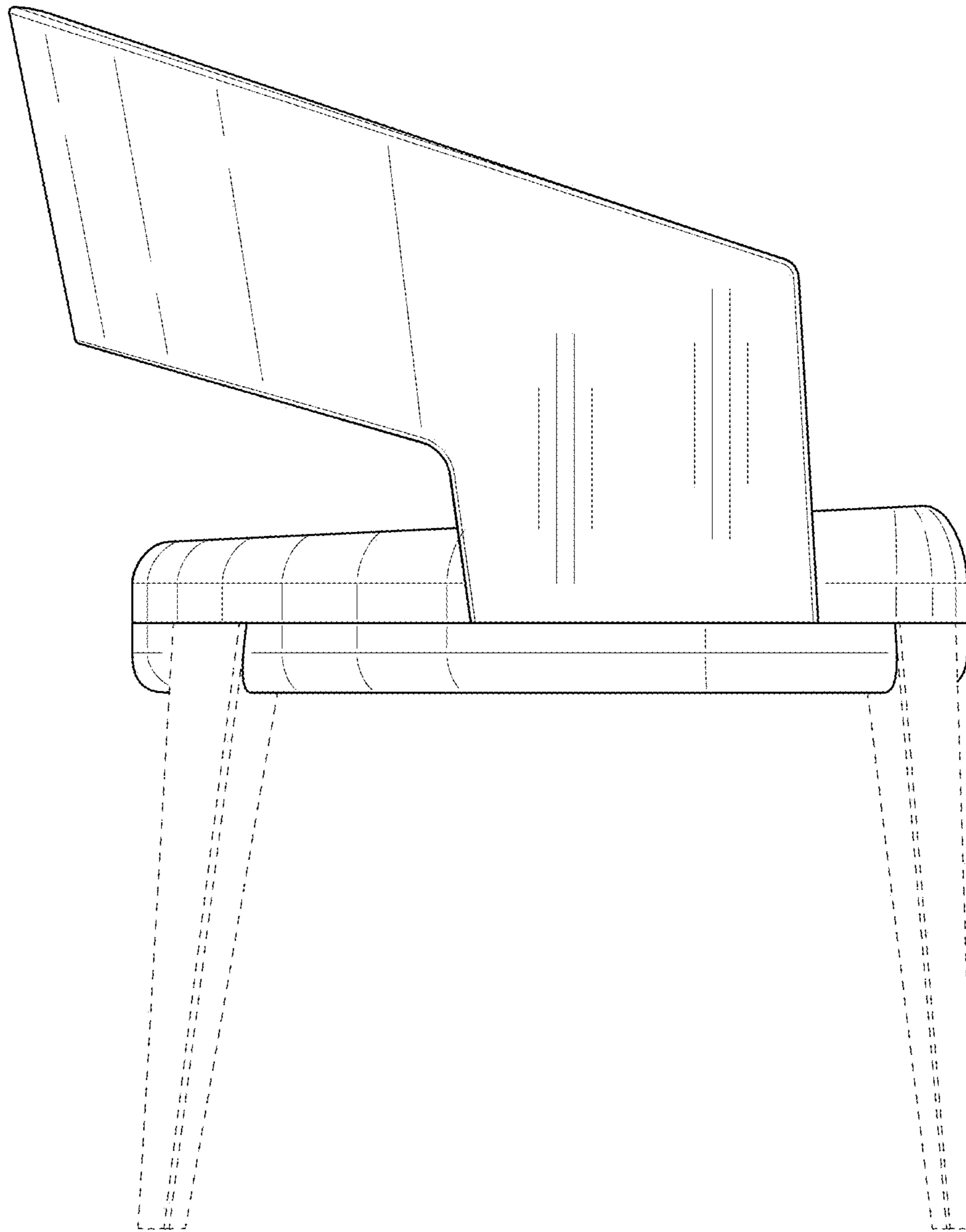


FIG. 6

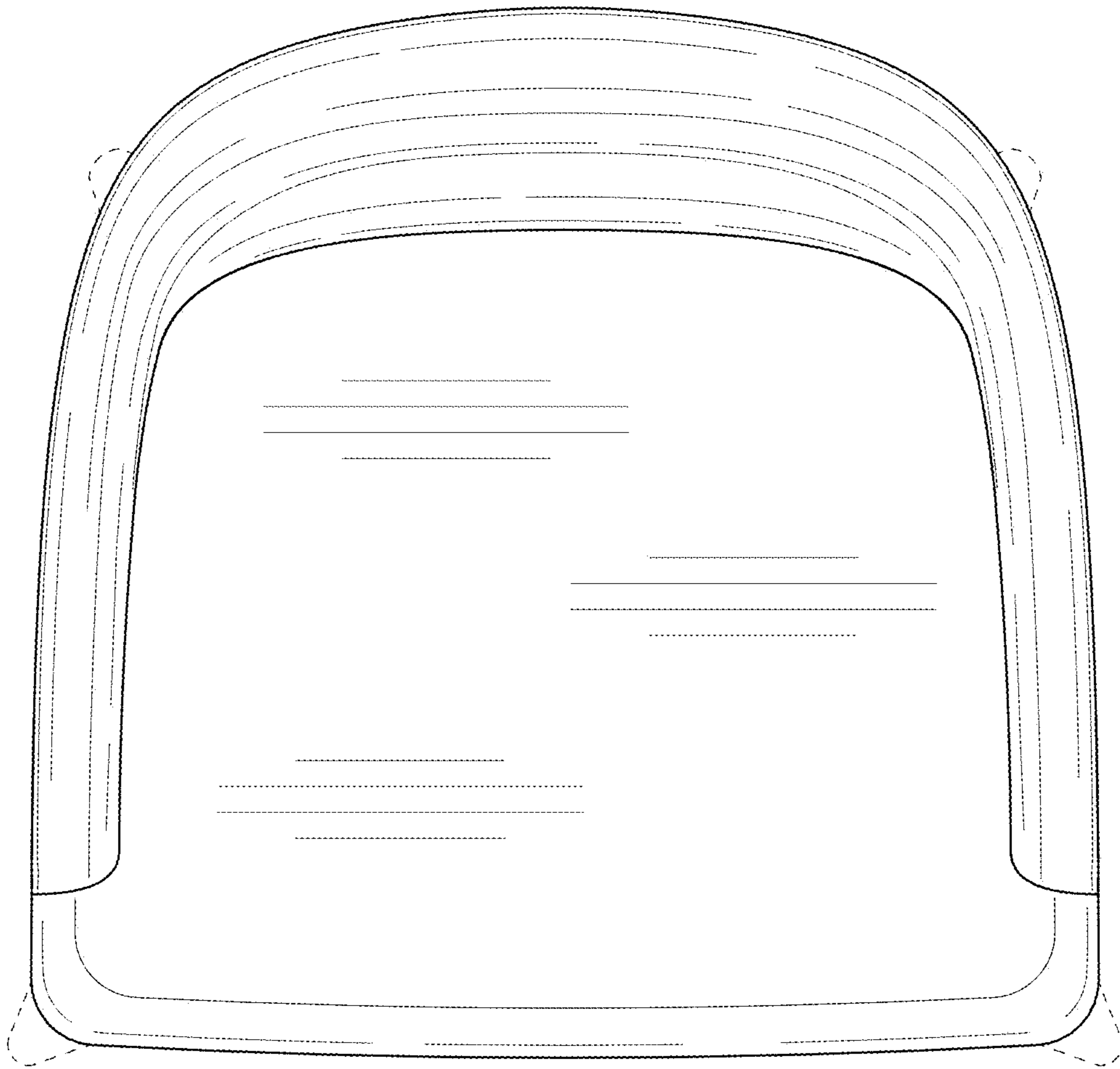


FIG. 7



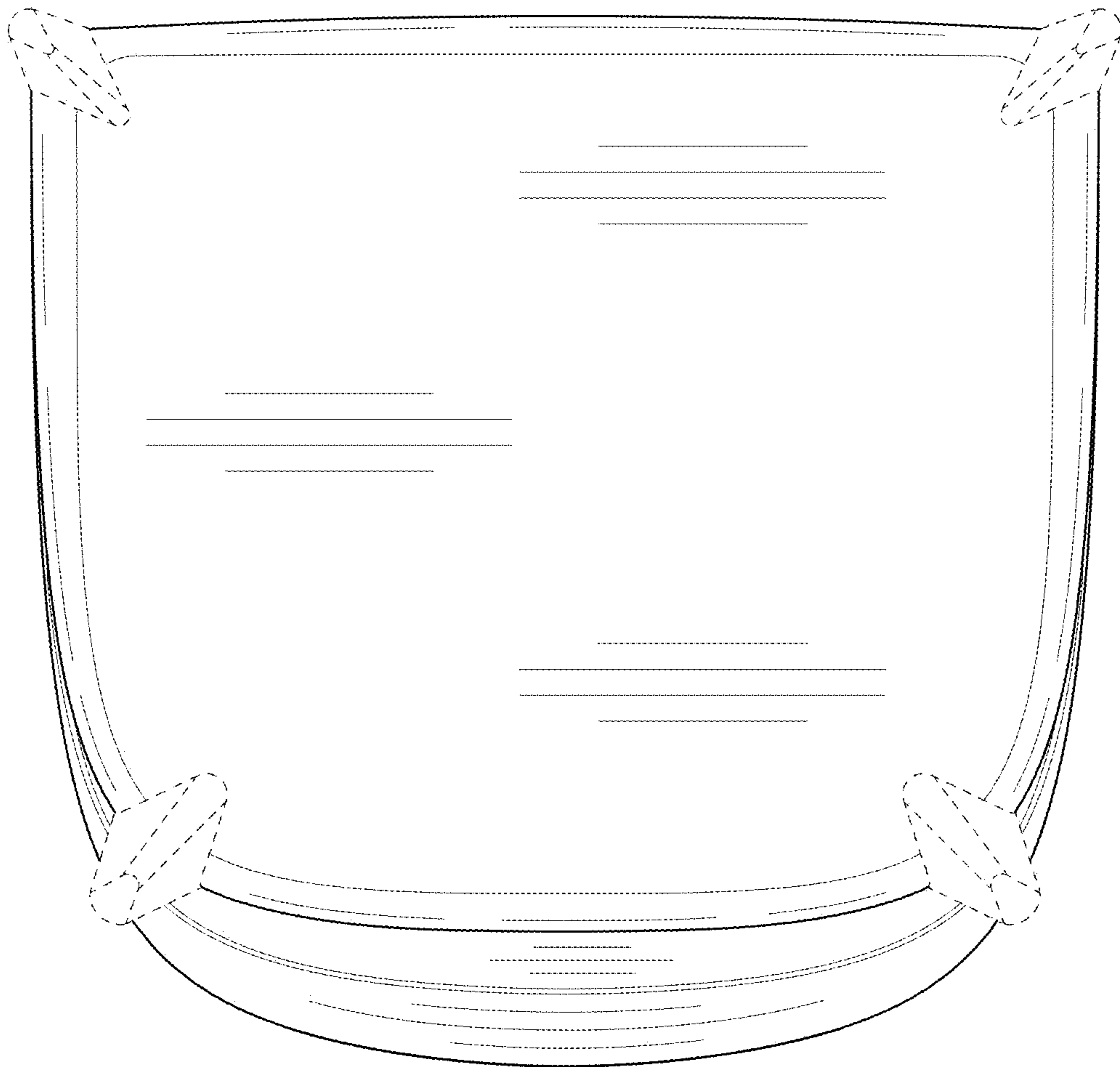


FIG. 8