

US00D879491S

(12) **United States Design Patent**  
**Wang**

(10) **Patent No.:** **US D879,491 S**

(45) **Date of Patent:** **\*\* Mar. 31, 2020**

(54) **CHAIR**

(71) Applicant: **ZHEJIANG HENGLIN CHAIR  
INDUSTRY CO., LTD., Zhejiang (CN)**

(72) Inventor: **Jianglin Wang, Zhejiang (CN)**

(73) Assignee: **ZHEJIANG HENGLIN CHAIR  
INDUSTRY CO., LTD., Zhejiang (CN)**

(\*\*) Term: **15 Years**

(21) Appl. No.: **29/670,296**

(22) Filed: **Nov. 15, 2018**

(51) **LOC (12) Cl.** ..... **06-01**

(52) **U.S. Cl.**

USPC ..... **D6/366**

(58) **Field of Classification Search**

USPC ..... D6/334-336, 364, 365, 366, 374, 379,  
D6/380, 716, 716.1, 716.2, 716.4

CPC .. A47C 7/004; A47C 7/02; A47C 3/24; A47C  
7/282; A47C 7/40; A47C 7/46; A47C  
7/462; A47C 7/24; A47C 7/54

See application file for complete search history.

(56) **References Cited**

**U.S. PATENT DOCUMENTS**

D597,771 S \* 8/2009 Weber ..... D6/716.4  
D616,213 S \* 5/2010 Parker ..... D6/366

D680,345 S \* 4/2013 Xingchang ..... D6/366  
D715,068 S \* 10/2014 Chan ..... D6/366  
D731,833 S \* 6/2015 Fifield ..... D6/716.4  
D735,512 S \* 8/2015 Chan ..... D6/716.1  
D741,100 S \* 10/2015 Chan ..... D6/716.4  
9,332,851 B2 \* 5/2016 Machael ..... A47O 7/46  
D779,252 S \* 2/2017 Welsh ..... D6/716.4  
D779,253 S \* 2/2017 Welsh ..... D6/716.4  
D846,929 S \* 4/2019 Brueske ..... D6/716  
D853,768 S \* 7/2019 Brueske ..... D6/716

\* cited by examiner

*Primary Examiner* — Mimoso De

(74) *Attorney, Agent, or Firm* — JCIPRNET

(57) **CLAIM**

The ornamental design for a chair, as shown and described.

**DESCRIPTION**

FIG. 1 is a perspective view of a chair showing my new design;

FIG. 2 is a front view thereof;

FIG. 3 is a rear view thereof;

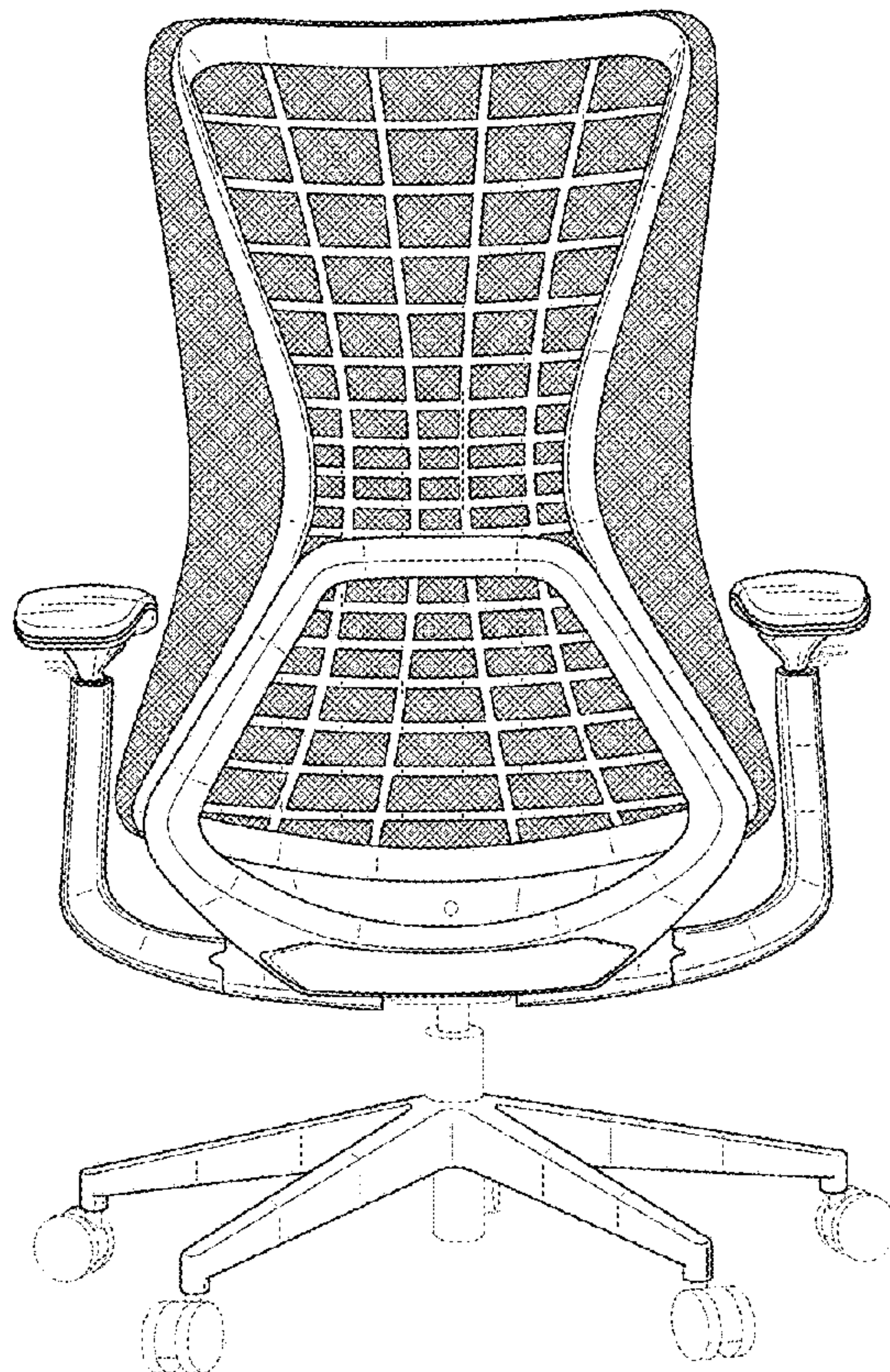
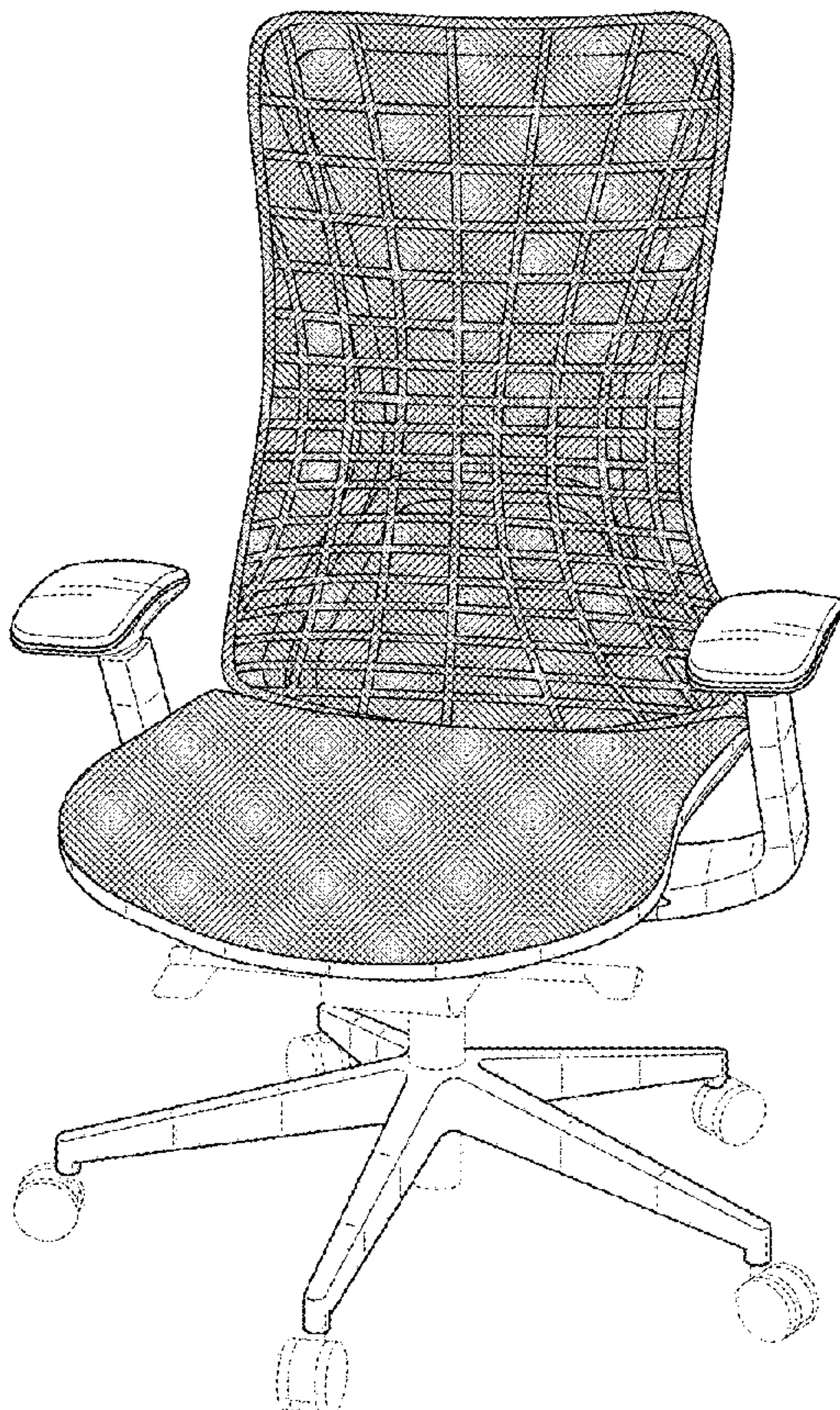
FIG. 4 is a left side view thereof;

FIG. 5 is a right side view thereof; and,

FIG. 6 is a top view thereof.

A bottom view thereof is omitted since it does not contain ornamental features. The broken line showing of portions of the chair forms no part of the claimed design.

**1 Claim, 6 Drawing Sheets**





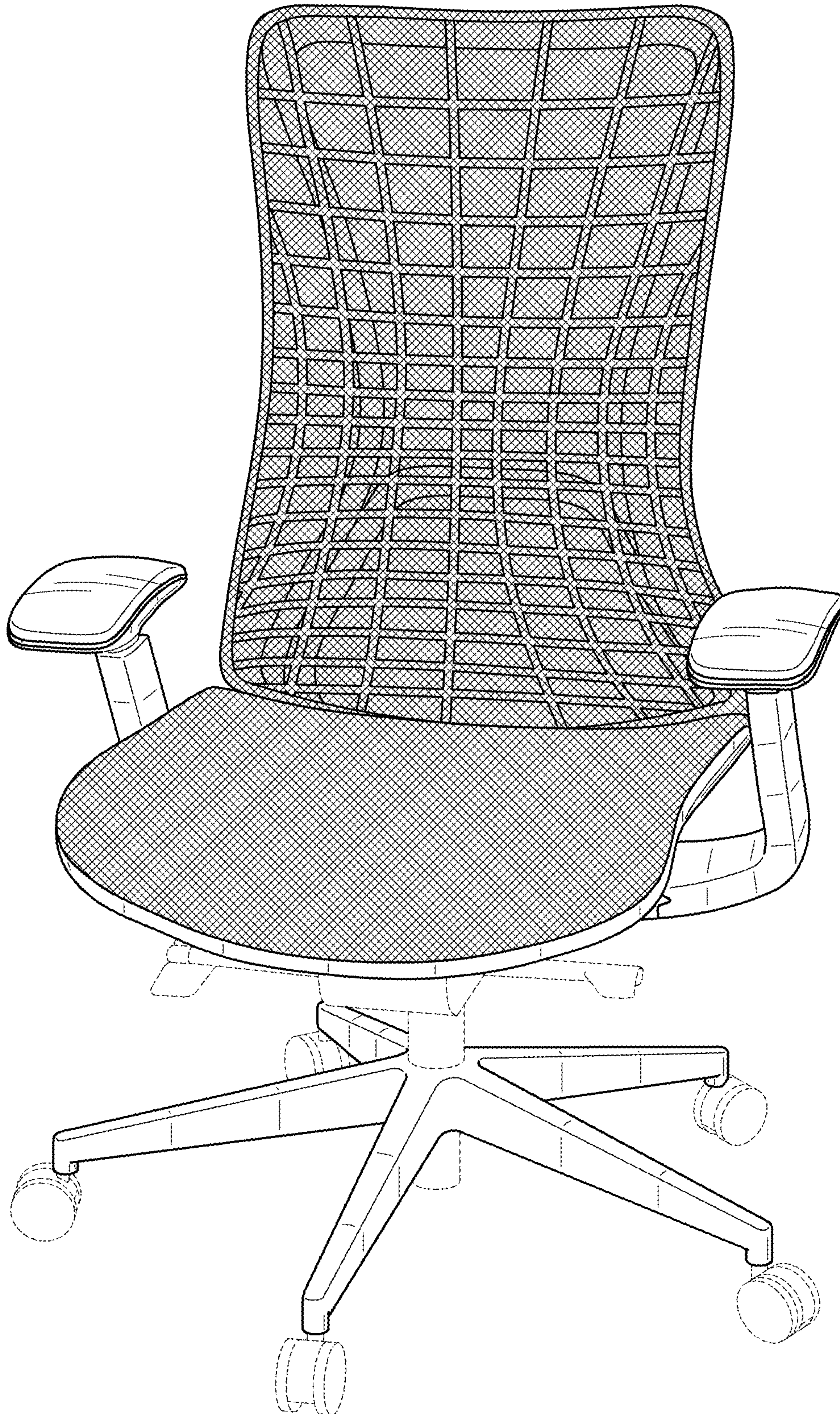


FIG. 1



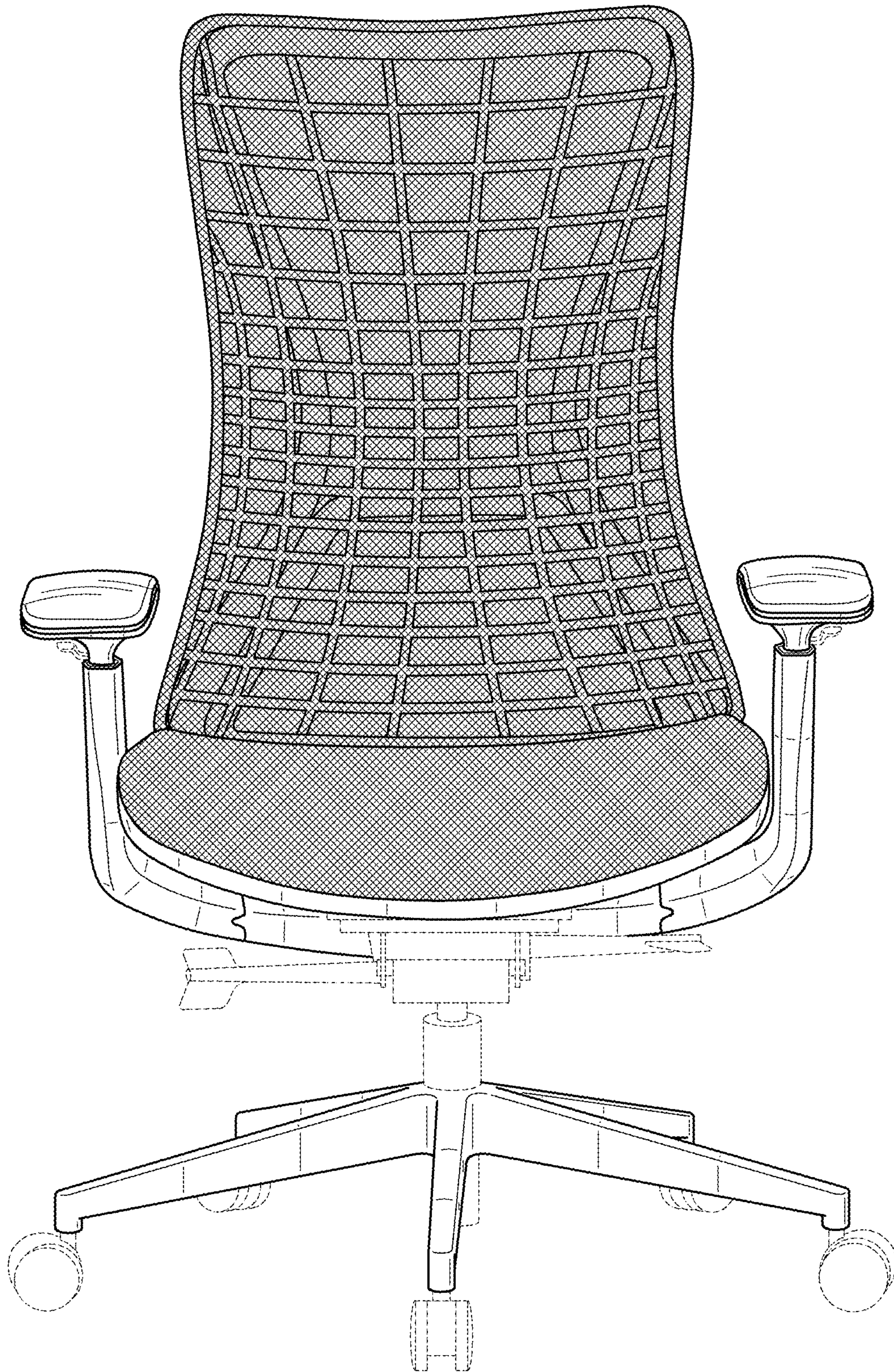


FIG. 2



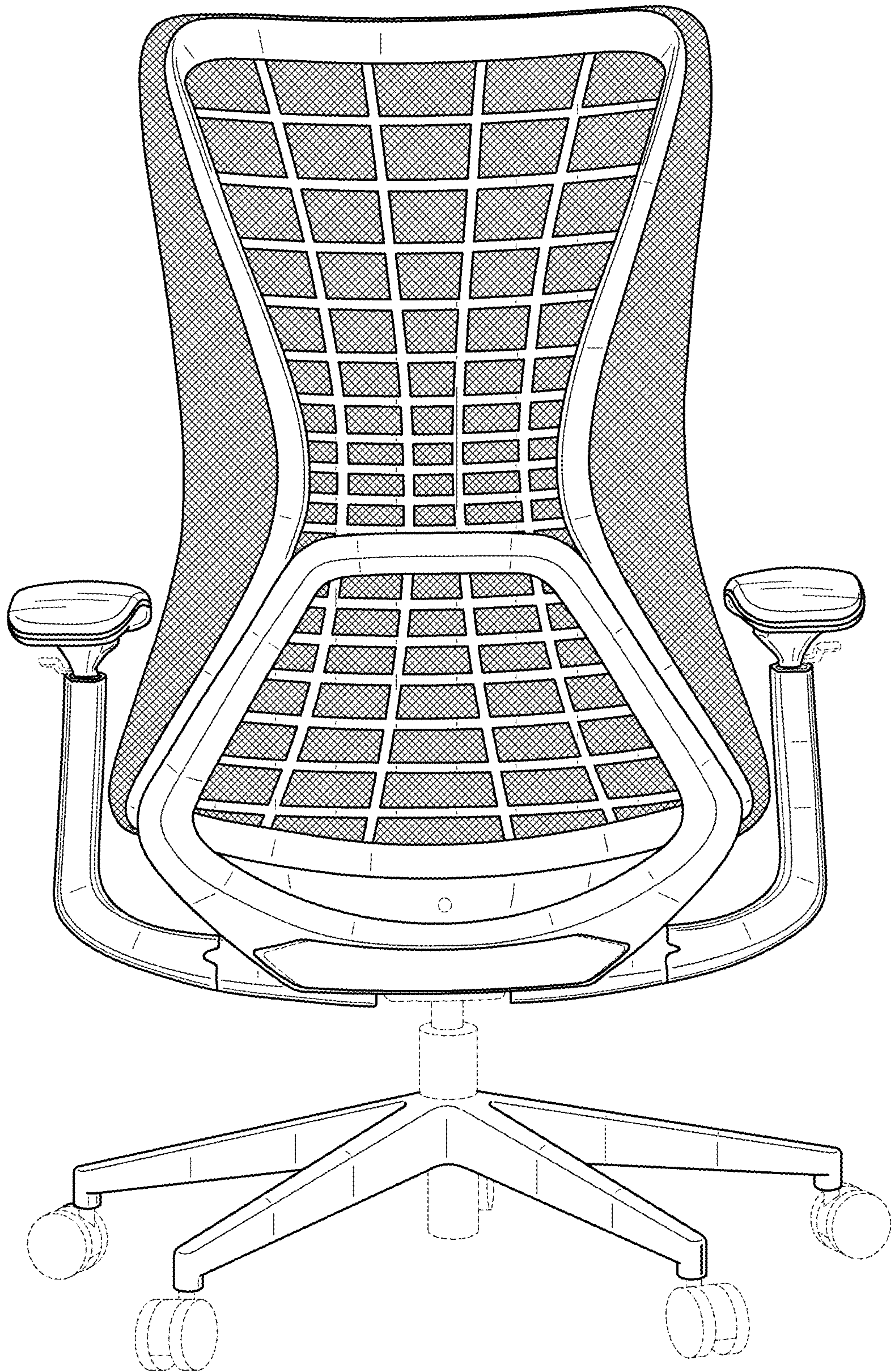


FIG. 3



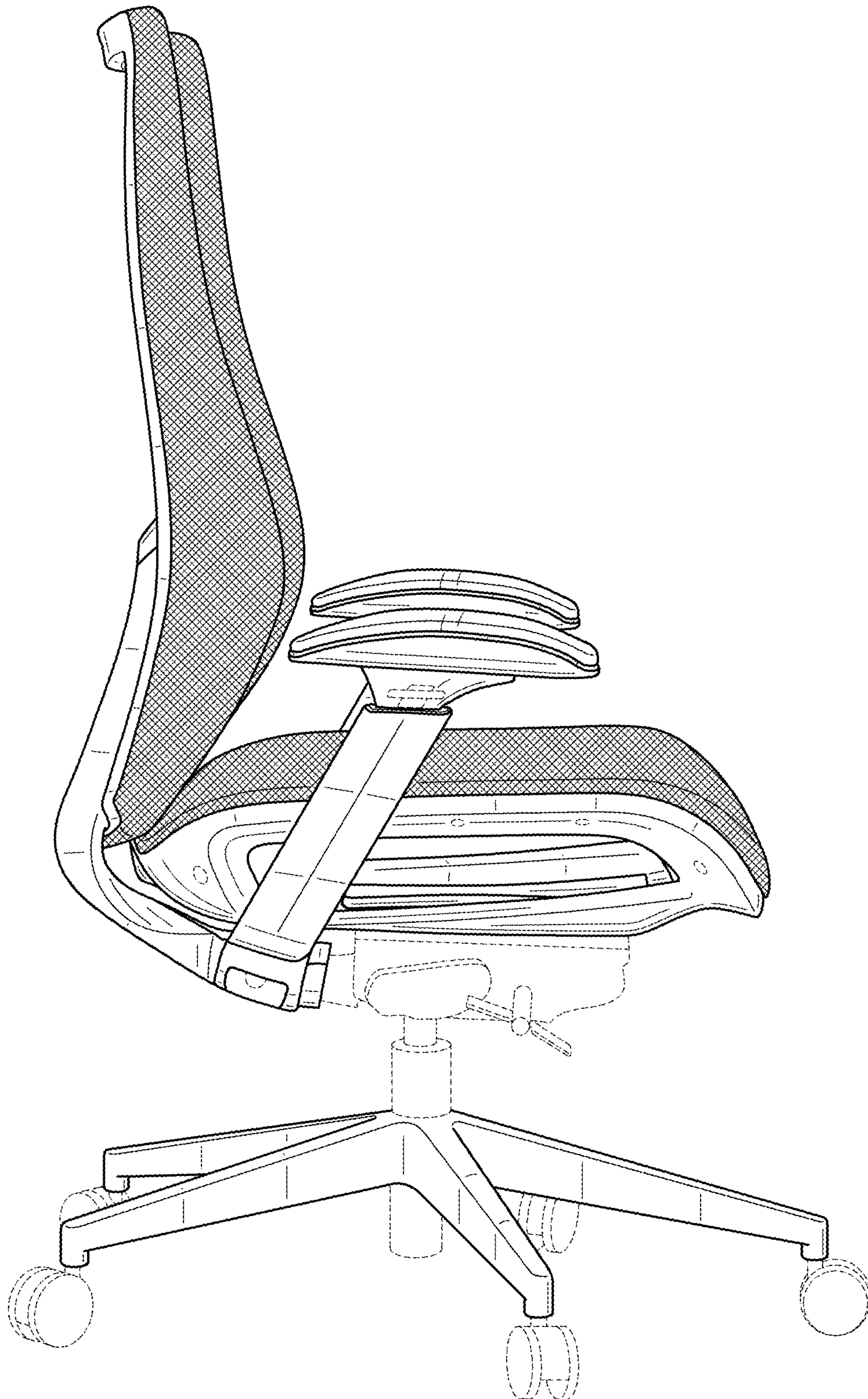


FIG. 4

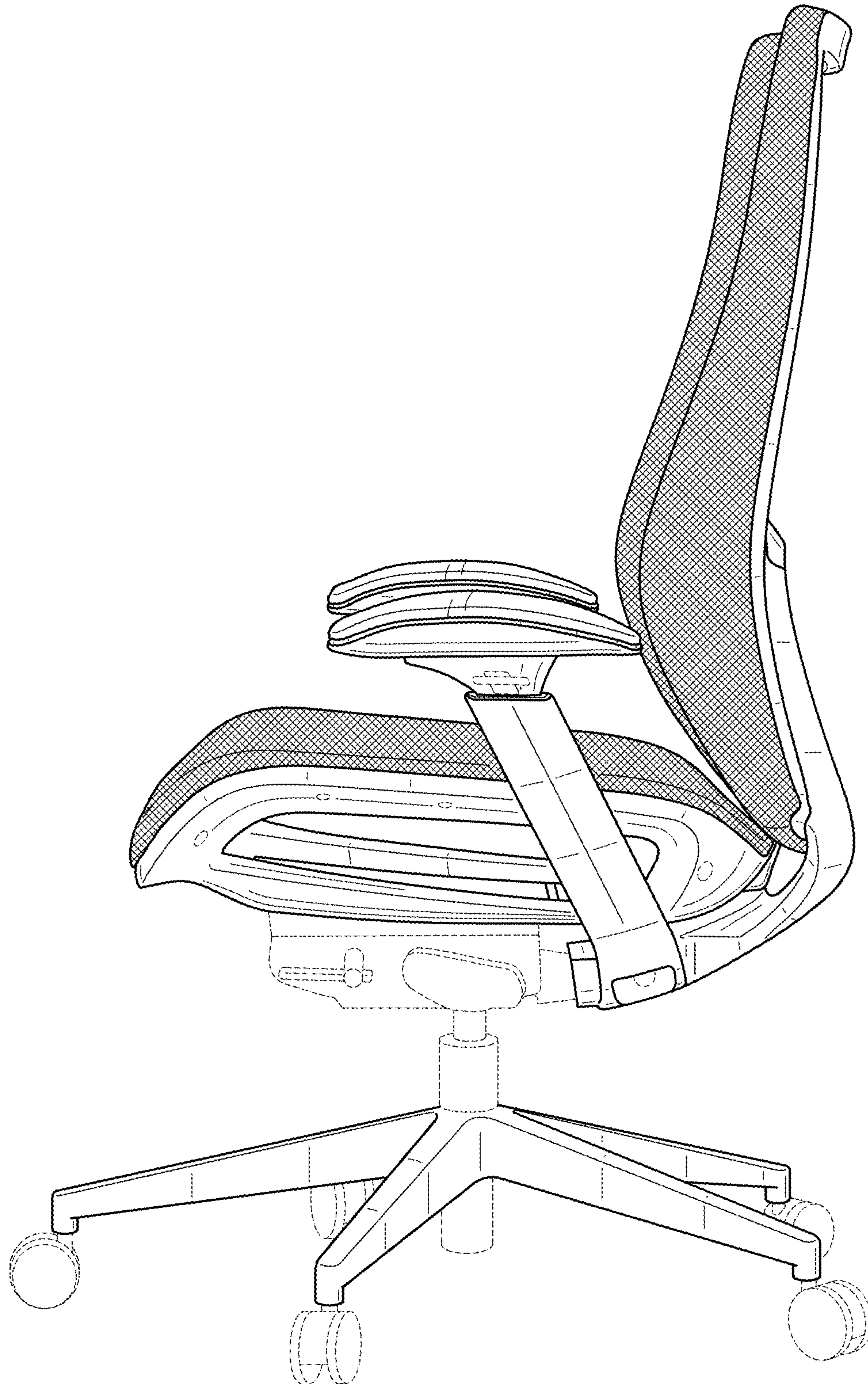


FIG. 5



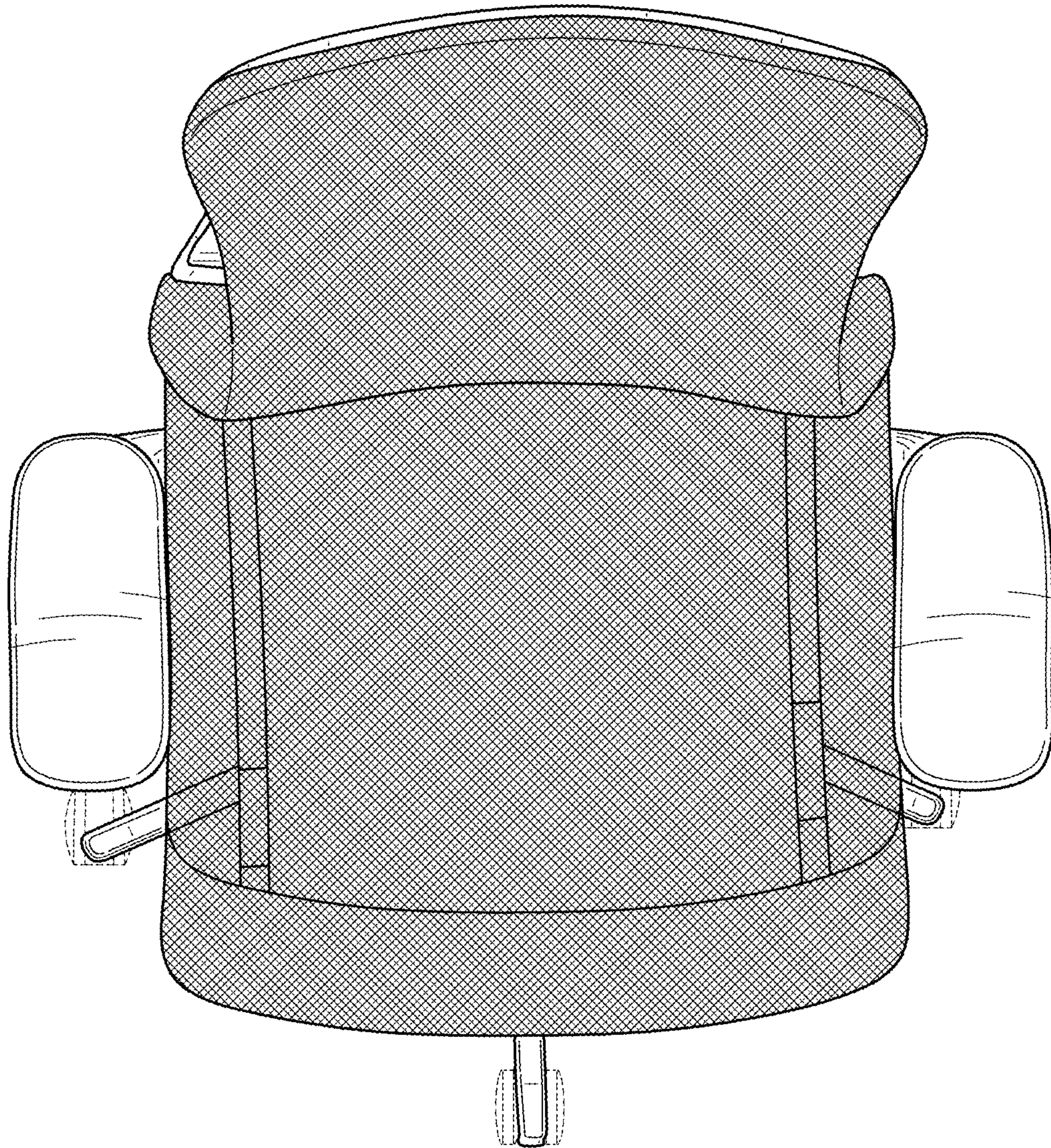


FIG. 6