



US00D879490S

(12) **United States Design Patent**
Hurford

(10) **Patent No.:** **US D879,490 S**
(45) **Date of Patent:** **** Mar. 31, 2020**

- (54) **CHAIR**
- (71) Applicant: **Okamura Corporation**, Yokohama-shi, Kanagawa (JP)
- (72) Inventor: **Alexander Hurford**, Yokohama (JP)
- (73) Assignee: **Okamura Corporation**, Yokohama-shi, Kanagawa (JP)
- (**) Term: **15 Years**
- (21) Appl. No.: **29/644,405**
- (22) Filed: **Apr. 17, 2018**

D508,787 S *	8/2005	Natuzzi	D6/364
D531,420 S *	11/2006	Kita	D6/364
D600,033 S *	9/2009	Natuzzi	D6/364
D611,263 S *	3/2010	Werner	D6/366
D672,975 S *	12/2012	Rashid	D6/335
D677,918 S *	3/2013	Citterio	D6/366
D684,785 S *	6/2013	Hwangbo	D6/367
D698,162 S *	1/2014	Kita	D6/335
D701,719 S *	4/2014	Haase	D6/719
D704,465 S *	5/2014	Massaud	D6/364
D704,466 S *	5/2014	Massaud	D6/364
D704,488 S *	5/2014	Massaud	D6/716
D717,555 S *	11/2014	Massaud	D6/364
D763,589 S *	8/2016	Mion	D6/375
D799,844 S *	10/2017	Aamodt	D6/366
9,828,101 B2 *	11/2017	Shih	B64D 11/0646
D824,185 S *	7/2018	Wang	D6/367

(Continued)

(30) **Foreign Application Priority Data**

Dec. 11, 2017 (JP) 2017-027588

(51) **LOC (12) Cl.** **06-01**

(52) **U.S. Cl.**
USPC **D6/364**

(58) **Field of Classification Search**

USPC D6/356, 360, 364, 365, 335, 366, 367,
D6/375, 716, 719; D21/521, 533, 548
CPC A61H 2201/0149; B60N 2/06; B60N 2/20;
B60N 2/22; B60N 2/58; B60N 2/68;
B60N 2/80; B60N 2/643; B60N 2/888;
B60N 2/859; B60N 2/1615; B60N
2/7035; B60N 2/42745; B60N 2002/0272;
B60N 2205/35; B60N 2/0252; B60N
2/99; B64D 11/064; B64D 11/0646;
B64D 33/0021; B64D 33/00

See application file for complete search history.

(56) **References Cited**

U.S. PATENT DOCUMENTS

D138,511 S *	8/1944	Dreyfuss	297/445.1
D298,491 S *	11/1988	Haukvik	D6/365
D316,936 S *	5/1991	Ekornes	D6/365

Primary Examiner — Kevin K Rudzinski

Assistant Examiner — Paul D Bohannon

(74) *Attorney, Agent, or Firm* — Banner & Witcoff, Ltd.

(57) **CLAIM**

The ornamental design for a chair, as shown and described.

DESCRIPTION

FIG. 1 is a front perspective view of a chair showing my new design;

FIG. 2 is a rear perspective view thereof;

FIG. 3 is a front view thereof;

FIG. 4 is a rear view thereof;

FIG. 5 is a right side view thereof, the left side view being a mirror image thereof;

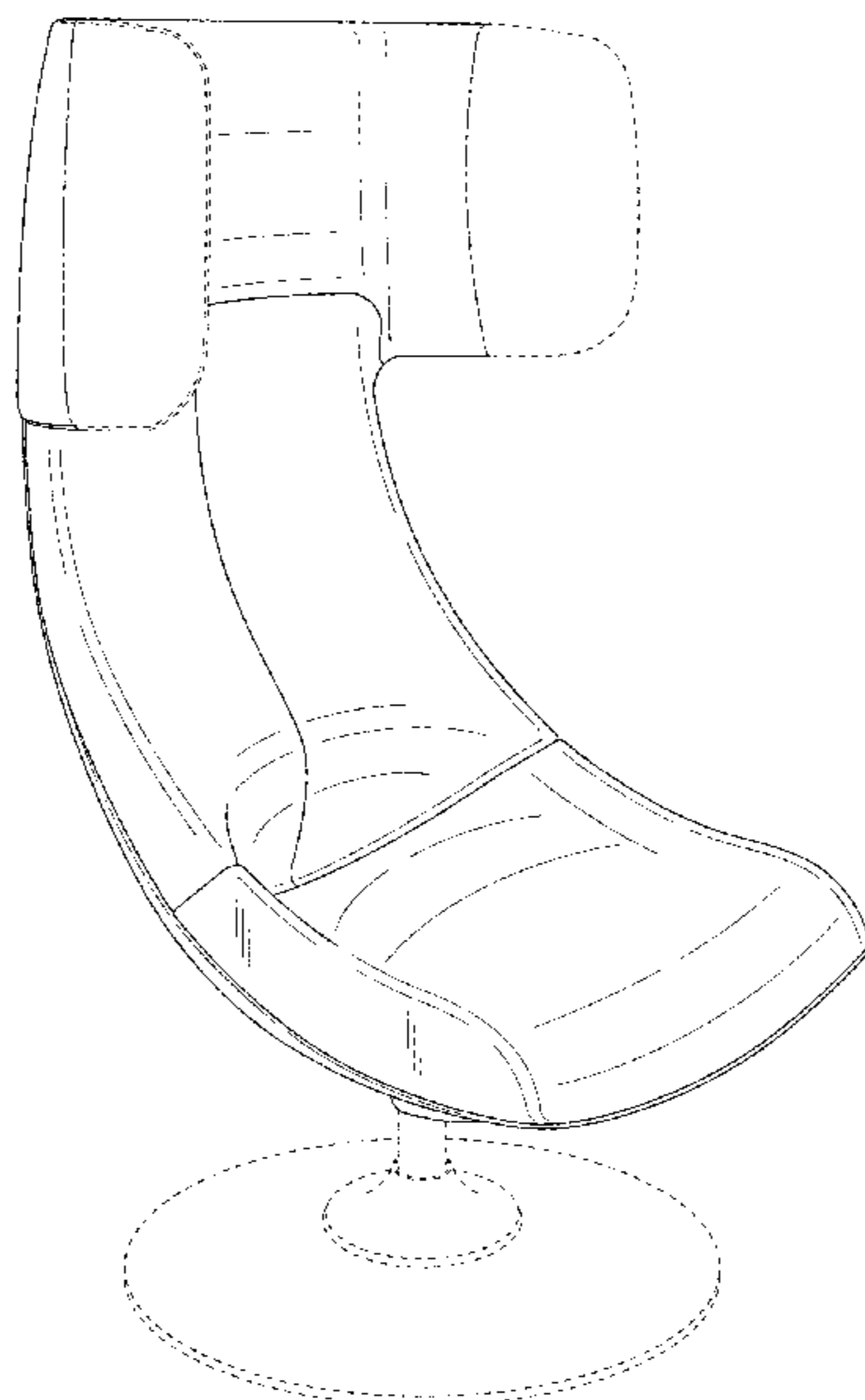
FIG. 6 is a top view thereof; and,

FIG. 7 is a bottom view thereof.

The broken lines shown in the drawings illustrate portions of the chair that form no part of the claimed design.

The dash-dot-dash lines shown in the drawings define the bounds of the claimed design and form no part of the claimed design.

1 Claim, 7 Drawing Sheets



(56)

References Cited

U.S. PATENT DOCUMENTS

D824,689	S	*	8/2018	Jongerius	D6/375
10,081,285	B2	*	9/2018	Kaneda	B60N 2/99
10,144,312	B2	*	12/2018	Akaike	B64D 11/0639
D839,622	S	*	2/2019	Oyama	D6/356
D848,162	S	*	5/2019	Yin	D6/335

* cited by examiner

Fig. 1

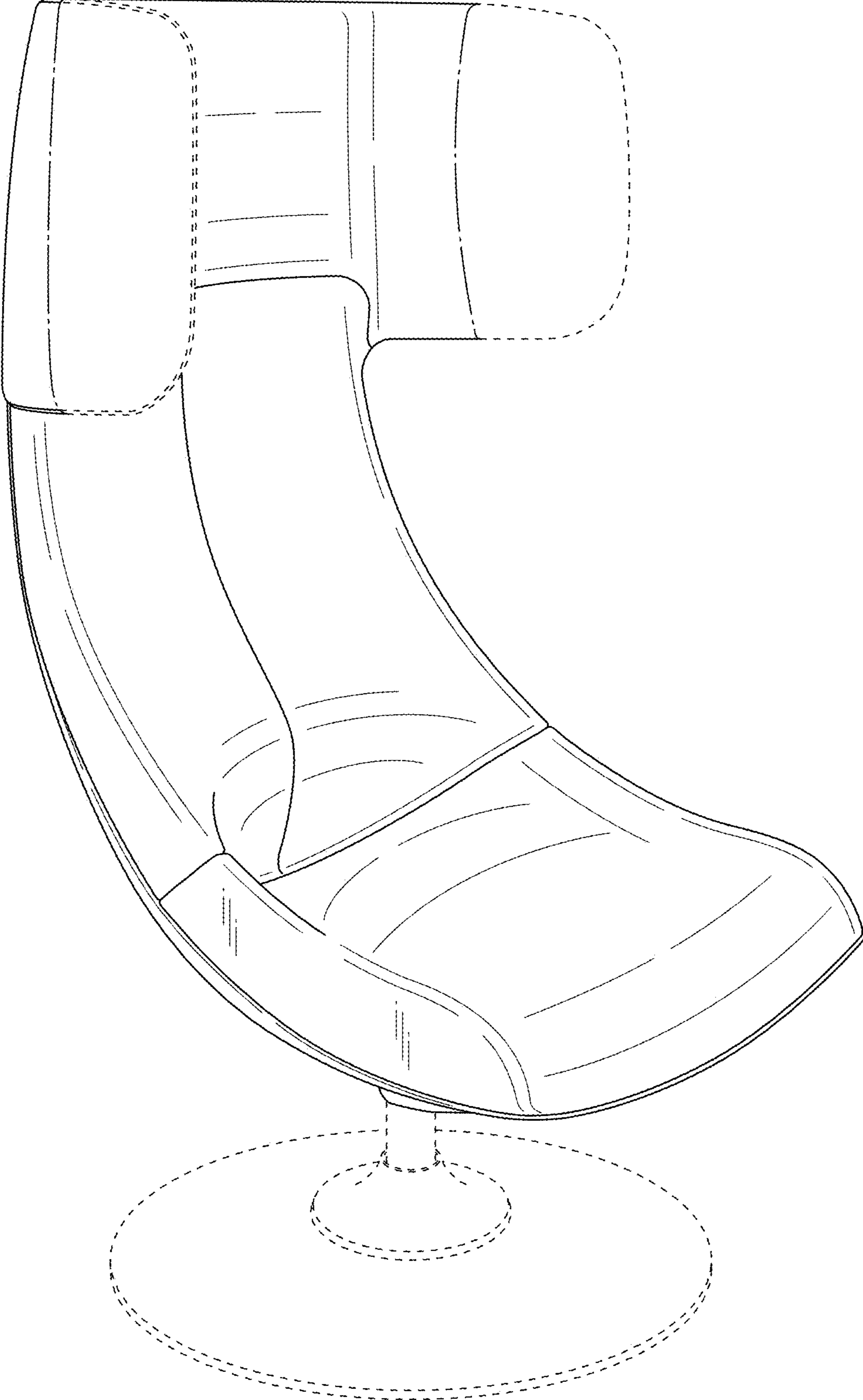


Fig. 2

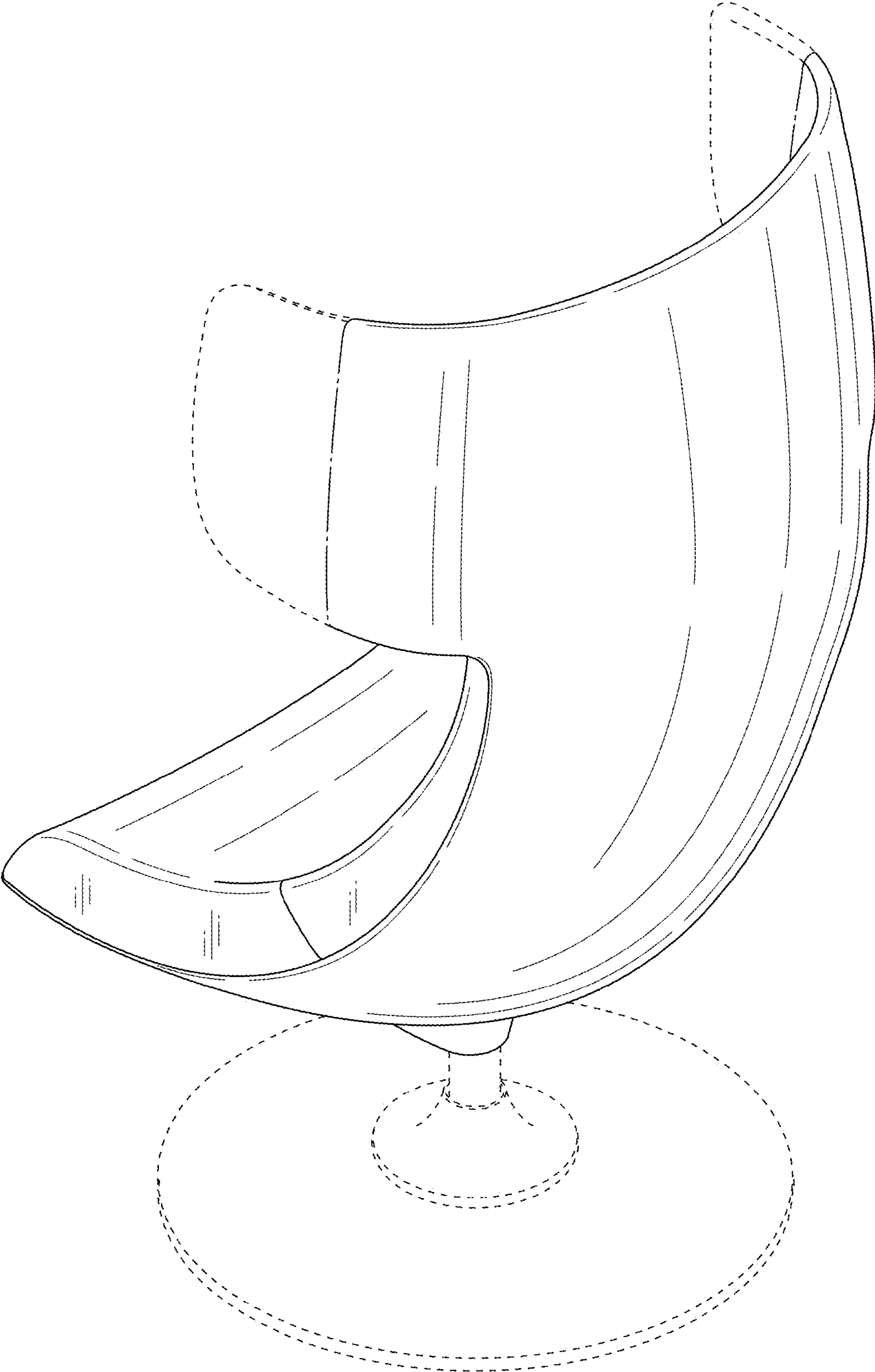


Fig. 3

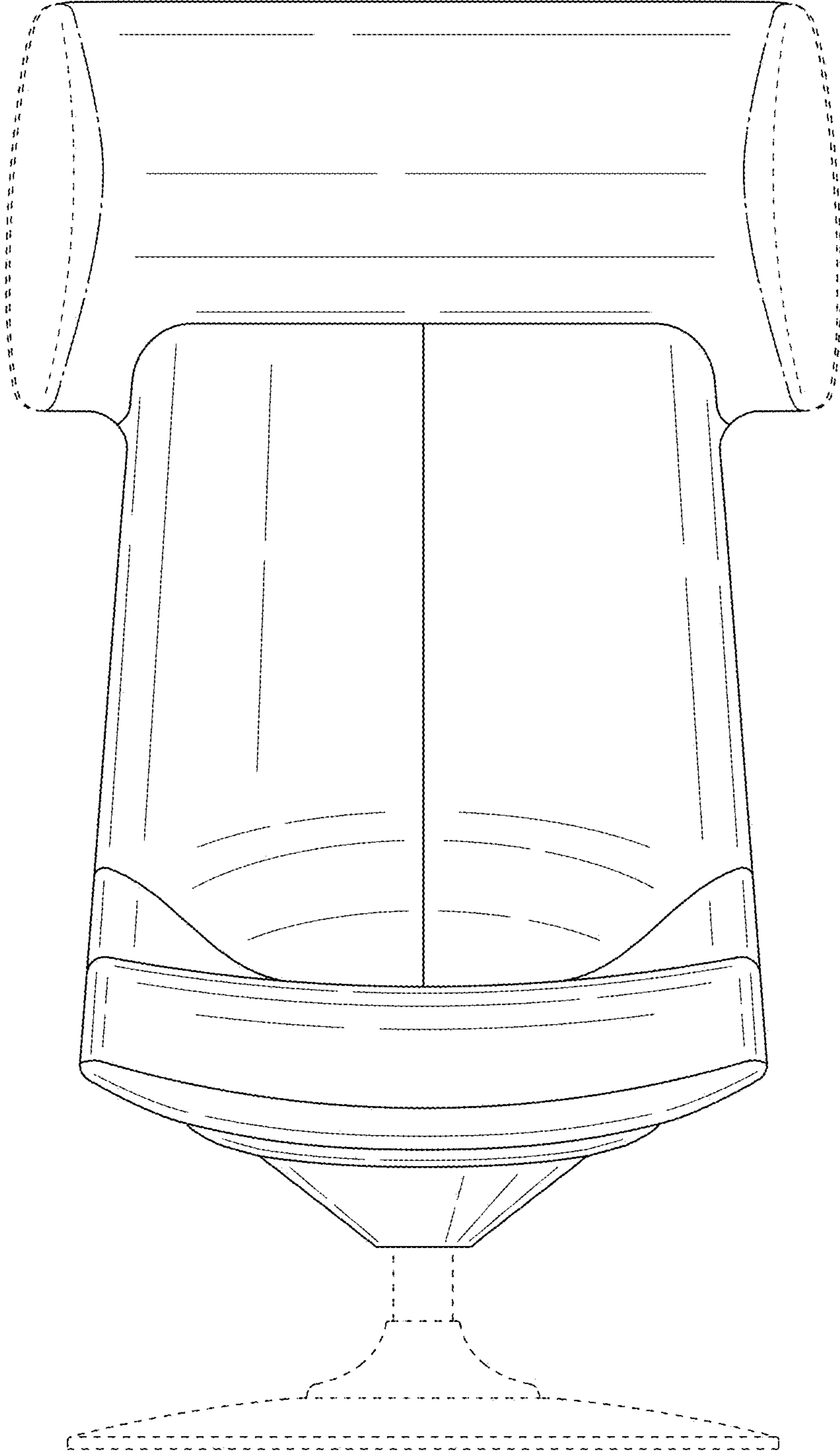


Fig. 4

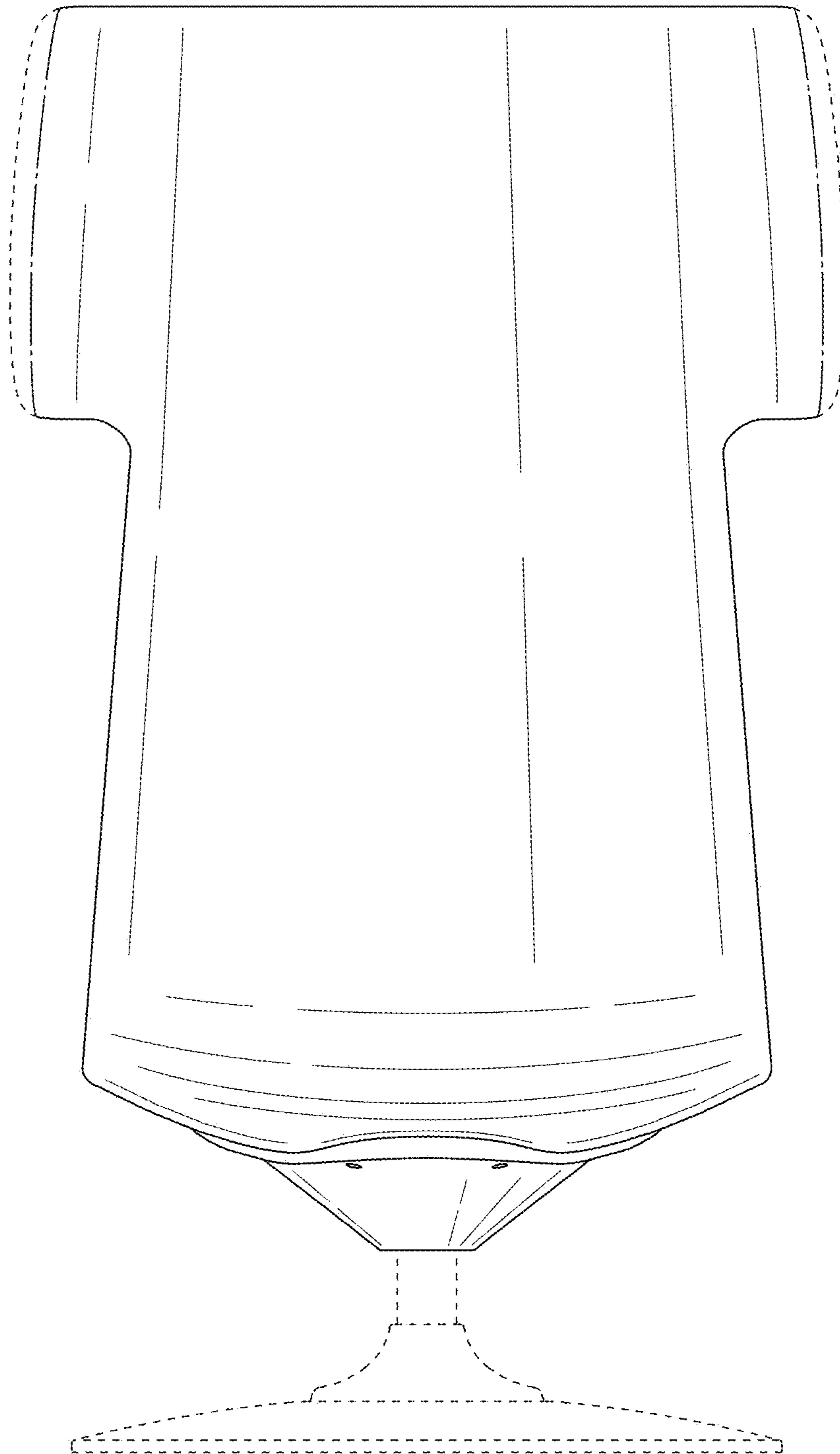


Fig. 5

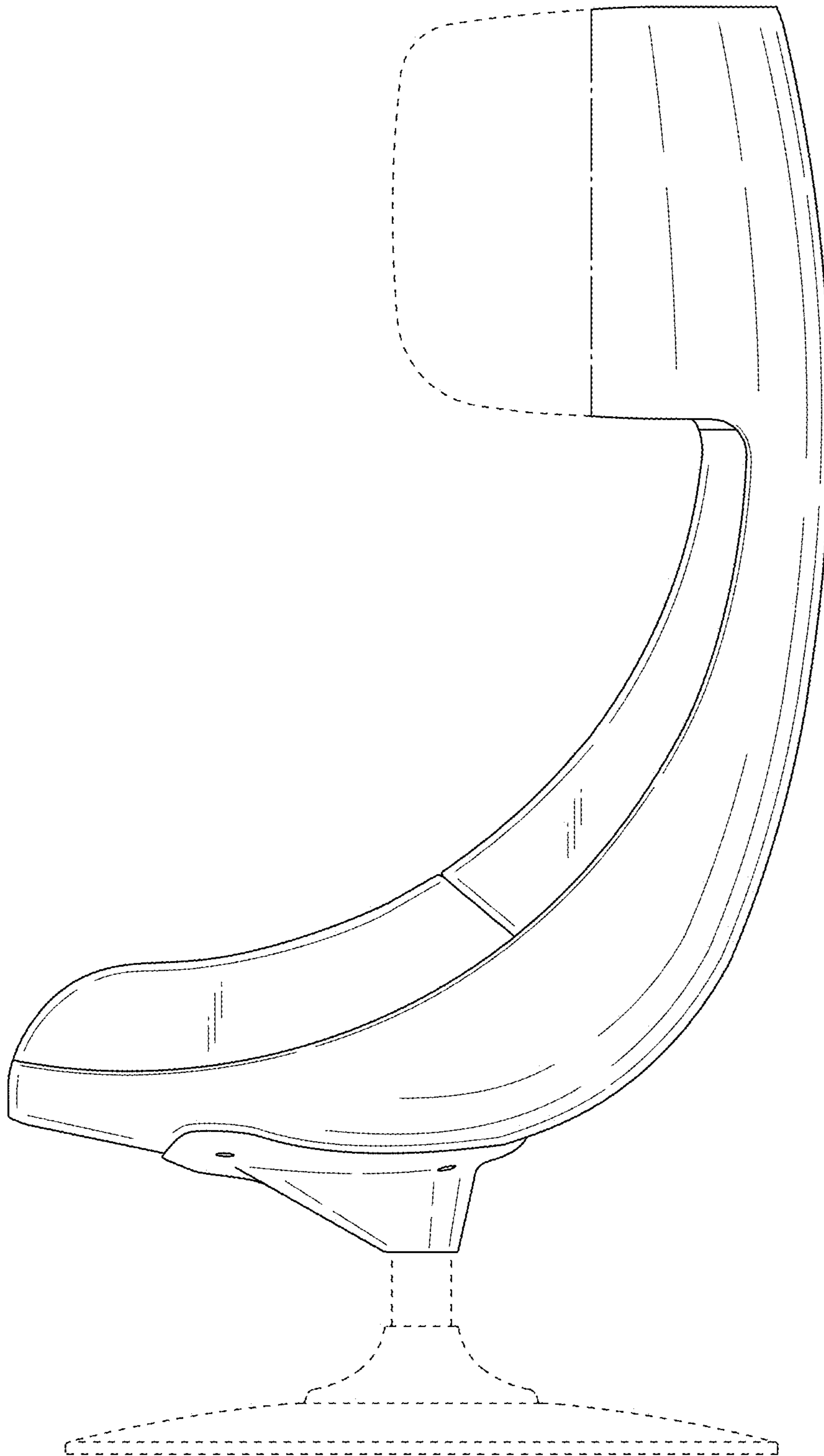


Fig. 6

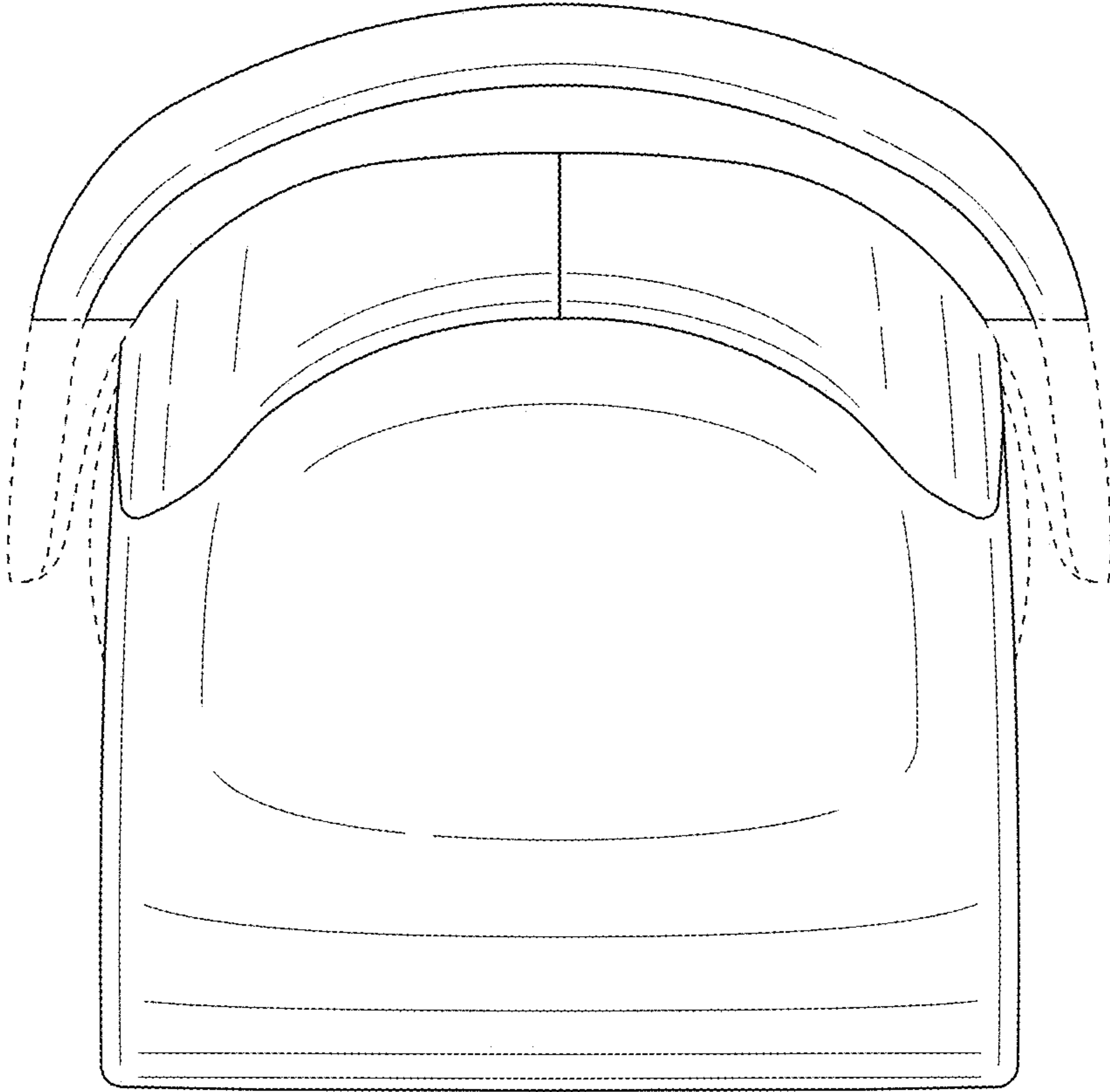


Fig. 7

