



US00D879489S

(12) **United States Design Patent** (10) **Patent No.:** **US D879,489 S**
De Vienne (45) **Date of Patent:** **** Mar. 31, 2020**

- (54) **SEAT FOR A VEHICLE**
- (71) Applicant: **Jaguar Land Rover Limited**, Whitley, Coventry (GB)
- (72) Inventor: **Laetitia De Vienne**, Coventry (GB)
- (73) Assignee: **Jaguar Land Rover Limited**, Whitley, Coventry (GB)
- (**) Term: **15 Years**
- (21) Appl. No.: **29/710,436**
- (22) Filed: **Oct. 23, 2019**

Related U.S. Application Data

- (62) Division of application No. 29/637,703, filed on Feb. 21, 2018, now Pat. No. Des. 867,774.

Foreign Application Priority Data

- Aug. 31, 2017 (EM) 004174738
- (51) **LOC (12) Cl.** **06-01**
- (52) **U.S. Cl.**
USPC **D6/356**

Field of Classification Search

USPC D6/334, 356, 360, 369, 370, 374, 376, D6/716, 716.1, 716.2, 716.3, 716.4, D6/716.5, 716.7; D21/521, 533, 548
 CPC A61H 2201/0149; B60N 2/06; B60N 2/20; B60N 2/22; B60N 2/58; B60N 2/68; B60N 2/80; B60N 2/643; B60N 2/888; B60N 2/859; B60N 2/1615; B60N 2/7035; B60N 2/42745; B60N 2002/0272; B60N 2205/35; B60N 2/44; B60N 2/56; B60N 2/206; B60N 2/366; B60N 2/933; B60N 2/222; B60N 2/2245

See application file for complete search history.

(56) **References Cited**

U.S. PATENT DOCUMENTS

D391,088 S *	2/1998	Sacco	D6/356
D576,811 S *	9/2008	Wyszogrod	D6/356
D578,315 S *	10/2008	Wyszogrod	D6/356
D639,575 S *	6/2011	Freeman	D6/356
D650,188 S *	12/2011	Nakaminami	D6/356
9,616,779 B2 *	4/2017	Barzen	B60N 2/2222
D837,547 S *	1/2019	Perry	D6/356
D841,348 S *	2/2019	Hodder	D6/356
D841,352 S *	2/2019	Bekas	D6/356
D846,901 S *	4/2019	Jelec	D6/356
D849,432 S *	5/2019	Perry	D6/356
D855,340 S *	8/2019	Buffery	D6/356
D861,363 S *	10/2019	Bekas	D6/356
D862,099 S *	10/2019	Hodder	D6/356

* cited by examiner

Primary Examiner — Kevin K Rudzinski

Assistant Examiner — Paul D Bohannon

(74) *Attorney, Agent, or Firm* — Wood Herron & Evans LLP

(57) **CLAIM**

The ornamental design for a seat for a vehicle, as shown and described.

DESCRIPTION

FIG. 1 is a front right perspective view of a seat for a vehicle according to the present invention.

FIG. 2 is a front left perspective view of the seat shown in FIG. 1.

FIG. 3 is a rear left perspective view thereof.

FIG. 4 is a rear right perspective view thereof.

FIG. 5 is a front view thereof.

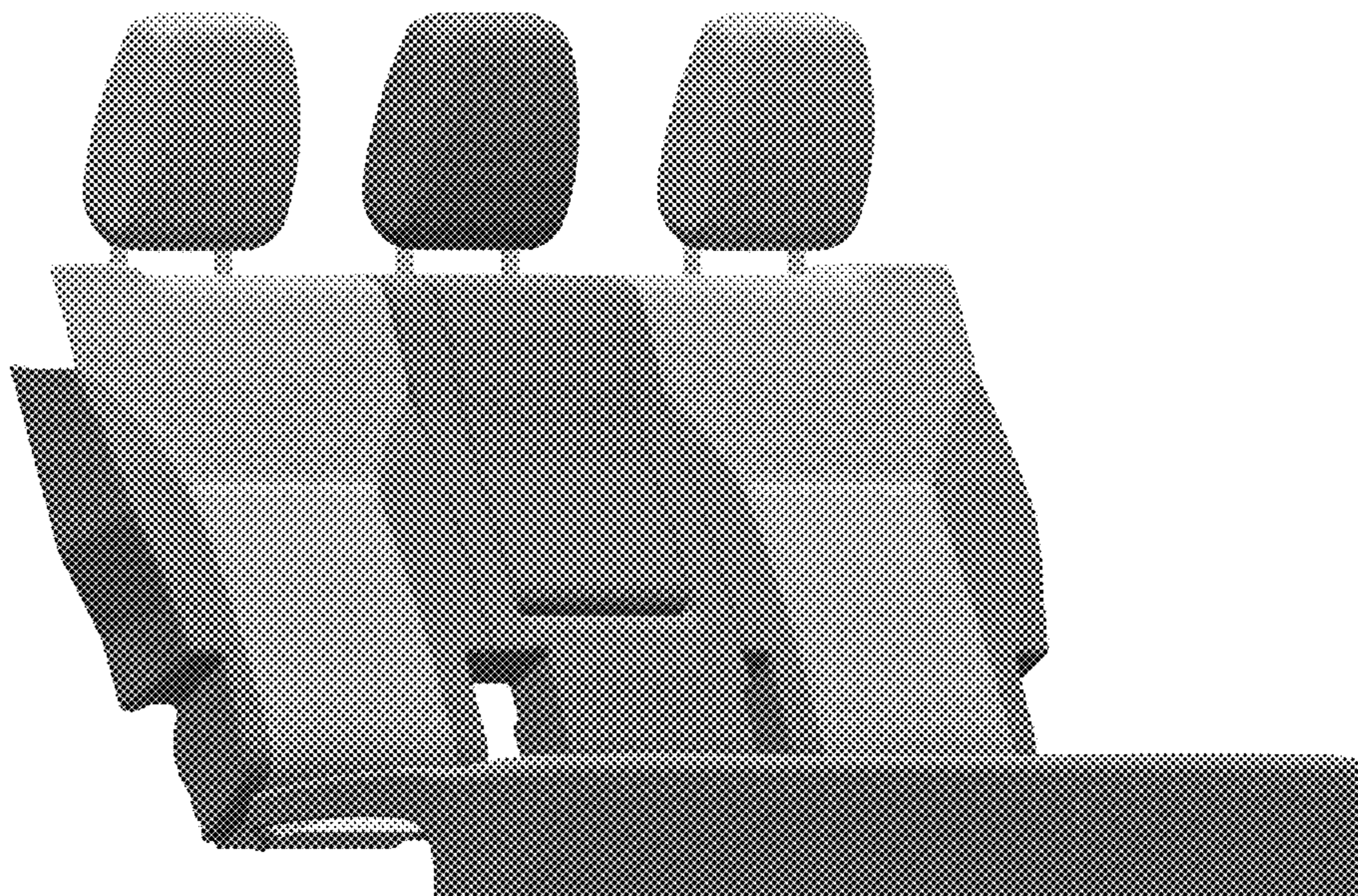
FIG. 6 is a rear view thereof.

FIG. 7 is a left side view thereof.

FIG. 8 is a right side view thereof; and,

FIG. 9 is a top view thereof.

1 Claim, 8 Drawing Sheets



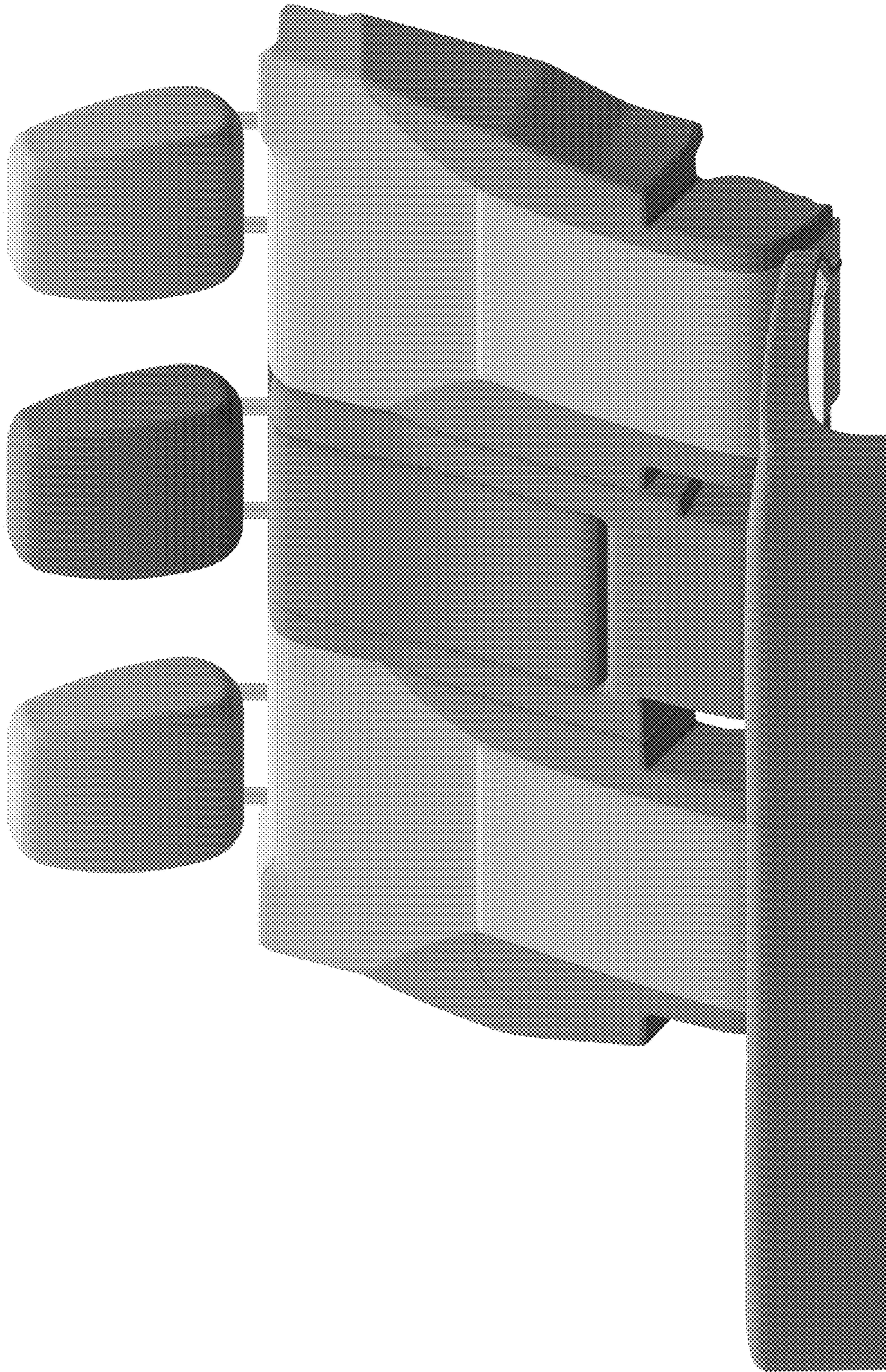


FIG. 1

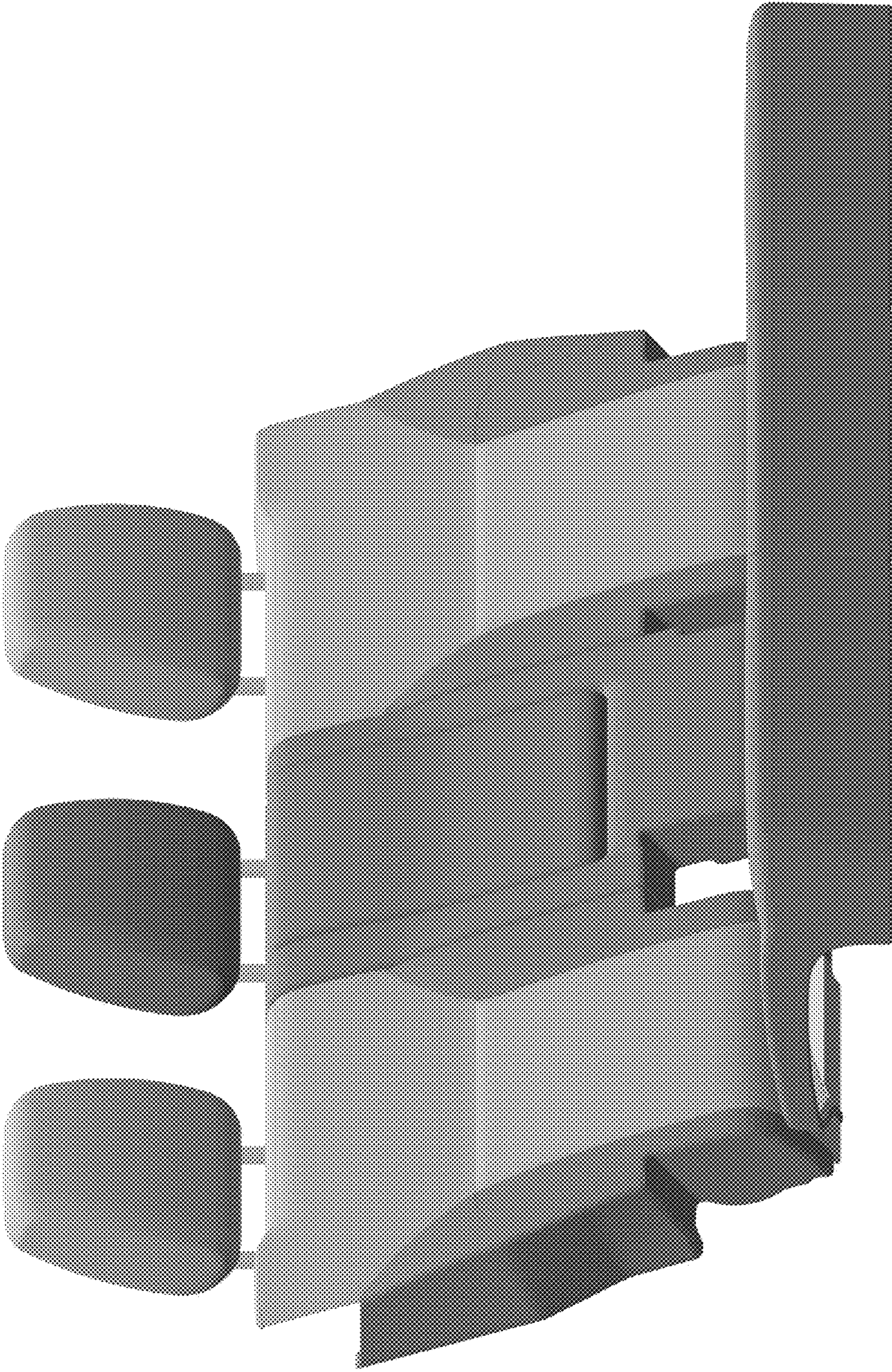


FIG. 2

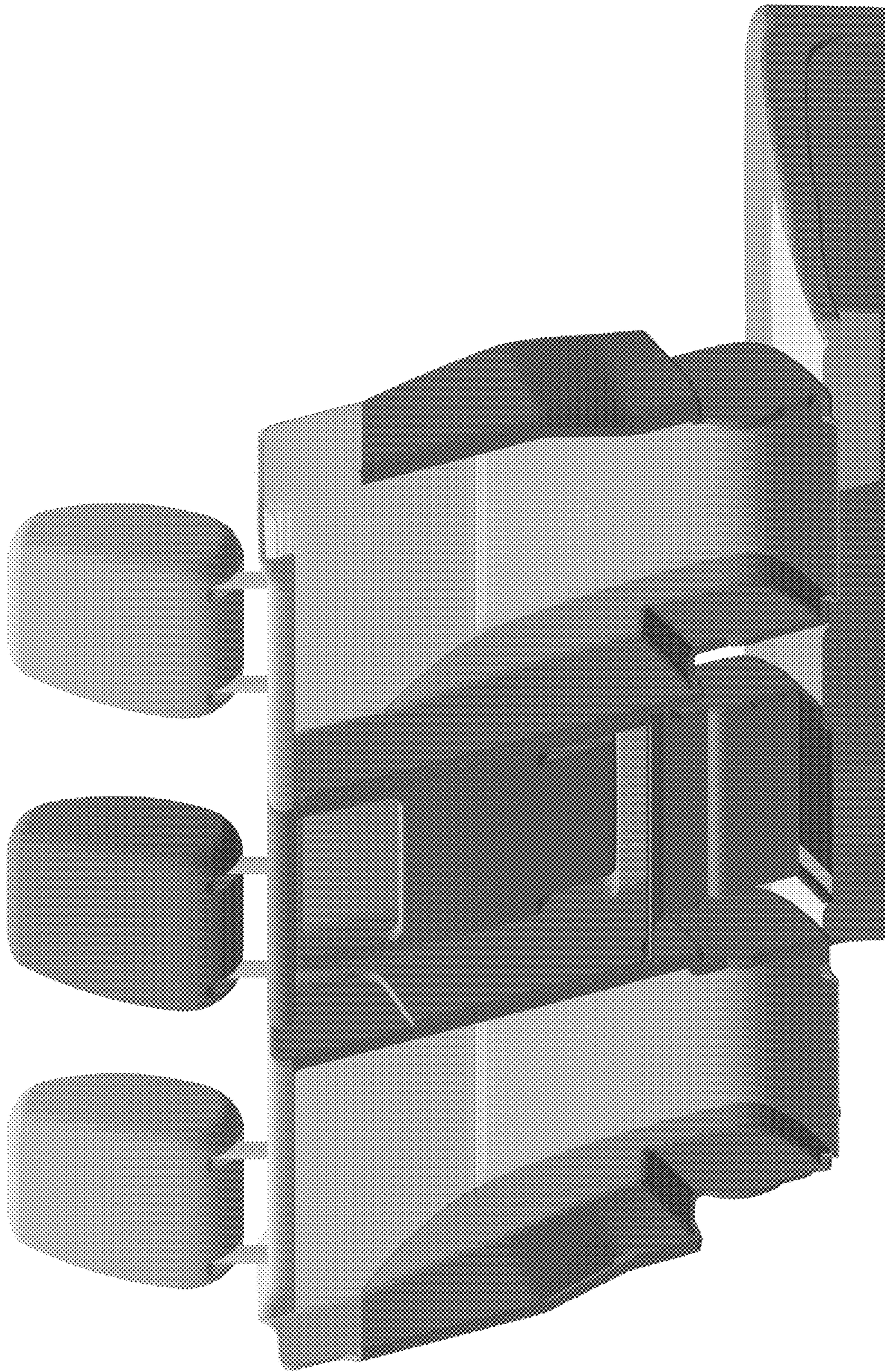


FIG. 3

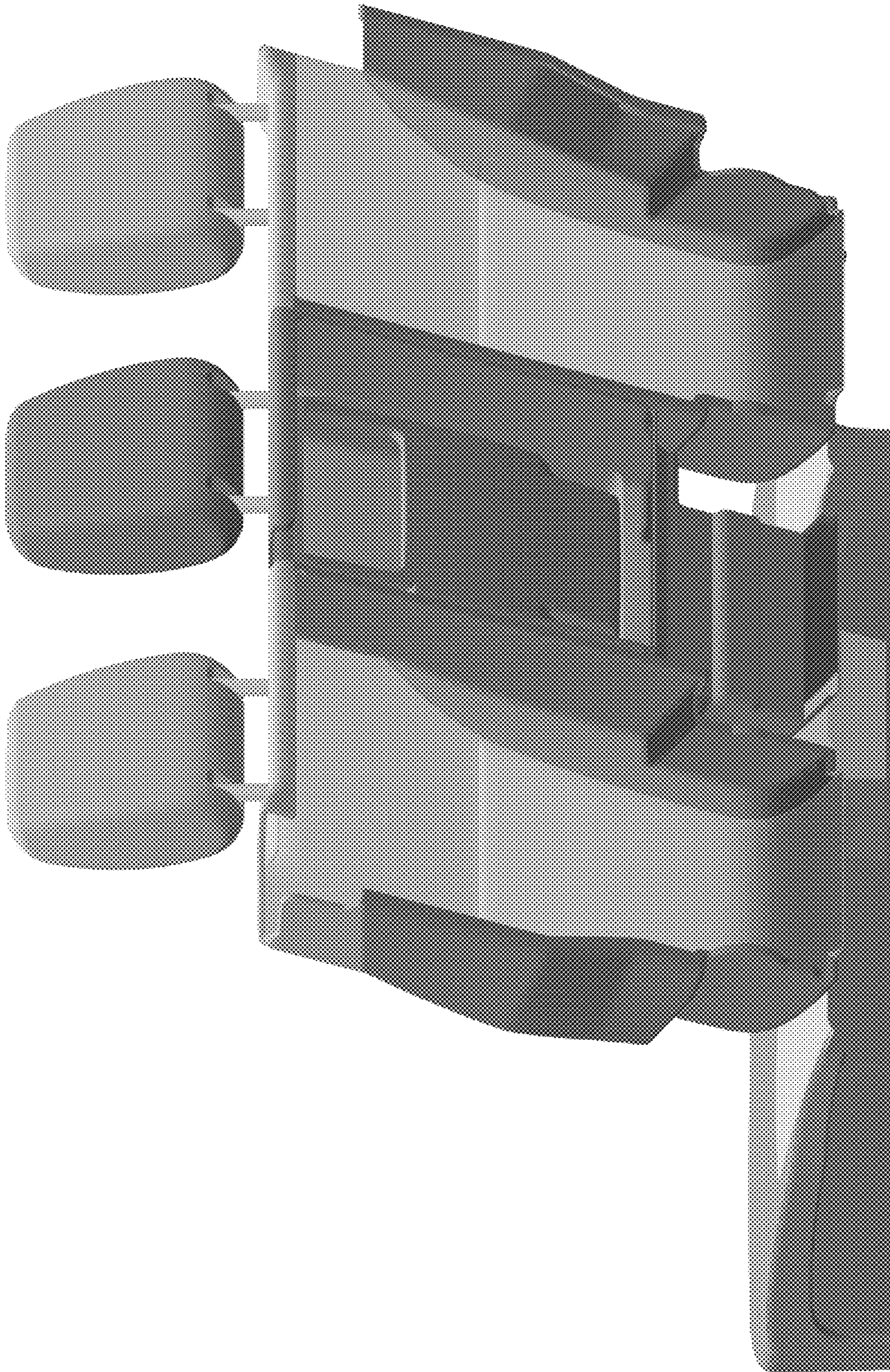


FIG. 4

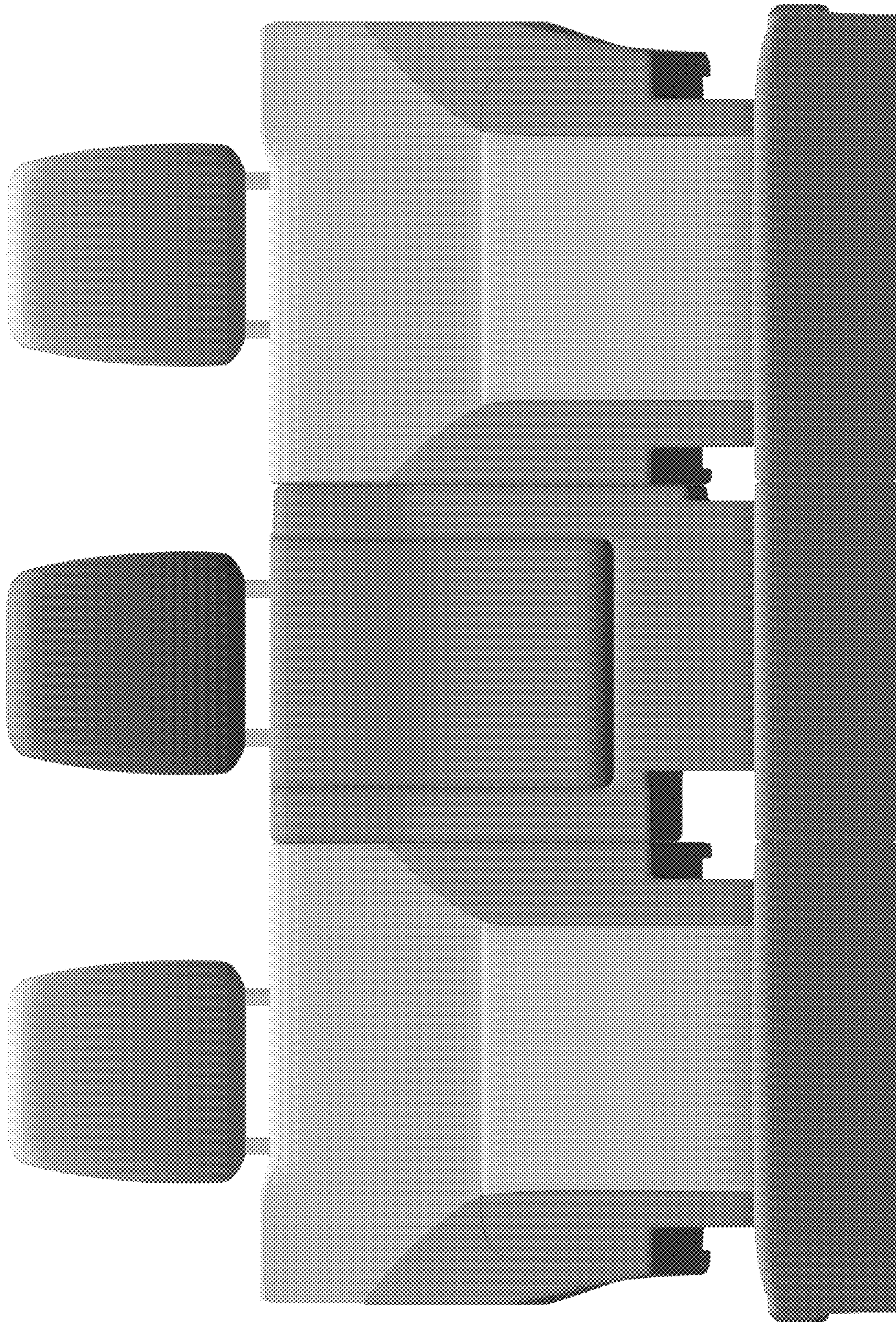


FIG. 5

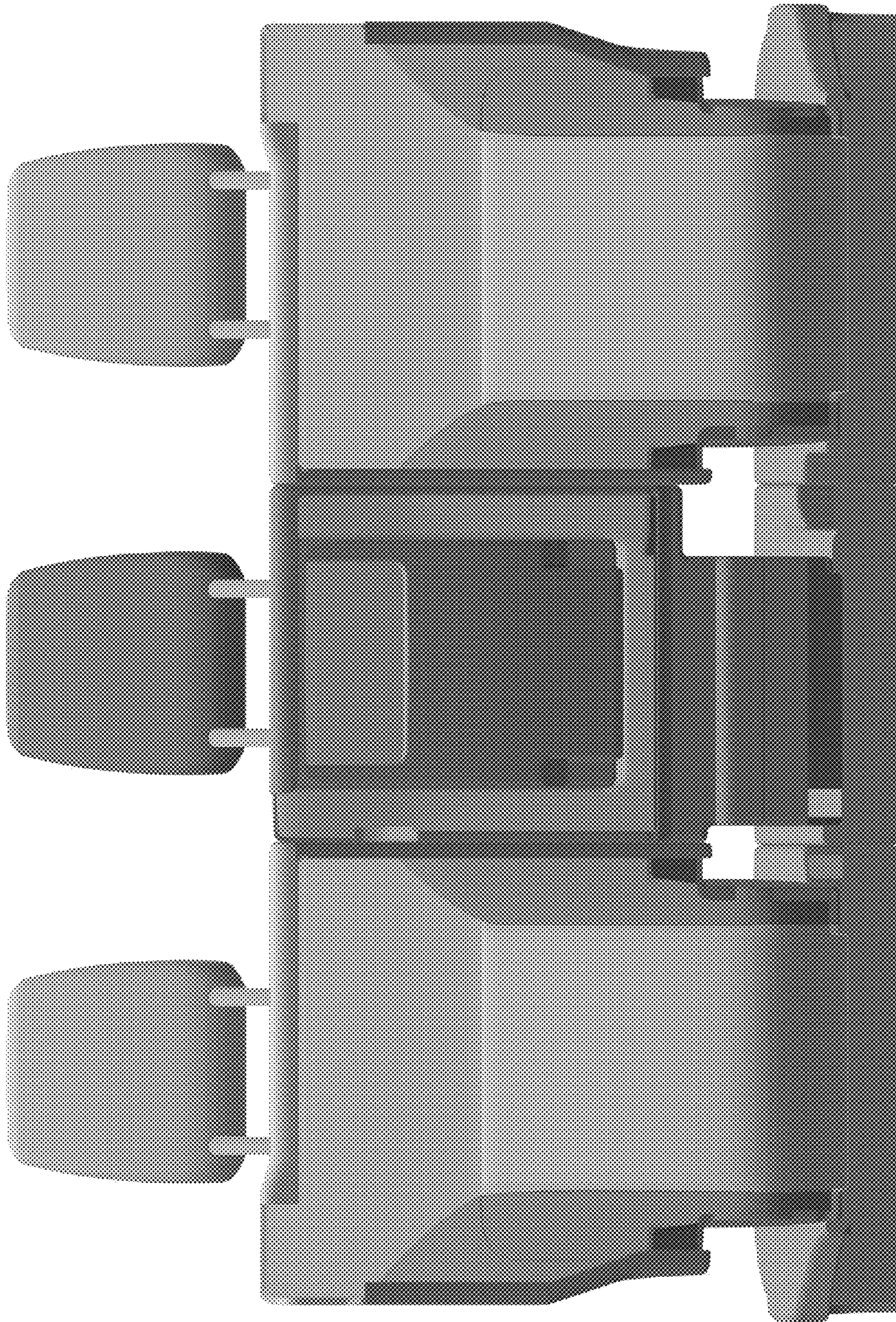


FIG. 6

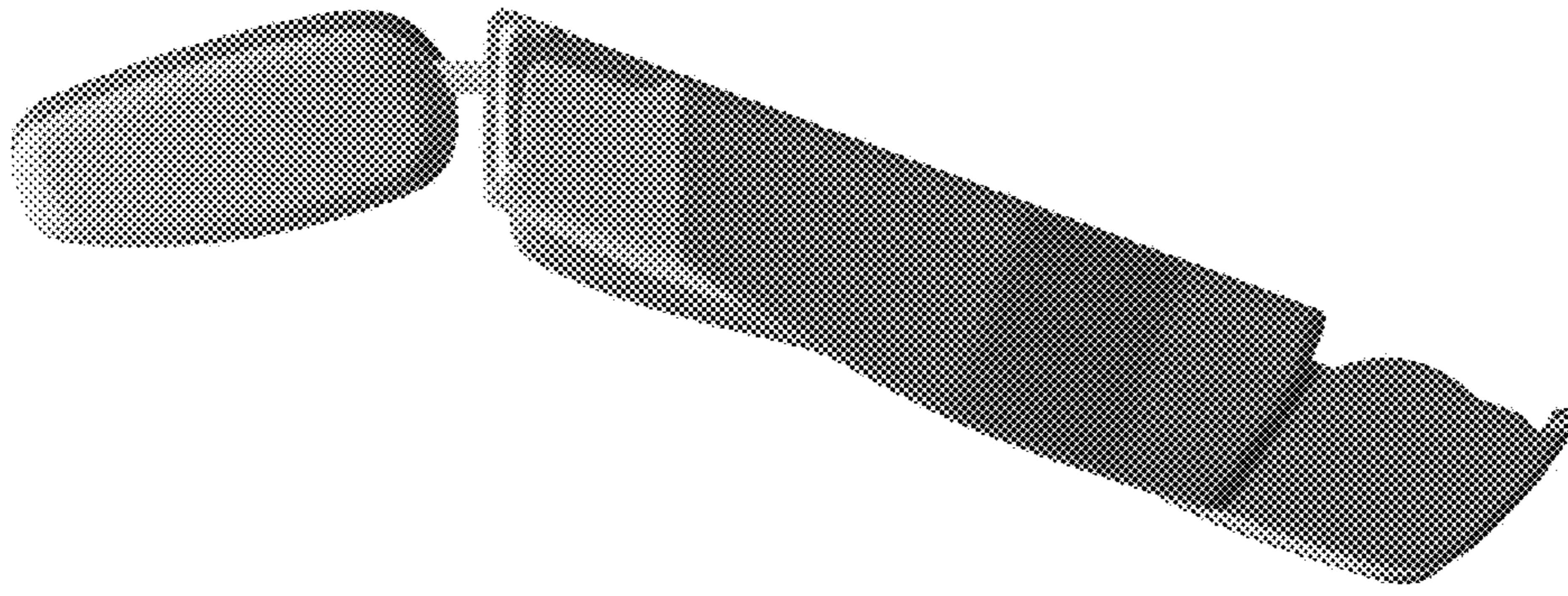


FIG. 8

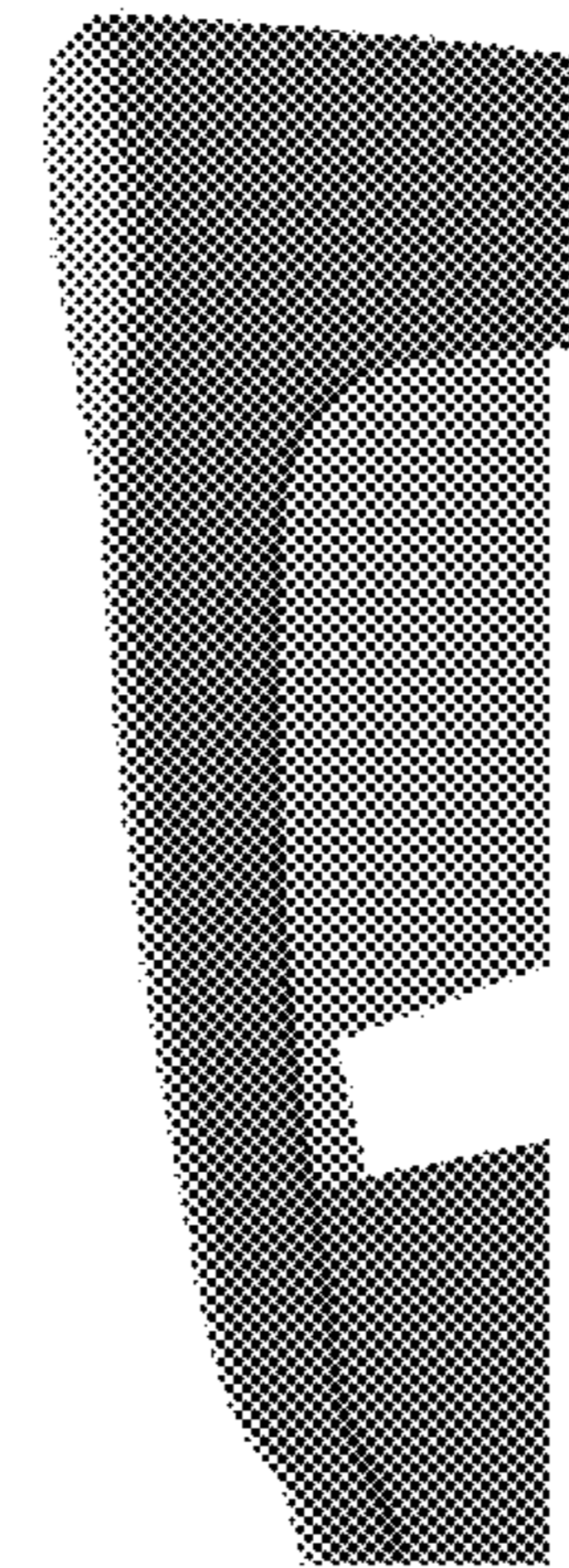
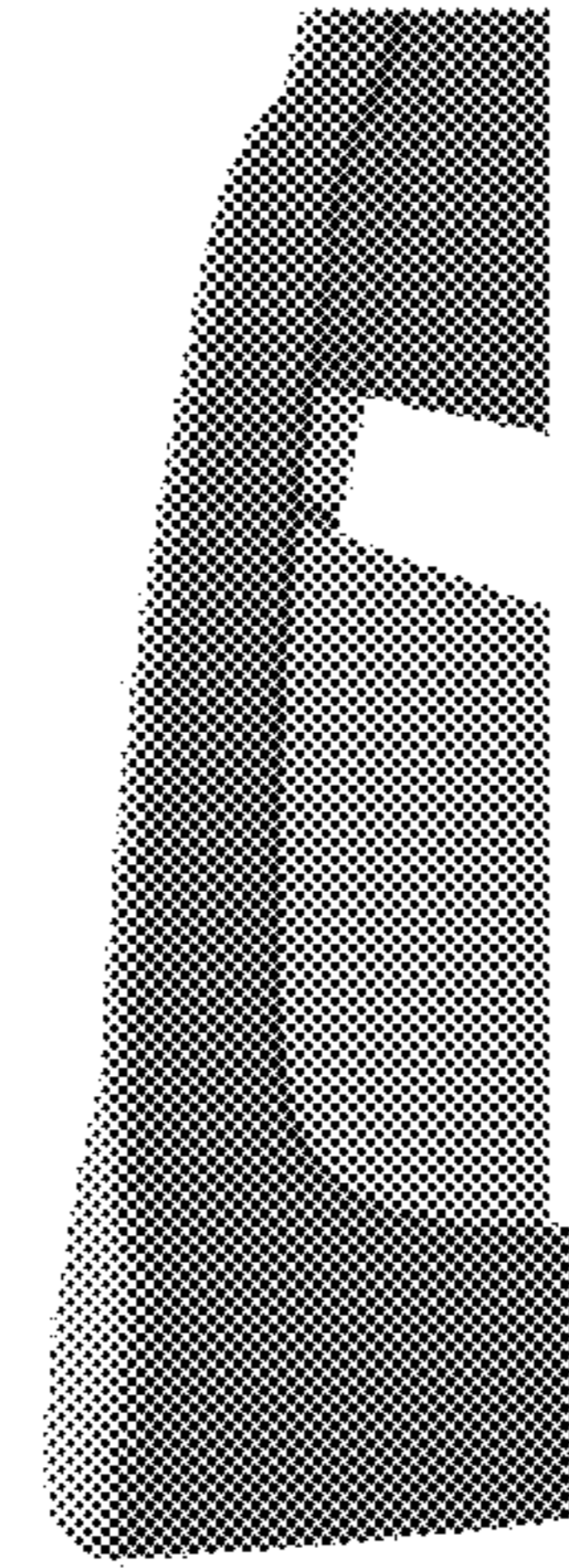
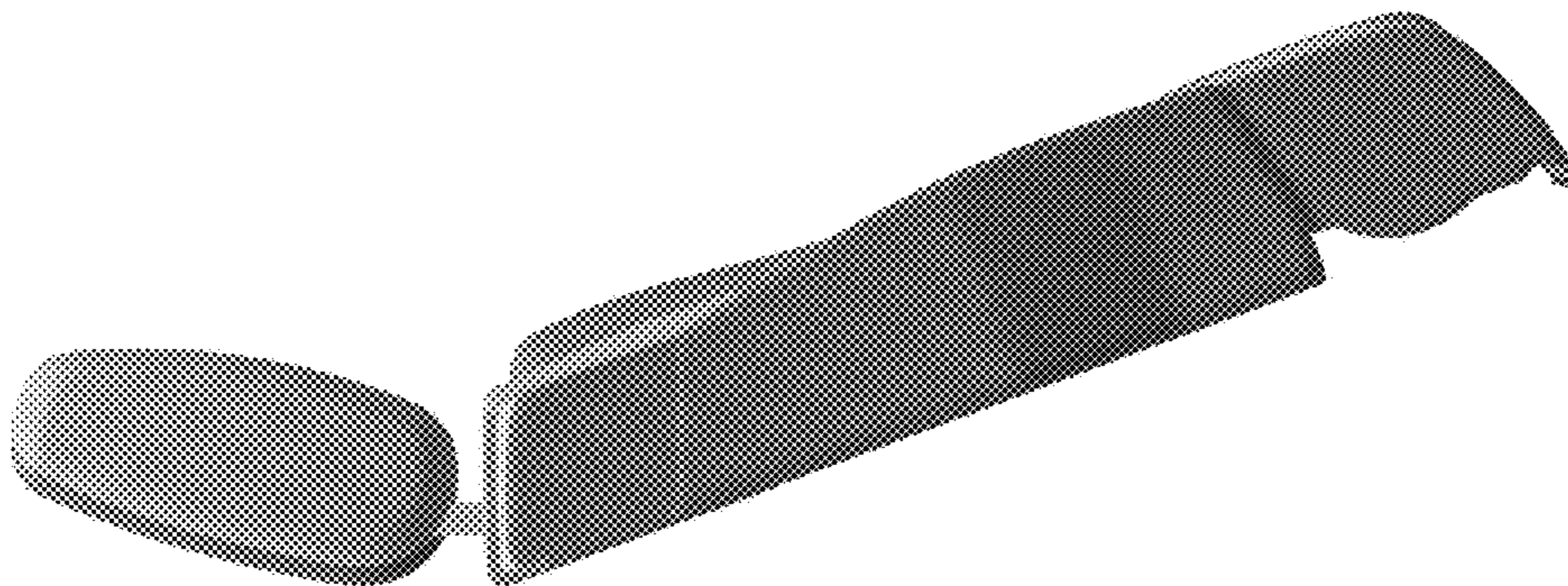


FIG. 7



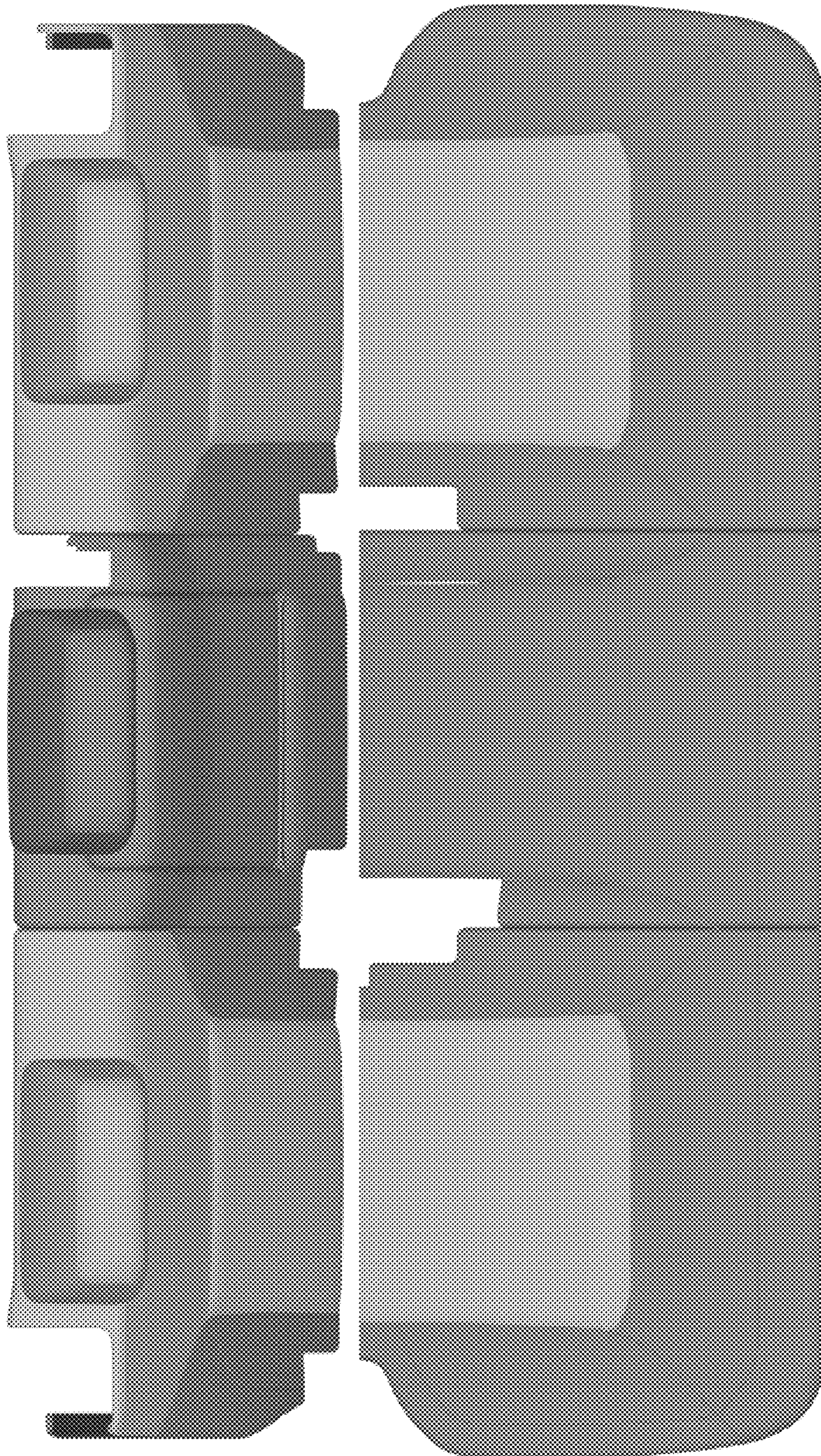


FIG. 9