



US00D879487S

(12) **United States Design Patent**
Castillo

(10) **Patent No.:** **US D879,487 S**

(45) **Date of Patent:** **** Mar. 31, 2020**

(54) **OVER THE TUB DOUBLE SIDED STEP STOOL**

(71) Applicant: **Odelia Castillo**, Orange, CA (US)

(72) Inventor: **Odelia Castillo**, Orange, CA (US)

(**) Term: **15 Years**

(21) Appl. No.: **29/632,952**

(22) Filed: **Jan. 11, 2018**

(51) **LOC (12) Cl.** **06-01**

(52) **U.S. Cl.**
USPC **D6/350; D25/65**

(58) **Field of Classification Search**
USPC D6/334-338, 340-343, 349-353, 355,
D6/365-365, 691-691.9, 692-692.6,
D6/716-716.1; D25/65
CPC A47B 7/00-02; A47C 11/00; A47C 12/00;
A47C 13/00; A47C 16/00; A47C
16/02-04; A47C 9/00-105; A47K 17/02;
A47K 17/028

See application file for complete search history.

(56) **References Cited**

U.S. PATENT DOCUMENTS

- D194,399 S * 1/1963 De Muth D25/63
- 5,094,505 A * 3/1992 Nichols A47C 12/02
182/33.3
- 5,415,460 A * 5/1995 Laney A47C 9/025
297/423.41
- 5,641,034 A * 6/1997 Calmeise A47C 12/00
182/17
- D429,038 S * 8/2000 Forester D30/119
- D482,458 S * 11/2003 Limber D25/65
- D744,764 S * 12/2015 Sakaguchi D6/353
- D760,852 S * 7/2016 Appleton D21/671

- D808,689 S * 1/2018 Rieger D6/667
- 2013/0192925 A1 * 8/2013 Chitayat A47C 12/00
182/152
- 2019/0099043 A1 * 4/2019 Castillo A47K 3/001

* cited by examiner

Primary Examiner — Vy N Koenig
(74) *Attorney, Agent, or Firm* — Pharar Patents & Intellectual Property; Andrew A. Pharar

(57) **CLAIM**

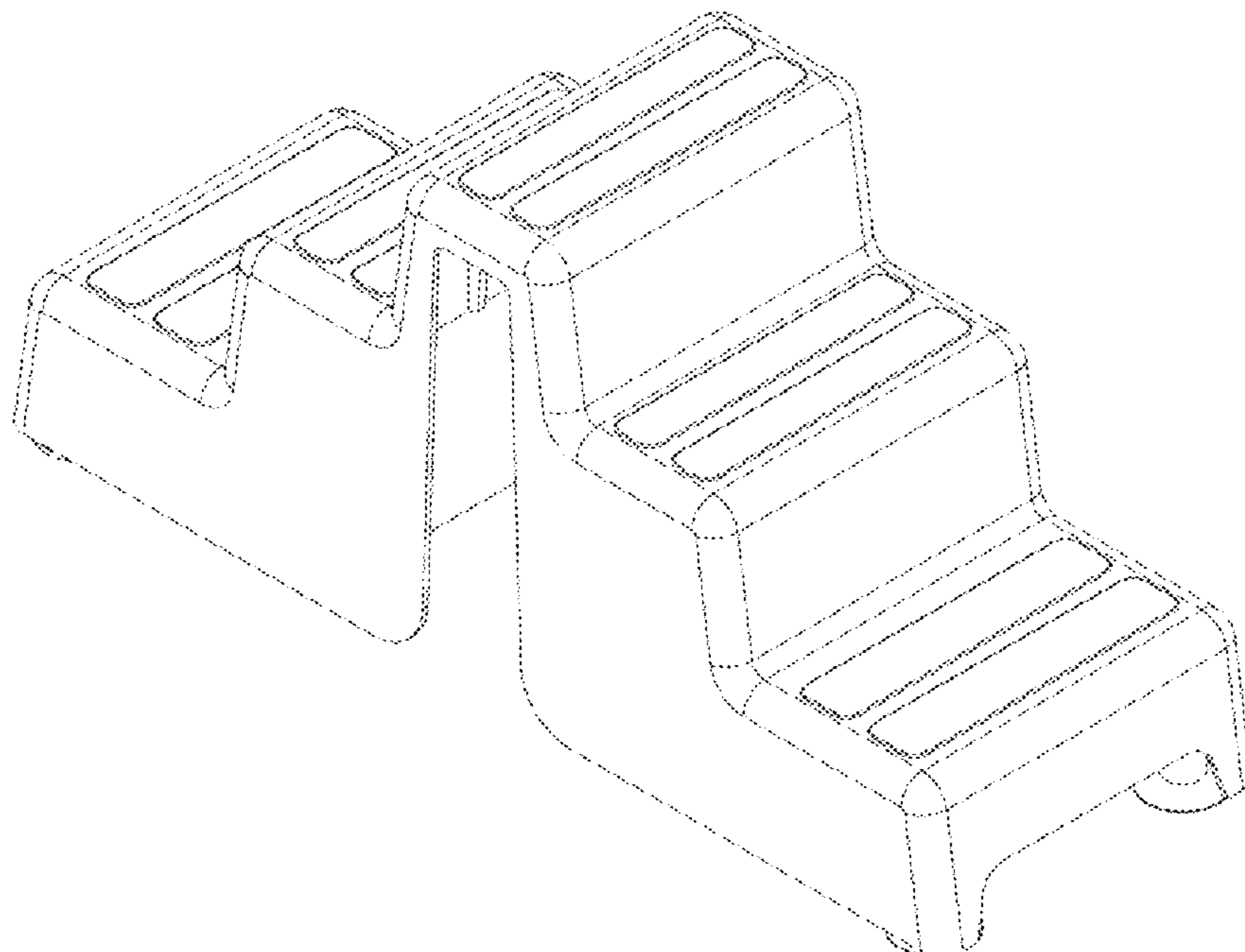
The ornamental design for an over the tub double sided step stool, as shown and described.

DESCRIPTION

FIG. 1 is a front three-quarters right perspective view of an over the tub double sided step stool showing my new design; FIG. 2 is a side elevation view thereof; FIG. 3 is a front elevation view thereof; FIG. 4 is a top plan view thereof; FIG. 5 is a bottom perspective view of an over the tub double sided step stool. FIG. 6 is a rear three-quarters left side perspective view thereof; FIG. 7 is a front three-quarters right perspective view thereof; FIG. 8 is a front three-quarters right exploded perspective view thereof; FIG. 9 is a bottom three-quarters right perspective view thereof; and, FIG. 10 is a bottom three-quarters right exploded perspective view thereof.

The broken lines in the figures depict environmental subject matter and form no part of the claimed design.

1 Claim, 8 Drawing Sheets



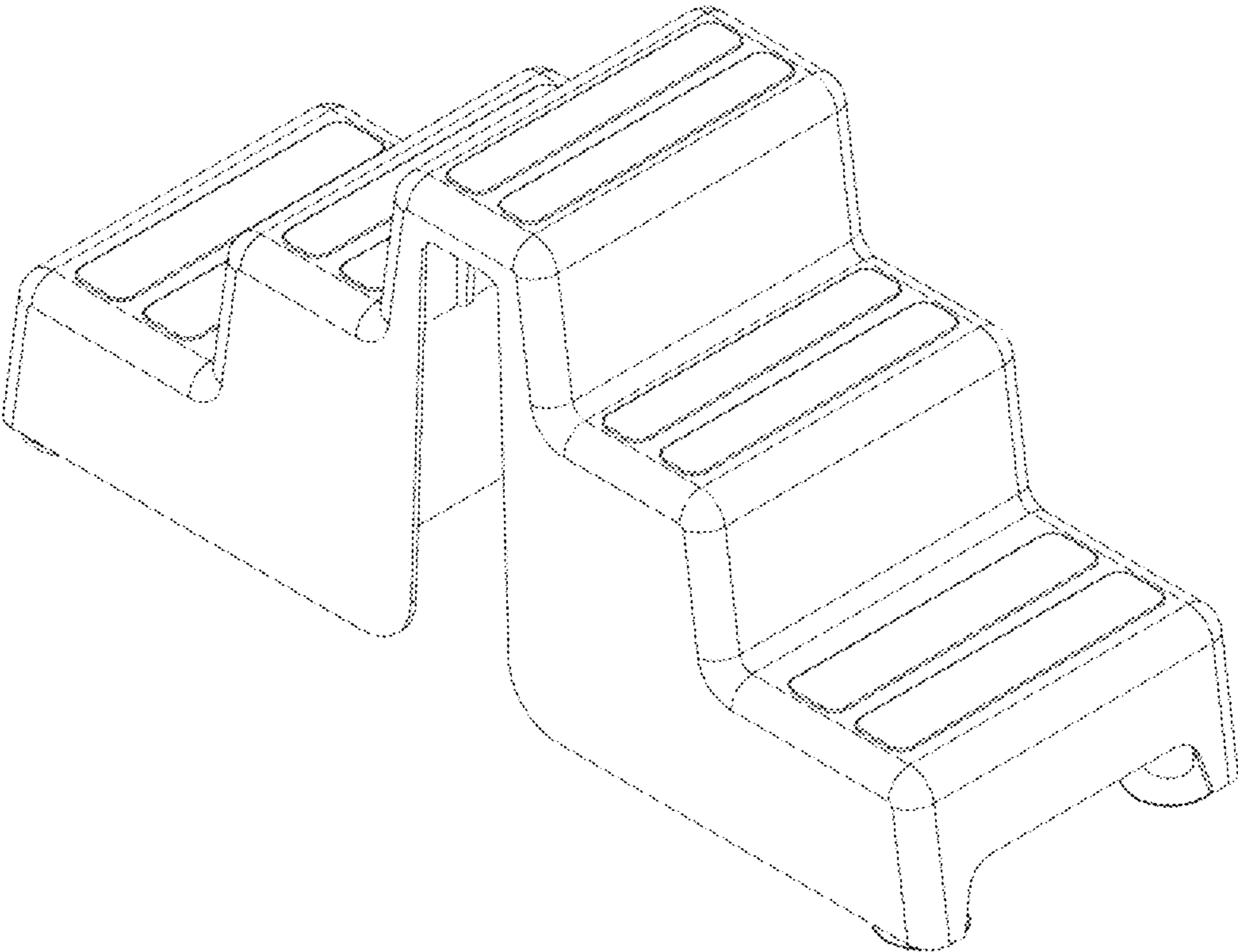


FIG. 1

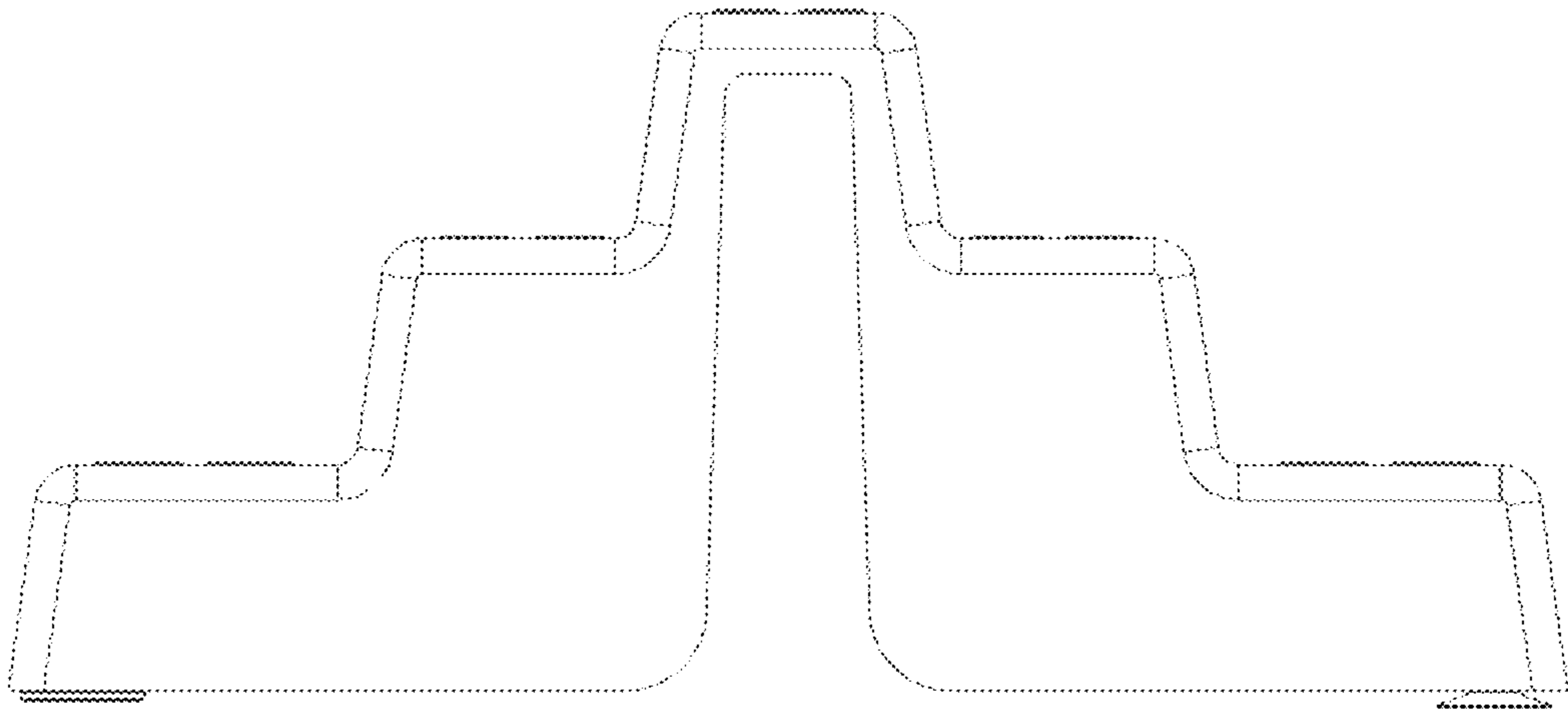


FIG. 2

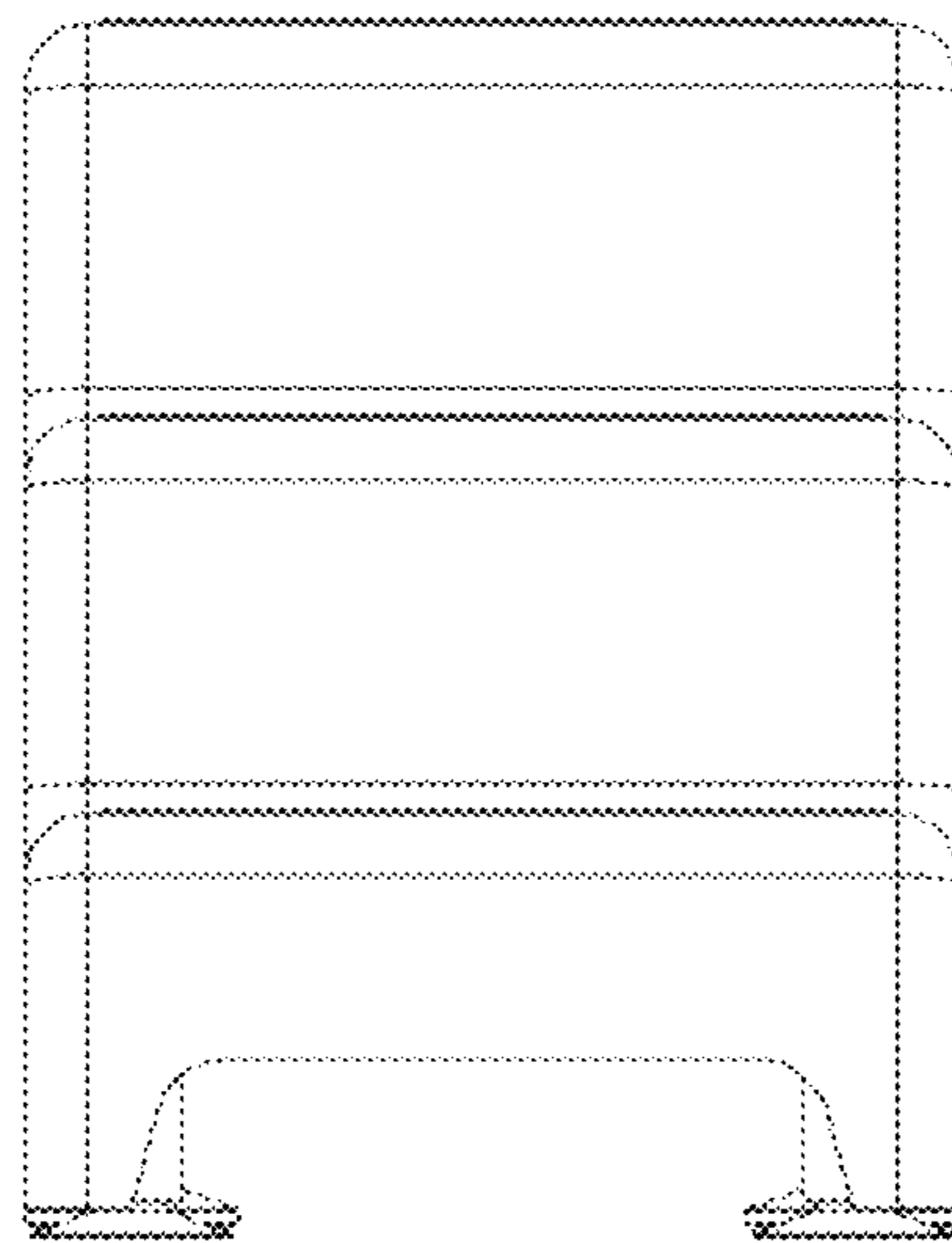


FIG. 3

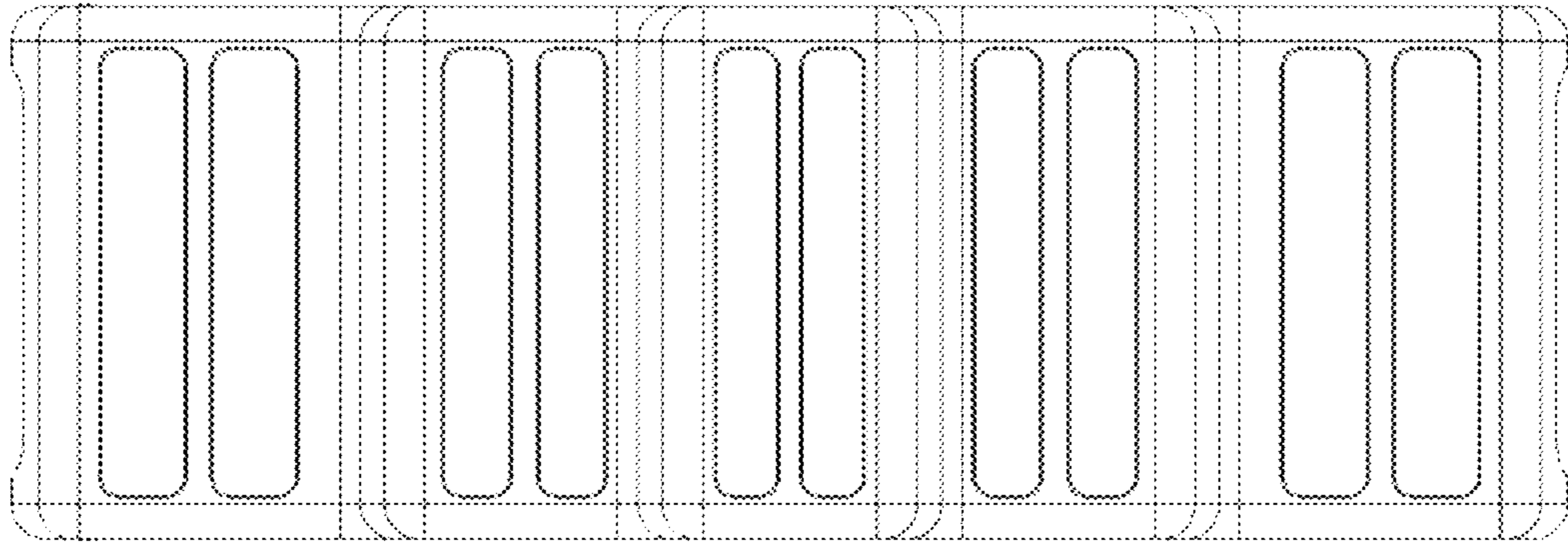


FIG. 4

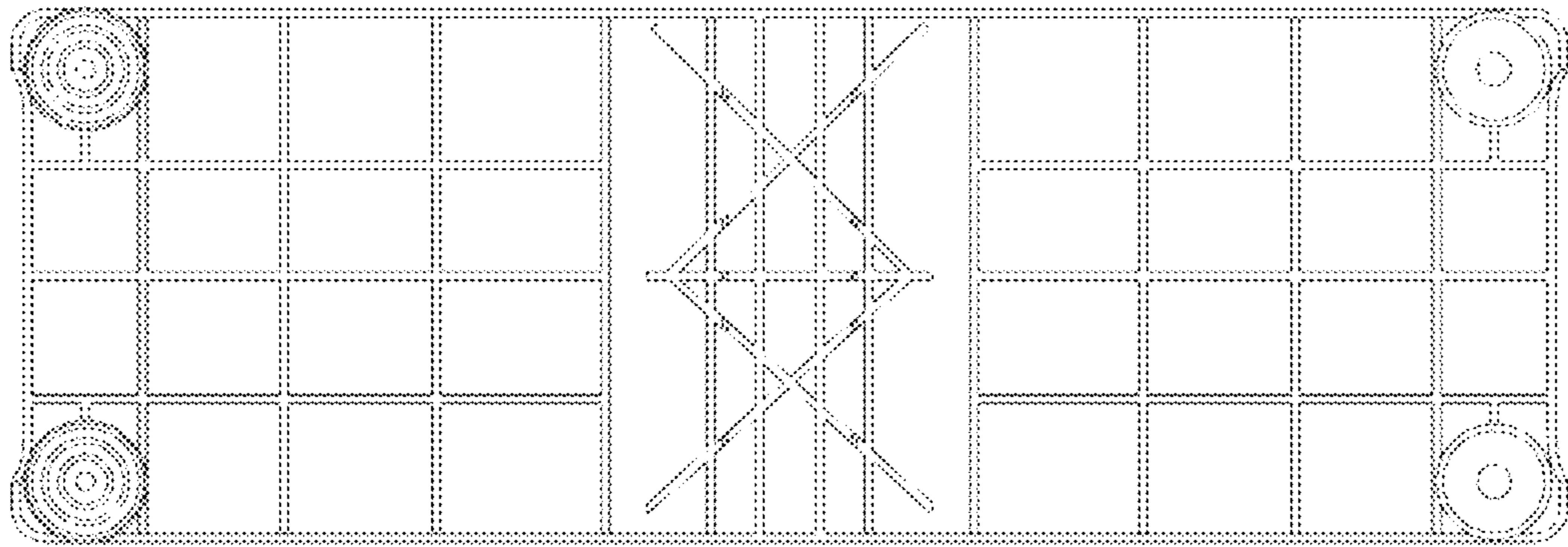


FIG. 5

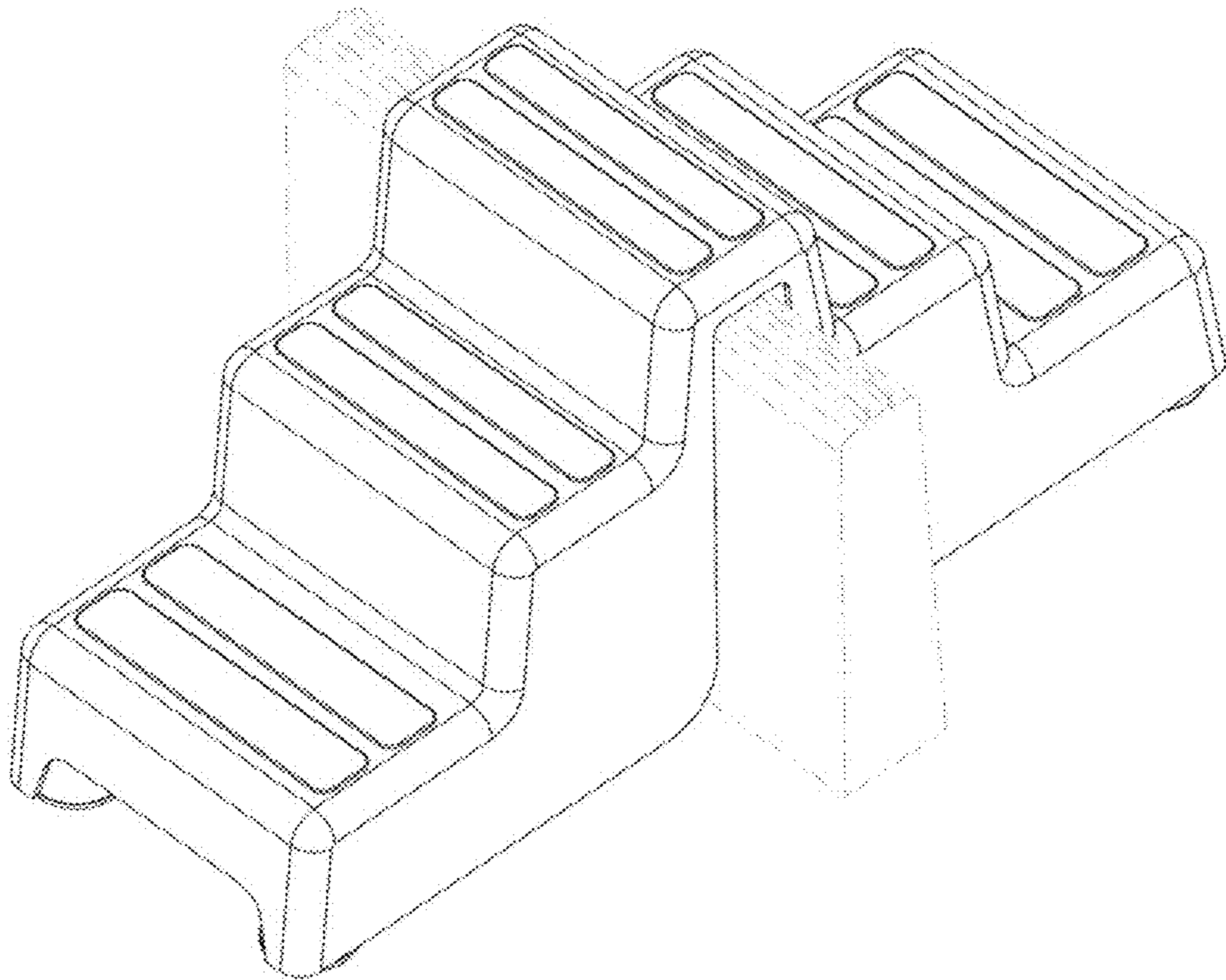


FIG. 6

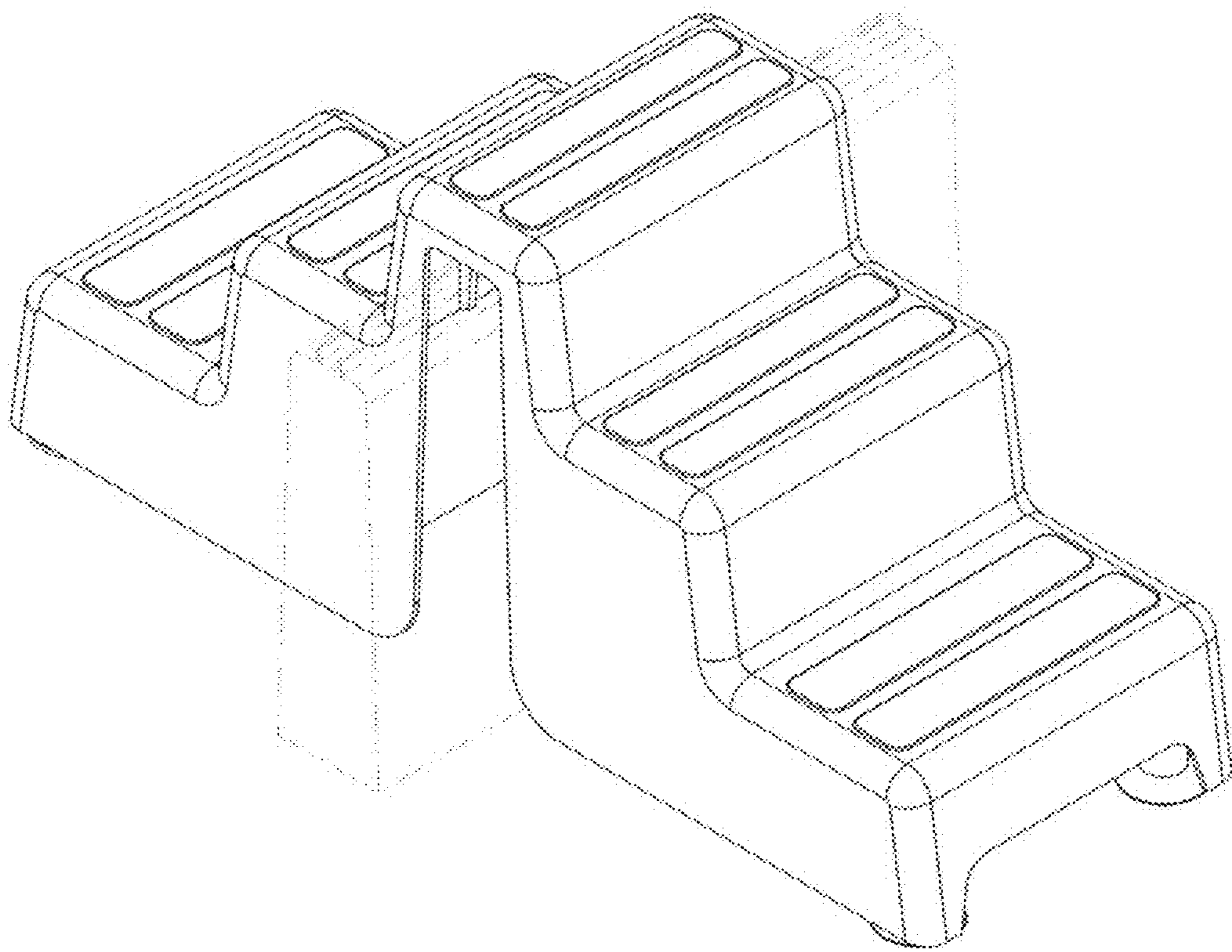


FIG. 7

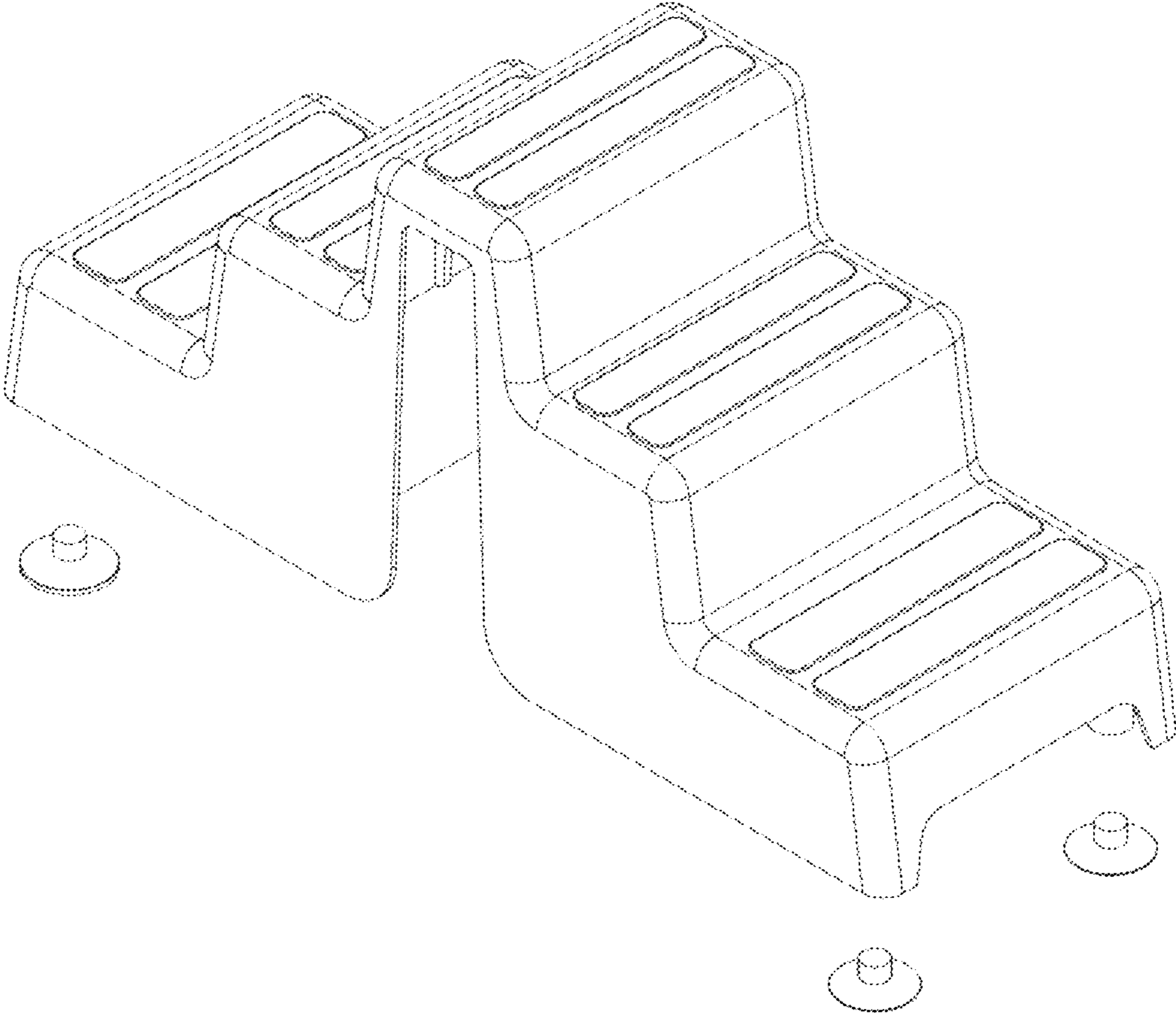


FIG. 8

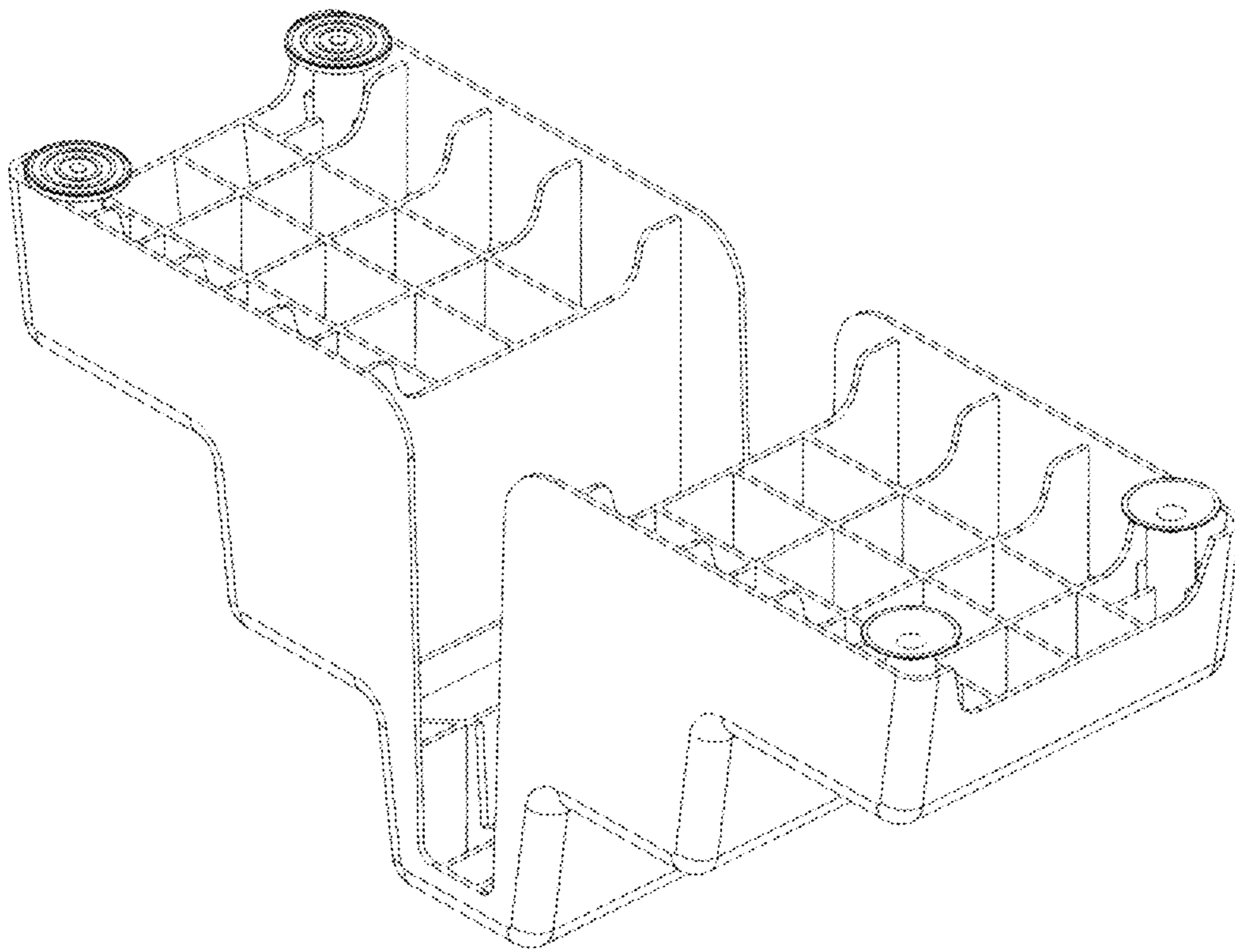


FIG. 9

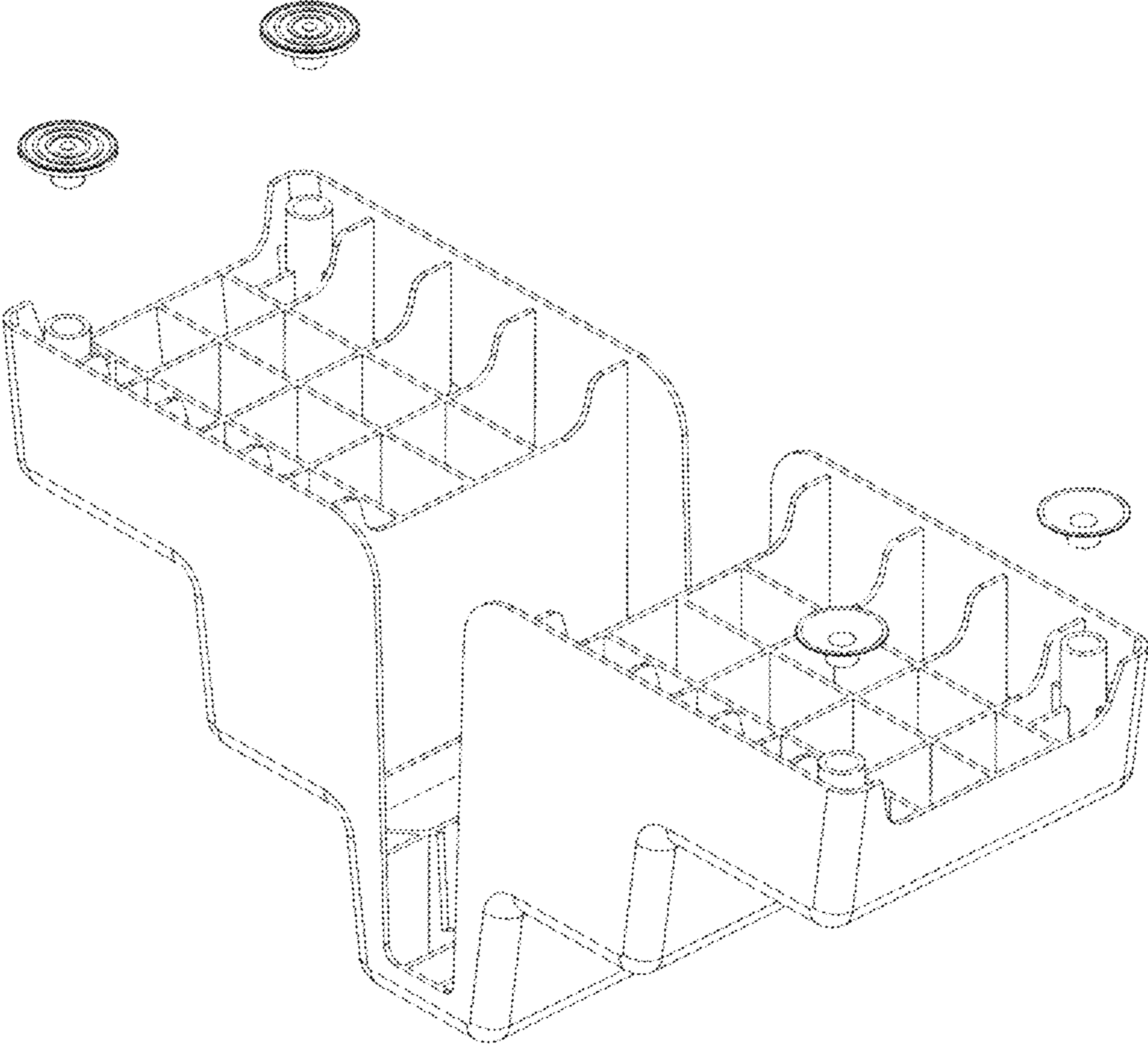


FIG. 10