

US00D879486S

(12) **United States Design Patent** (10) **Patent No.:** **US D879,486 S**
Pratt (45) **Date of Patent:** **** Mar. 31, 2020**

- (54) **ELECTRONIC STEAM SEAT**
- (71) Applicant: **Leiamoon LLC**, Pawling, NY (US)
- (72) Inventor: **Jessica Birnbaum Pratt**, Pawling, NY (US)
- (73) Assignee: **Leiamoon LLC**, Pawling, NY (US)
- (**) Term: **15 Years**
- (21) Appl. No.: **29/657,056**
- (22) Filed: **Jul. 18, 2018**
- (51) **LOC (12) Cl.** **06-01**
- (52) **U.S. Cl.**
USPC **D6/349**; D28/9
- (58) **Field of Classification Search**
USPC D6/334–338, 340–343, 349–353, 355,
D6/364–366, 596, 601, 604, 691–691.9,
D6/692–692.6, 716–716.1; D25/65;
D28/9
CPC A47B 7/00–02; A47C 11/00; A47C 12/00;
A47C 16/02–04; A47C 9/00–105
See application file for complete search history.

aliexpress.com/item/Yoni-Steam-Women-s-health-care-Steam-Seat-Steamer-for-Face-Underbody-Good-for-Women-Health/1000005901364.html.*
Steam Seat-in Facial Steamers. [online] Published Apr. 19, 2019. Retrieved May 30, 2019 from URL: <https://www.aliexpress.com/item/22-Fumigation-Instrument-Sitting-Fumigation-Instrument-Gynecological-Andrology-Instrument-Reproductive-Steam-Seat/32958349769.html>.*
Leiamoon: Your Home Electronic Steam Seat. [online] Retrieved Aug. 2, 2019 from URL: <https://www.kickstarter.com/projects/leiamoonsteamseat/leiamoon-your-home-electronic-steam-seat>.*
Amazon.com Listing, “New Diana Steam Seat SJH-419 Herbal Steam Spa for Face & Lower Body Health Random Color (Steam Seat + USA Type 110V)”. Retrieved from Internet Jul. 17, 2018. https://www.amazon.com/Diana-SJH-419-Herbal-Health-Random/dp/B01EFMJVY4/ref=sr_1_1_a_it?ie=UTF8&qid=1531842334&sr=8-1&keywords=diana%2Bste%E2%80%A6&th=1, 5 pages.
“Diana Digital Hanbang Steam Sauna”. Retrieved from Internet Jul. 17, 2018. http://www.sjable.com/sbc430_sitzbath_steamer/, 15 pages.

* cited by examiner

Primary Examiner — Vy N Koenig
(74) *Attorney, Agent, or Firm* — Lee Sullivan Shea & Smith LLP

(57) **CLAIM**

The ornamental design for an electronic steam seat, as shown and described.

DESCRIPTION

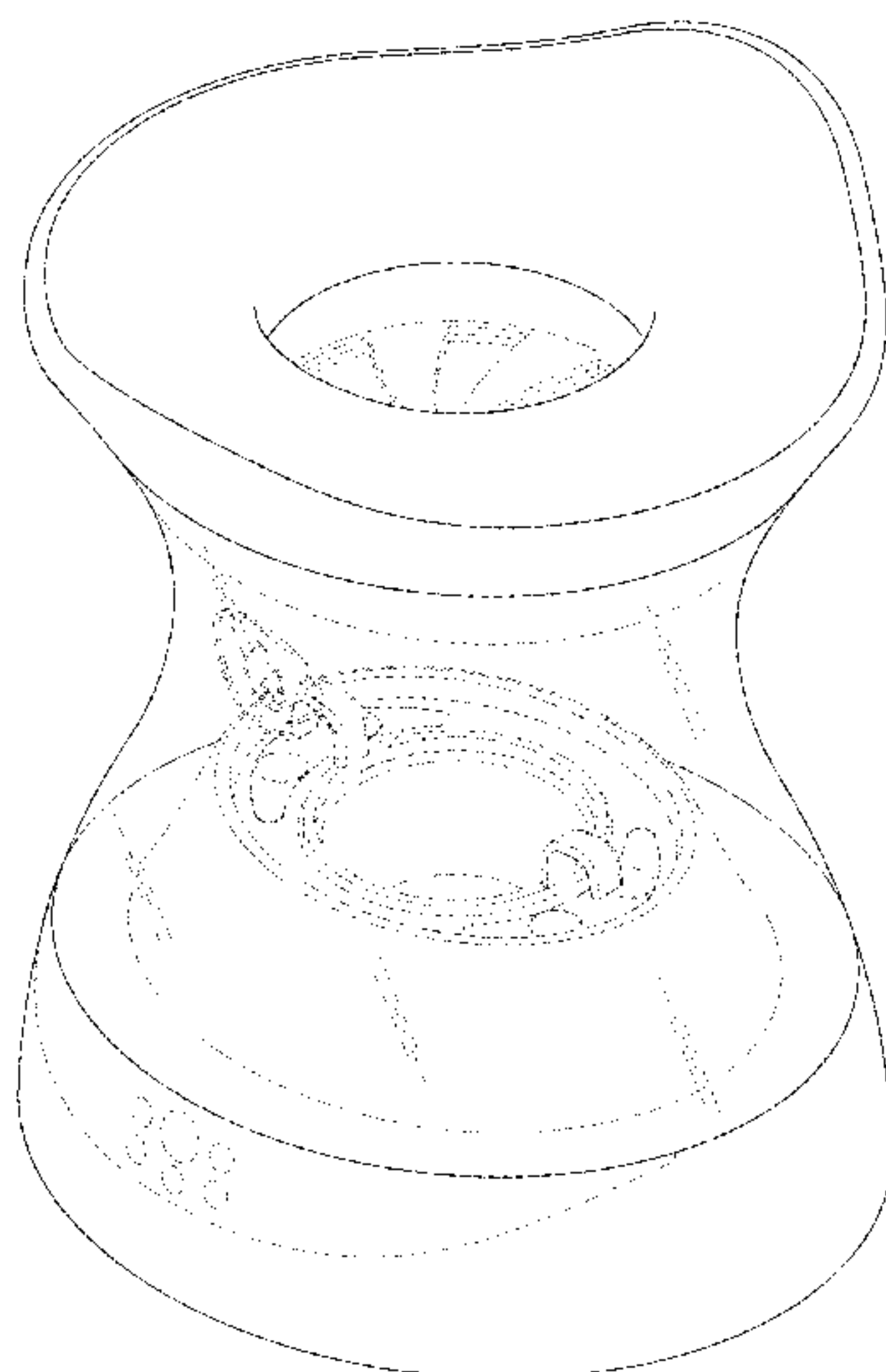
FIG. 1 is a perspective view of an electronic steam seat, according to the present invention;
FIG. 2 is a front view thereof;
FIG. 3 is a rear view thereof;
FIG. 4 is a left side view thereof;
FIG. 5 is a right side view thereof;
FIG. 6 is a top view thereof; and,
FIG. 7 is a bottom view thereof.
The oblique lines of the drawings indicate transparent or semi-transparent material for those parts of the design. The broken lines of the drawings depict environmental subject matter and form no part of the claimed design.

- (56) **References Cited**
- U.S. PATENT DOCUMENTS
- D460,641 S * 7/2002 O’Hare D6/708.15
- D579,675 S * 11/2008 Paterson D6/349
- D647,313 S * 10/2011 Chen D6/364
- D670,094 S * 11/2012 Prestandrea D6/351
- D677,073 S * 3/2013 Zak D6/686
- D747,129 S * 1/2016 Yasuda D6/364
- D801,712 S * 11/2017 Neil D6/349
- D830,710 S * 10/2018 Harguth D6/349
- D835,773 S * 12/2018 Yu D23/366

OTHER PUBLICATIONS

Yoni Steam Women’s health care Steam Seat. [online] Published Jan. 22, 2019. Retrieved May 30, 2019 from URL: <https://www.>

1 Claim, 7 Drawing Sheets



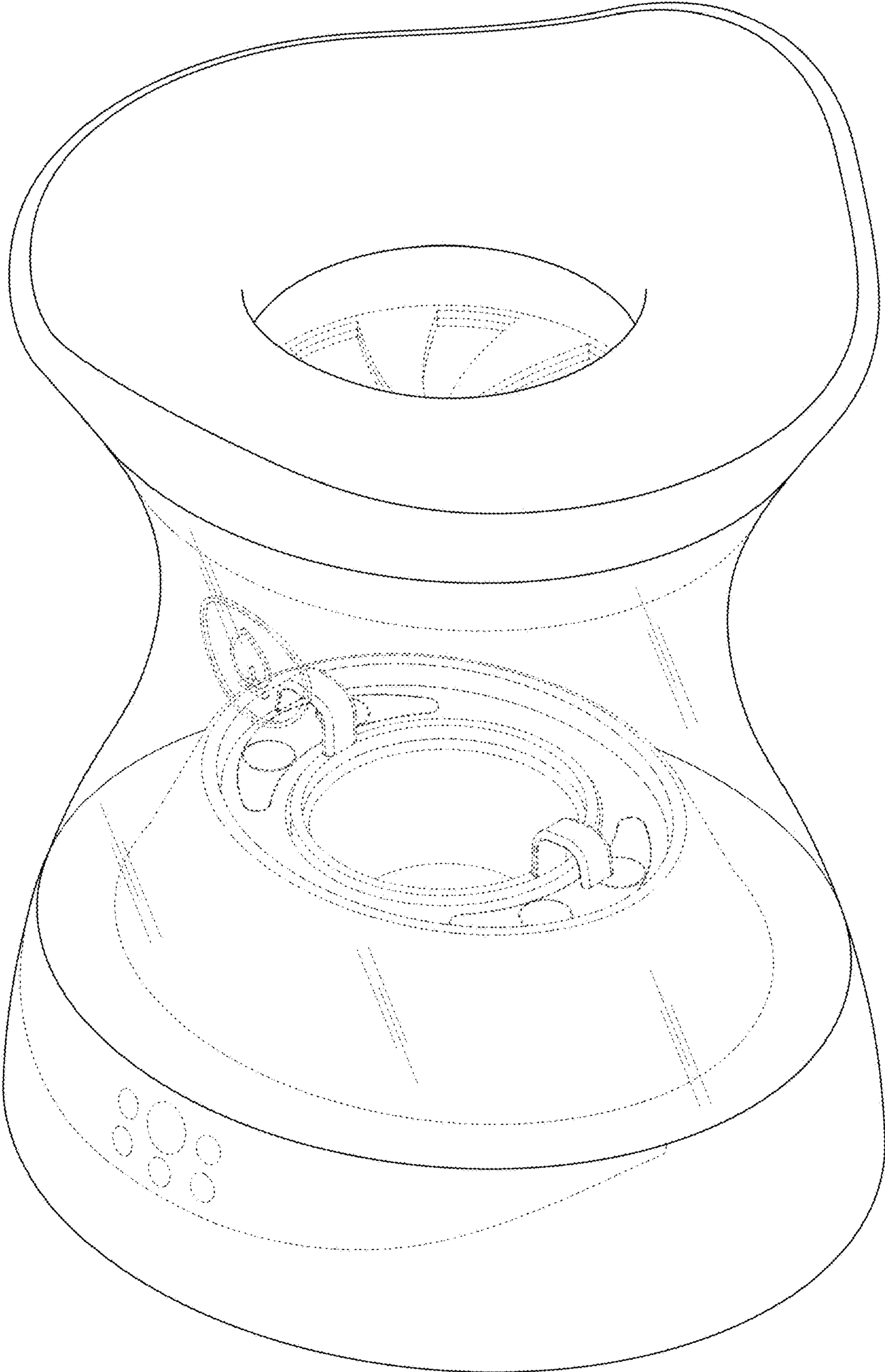


FIG. 1

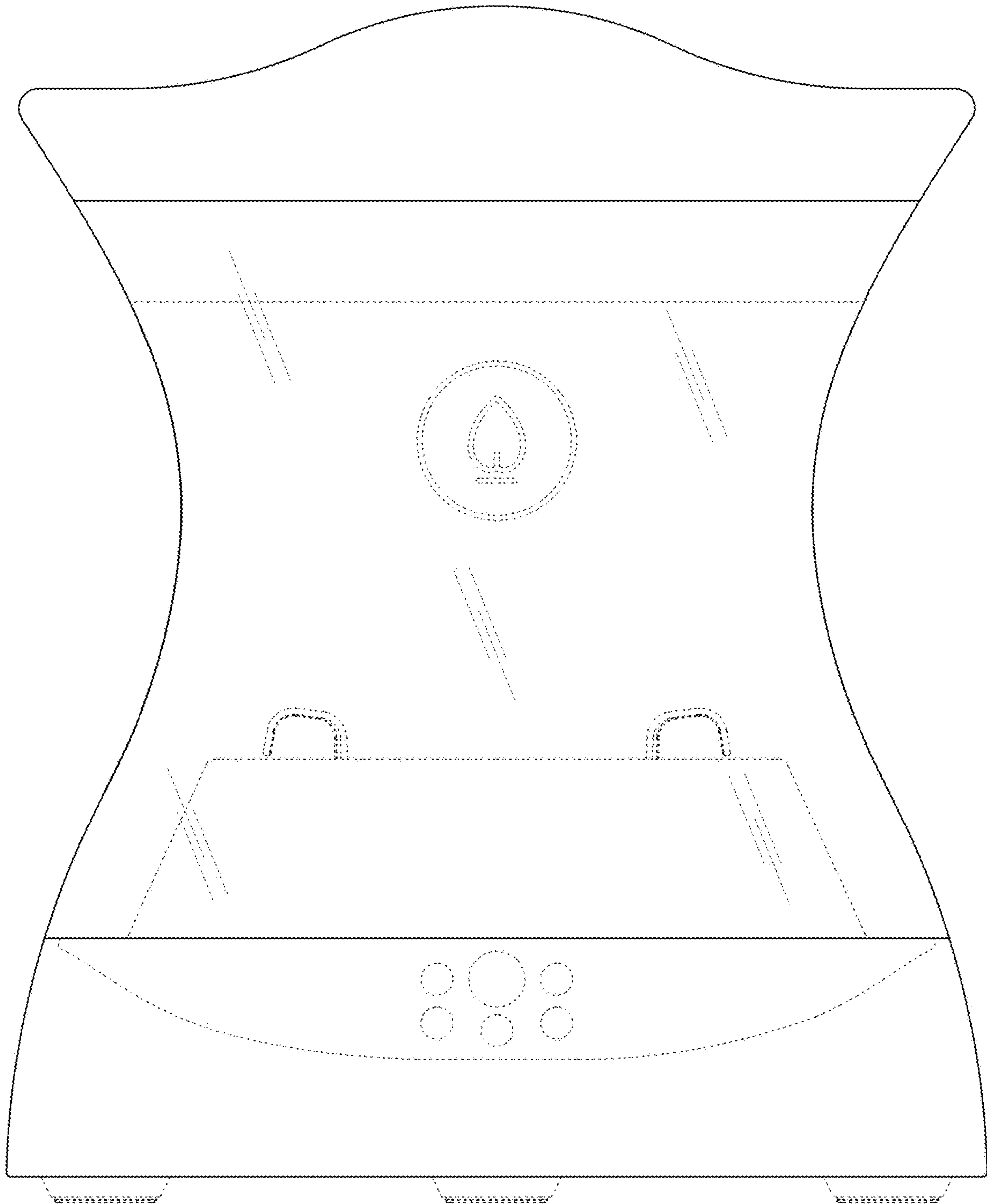


FIG. 2

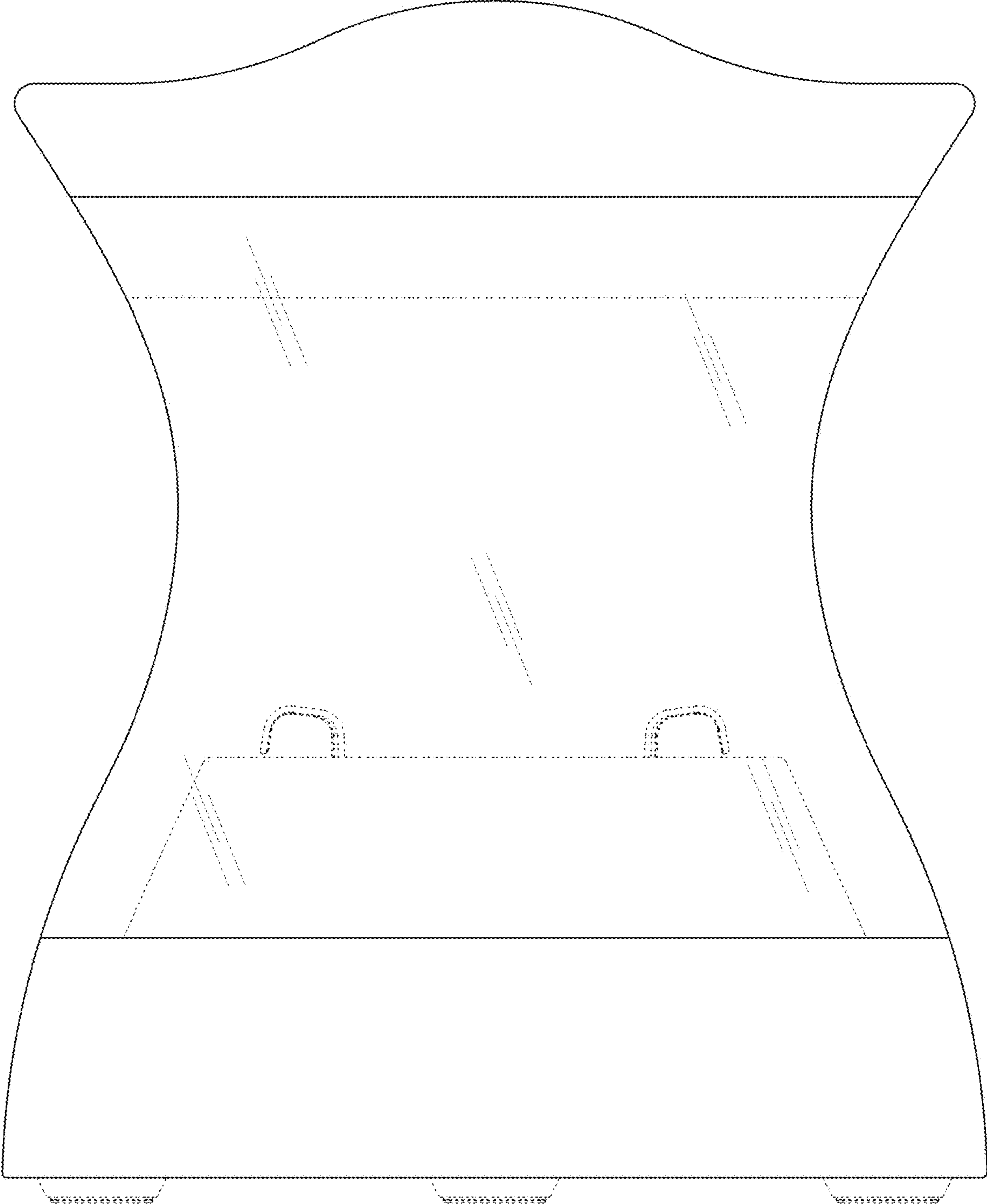


FIG. 3

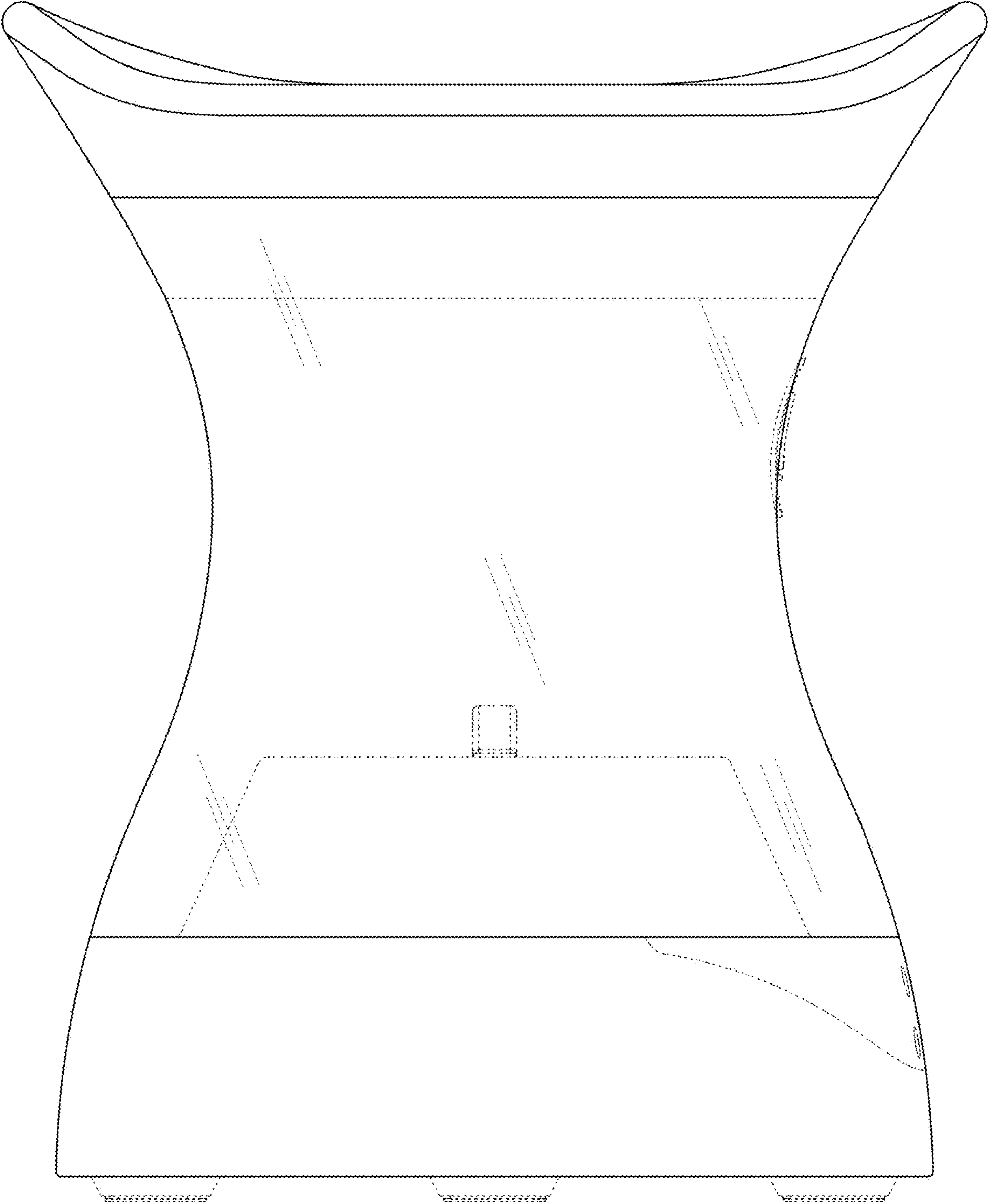


FIG. 4

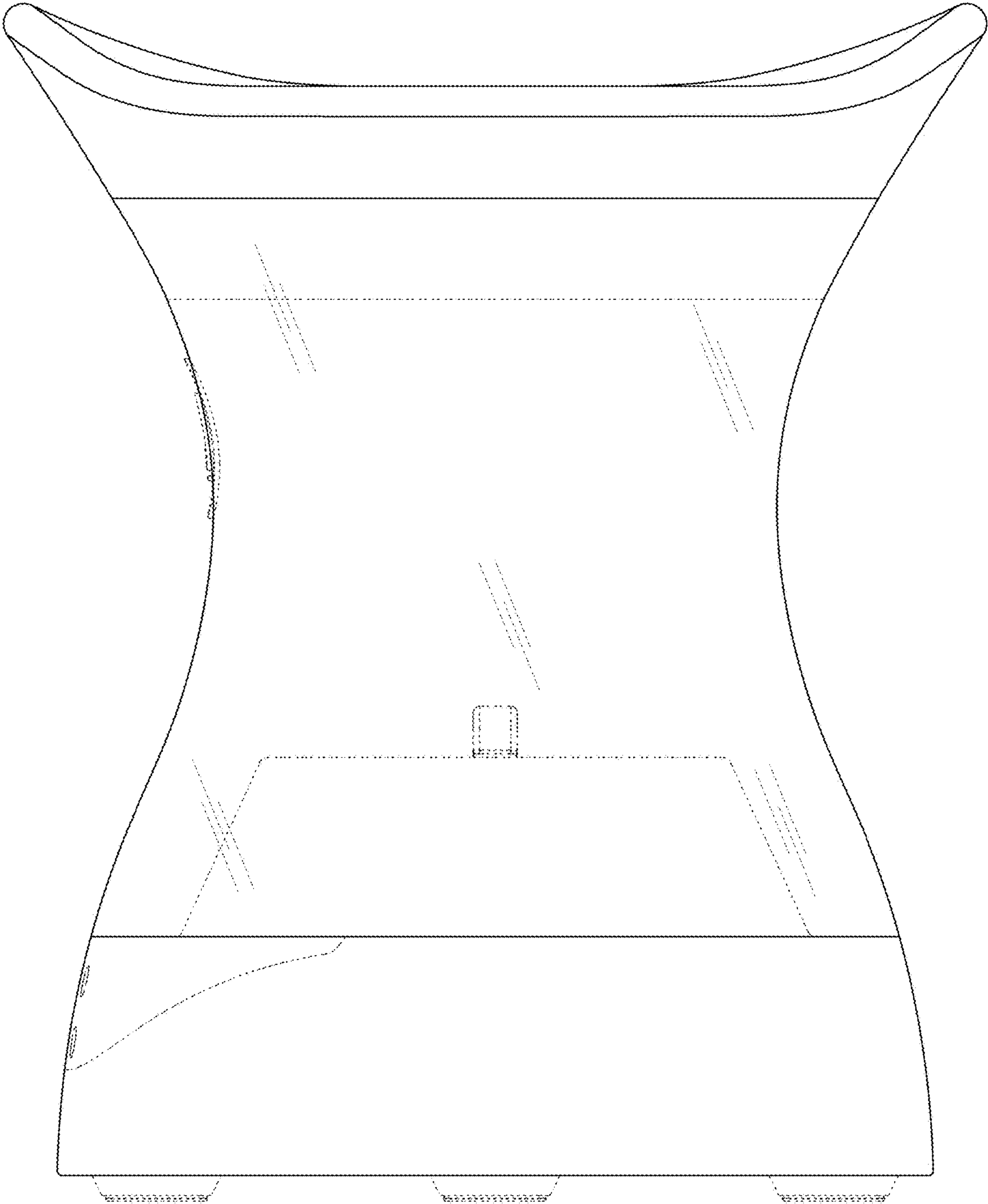


FIG. 5

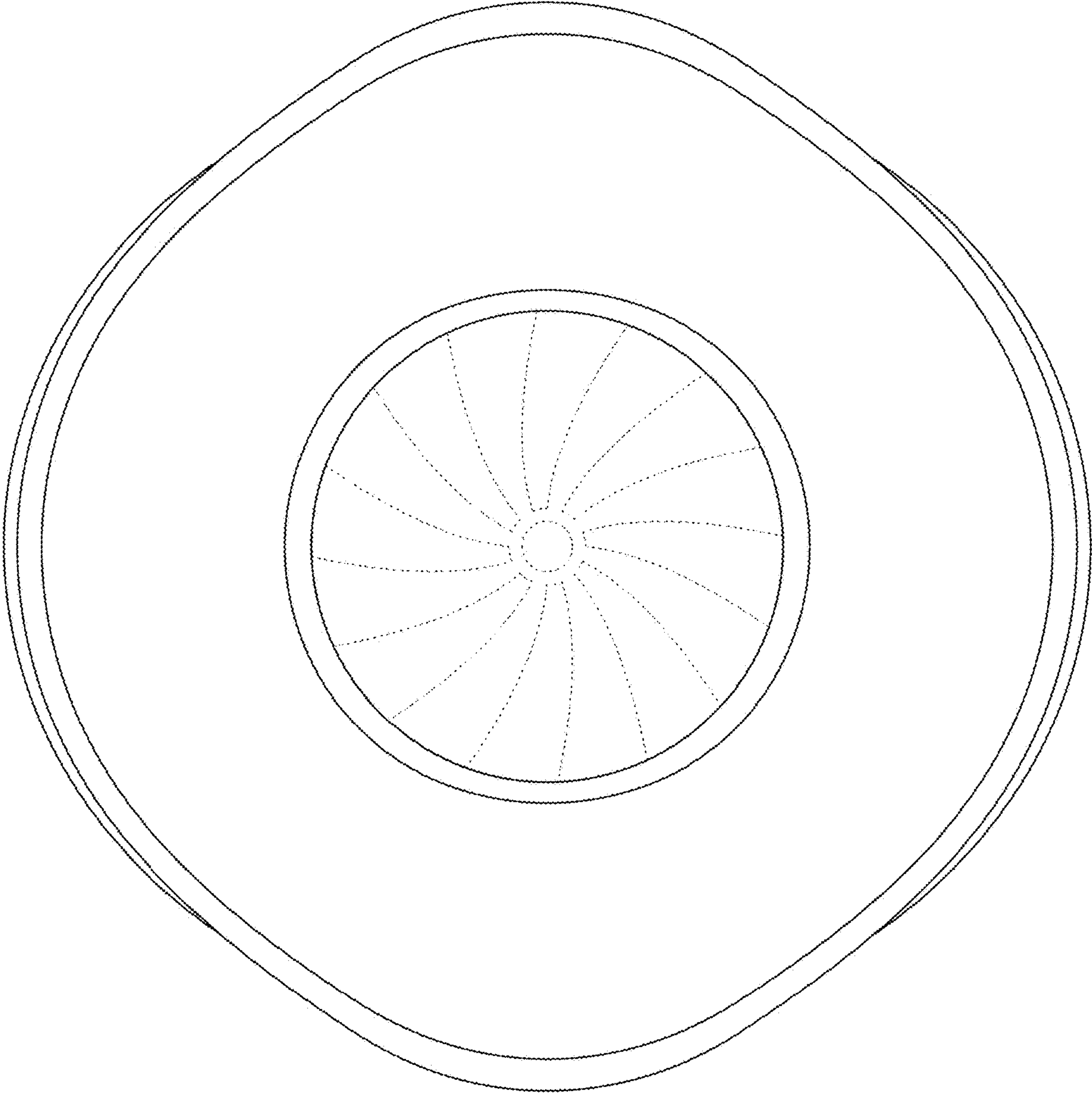


FIG. 6

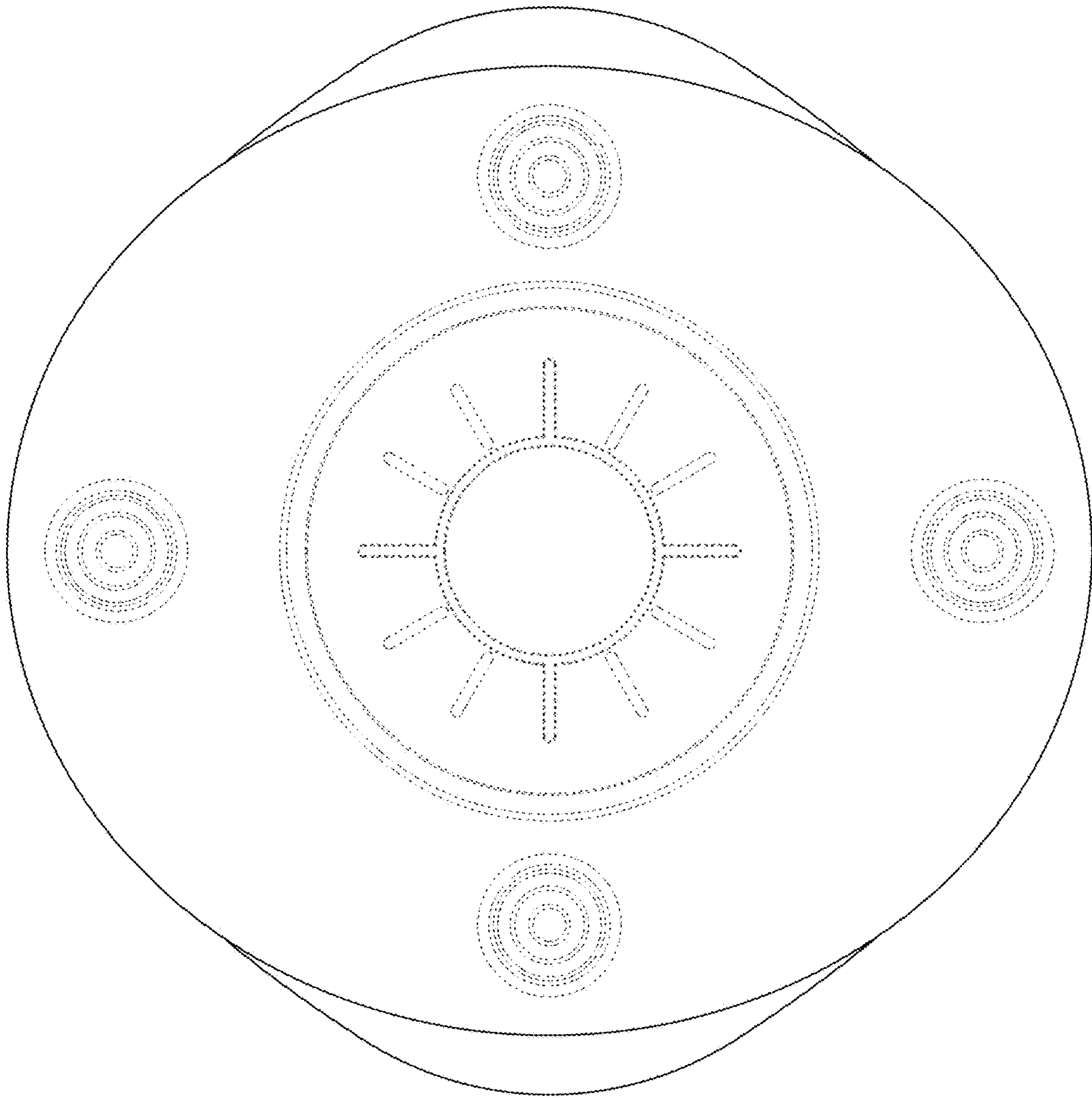


FIG. 7