



US00D879484S

(12) **United States Design Patent**
Jiao

(10) **Patent No.:** **US D879,484 S**
(45) **Date of Patent:** **** Mar. 31, 2020**

(54) **MIRROR**

(71) Applicant: **Ce Jiao**, Guangzhou (CN)

(72) Inventor: **Ce Jiao**, Guangzhou (CN)

(**) Term: **15 Years**

(21) Appl. No.: **29/716,243**

(22) Filed: **Dec. 9, 2019**

(51) **LOC (12) Cl.** **06-06**

(52) **U.S. Cl.**
USPC **D6/312**

(58) **Field of Classification Search**
USPC D6/300–314
CPC ... A47G 1/00; A47G 1/02; A47G 1/06; A47G
1/0616; A47G 1/14; A47G 1/141; A45D
42/00; A45D 42/08; A45D 42/14; A45D
42/16; A45D 42/10

See application file for complete search history.

(56) **References Cited**

U.S. PATENT DOCUMENTS

3,115,638	A *	12/1963	Kikas	A41D 13/04 2/48
D298,183	S *	10/1988	Bruse	D6/300
4,836,668	A *	6/1989	Christianson	A47G 1/02 359/512
5,033,528	A *	7/1991	Volcani	A45B 17/00 160/351
5,453,915	A *	9/1995	Bradley, III	A45D 42/10 248/474
6,220,717	B1 *	4/2001	Pastore	A45D 42/16 248/466
D463,824	S	10/2002	Kan		
6,682,198	B2 *	1/2004	Mangano	A45D 42/16 248/469
D495,152	S	8/2004	Pulini		
D563,679	S *	3/2008	Vidmar	D6/309
D614,335	S *	4/2010	Cham	D26/51
8,157,394	B1 *	4/2012	Downing	G02B 7/182 248/476

D661,498	S *	6/2012	Wang	G09F 7/04 D6/312
D713,056	S *	9/2014	Gulick	D25/68
D824,681	S *	8/2018	Vaughn	D6/309
2019/0267825	A1 *	8/2019	Chien	A47G 1/02

OTHER PUBLICATIONS

“Comolife 3X Magnifying Make-up Mirror Angle Adjustable Clip-on Type, Size : Ø3.7 Inch”, Retrieved Dec. 9, 2019]. Retrieved from Internet, <https://www.greenhomefair.com/comolife-3x-magnifying-make-up-mirror-angle-adjustable-clip-on-type-size-o3-7-inch/>.

* cited by examiner

Primary Examiner — Deanna L Pratt

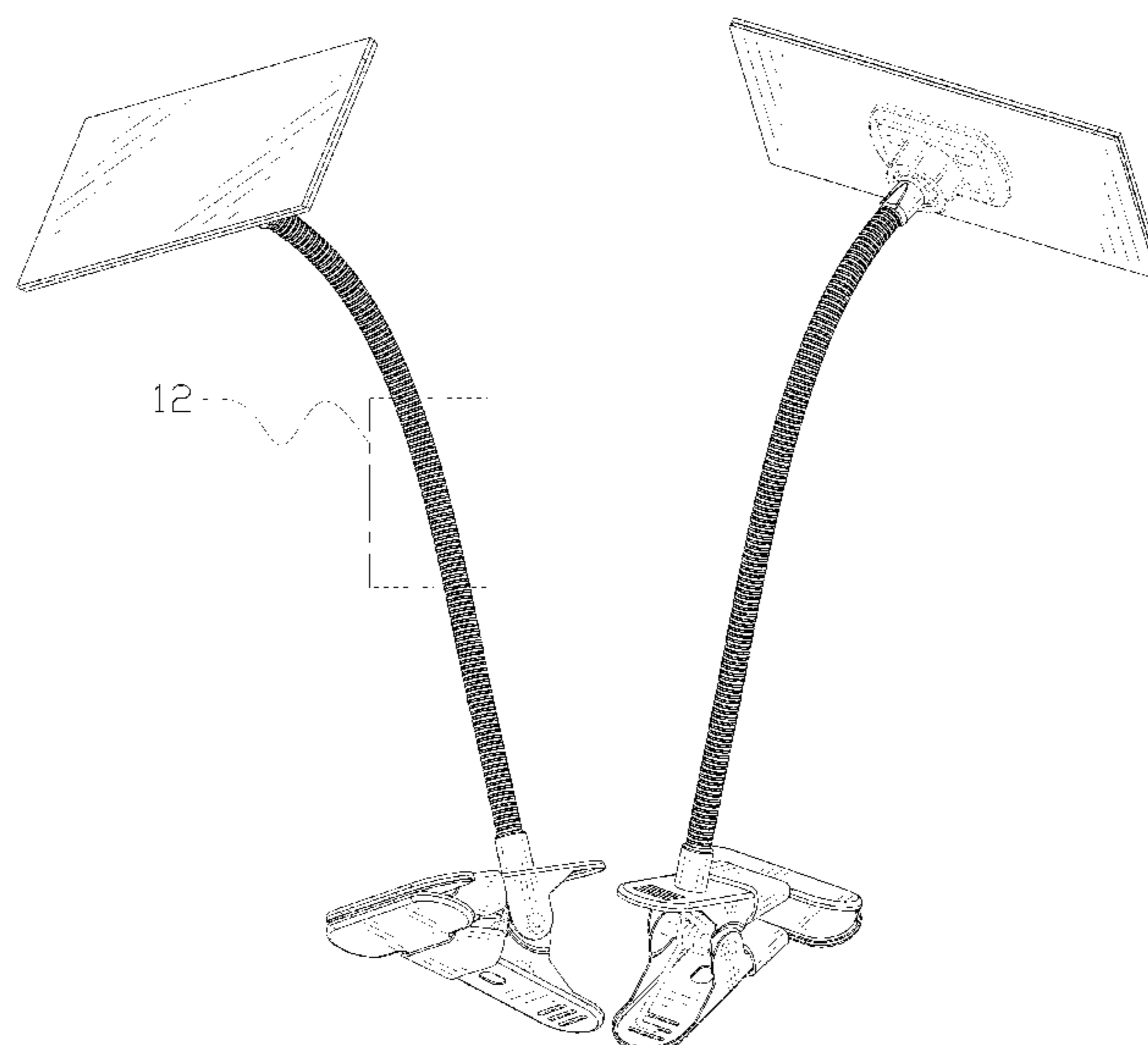
(57) **CLAIM**

The ornamental design for a mirror, as shown and described.

DESCRIPTION

FIG. 1 is a perspective view of a mirror showing my new design where the mirror is in a first configuration of use; FIG. 2 is another perspective view thereof; FIG. 3 is a front elevational view thereof; FIG. 4 is a rear elevational view thereof; FIG. 5 is a left side elevational view thereof; FIG. 6 is a right side elevational view thereof; FIG. 7 is a top plan view thereof; FIG. 8 is a bottom plan view thereof; FIG. 9 is a perspective view of the mirror where the mirror is in a second configuration of use; FIG. 10 is a perspective view of the mirror where the mirror is in a third configuration of use; FIG. 11 is a exploded perspective view of the mirror; and, FIG. 12 is an enlarged view of portion 12 shown in FIG. 1. The broken lines in the drawings depict portions of the mirror that form no part of the claimed design.

1 Claim, 12 Drawing Sheets



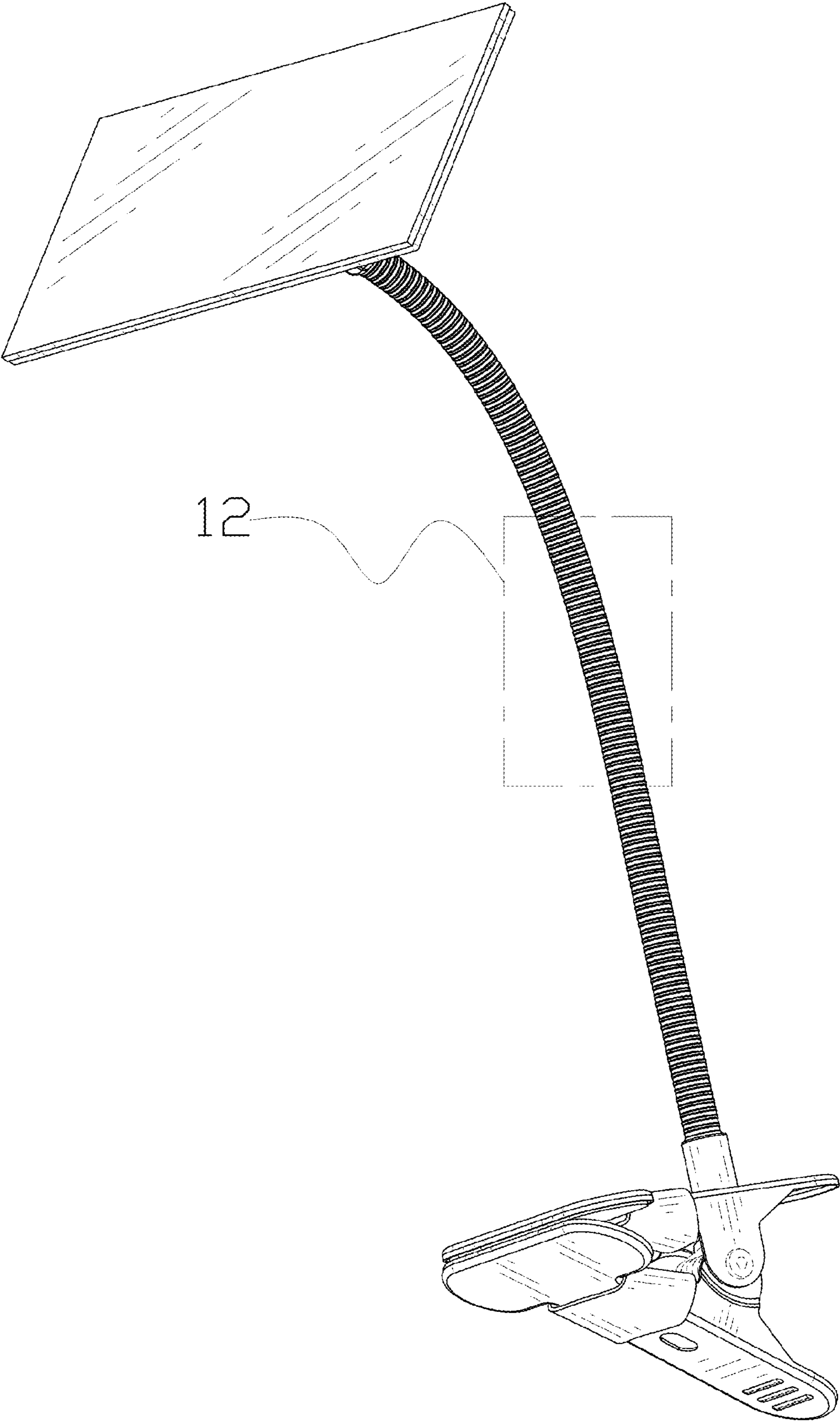


FIG. 1

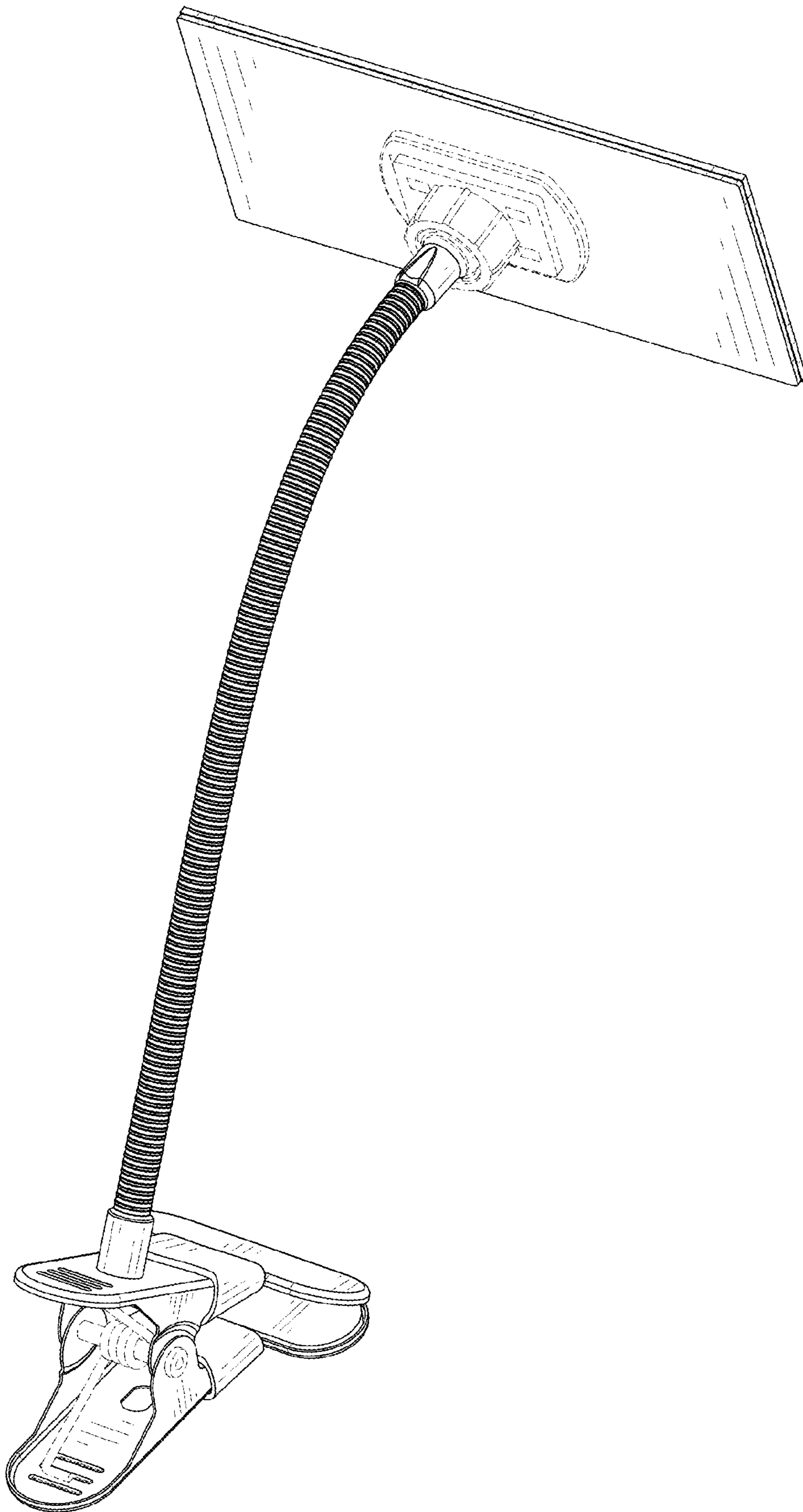


FIG. 2

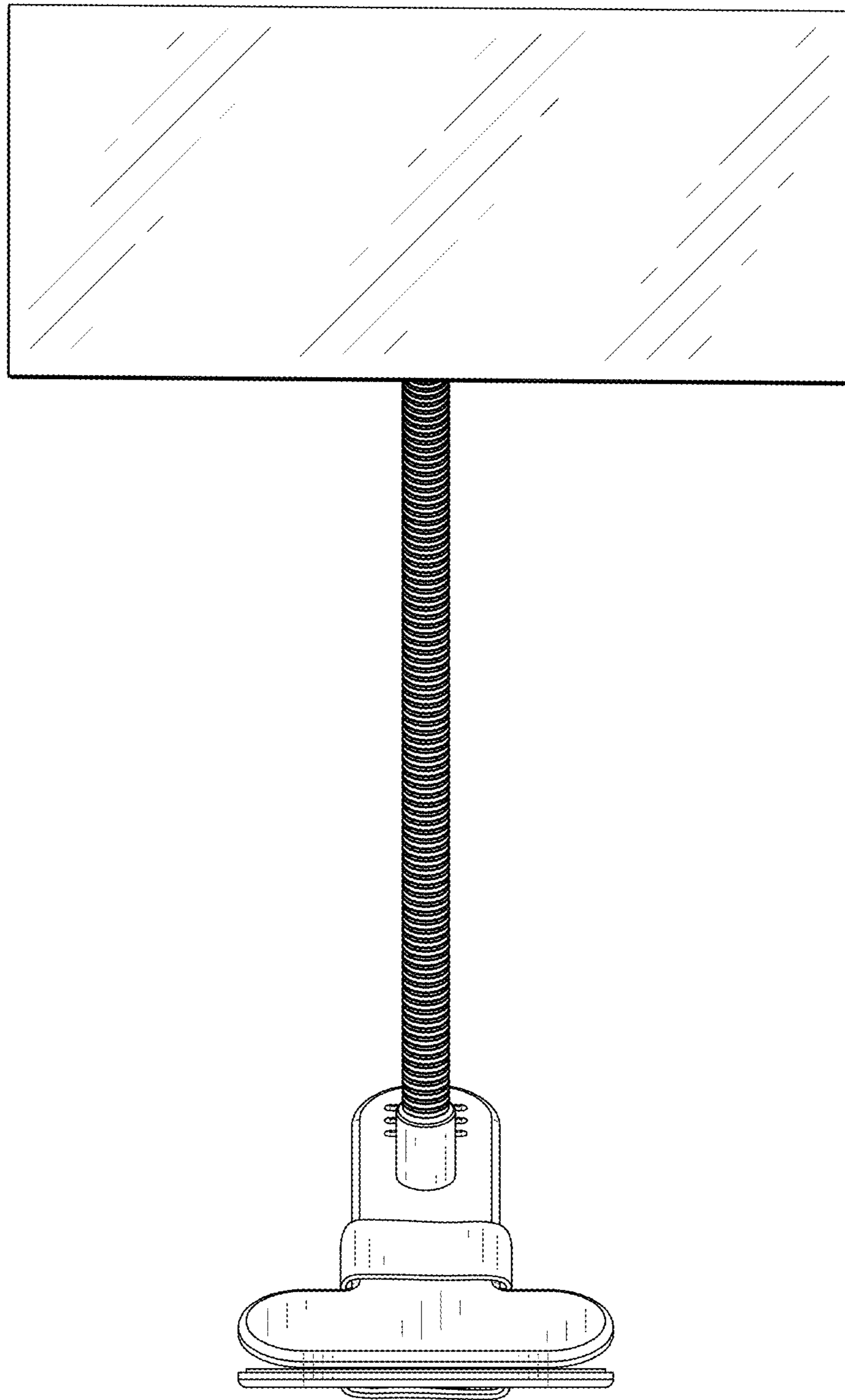


FIG. 3

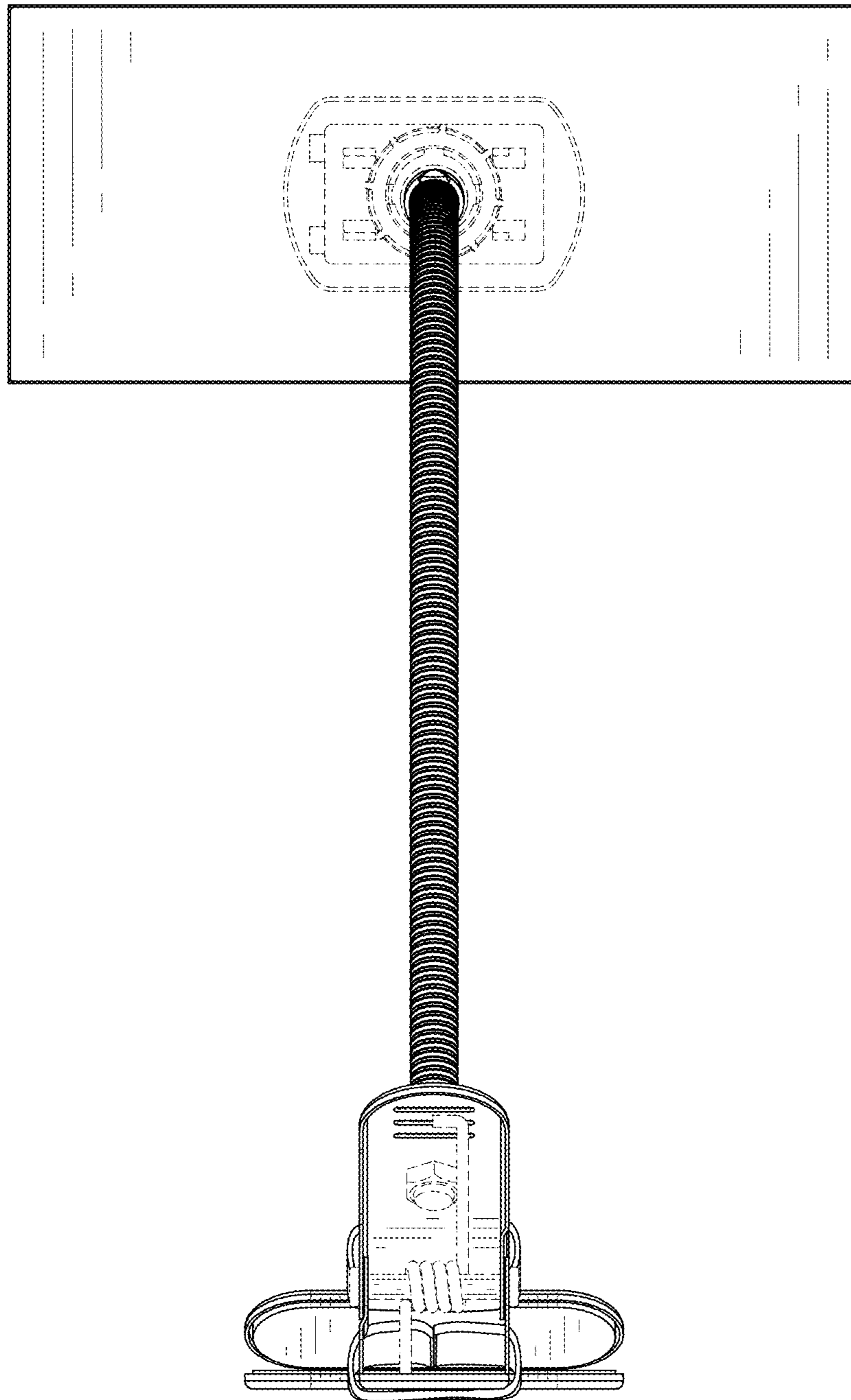


FIG. 4

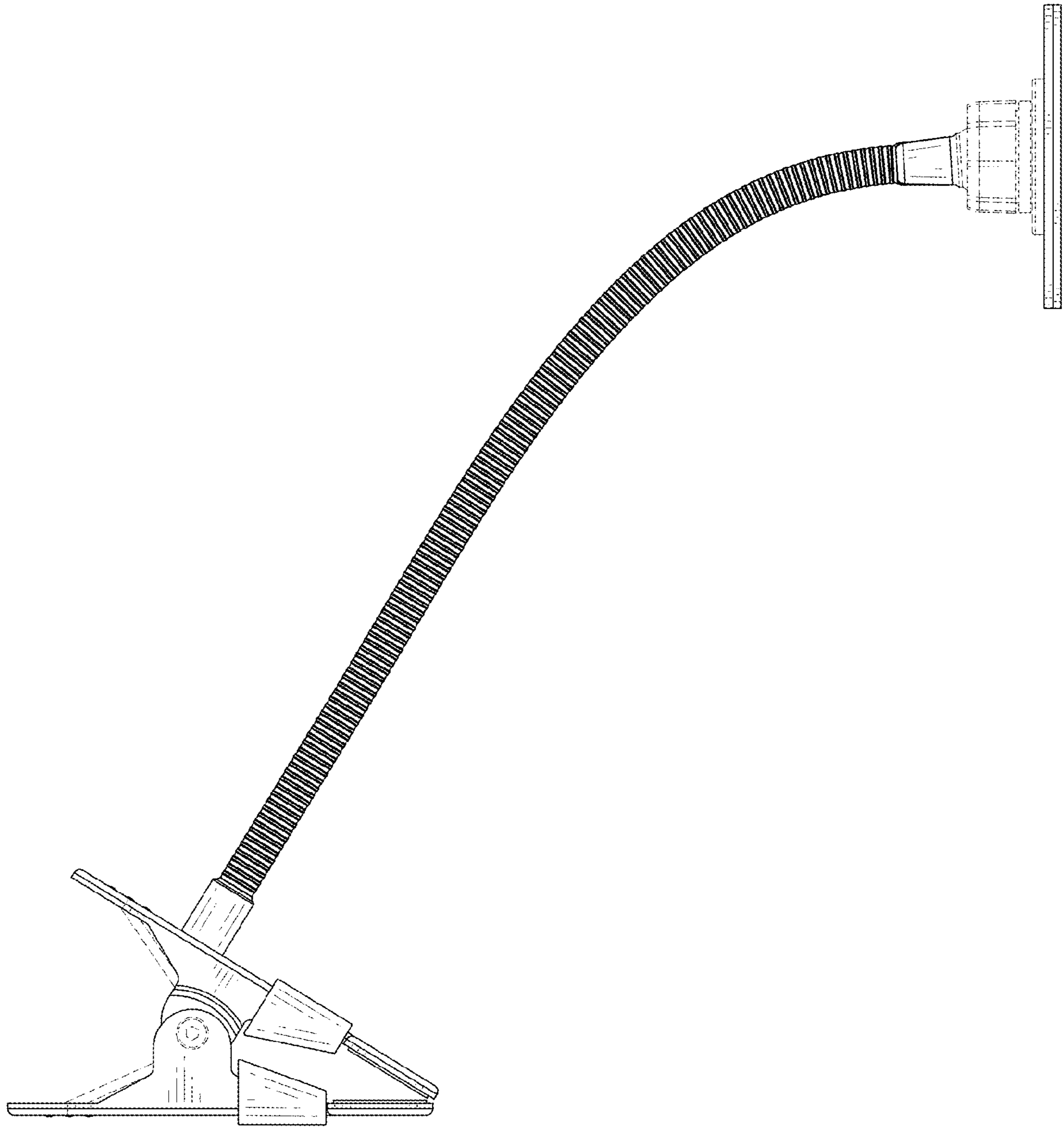


FIG. 5

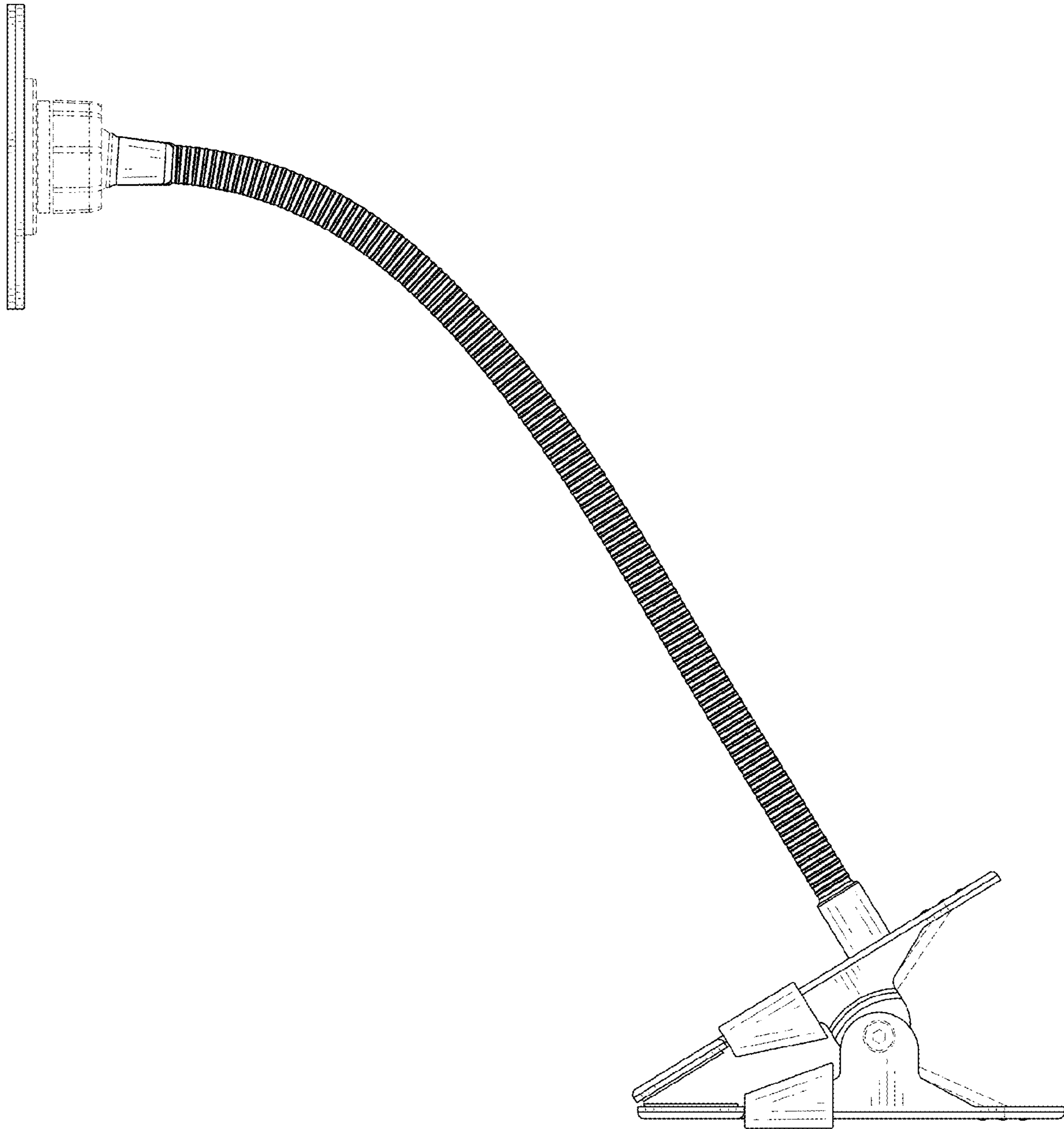


FIG. 6

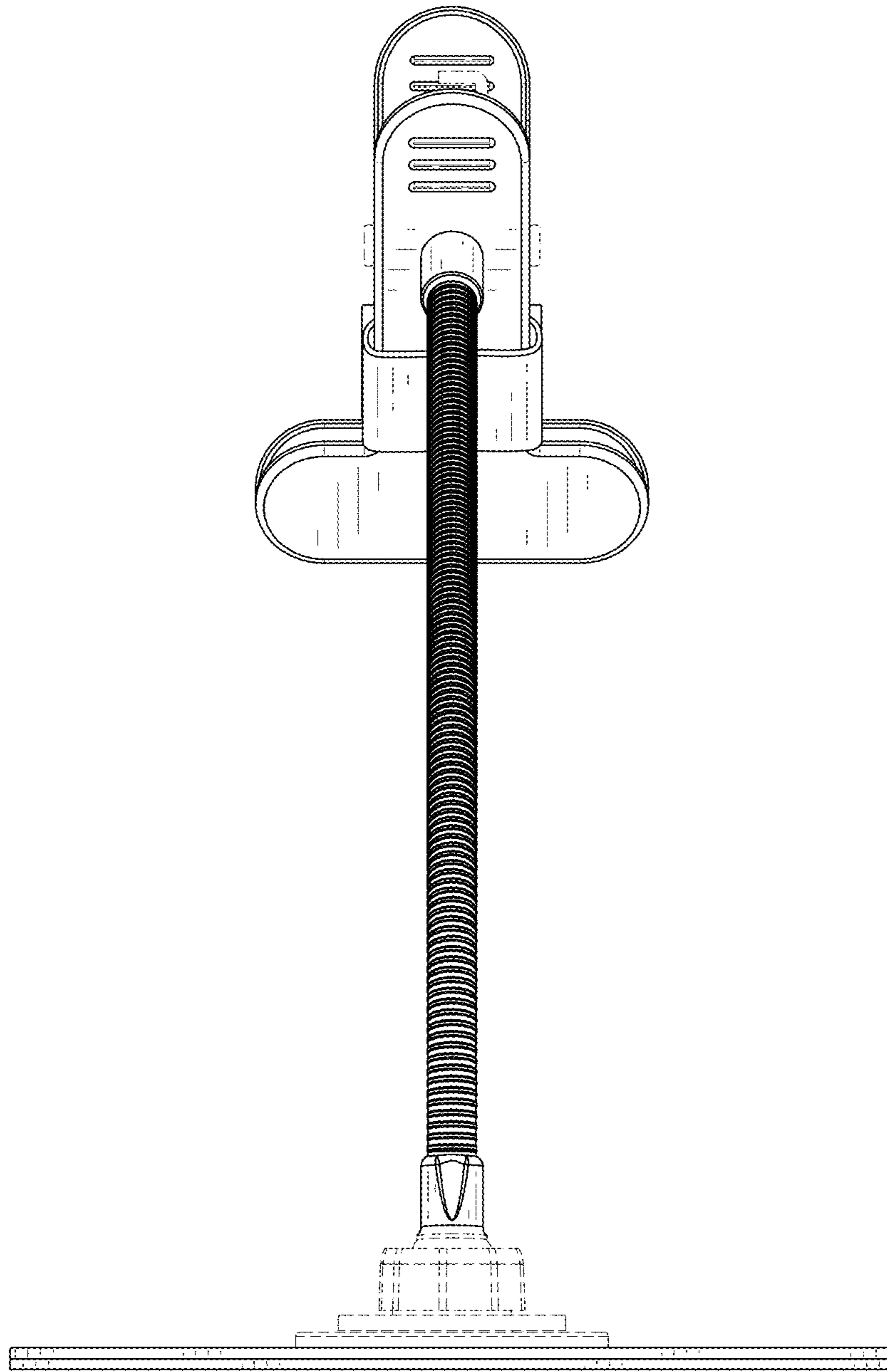


FIG. 7

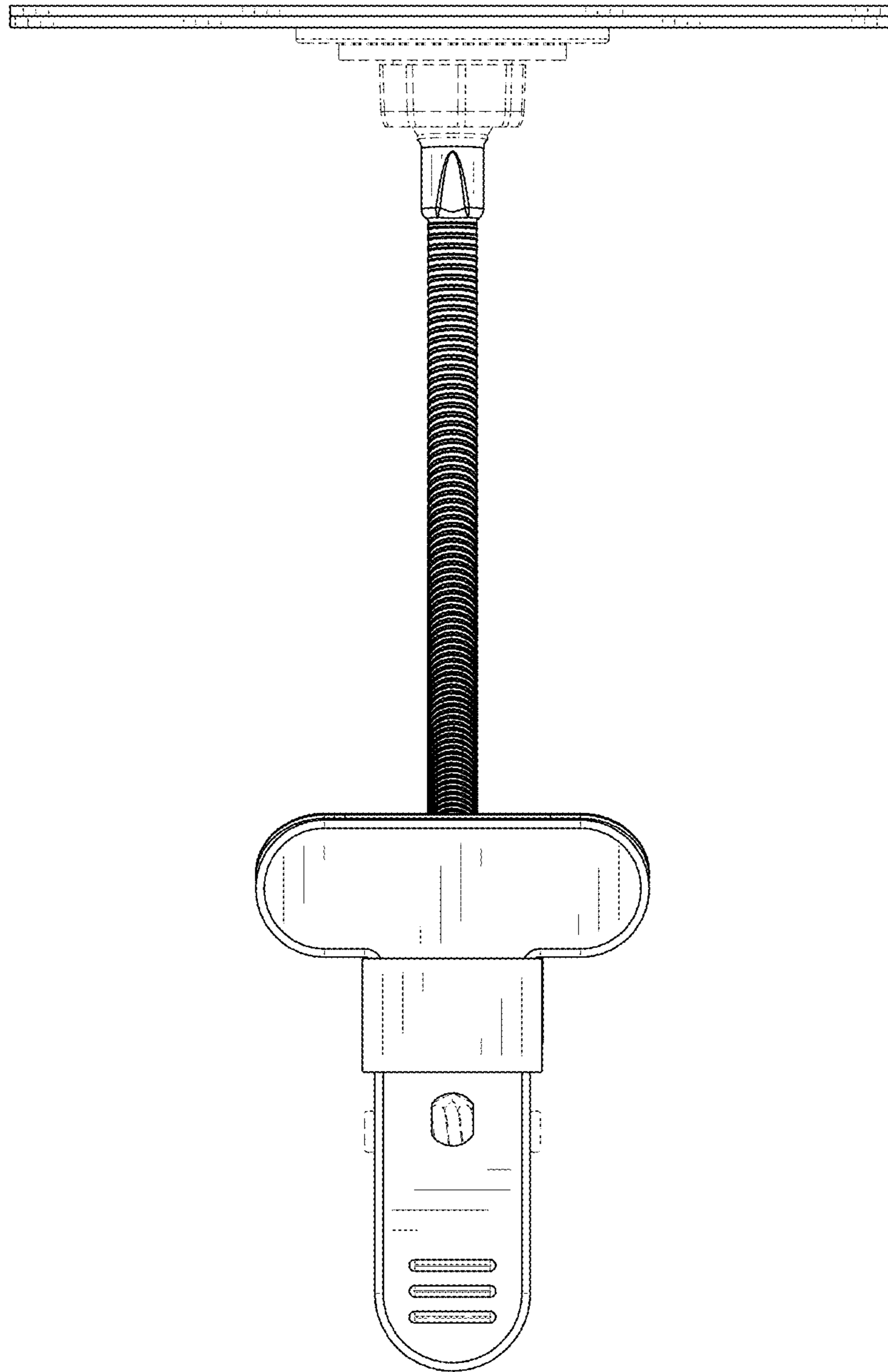


FIG. 8

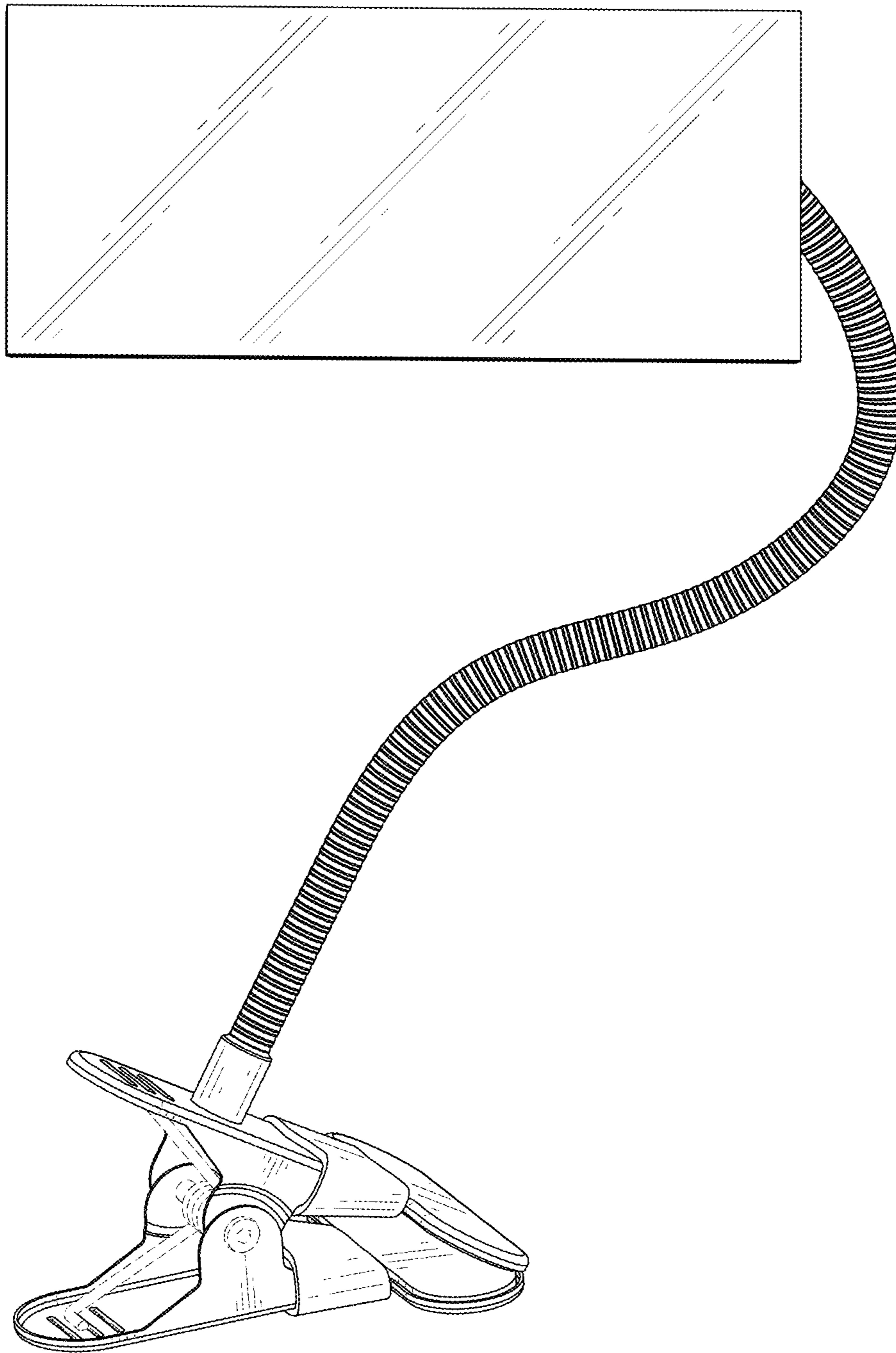


FIG. 9

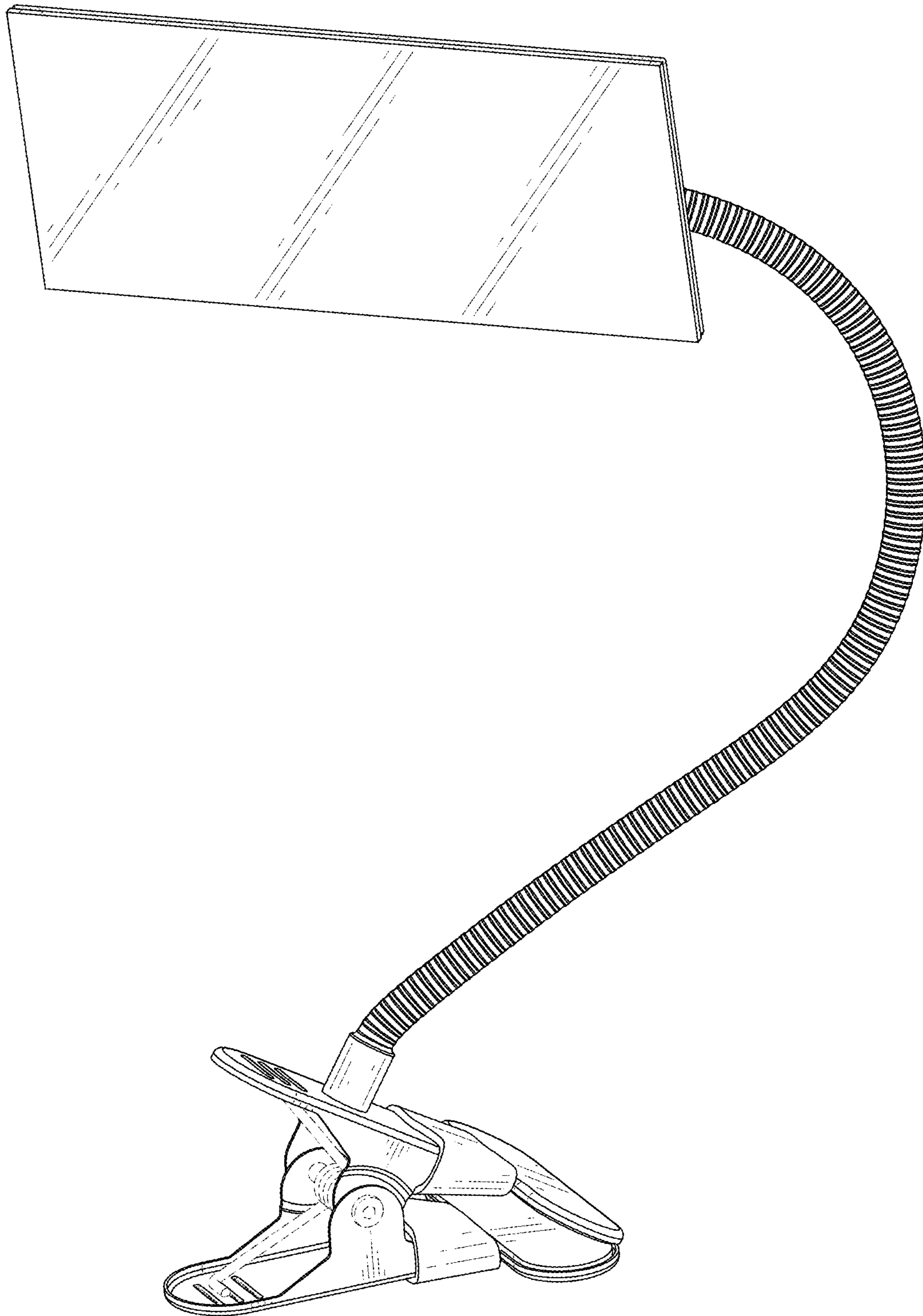


FIG. 10

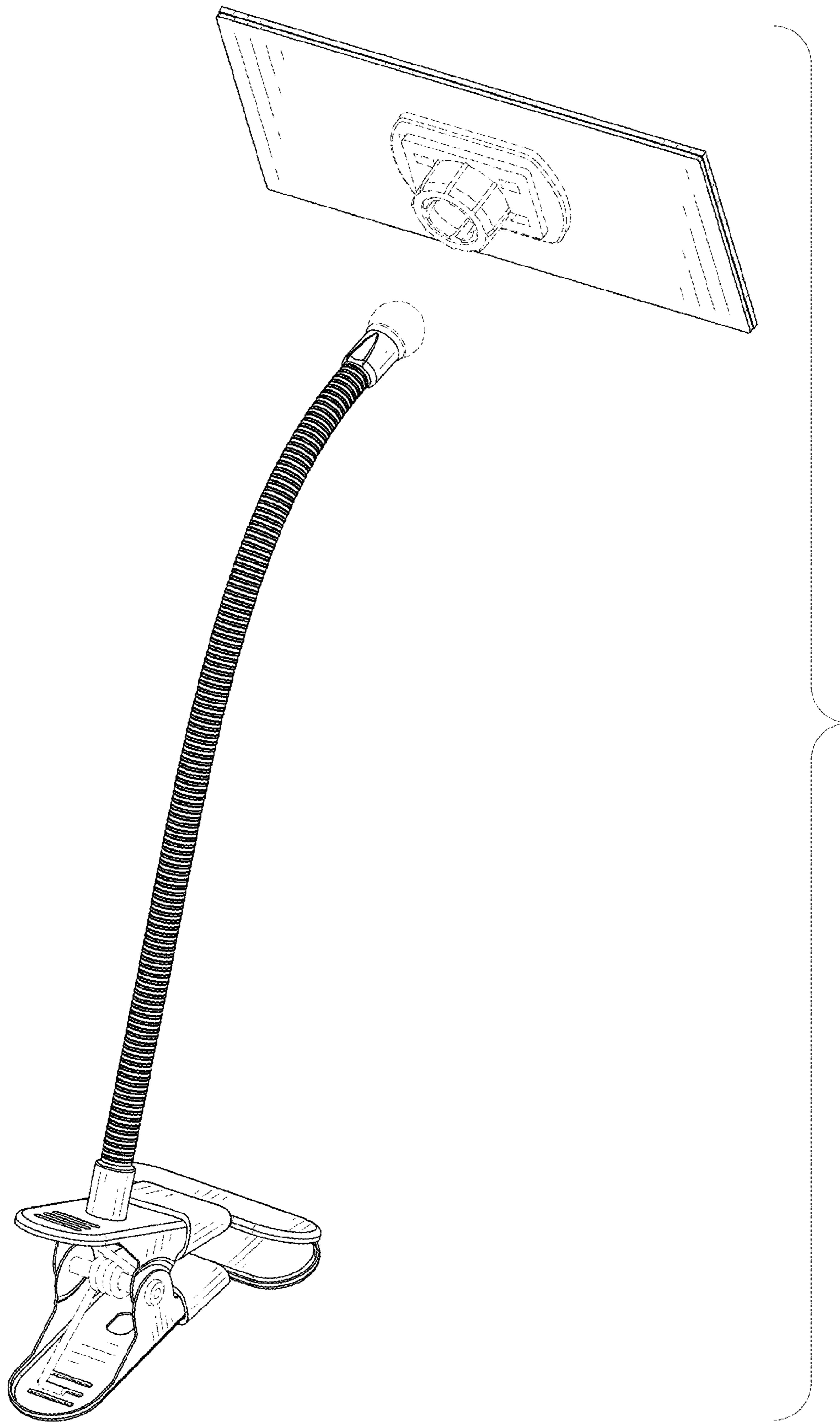


FIG. 11

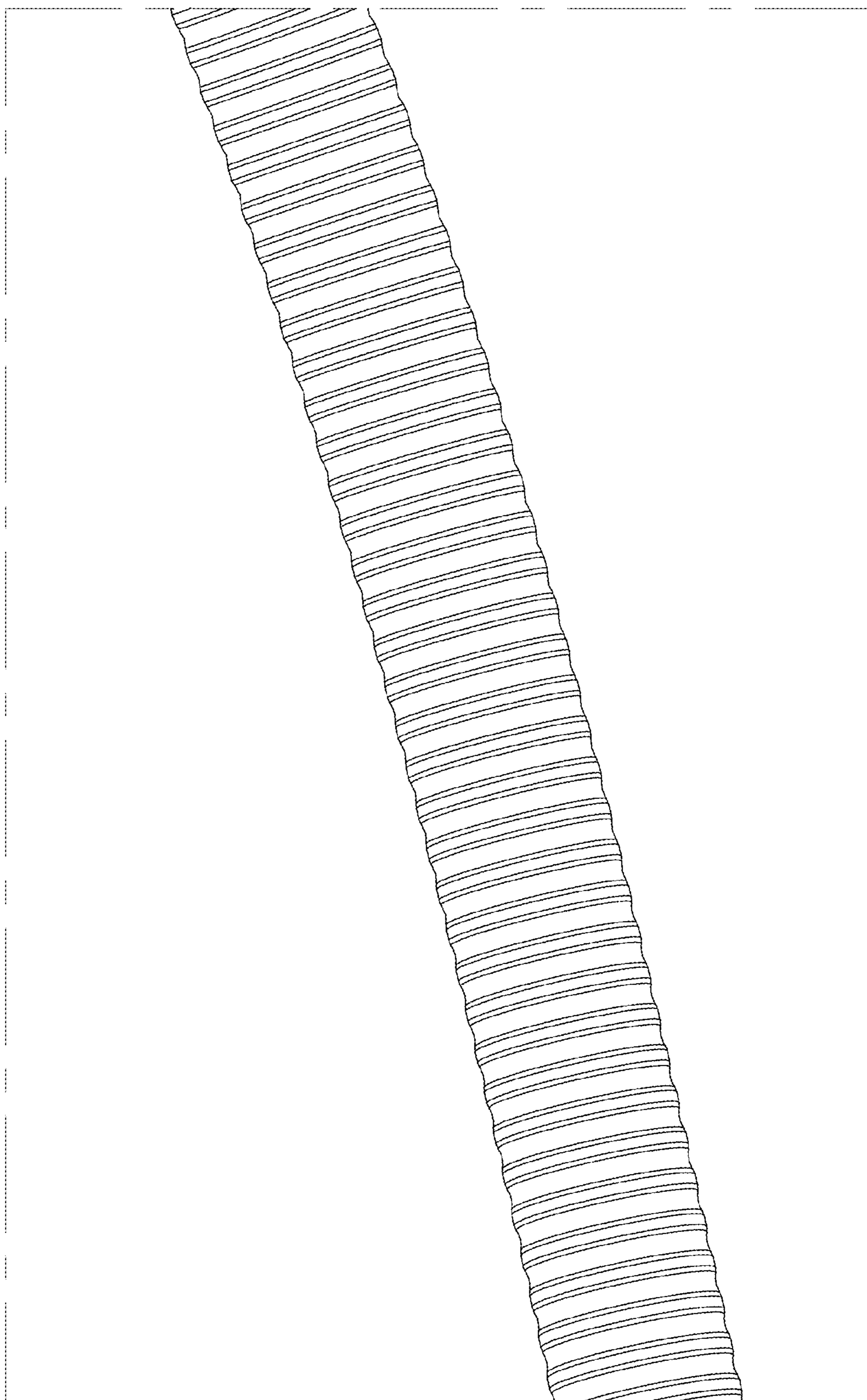


FIG. 12