



US00D879483S

(12) **United States Design Patent**
Yang

(10) **Patent No.:** **US D879,483 S**
(45) **Date of Patent:** **** Mar. 31, 2020**

- (54) **MAKEUP MIRROR**
- (71) Applicant: **DONGGUAN POWERME PLASTIC MFG. CO., LTD.**, Dongguan (CN)
- (72) Inventor: **Guowei Yang**, Dongguan (CN)
- (73) Assignee: **DONGGUAN POWERME PLASTIC MFG. CO., LTD.**, Dongguan (CN)
- (**) Term: **15 Years**
- (21) Appl. No.: **29/712,779**
- (22) Filed: **Nov. 12, 2019**
- (51) **LOC (12) Cl.** **06-06**
- (52) **U.S. Cl.**
USPC **D6/312**
- (58) **Field of Classification Search**
USPC D6/300-314
CPC ... A47G 1/00; A47G 1/02; A47G 1/06; A47G 1/0616; A47G 1/14; A47G 1/141; A45D 42/00; A45D 42/08; A45D 42/14; A45D 42/16; A45D 42/10
See application file for complete search history.

(56) **References Cited**

U.S. PATENT DOCUMENTS

D243,478 S	2/1977	Jones	
D442,371 S *	5/2001	Eberts	D6/308
D454,701 S *	3/2002	Eric	D6/308
D470,665 S *	2/2003	Harris	D6/312
D483,575 S *	12/2003	Chan	D6/310
D506,319 S *	6/2005	Chan	D6/310

D512,841 S	12/2005	Dirks	
D549,968 S *	9/2007	Pitot	D6/312
D573,799 S *	7/2008	Pitot	D6/308
D589,267 S *	3/2009	Pitot	D6/308
D625,930 S *	10/2010	Merica	D6/312
D679,101 S *	4/2013	Pitot	D6/309
D853,736 S	7/2019	Long	
2017/0164719 A1 *	6/2017	Wheeler	A45D 42/10

* cited by examiner

Primary Examiner — Deanna L Pratt

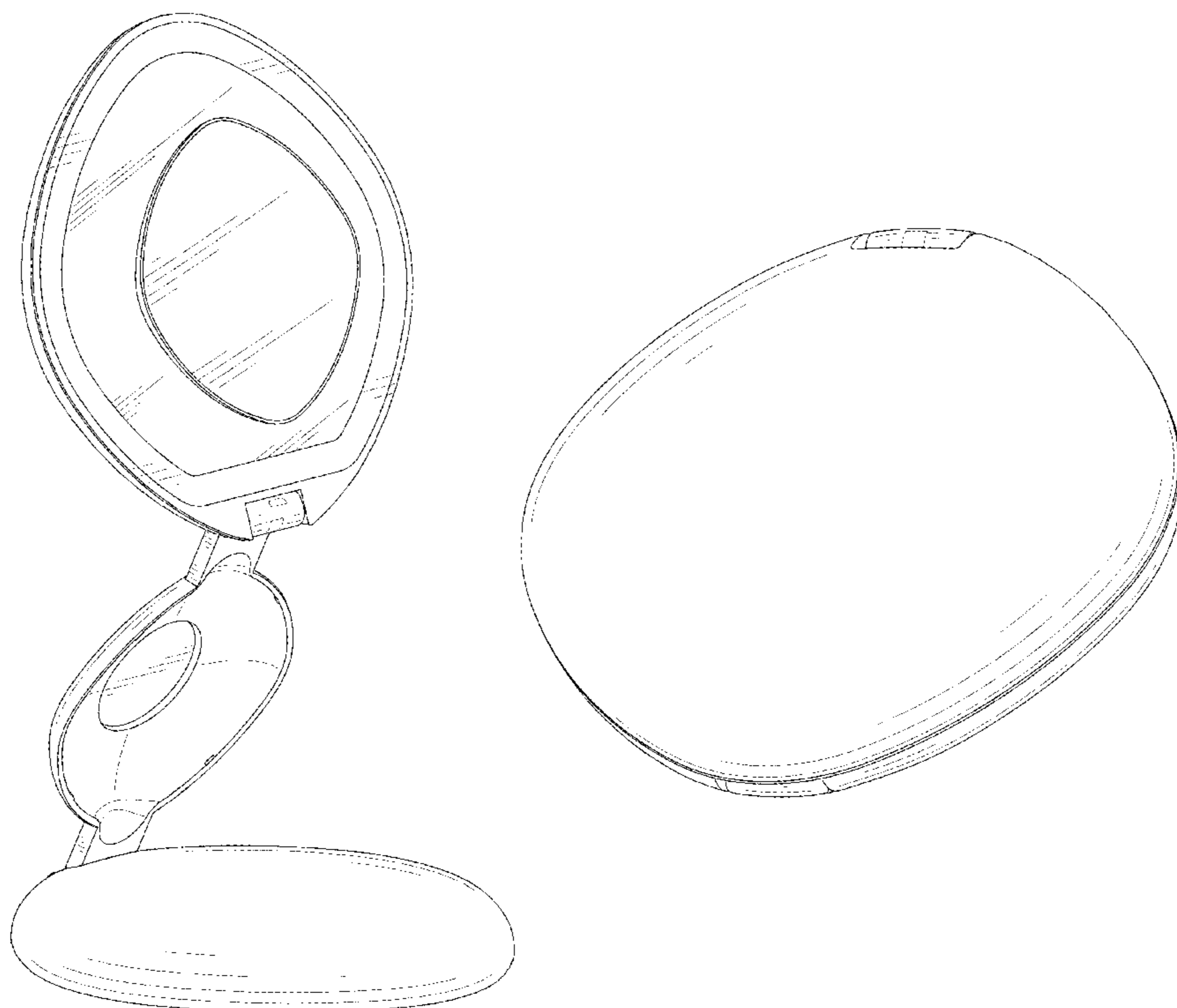
(57) **CLAIM**

The ornamental design for a makeup mirror, as shown and described.

DESCRIPTION

FIG. 1 is a perspective view of a makeup mirror showing my new design;
 FIG. 2 is another perspective view thereof;
 FIG. 3 is a front elevational view thereof;
 FIG. 4 is a rear elevational view thereof;
 FIG. 5 is a left side elevational view thereof;
 FIG. 6 is a right side elevational view thereof;
 FIG. 7 is a top plan view thereof;
 FIG. 8 is a bottom plan view thereof;
 FIG. 9 is a perspective of the makeup mirror where the makeup mirror is in a first configuration of use;
 FIG. 10 is a perspective of the makeup mirror where the makeup mirror is in a second configuration of use; and,
 FIG. 11 is a perspective of the makeup mirror where the makeup mirror is in a closed state.
 The broken lines in the drawings depict portions of the makeup mirror that form no part of the claimed design.

1 Claim, 11 Drawing Sheets



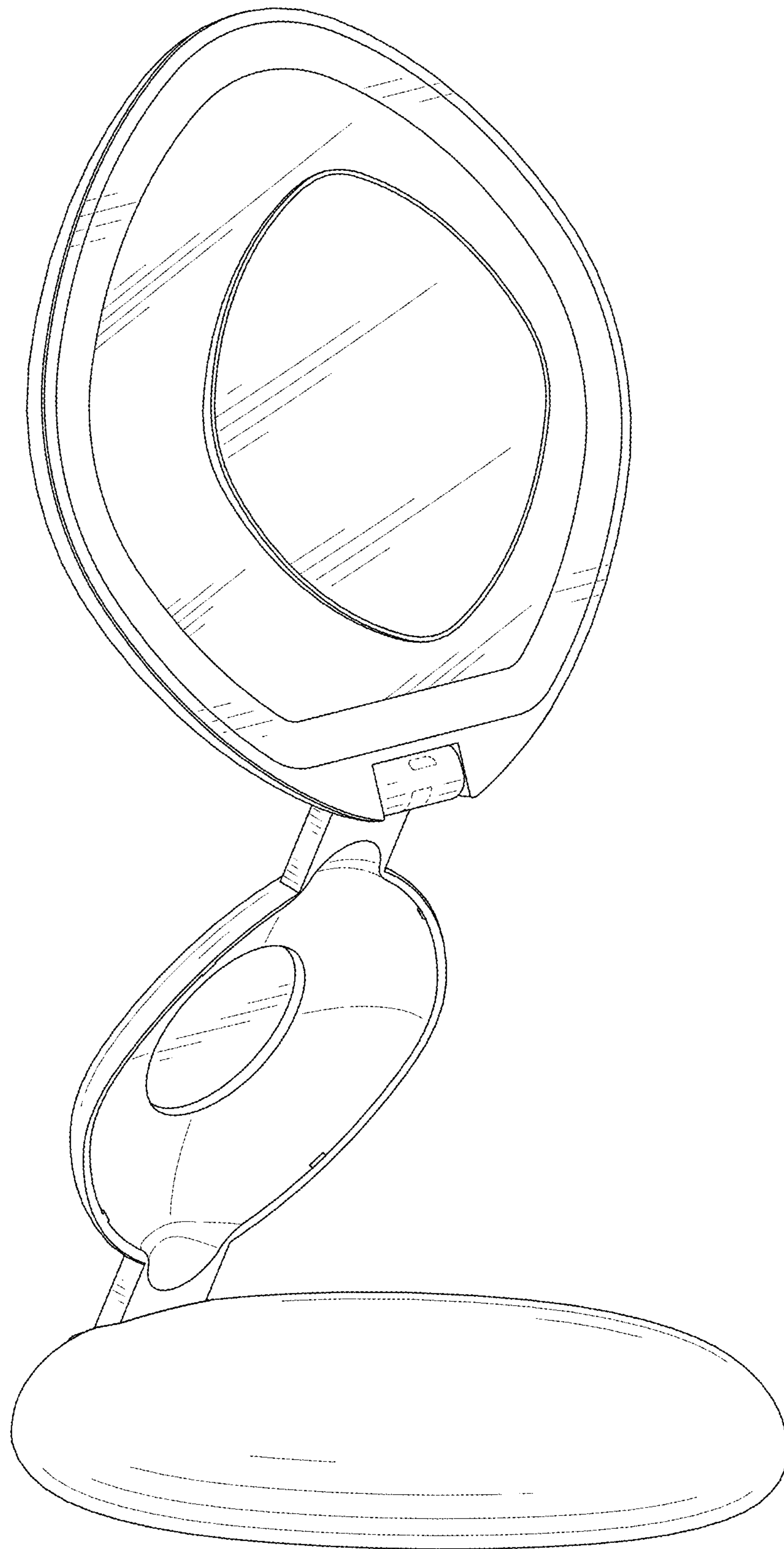


FIG. 1

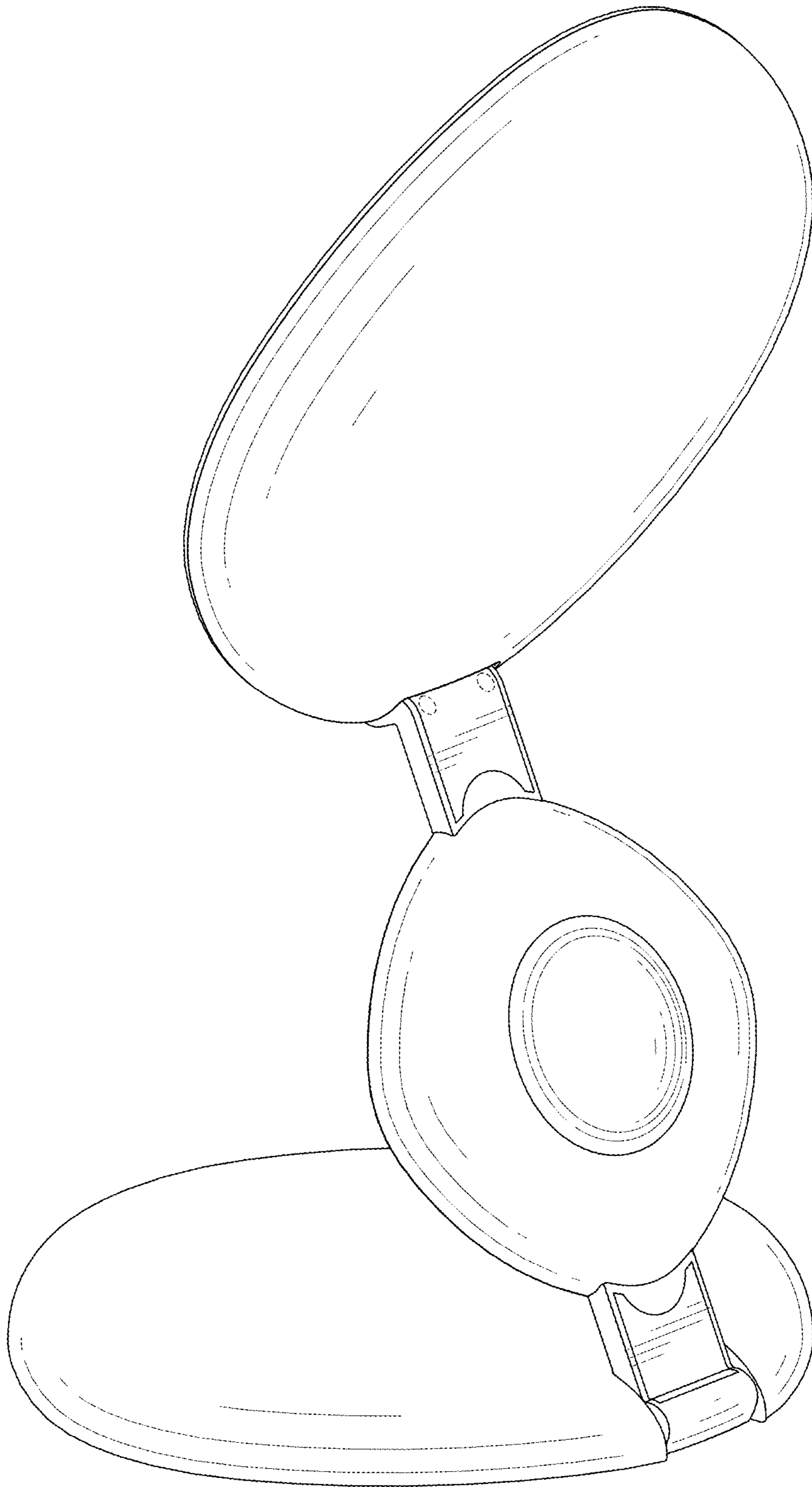


FIG. 2

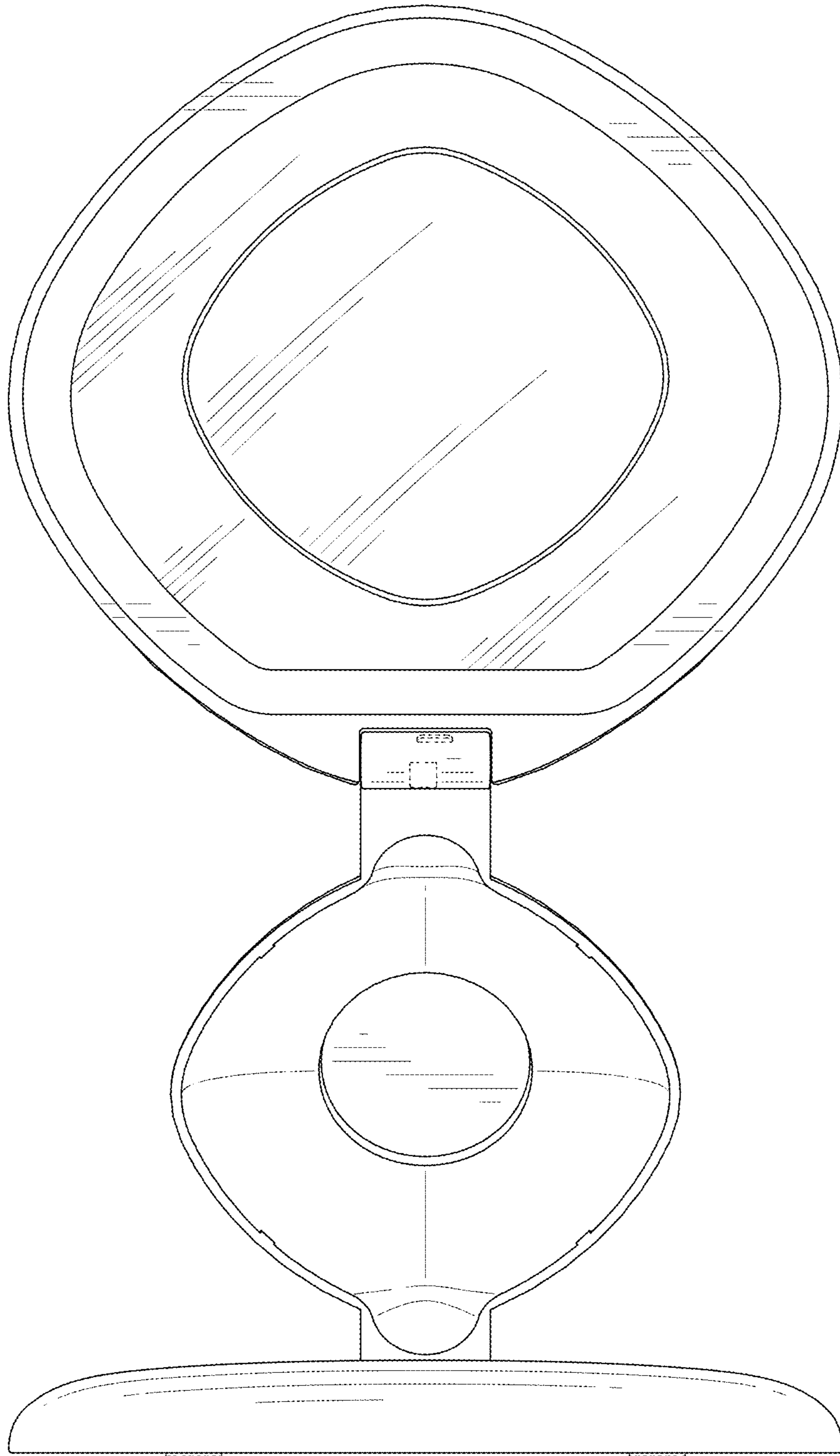


FIG. 3

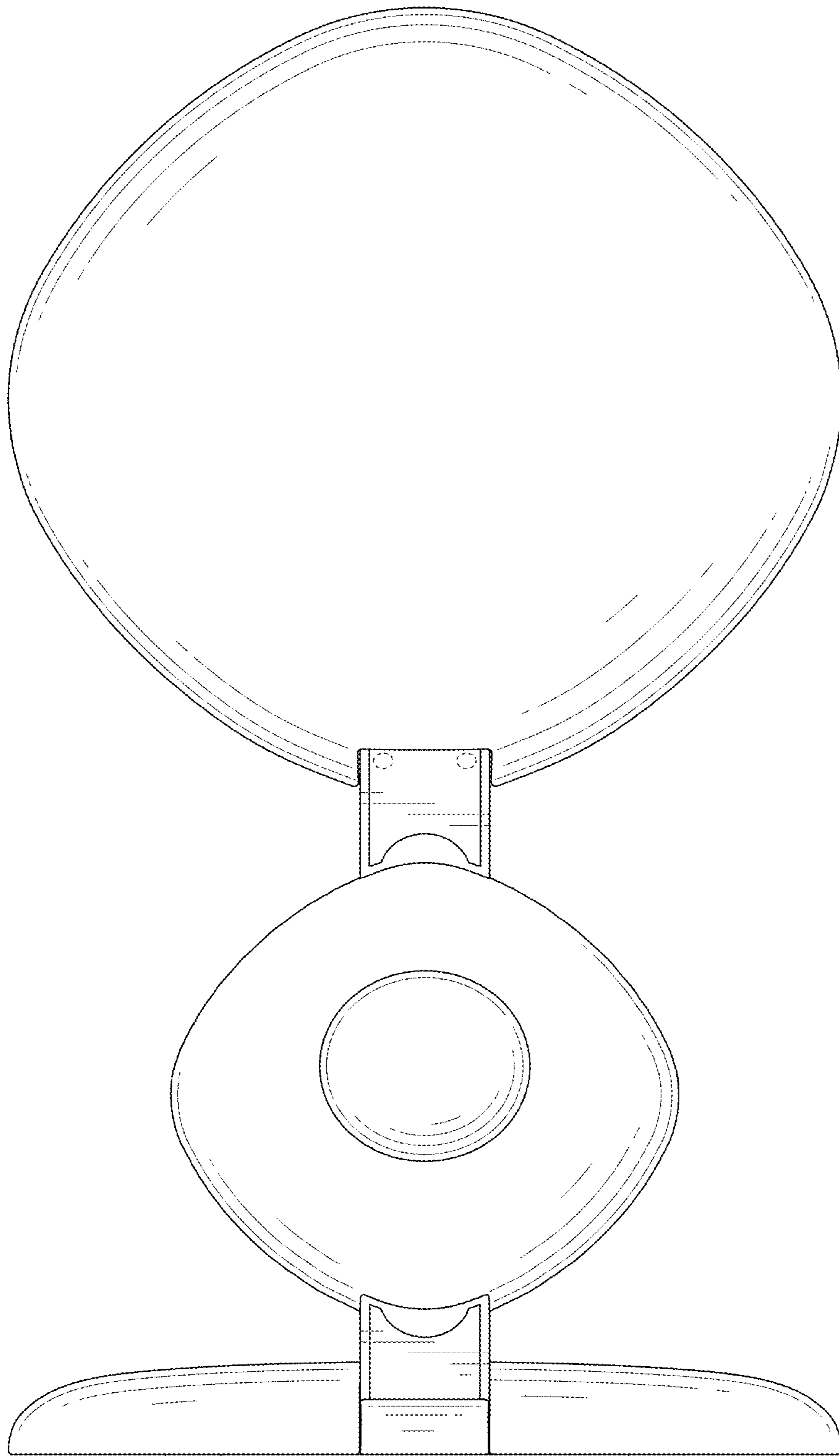


FIG. 4

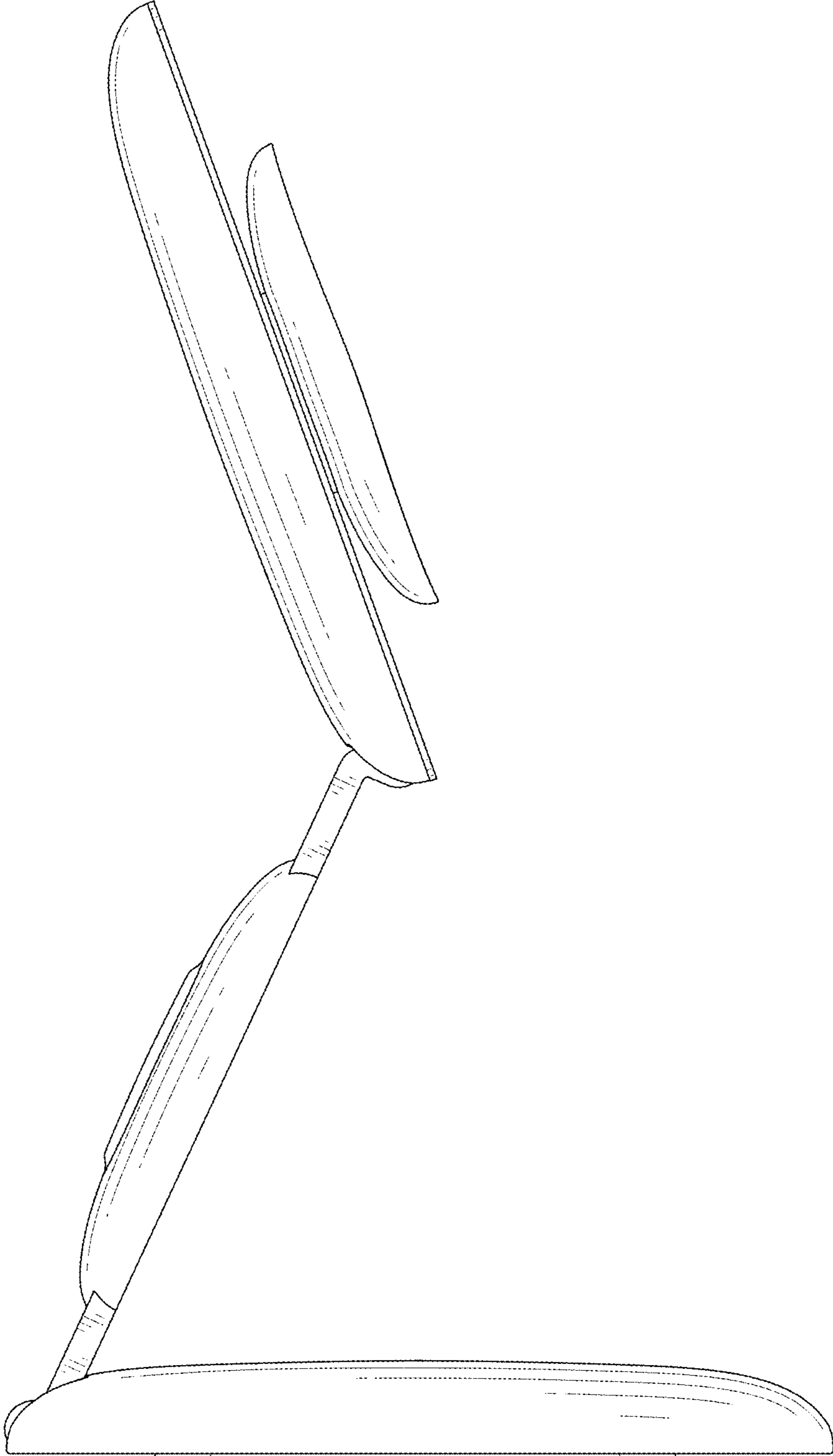


FIG. 5

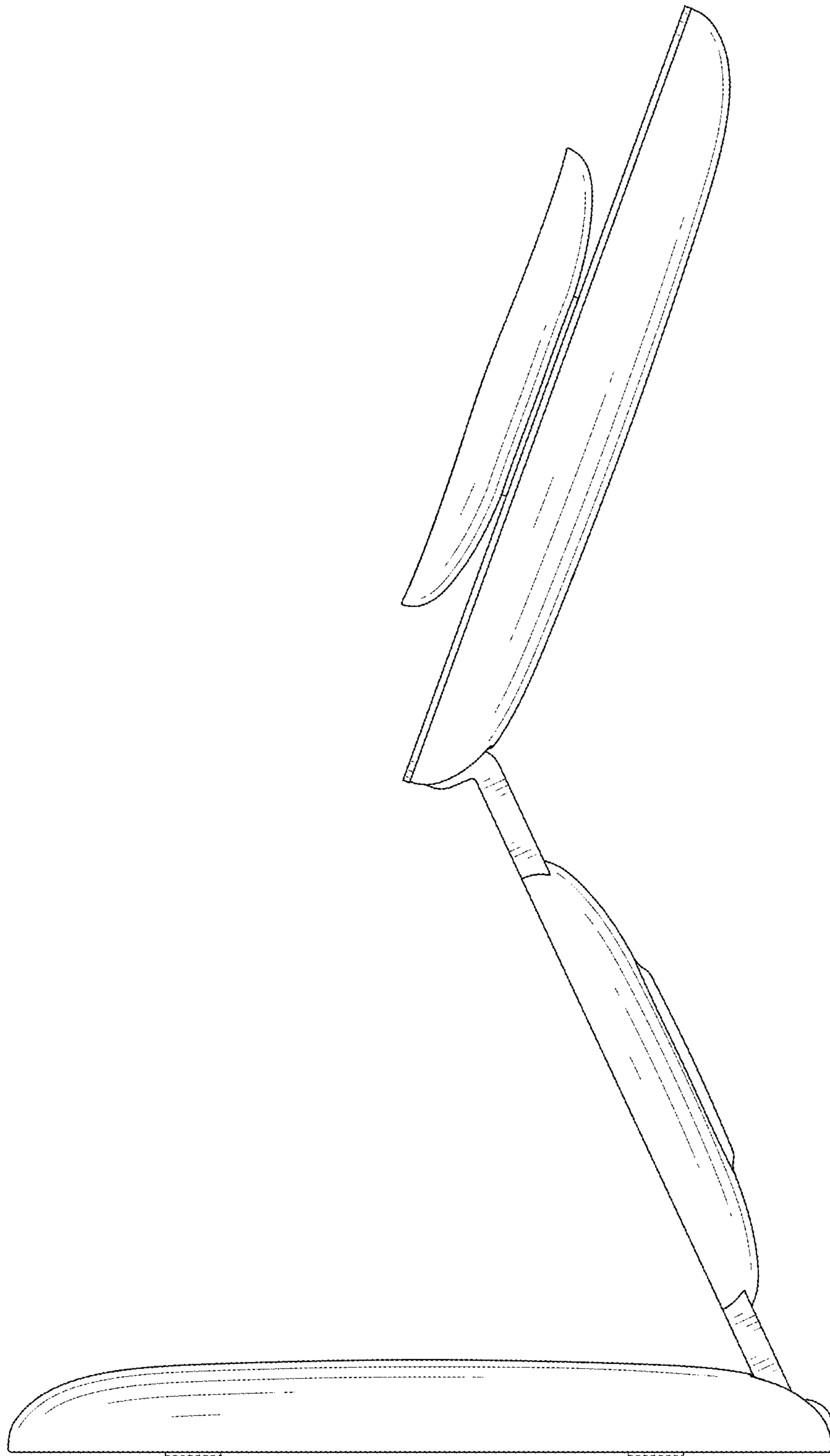


FIG. 6

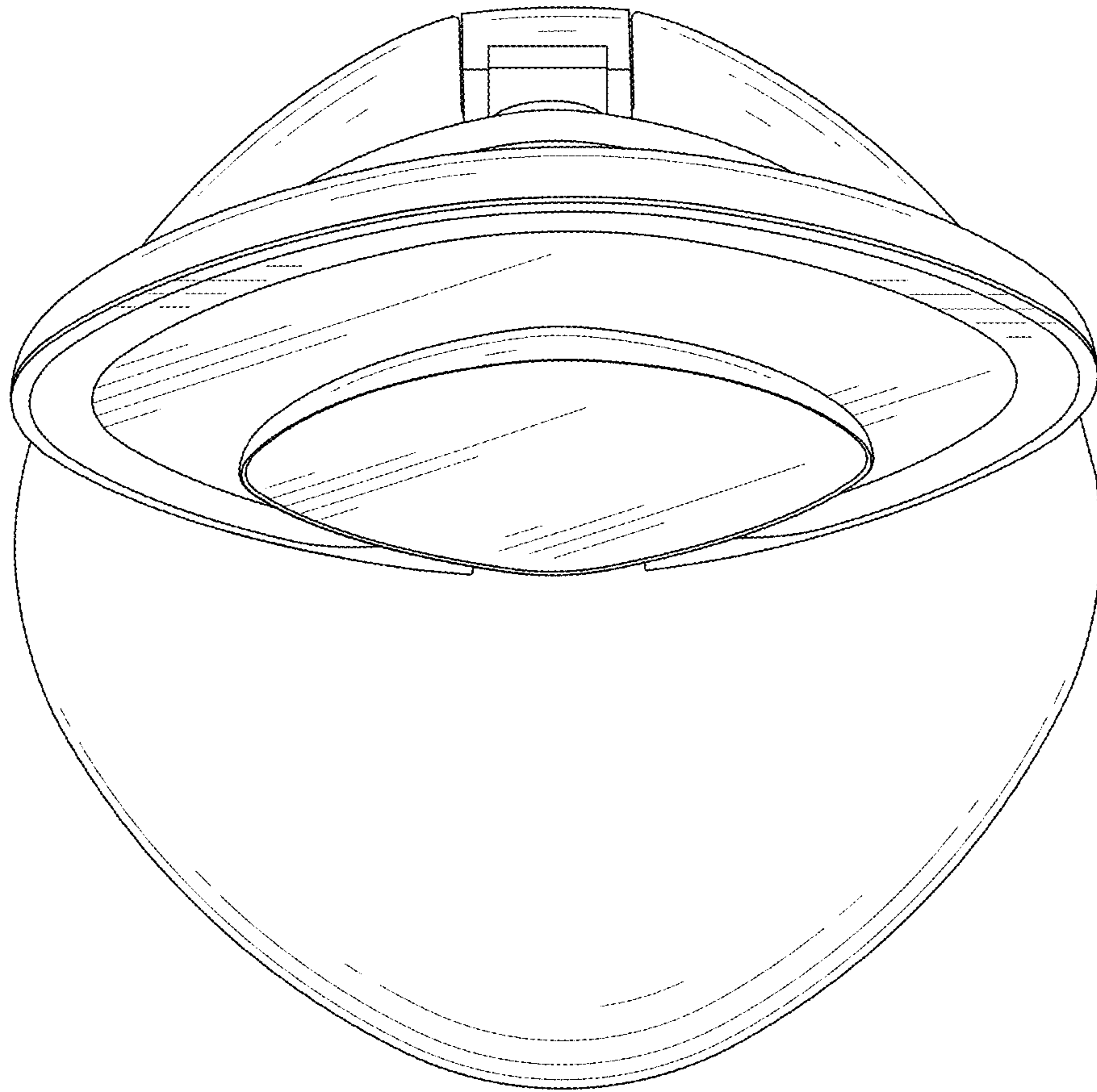


FIG. 7

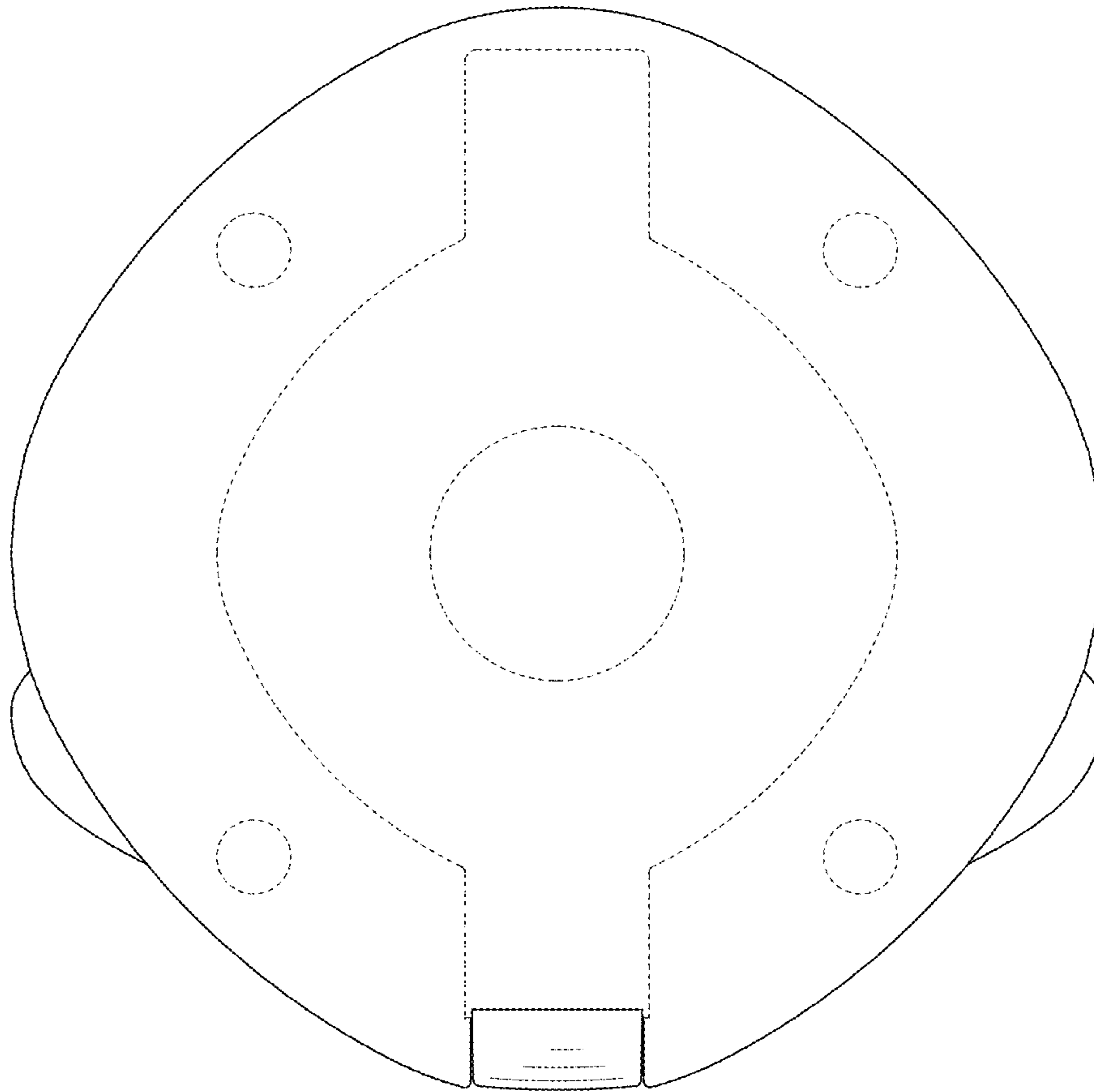


FIG. 8

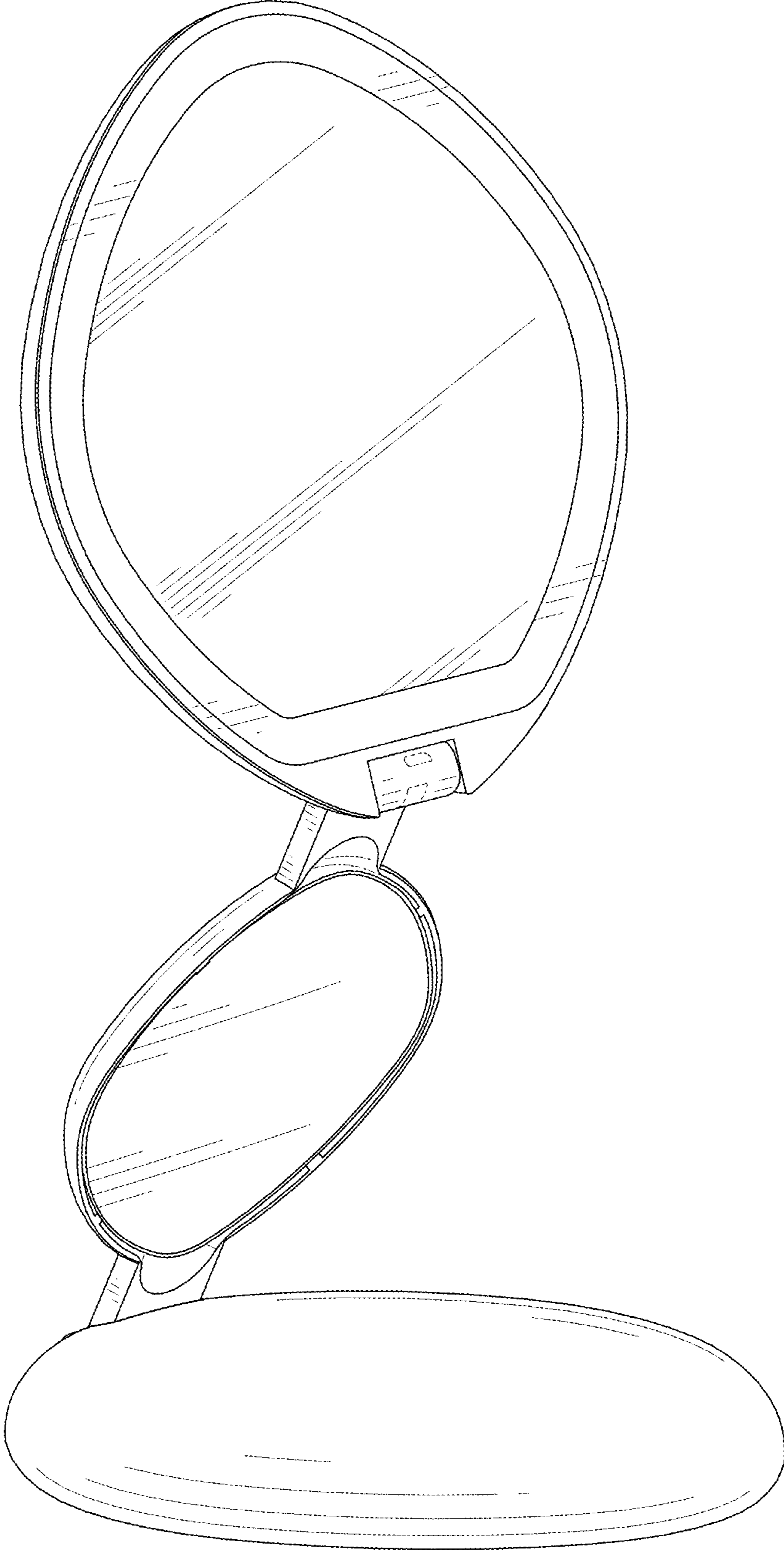


FIG. 9

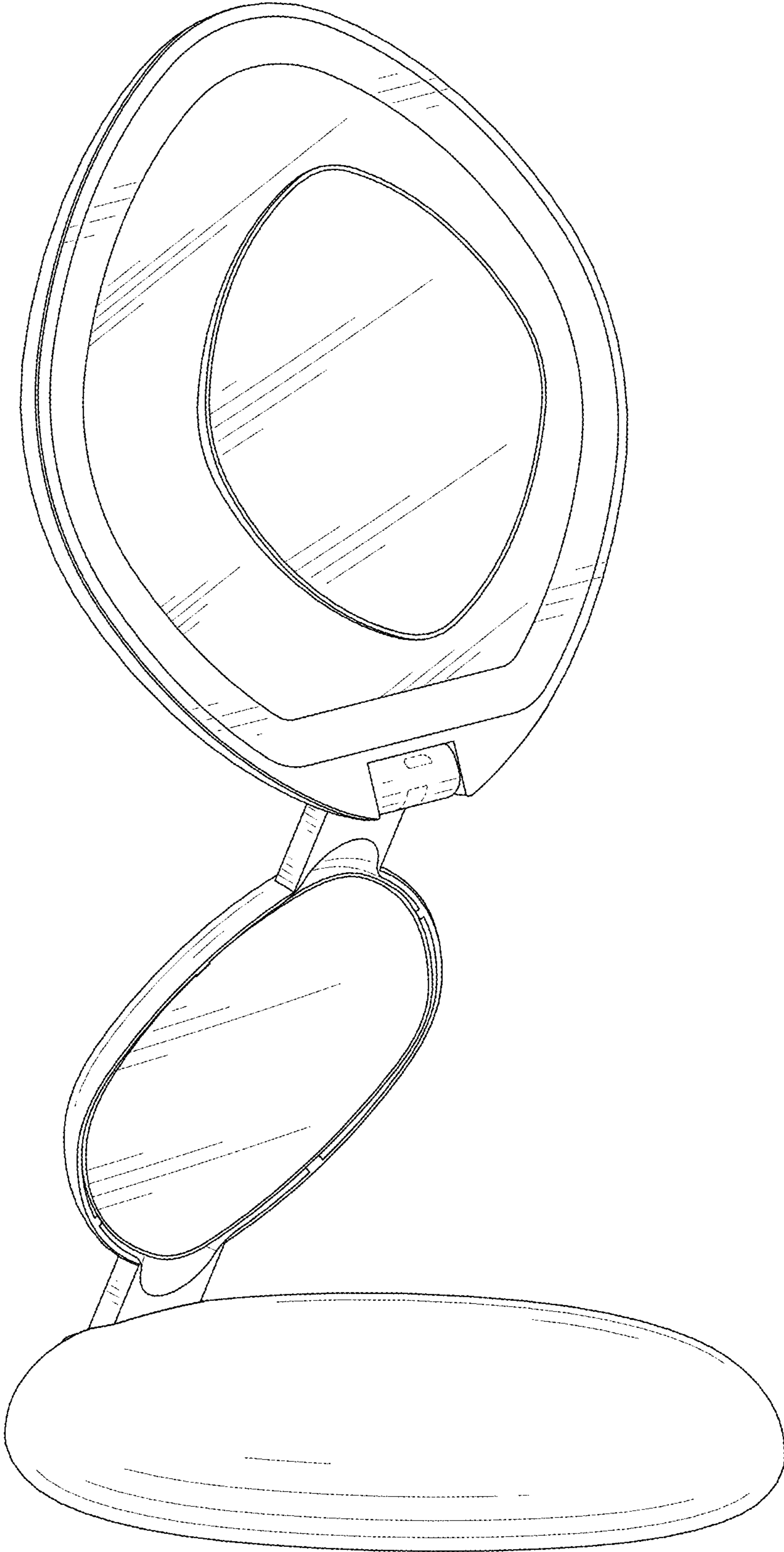


FIG. 10

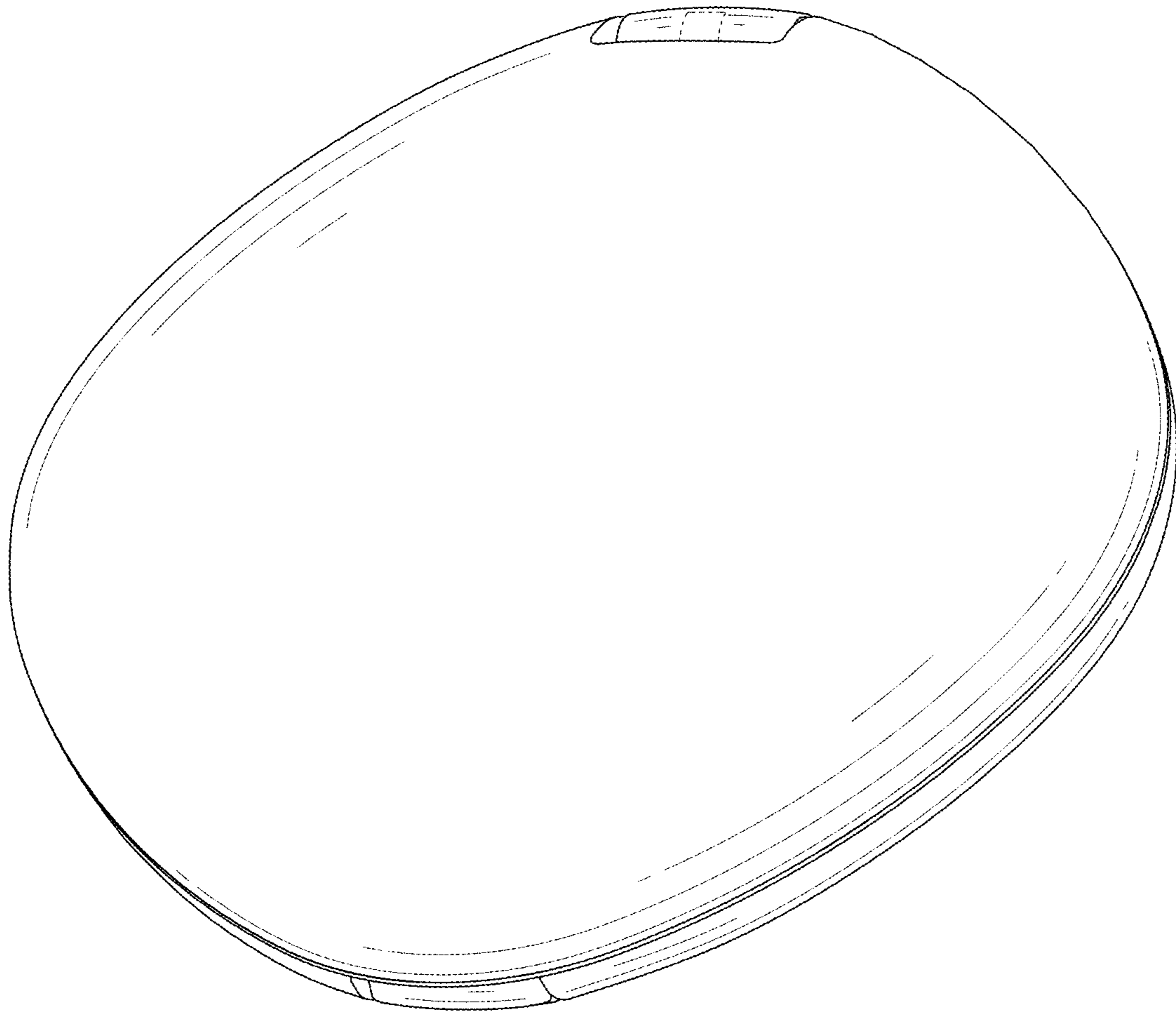


FIG. 11