

US00D879482S

(12) **United States Design Patent**
Yang

(10) **Patent No.:** **US D879,482 S**

(45) **Date of Patent:** **** Mar. 31, 2020**

(54) **MAKEUP MIRROR**

(71) Applicant: **DONGGUAN POWERME PLASTIC MFG. CO., LTD.**, Dongguan (CN)

(72) Inventor: **Guowei Yang**, Dongguan (CN)

(73) Assignee: **DONGGUAN POWERME PLASTIC MFG. CO., LTD.**, Dongguan (CN)

(**) Term: **15 Years**

(21) Appl. No.: **29/712,288**

(22) Filed: **Nov. 7, 2019**

(51) **LOC (12) Cl.** **06-06**

(52) **U.S. Cl.**
USPC **D6/309**

(58) **Field of Classification Search**
USPC D6/300-314
CPC ... A47G 1/00; A47G 1/02; A47G 1/06; A47G 1/0616; A47G 1/14; A47G 1/141; A45D 42/00; A45D 42/08; A45D 42/14; A45D 42/16; A45D 42/10

See application file for complete search history.

(56) **References Cited**

U.S. PATENT DOCUMENTS

3,476,927 A * 11/1969 Rothman F21V 33/00
362/129
D243,476 S 2/1977 Jones

D403,868 S * 1/1999 Smal D6/308
D512,841 S 12/2005 Dirks
D602,264 S * 10/2009 Sheridoni D6/310
D737,060 S * 8/2015 Yang D6/309
D830,070 S * 10/2018 Liu D6/309
D840,699 S * 2/2019 Xie D6/309
D850,125 S * 6/2019 Wang D6/309
D853,736 S 7/2019 Long
D865,375 S * 11/2019 Yang D6/310
D874,161 S * 2/2020 Yang D6/309
2019/0003699 A1 * 1/2019 Mondora F21V 21/30

* cited by examiner

Primary Examiner — Deanna L Pratt

(57) **CLAIM**

The ornamental design for a makeup mirror, as shown and described.

DESCRIPTION

FIG. 1 is a perspective view of a makeup mirror showing my new design;

FIG. 2 is a front elevational view thereof;

FIG. 3 is a rear elevational view thereof;

FIG. 4 is a left side elevational view thereof;

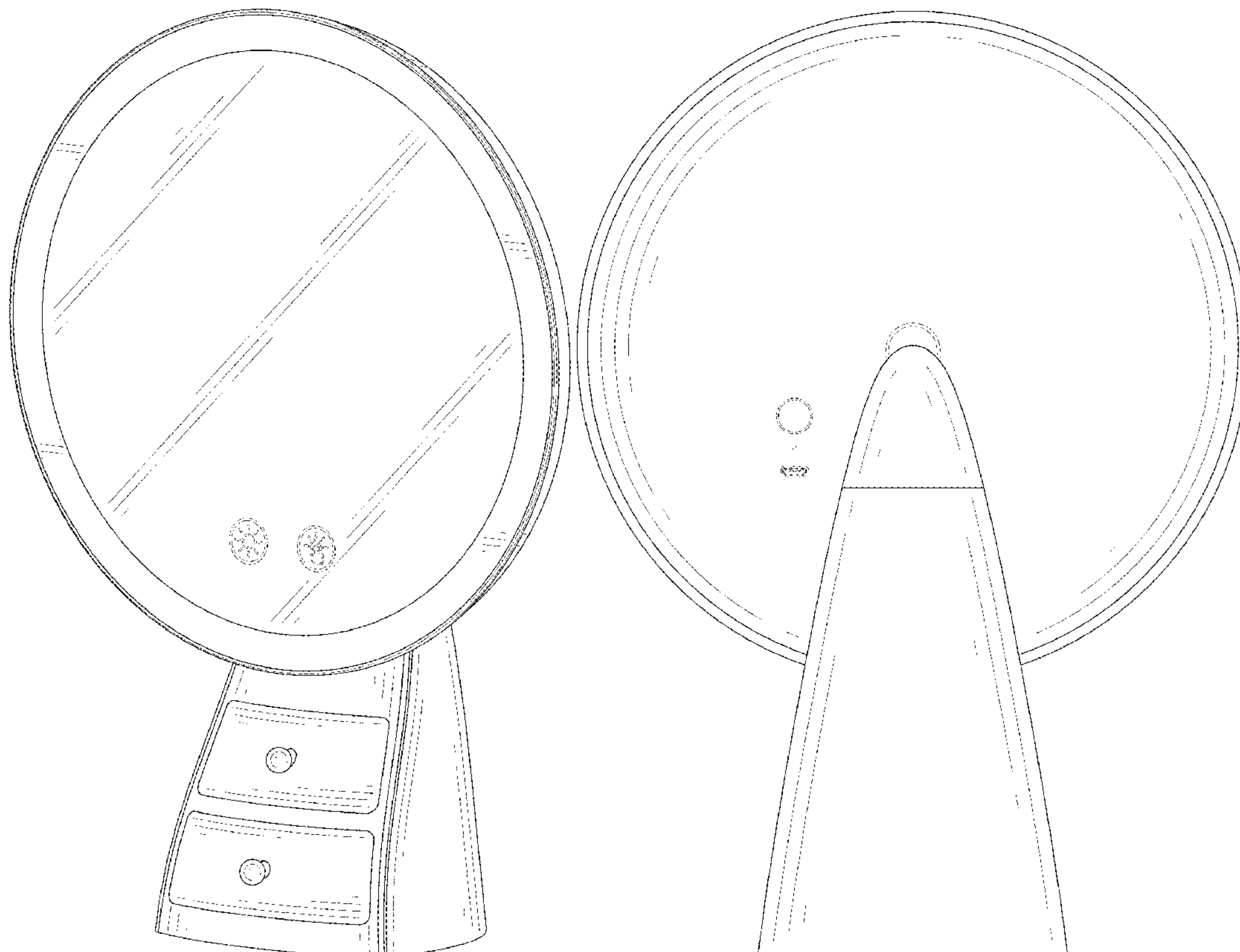
FIG. 5 is a right side elevational view thereof;

FIG. 6 is a top plan view thereof; and,

FIG. 7 is a bottom plan view thereof.

The broken lines in the drawings depict portions of the makeup mirror that form no part of the claimed design.

1 Claim, 7 Drawing Sheets



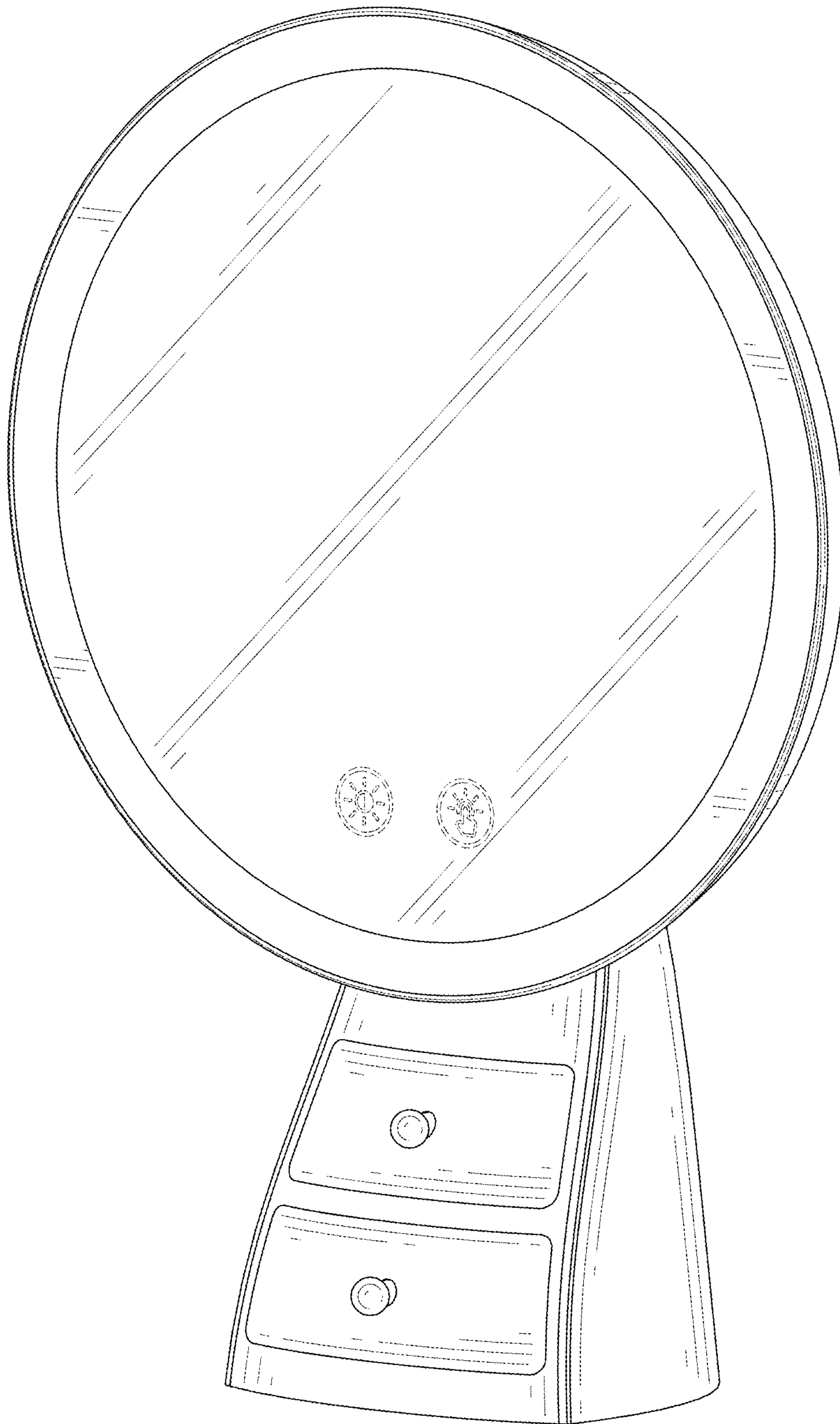


FIG. 1

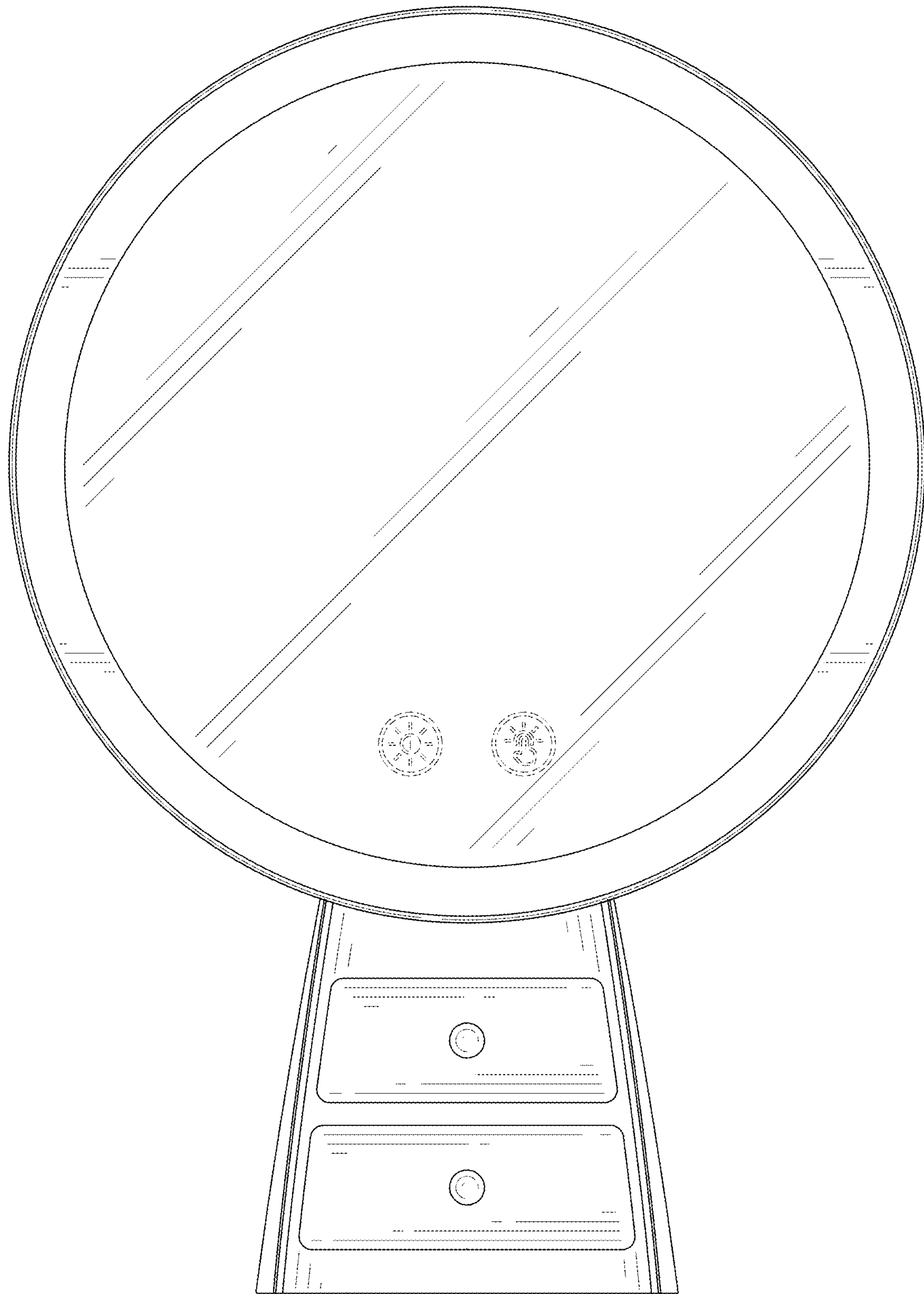


FIG. 2

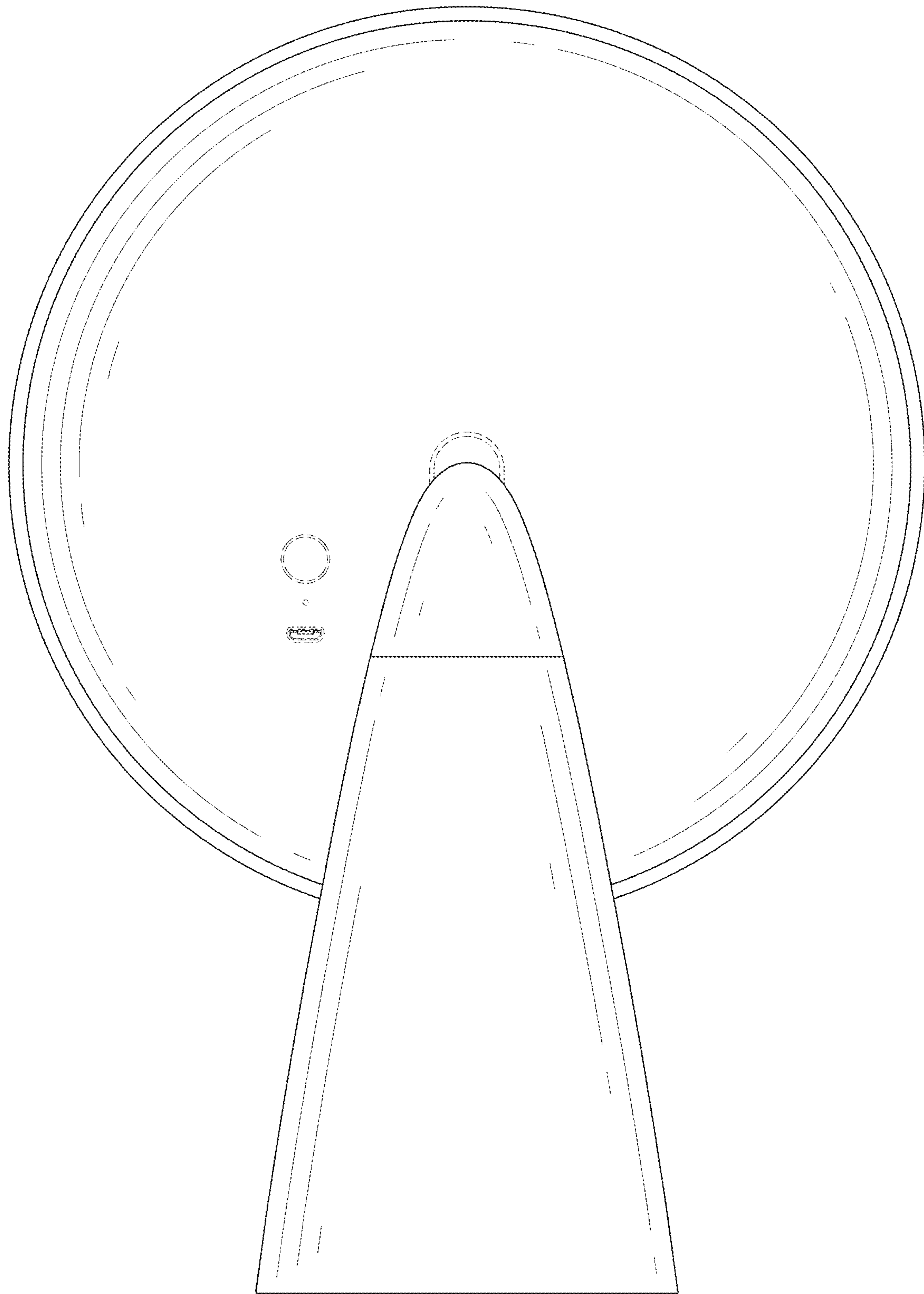


FIG. 3

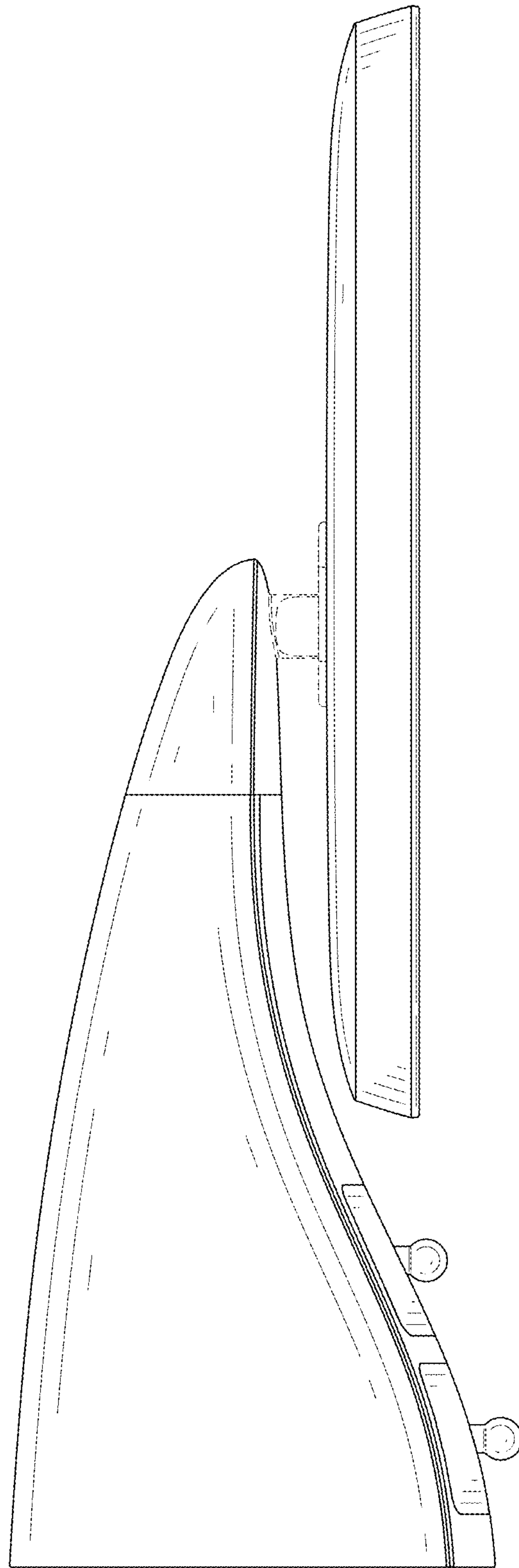


FIG. 4

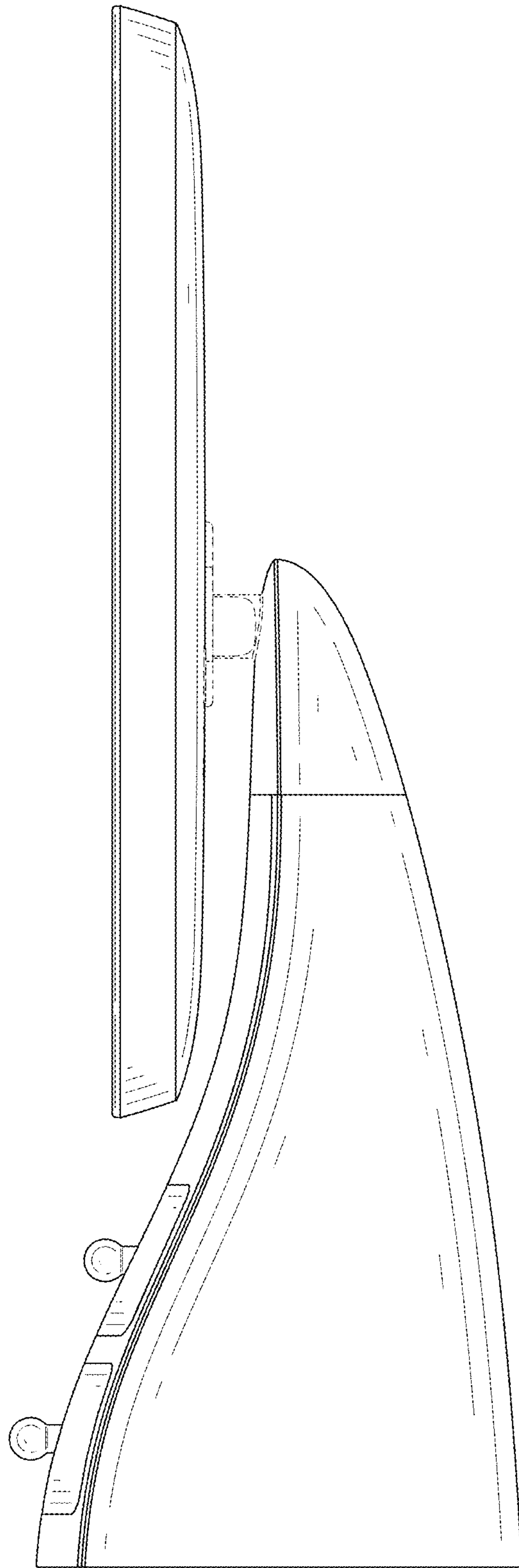


FIG. 5

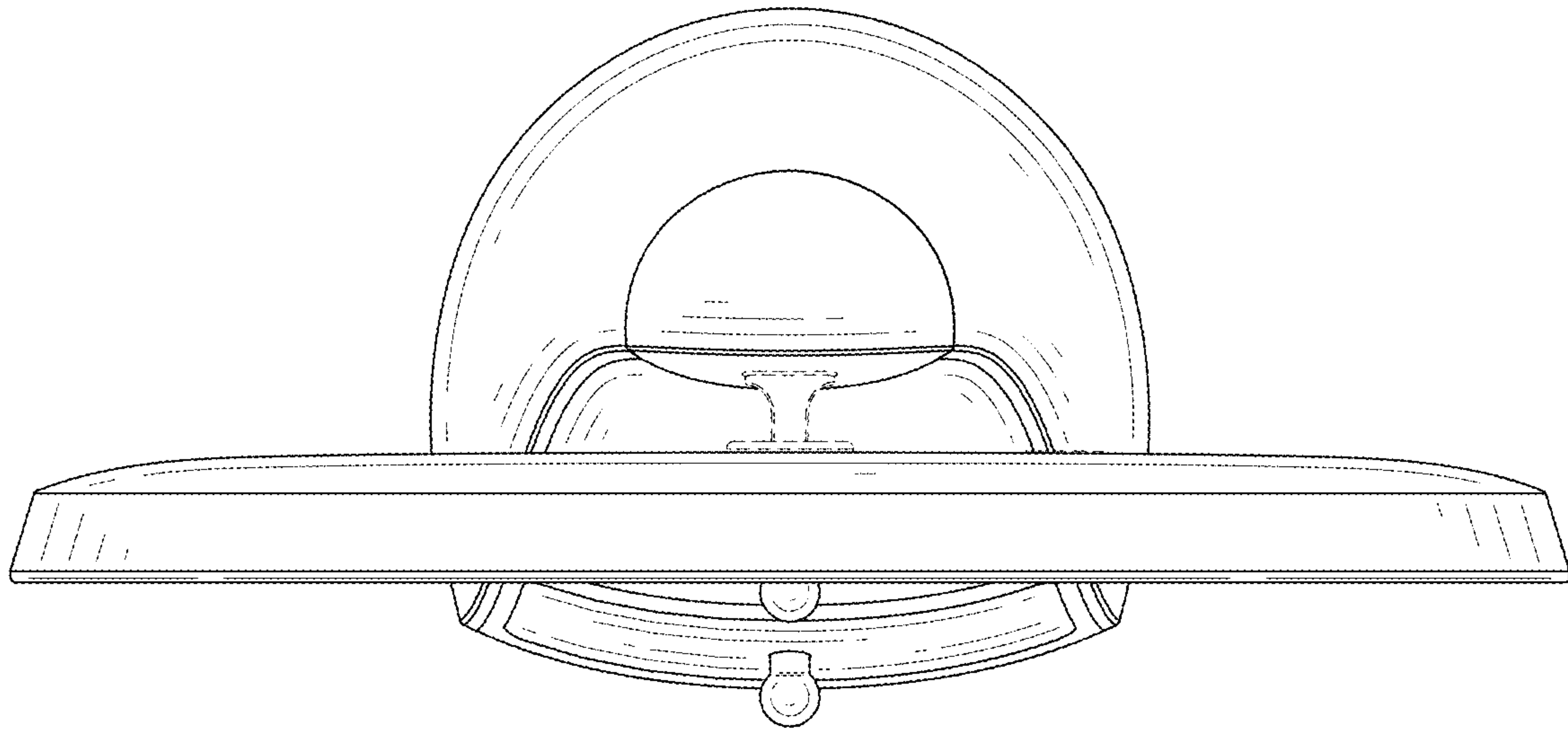


FIG. 6

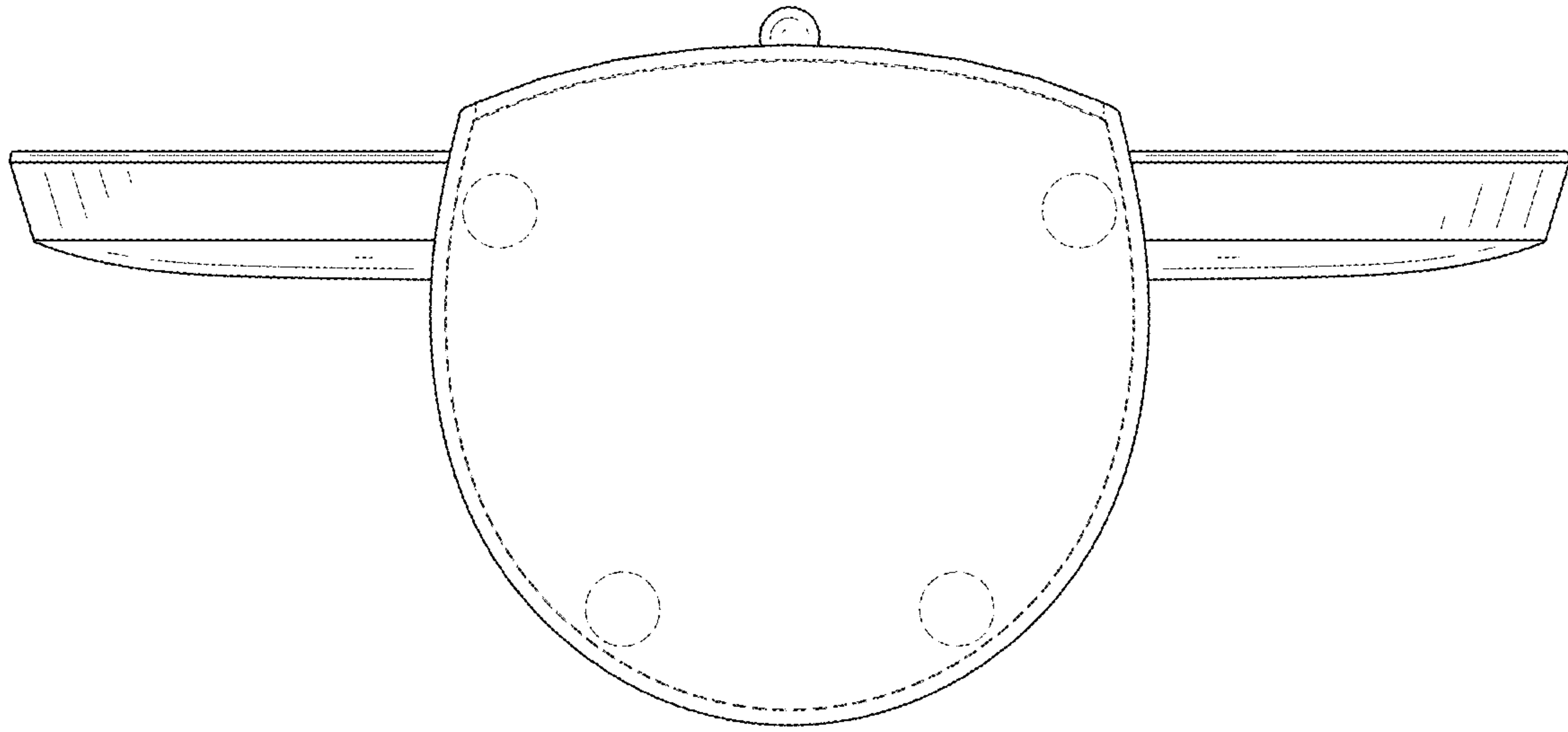


FIG. 7