



US00D879481S

(12) **United States Design Patent**
Yang

(10) **Patent No.:** **US D879,481 S**

(45) **Date of Patent:** **** Mar. 31, 2020**

(54) **MAKEUP MIRROR**

(71) Applicant: **DONGGUAN POWERME PLASTIC MFG. CO., LTD.**, Dongguan (CN)

(72) Inventor: **Guowei Yang**, Dongguan (CN)

(73) Assignee: **DONGGUAN POWERME PLASTIC MFG. CO., LTD.**, Dongguan (CN)

(**) Term: **15 Years**

(21) Appl. No.: **29/712,287**

(22) Filed: **Nov. 7, 2019**

(51) **LOC (12) Cl.** **06-06**

(52) **U.S. Cl.**
USPC **D6/309**

(58) **Field of Classification Search**
USPC D6/300-314
CPC ... A47G 1/00; A47G 1/02; A47G 1/06; A47G 1/0616; A47G 1/14; A47G 1/141; A45D 42/00; A45D 42/08; A45D 42/14; A45D 42/16; A45D 42/10

See application file for complete search history.

(56) **References Cited**

U.S. PATENT DOCUMENTS

D243,478 S 2/1977 Jones
D425,313 S * 5/2000 Zadro D6/309

D512,841 S 12/2005 Dirks
D736,001 S * 8/2015 Yang D6/309
D801,060 S * 10/2017 Hollinger D6/309
D825,940 S * 8/2018 Liu D6/309
D846,288 S * 4/2019 Yang D6/309
D853,736 S 7/2019 Long
D873,034 S * 1/2020 Boehm D6/309
2019/0003699 A1 * 1/2019 Mondora F21V 21/30

* cited by examiner

Primary Examiner — Deanna L Pratt

(57) **CLAIM**

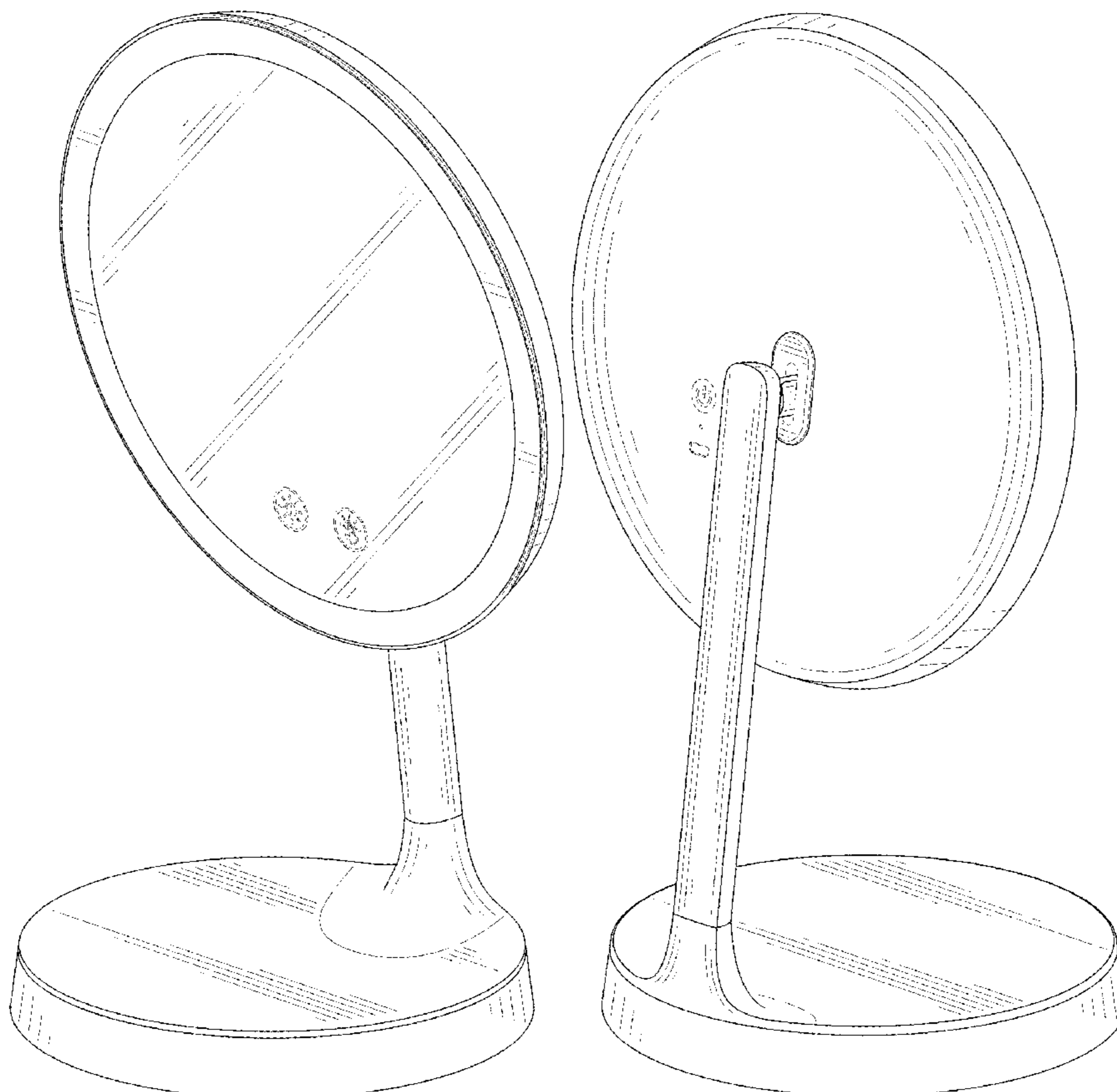
The ornamental design for a makeup mirror, as shown and described.

DESCRIPTION

FIG. 1 is a perspective view of a makeup mirror showing my new design;
FIG. 2 is another perspective view thereof;
FIG. 3 is a front elevational view thereof;
FIG. 4 is a rear elevational view thereof;
FIG. 5 is a left side elevational view thereof;
FIG. 6 is a right side elevational view thereof;
FIG. 7 is a top plan view thereof; and,
FIG. 8 is a bottom plan view thereof.

The broken lines in the drawings depict portions of the makeup mirror that form no part of the claimed design.

1 Claim, 8 Drawing Sheets



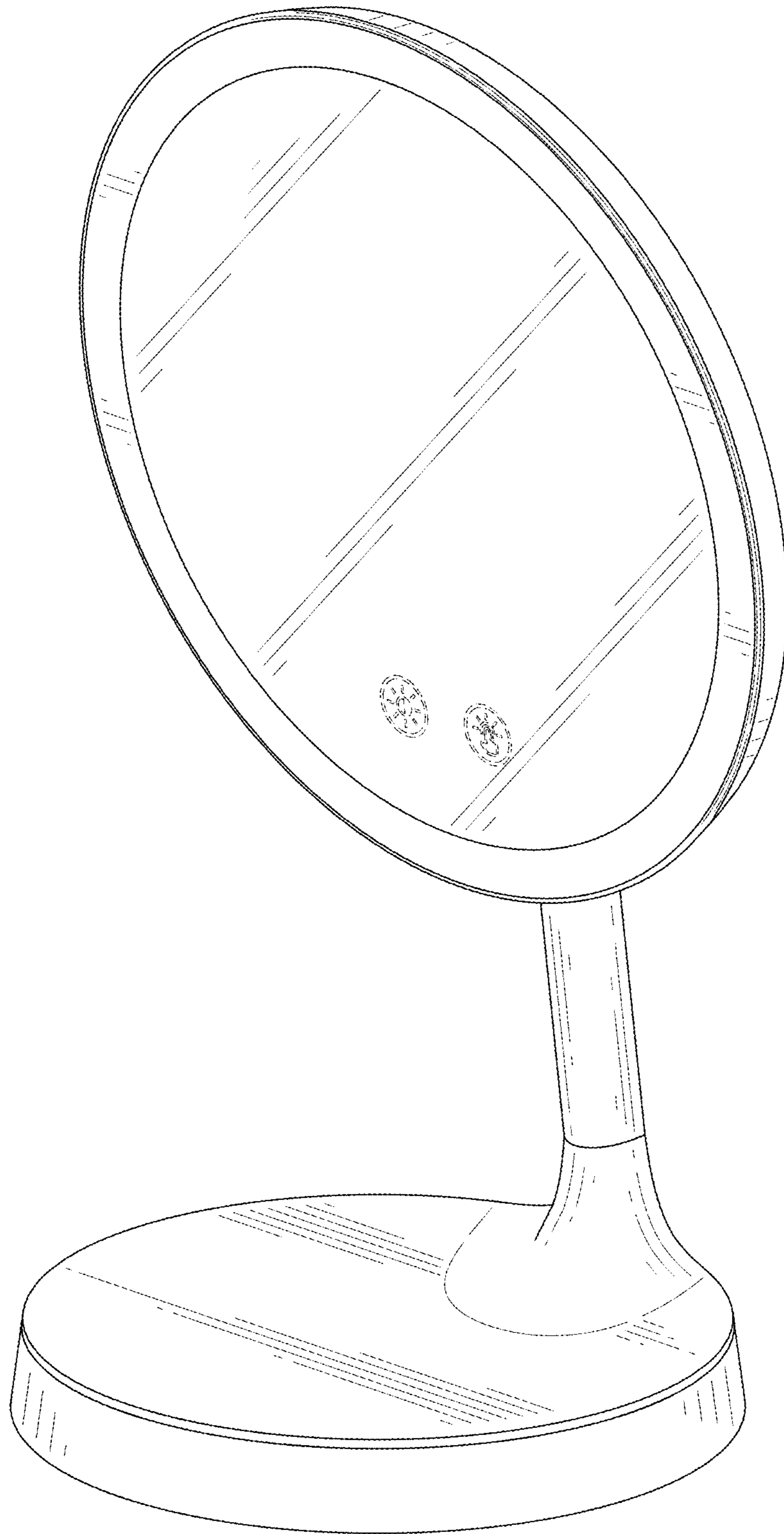


FIG. 1

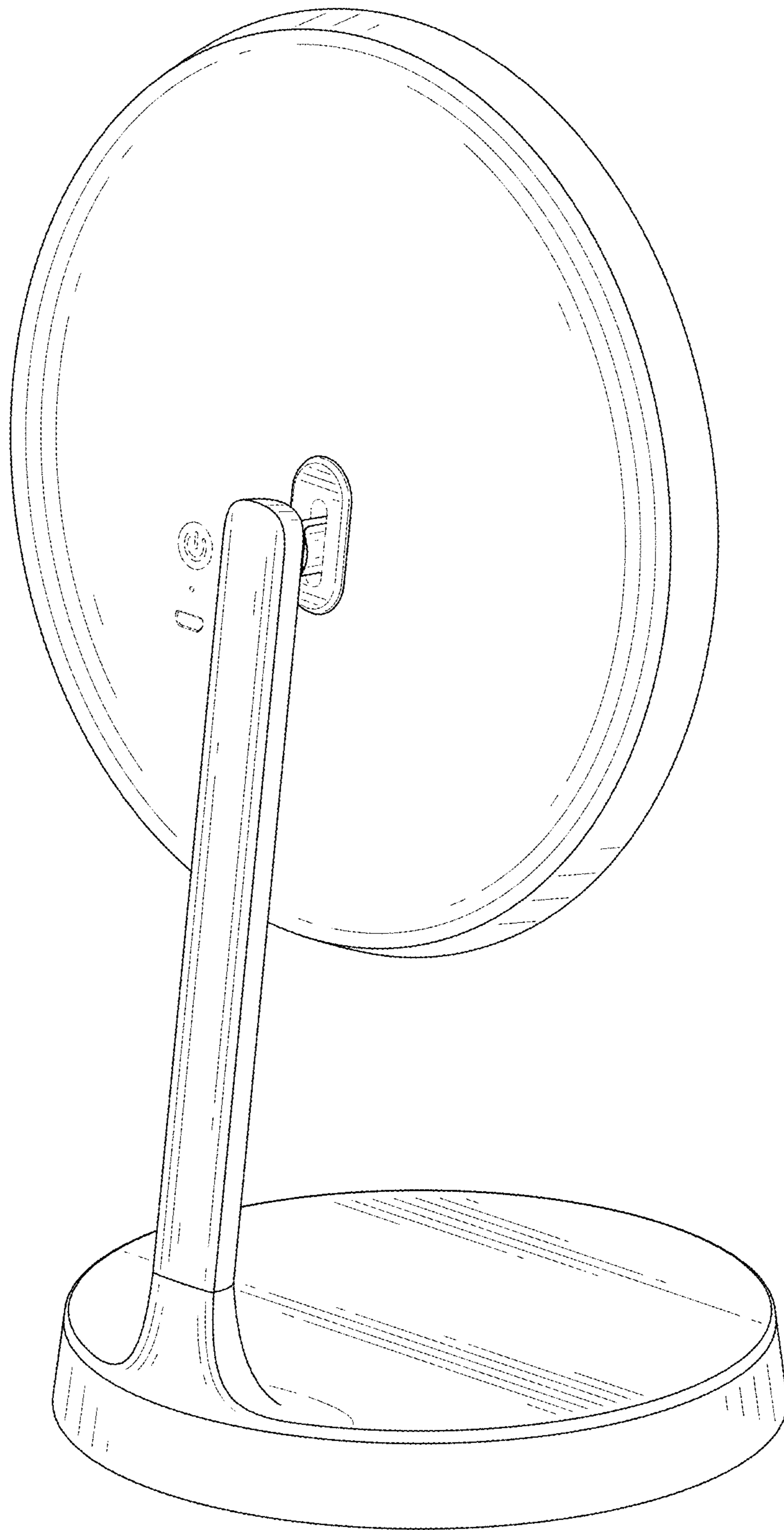


FIG. 2

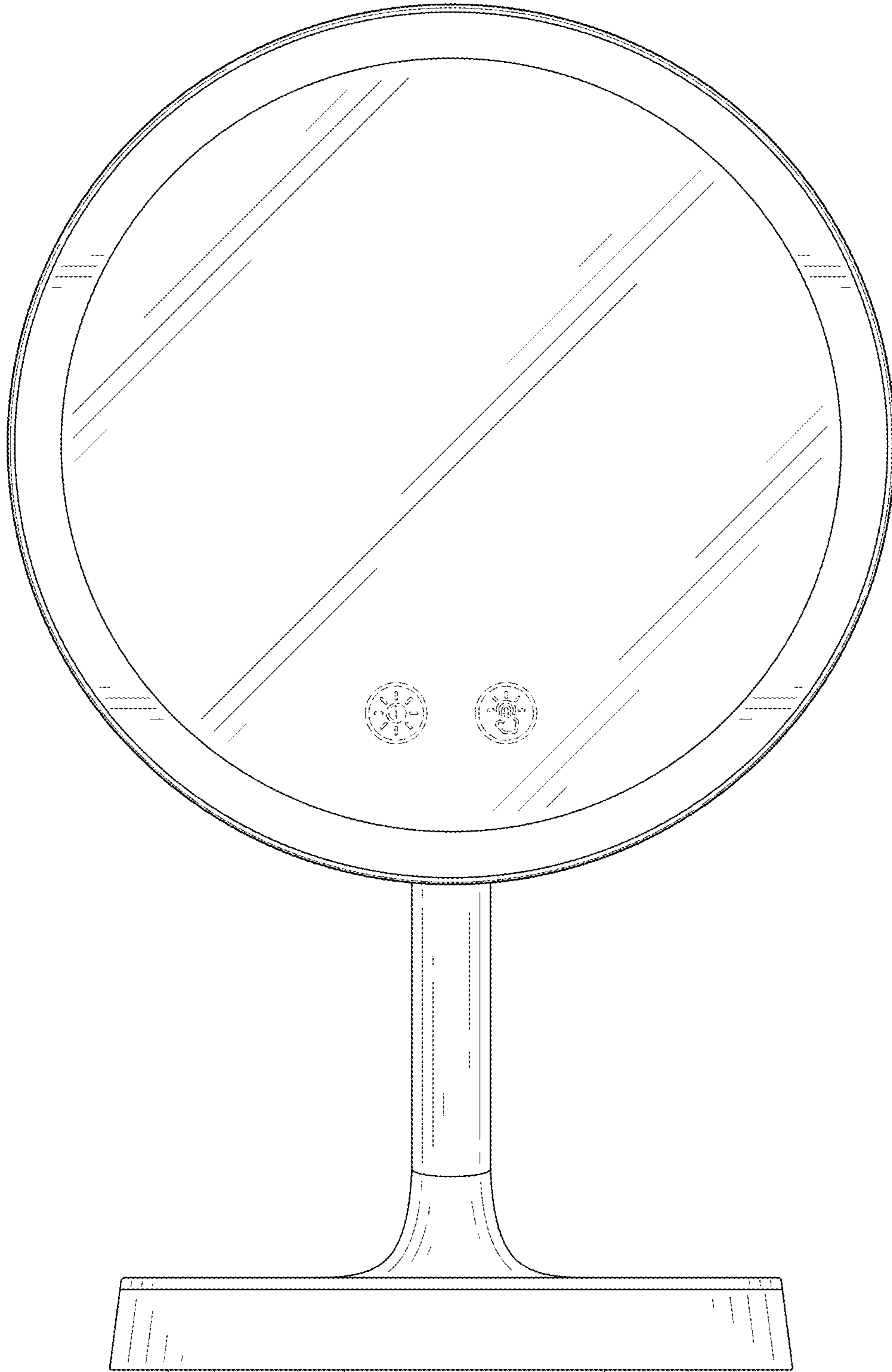


FIG. 3

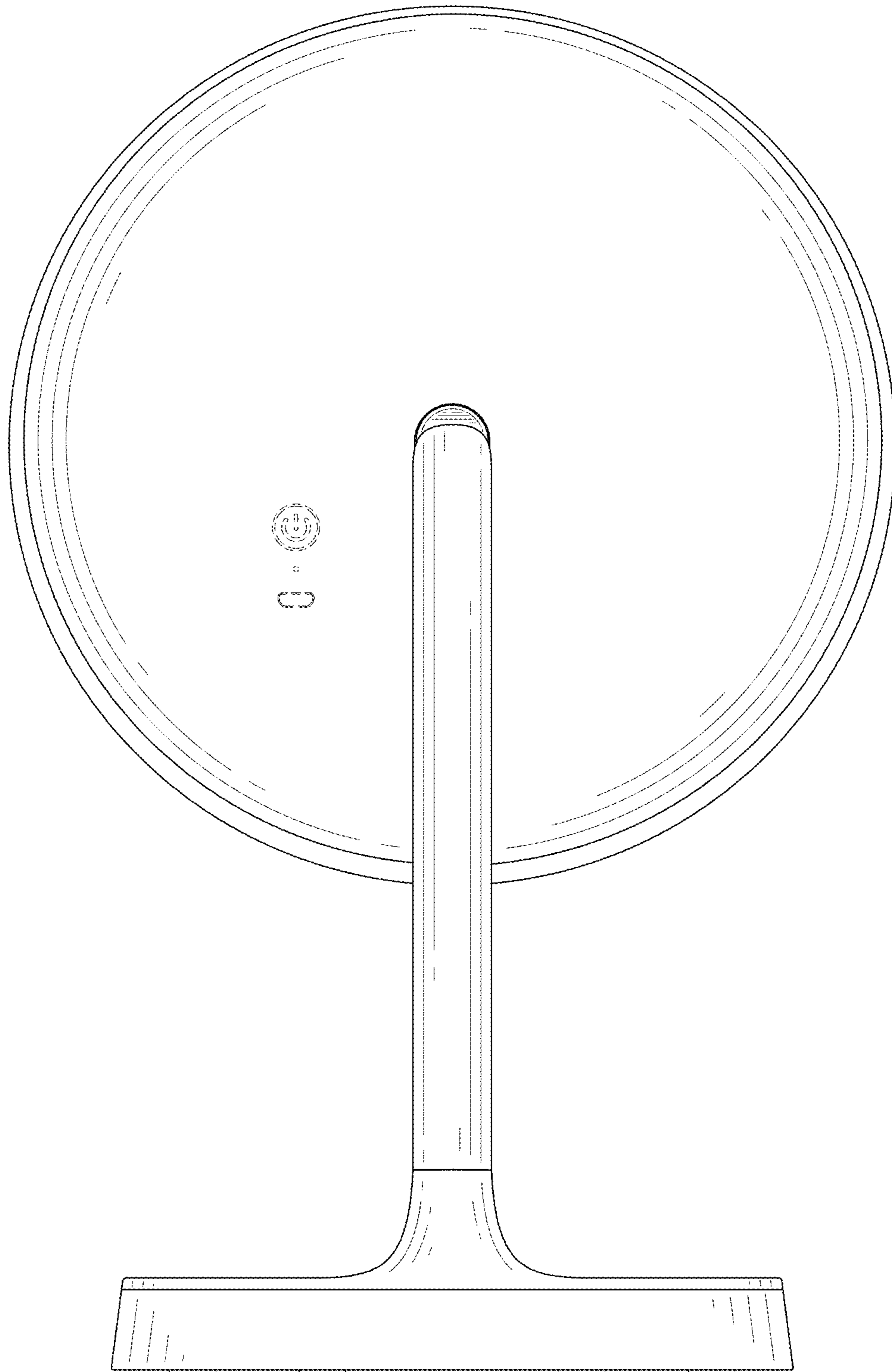


FIG. 4

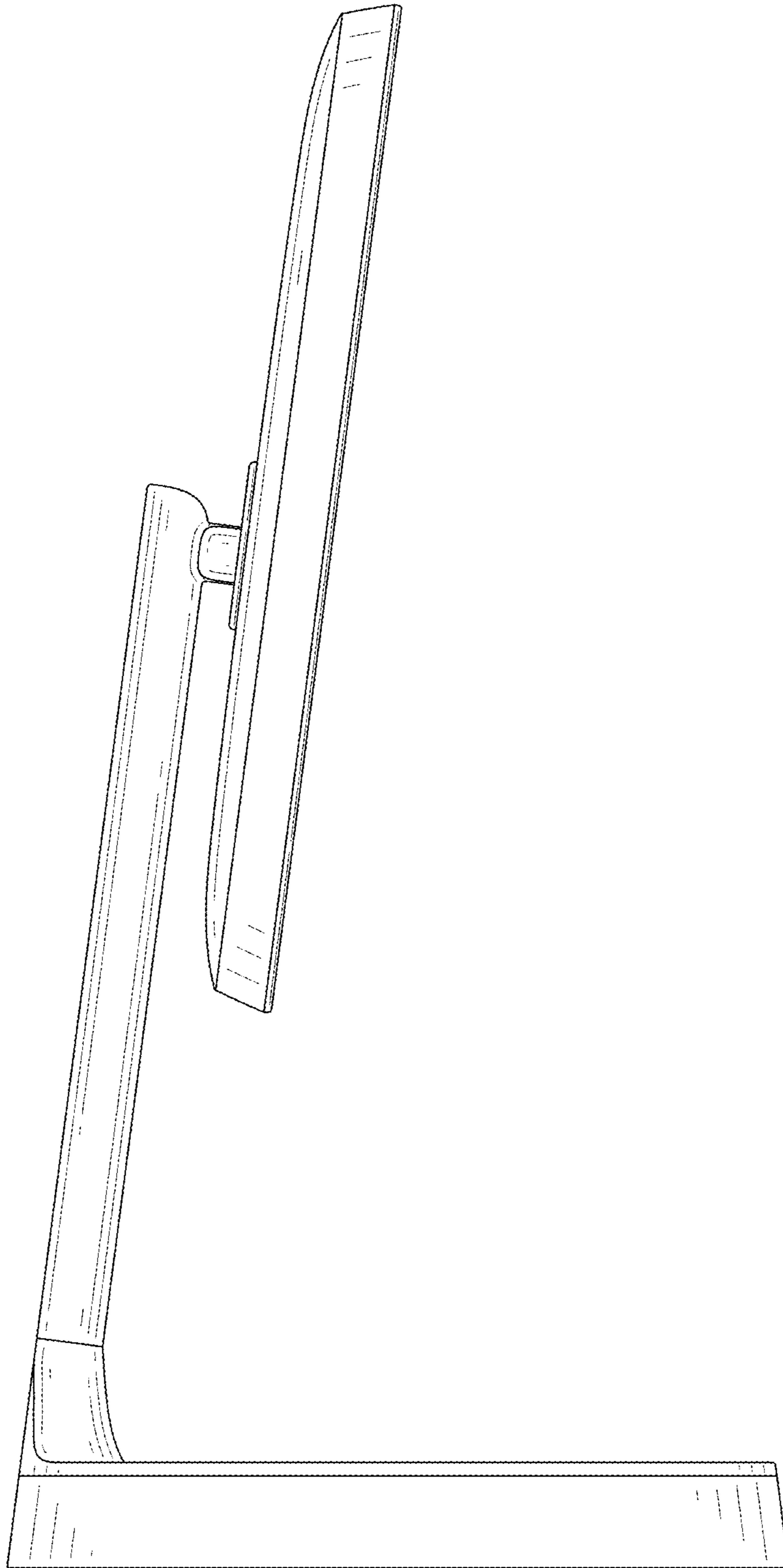


FIG. 5

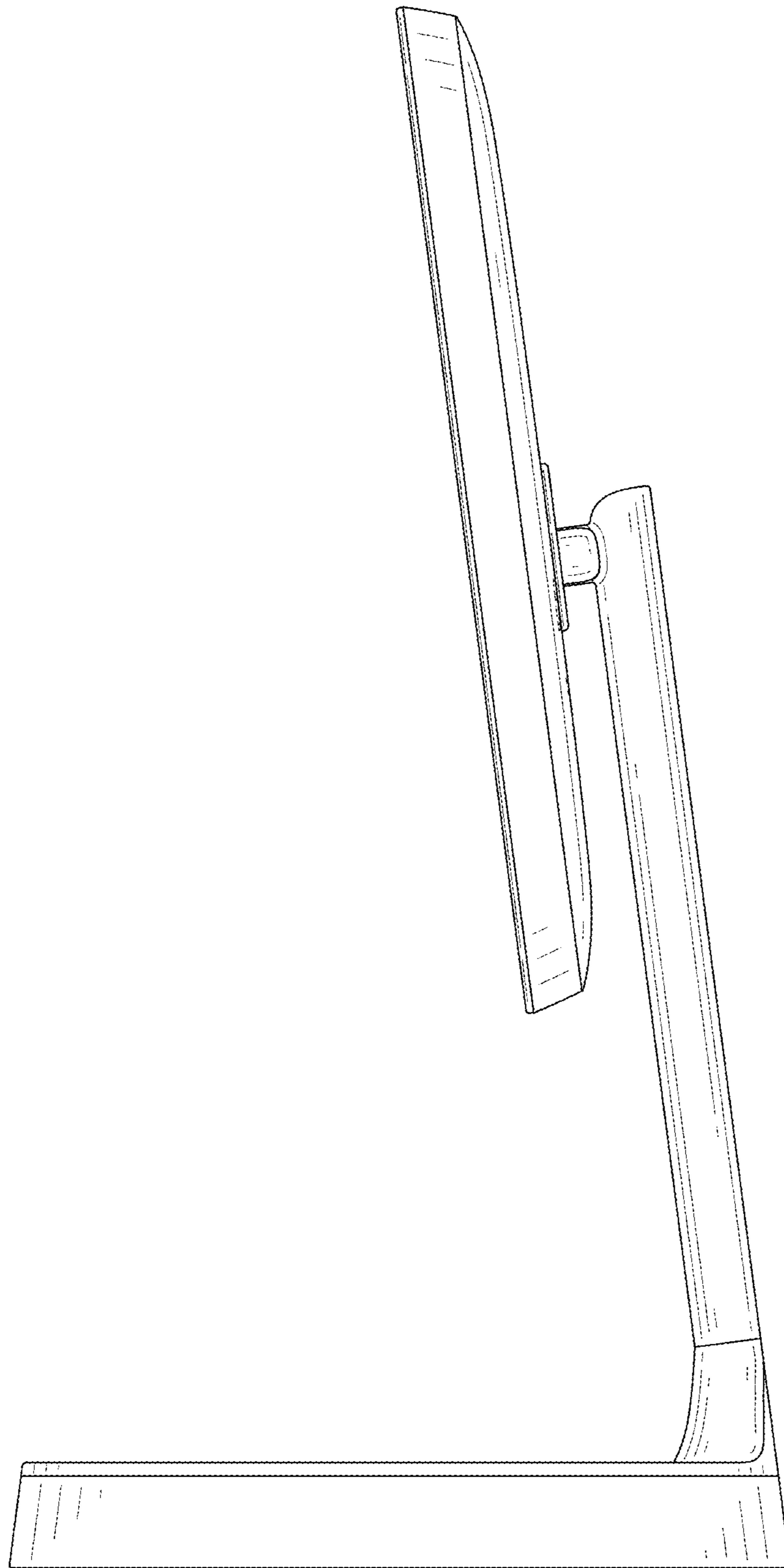


FIG. 6

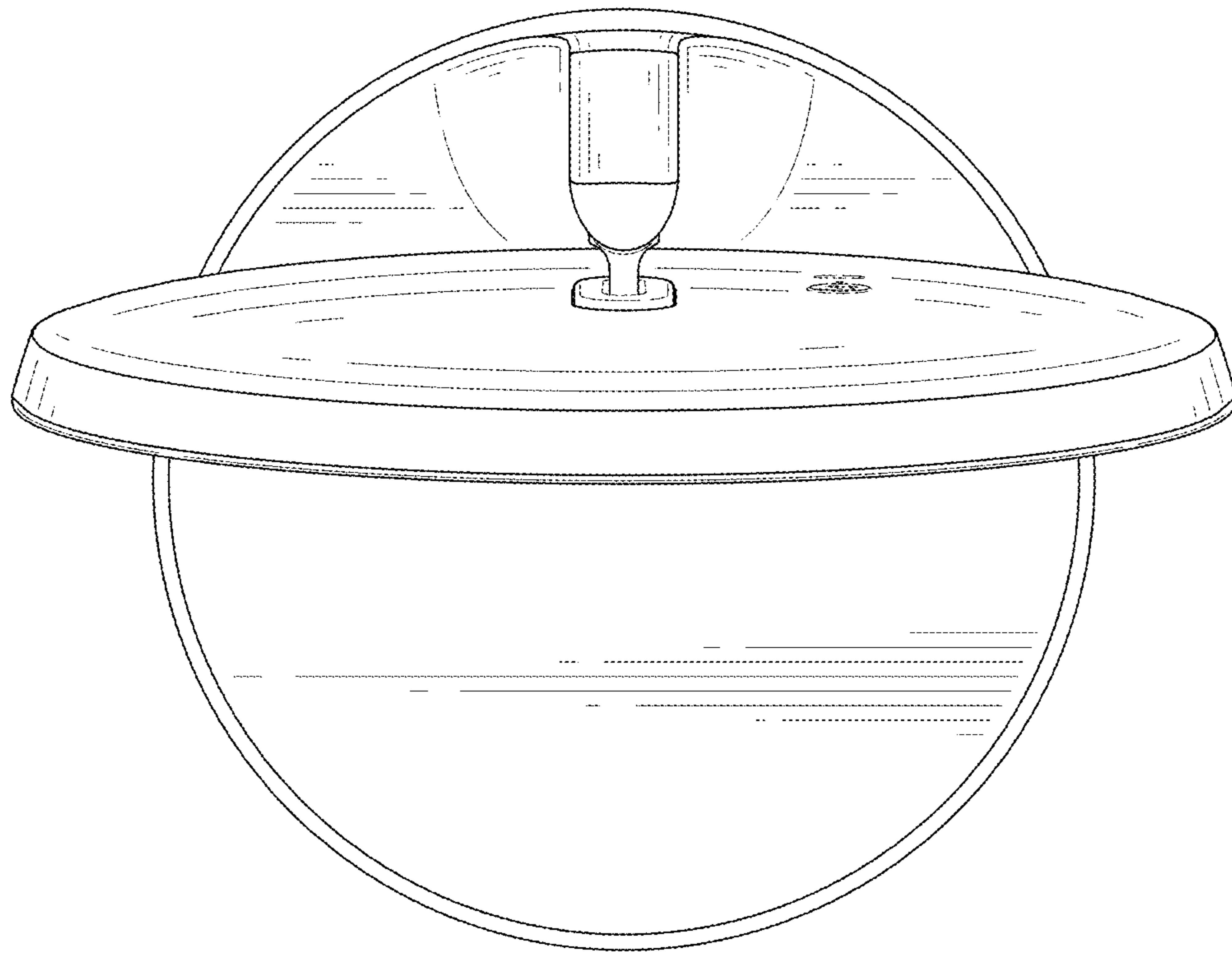


FIG. 7

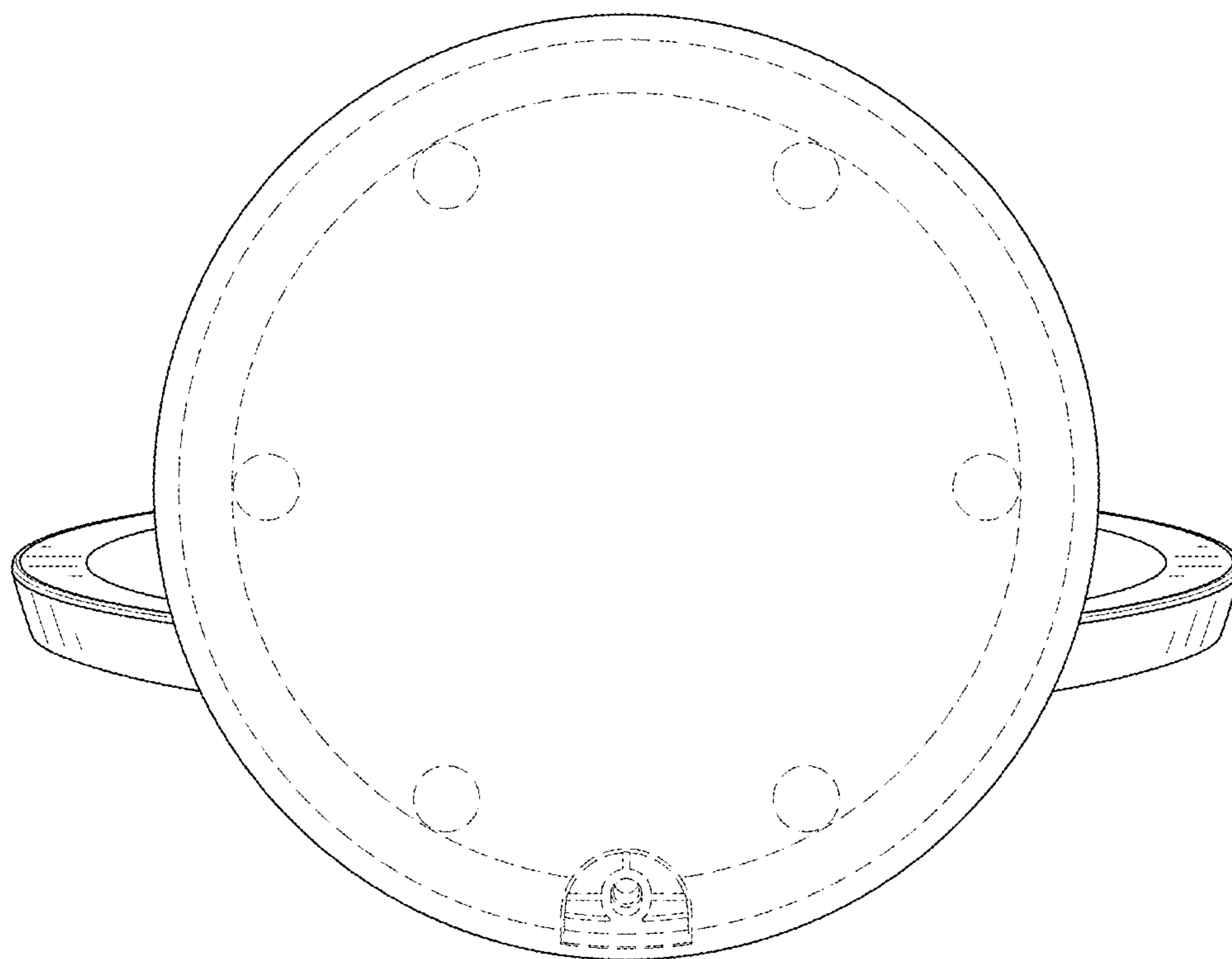


FIG. 8