



US00D879480S

(12) **United States Design Patent**
Yang

(10) **Patent No.:** **US D879,480 S**
(45) **Date of Patent:** **** Mar. 31, 2020**

- (54) **MAKEUP MIRROR**
- (71) Applicant: **DONGGUAN POWERME PLASTIC MFG. CO., LTD.**, Dongguan (CN)
- (72) Inventor: **Guowei Yang**, Dongguan (CN)
- (73) Assignee: **DONGGUAN POWERME PLASTIC MFG. CO., LTD.**, Dongguan (CN)
- (**) Term: **15 Years**

- (21) Appl. No.: **29/712,778**
- (22) Filed: **Nov. 12, 2019**
- (51) **LOC (12) Cl.** **06-06**
- (52) **U.S. Cl.**
USPC **D6/308**
- (58) **Field of Classification Search**
USPC D6/300-314
CPC ... A47G 1/00; A47G 1/02; A47G 1/06; A47G 1/0616; A47G 1/14; A47G 1/141; A45D 42/00; A45D 42/08; A45D 42/14; A45D 42/16; A45D 42/10
See application file for complete search history.

(56) **References Cited**

U.S. PATENT DOCUMENTS

- 3,476,927 A * 11/1969 Rothman F21V 33/00 362/129
- 4,580,880 A * 4/1986 Watson A47G 1/02 359/855
- D345,655 S * 4/1994 Freebairn D6/308
- D403,868 S * 1/1999 Smal D6/308
- D431,375 S * 10/2000 Zadro D6/309

- D462,181 S 9/2002 Vandenbussche
- D589,267 S 3/2009 Pitot
- D779,217 S * 2/2017 Zhang D6/308
- D779,835 S * 2/2017 Zhang D6/300
- D829,007 S * 9/2018 Choi D6/310
- D865,374 S 11/2019 Yang
- D866,989 S * 11/2019 Zhu D6/308
- 2018/0172262 A1 * 6/2018 Garcia F21V 33/004
- 2018/0270410 A1 * 9/2018 Lyle H04N 7/183
- 2019/0087641 A1 * 3/2019 Shen G06K 9/00268
- 2019/0104869 A1 * 4/2019 Mohr A47G 1/1613
- 2020/0008592 A1 * 1/2020 Meyers G06F 3/0412

* cited by examiner

Primary Examiner — Deanna L Pratt

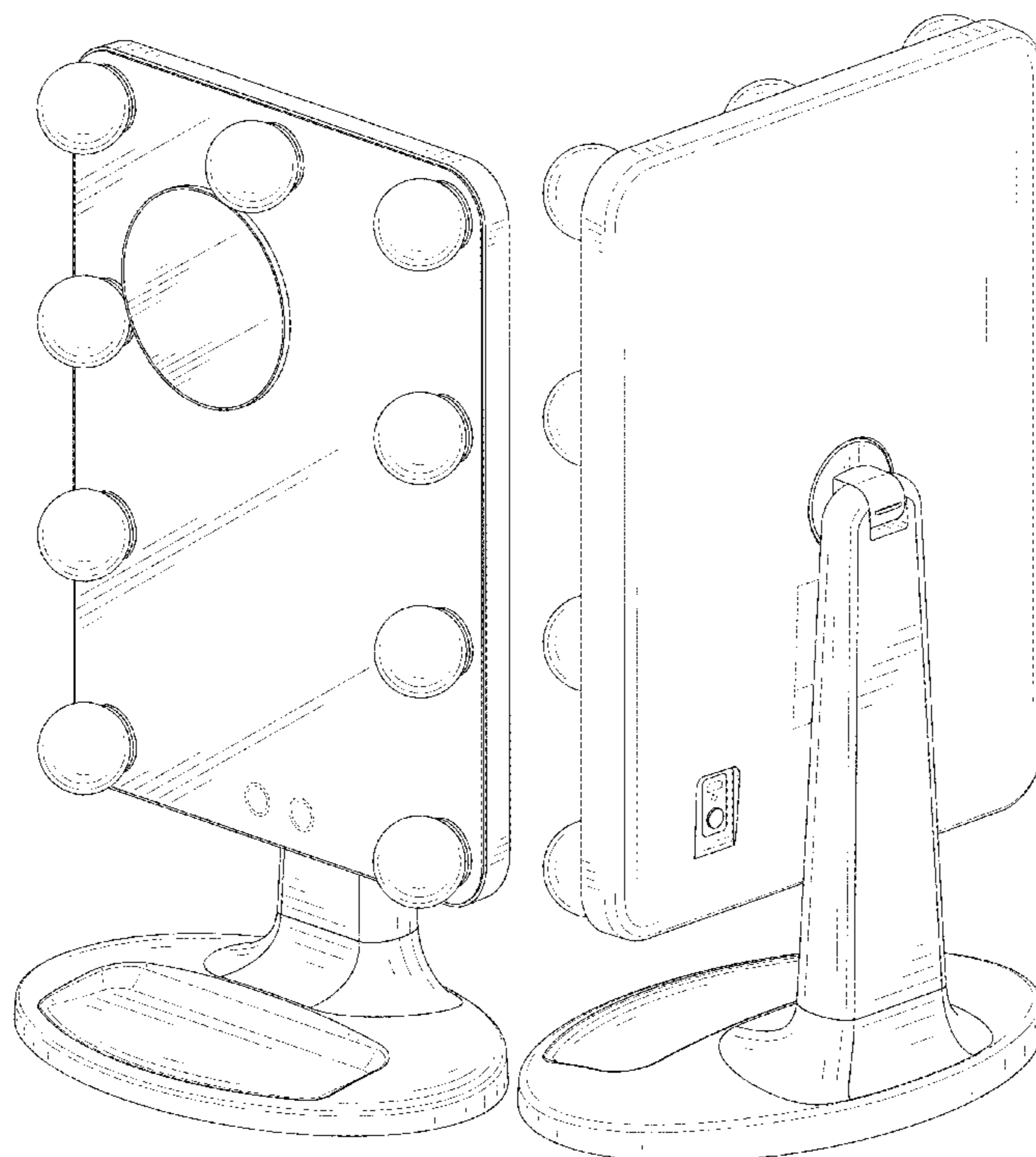
(57) **CLAIM**

The ornamental design for a makeup mirror, as shown and described.

DESCRIPTION

FIG. 1 is a perspective view of a makeup mirror showing my new design;
 FIG. 2 is another perspective view thereof;
 FIG. 3 is a front elevational view thereof;
 FIG. 4 is a rear elevational view thereof;
 FIG. 5 is a left side elevational view thereof;
 FIG. 6 is a right side elevational view thereof;
 FIG. 7 is a top plan view thereof;
 FIG. 8 is a bottom plan view thereof; and,
 FIG. 9 is a perspective view of the makeup mirror where a small mirror is separated from a mirror body.
 The broken lines in the drawings depict portions of the makeup mirror that form no part of the claimed design.

1 Claim, 9 Drawing Sheets



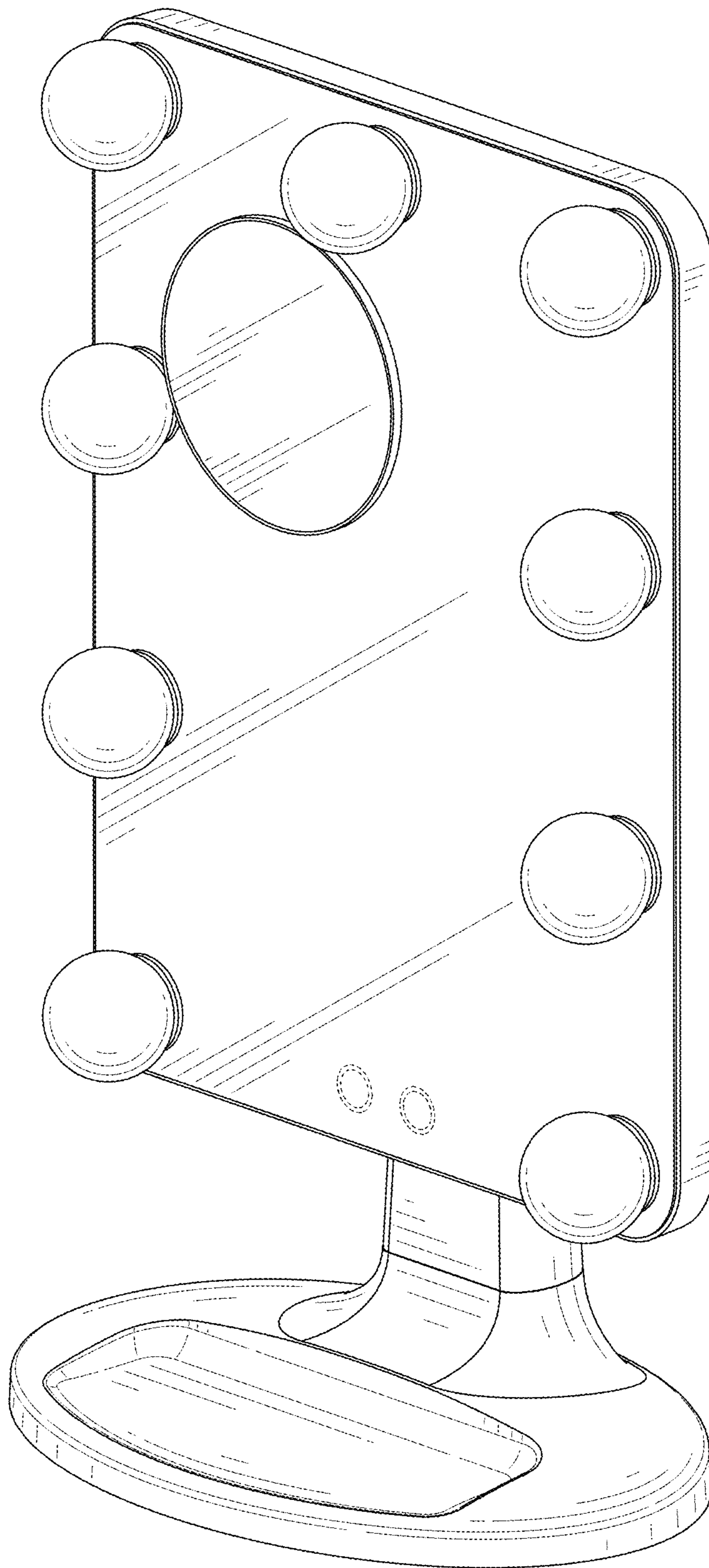


FIG. 1

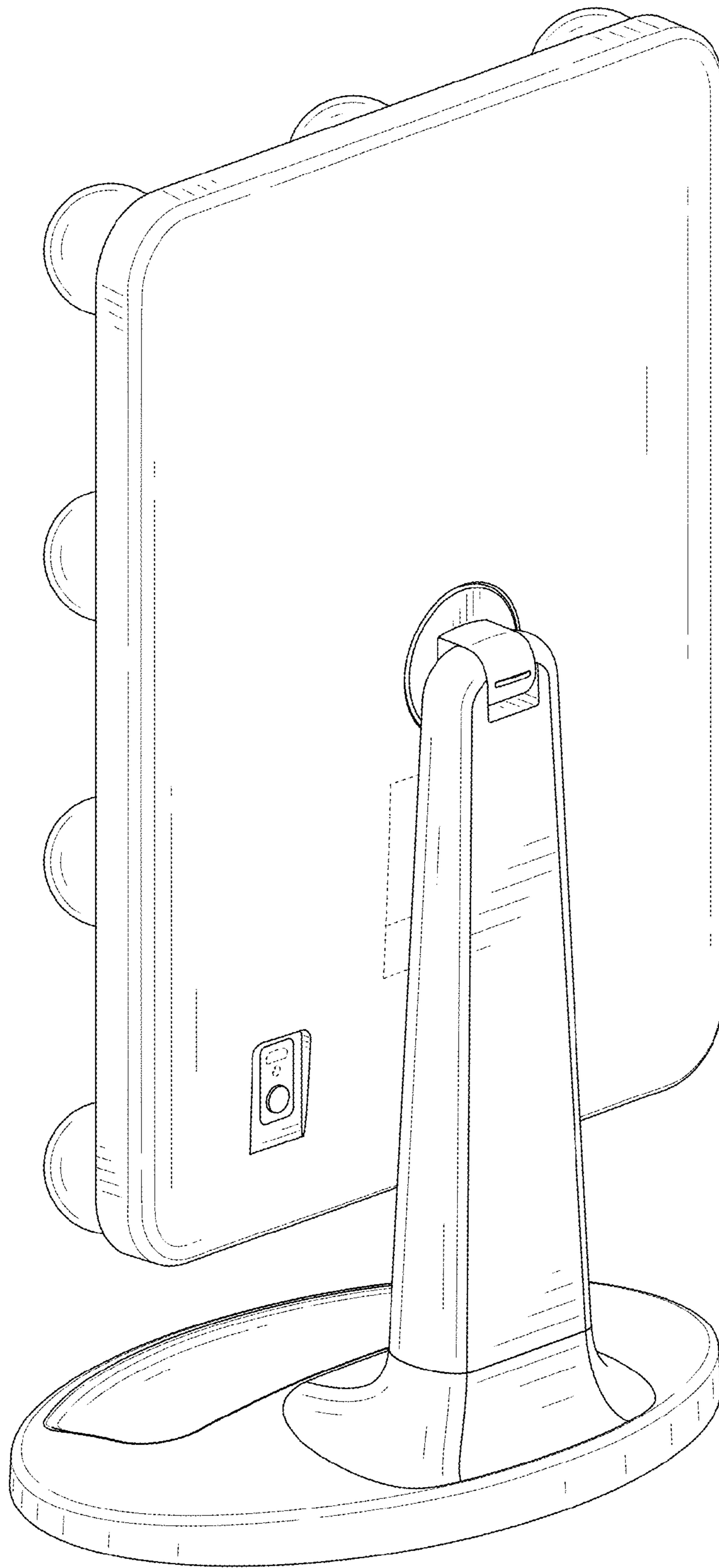


FIG. 2

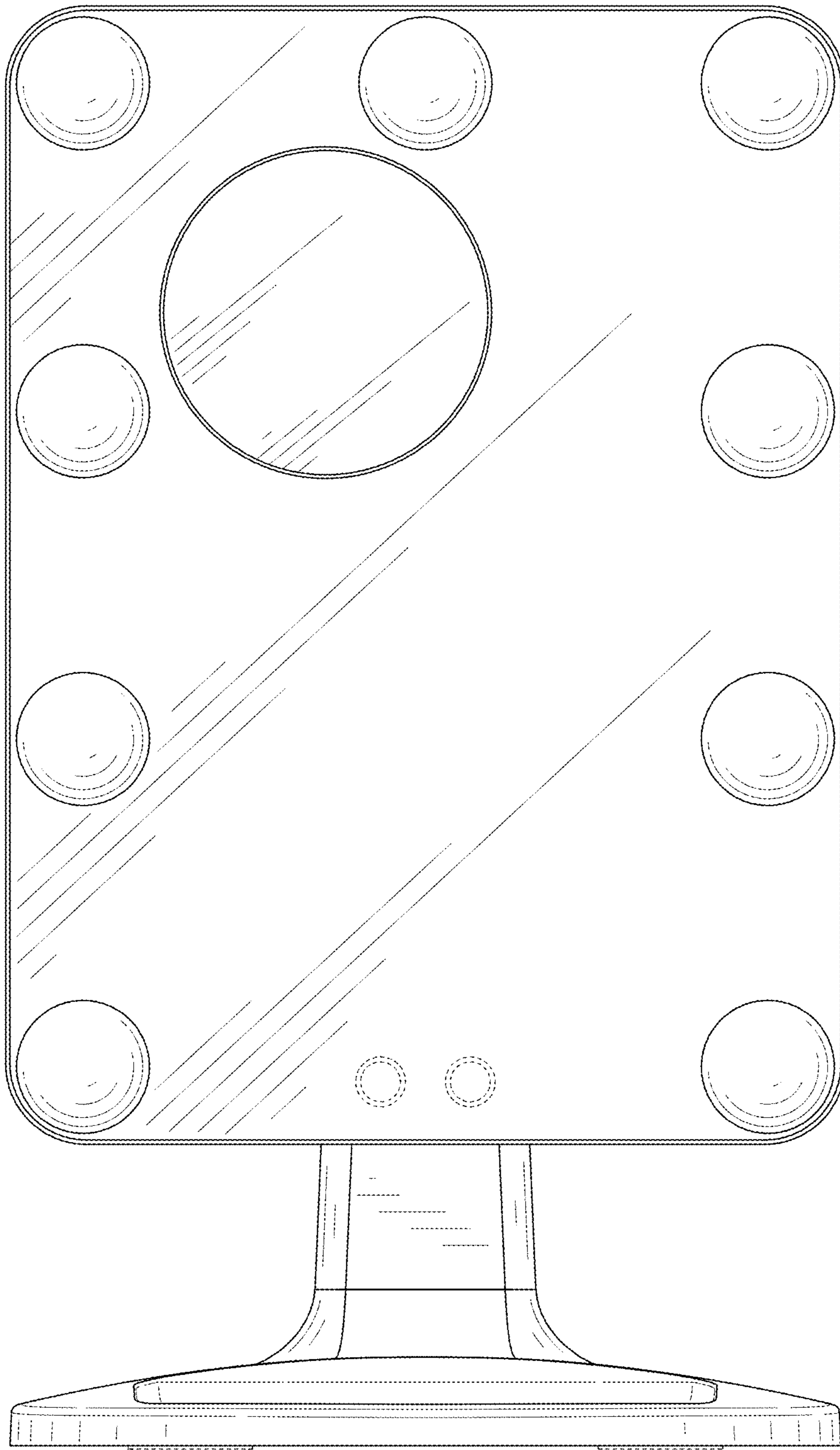


FIG. 3

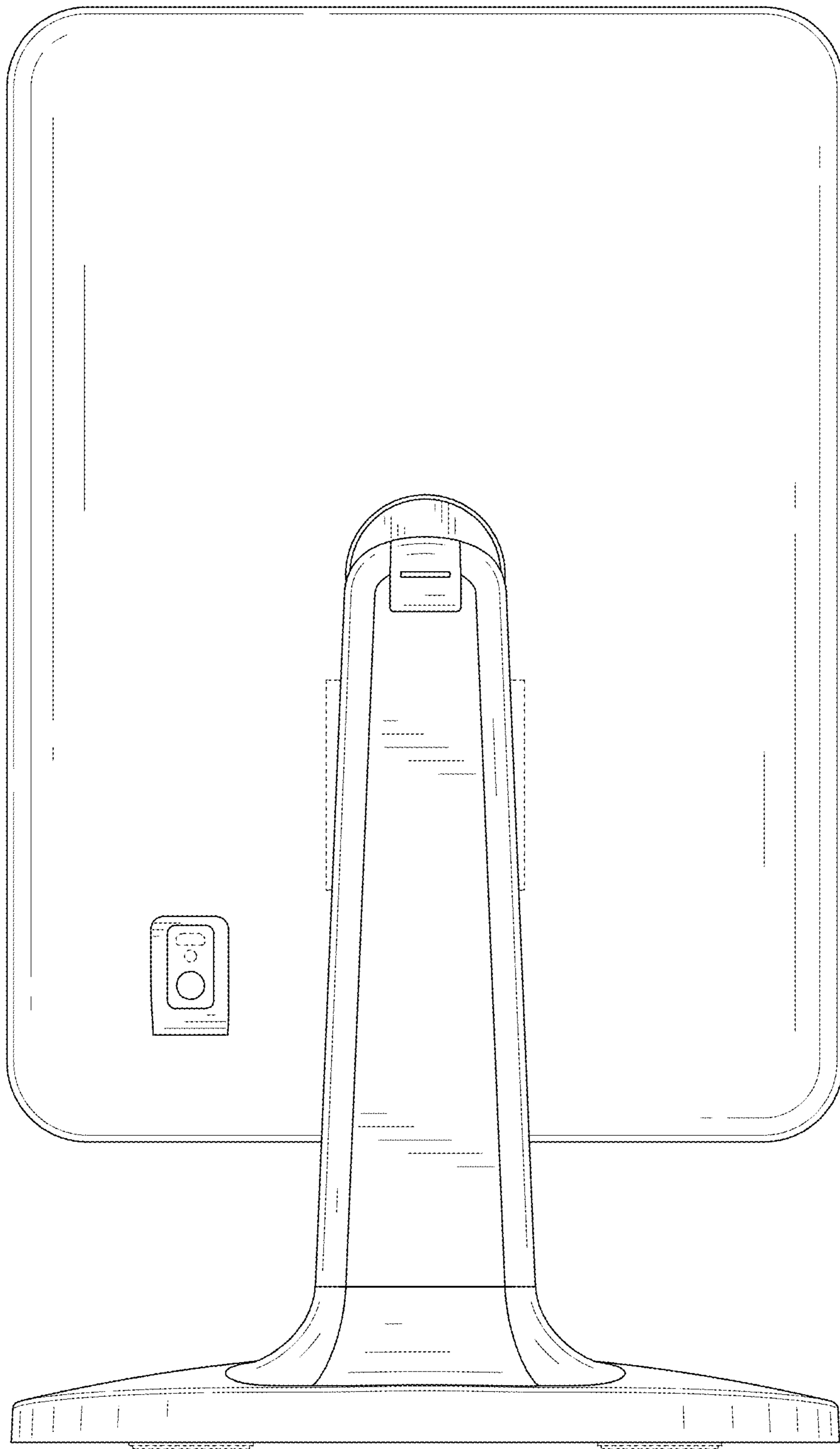


FIG. 4

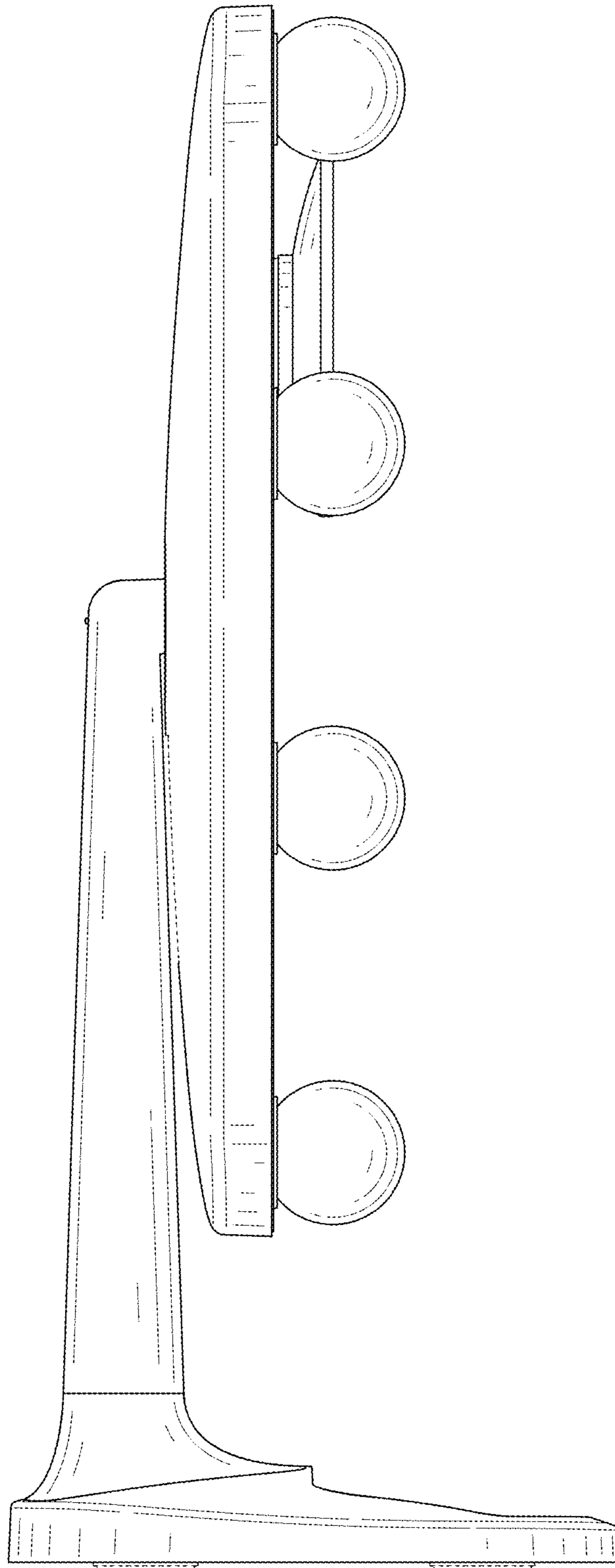


FIG. 5

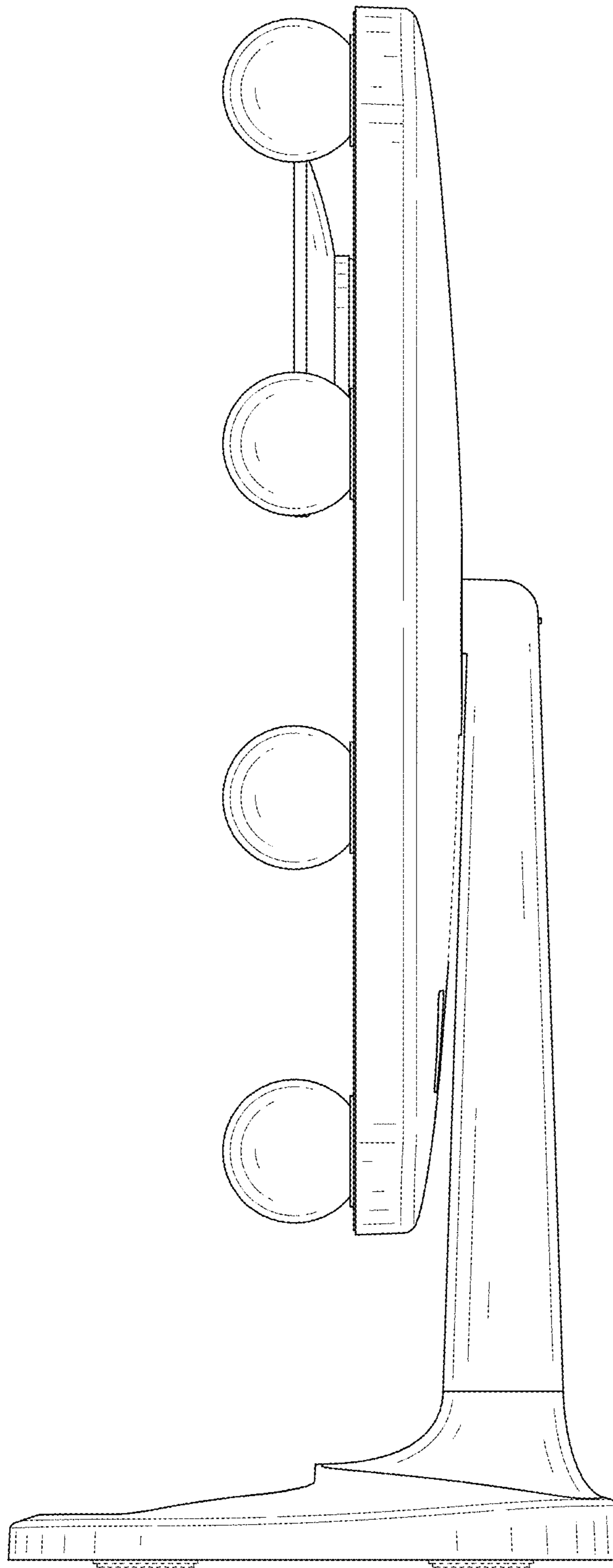


FIG. 6

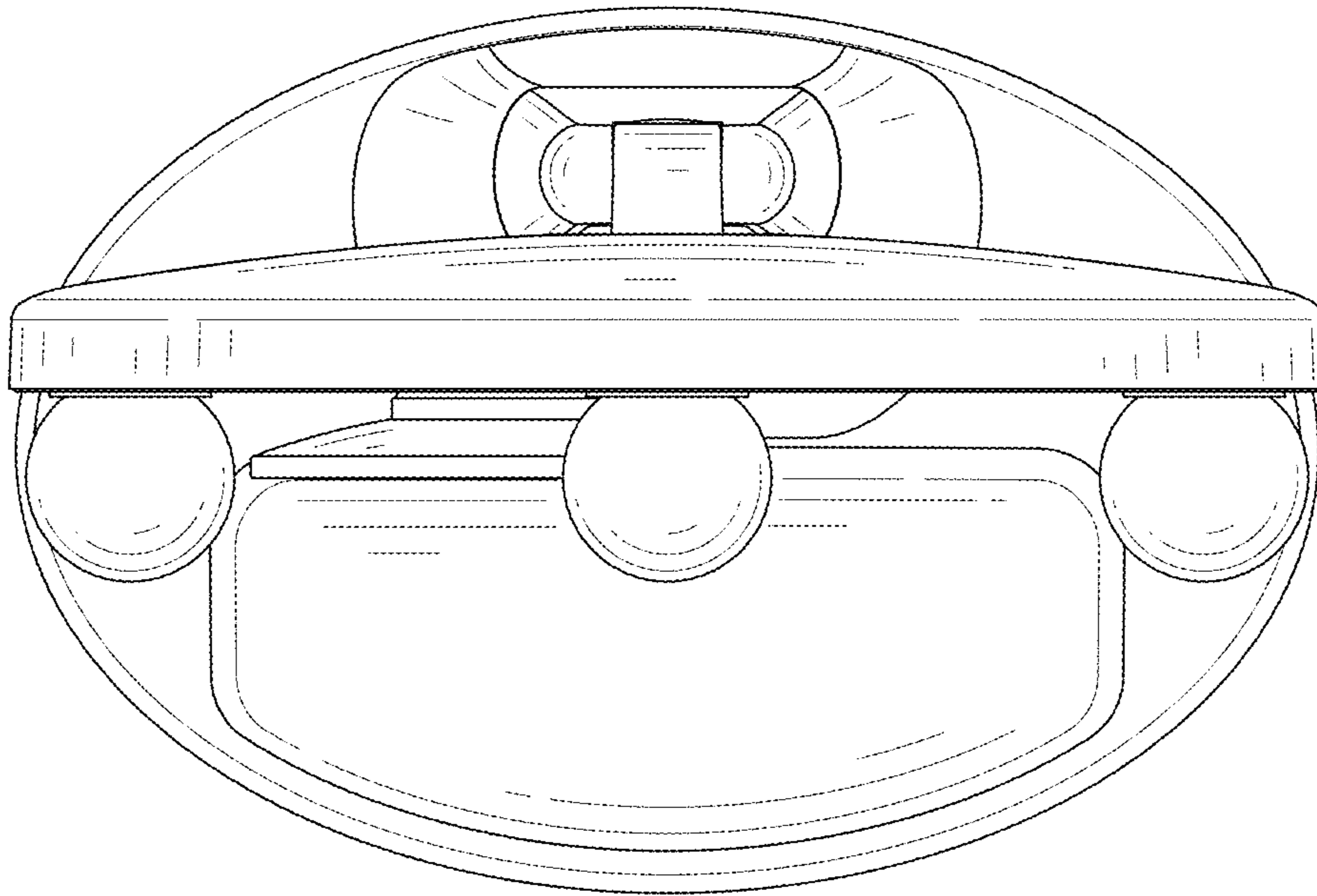


FIG. 7

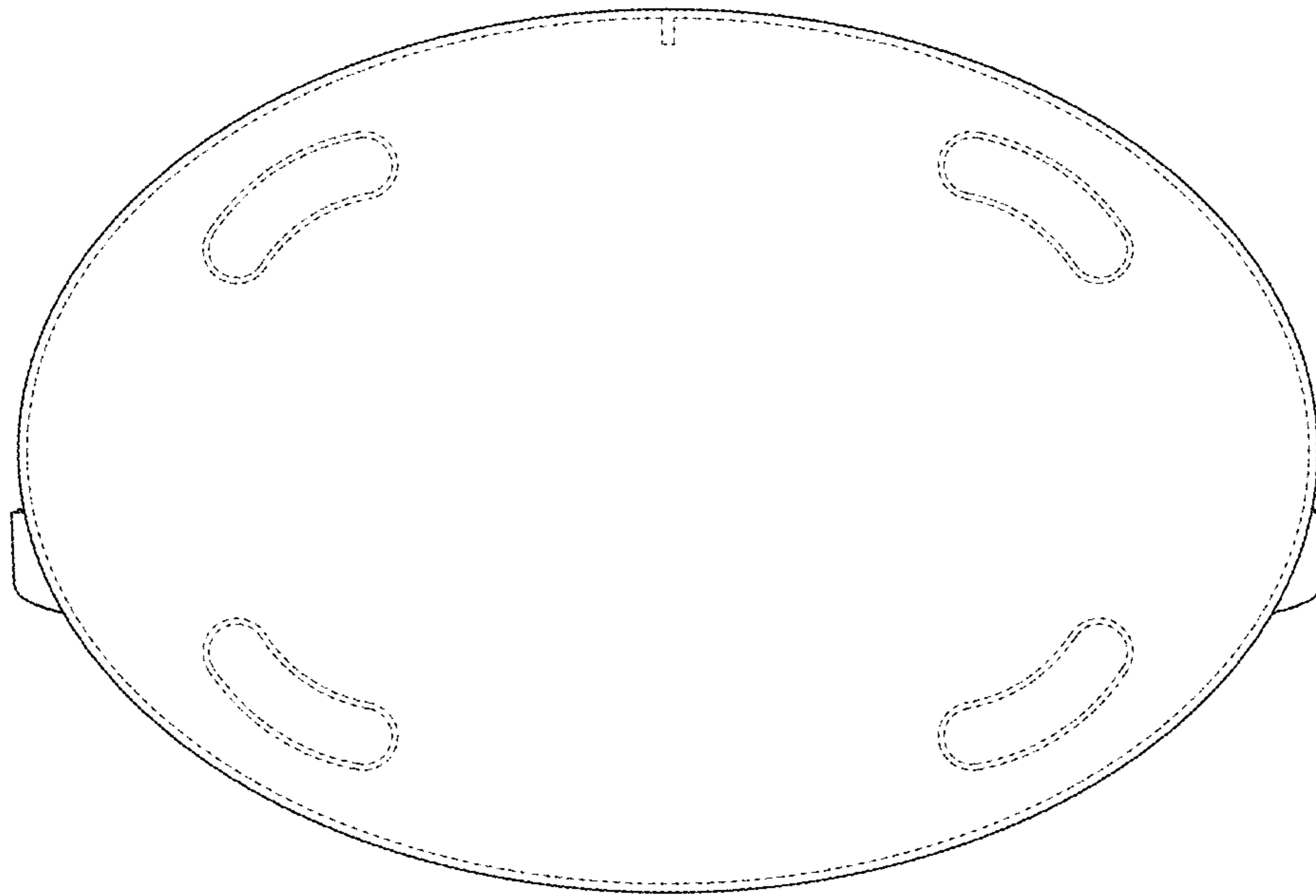


FIG. 8

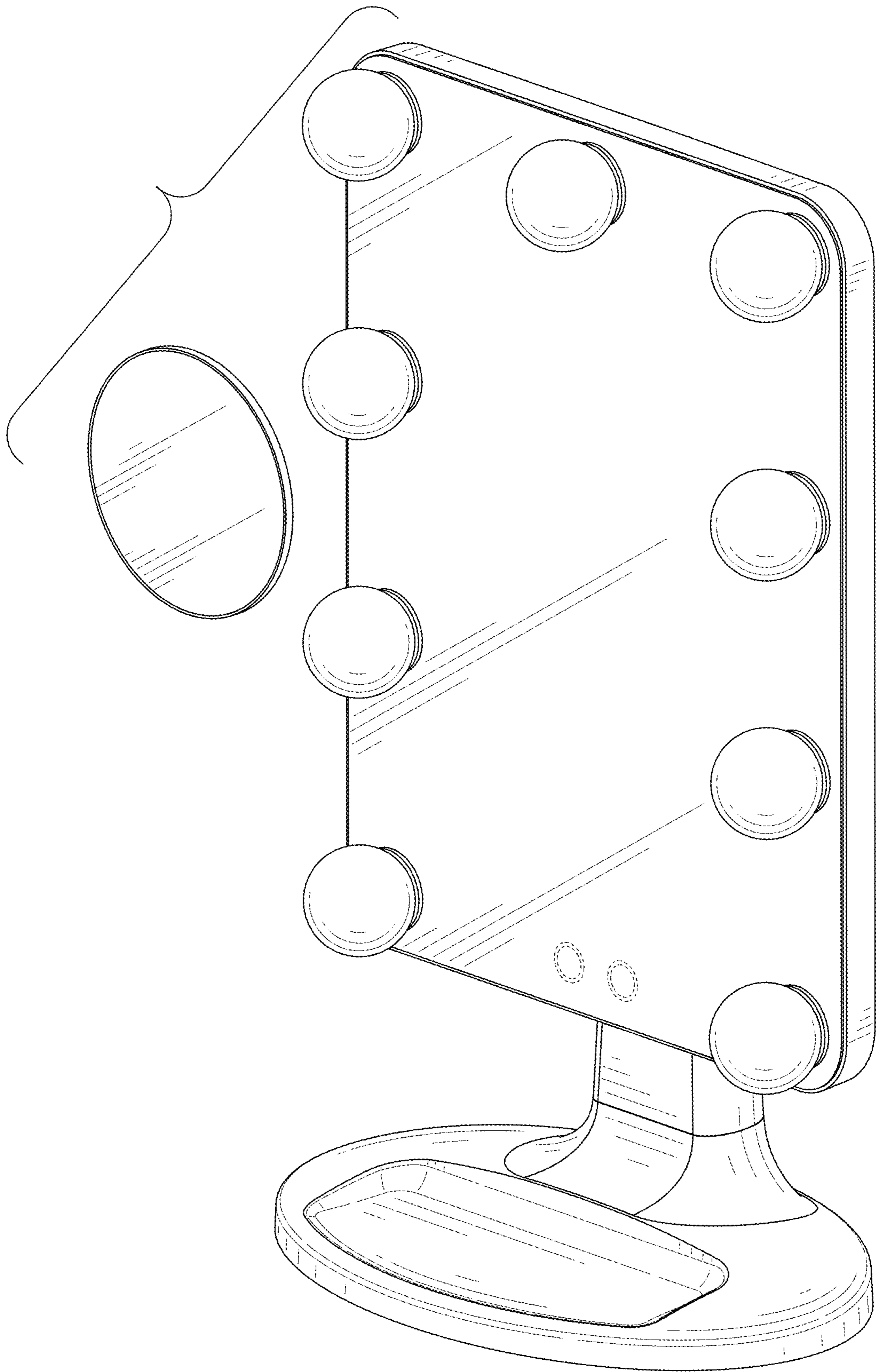


FIG. 9