



US00D879474S

(12) **United States Design Patent**
Pauschitz

(10) **Patent No.:** **US D879,474 S**
(45) **Date of Patent:** **** Mar. 31, 2020**

(54) **TOOTHBRUSH**

(71) Applicant: **MAM Babyartikel Gesellschaft
m.b.H., Vienna (AT)**

(72) Inventor: **Christoph Pauschitz, Vienna (AT)**

(73) Assignee: **MAM BABYARTIKEL
GESELLSCHAFT M.B.H., Vienna
(AT)**

(**) Term: **15 Years**

(21) Appl. No.: **29/648,108**

(22) Filed: **May 18, 2018**

(30) **Foreign Application Priority Data**

Nov. 22, 2017 (EM) 004517902-0001
Nov. 22, 2017 (EM) 004517902-0002
Nov. 22, 2017 (EM) 004517902-0003

(51) **LOC (12) Cl.** **04-02**

(52) **U.S. Cl.**
USPC **D4/107**

(58) **Field of Classification Search**
USPC D4/101, 104, 105, 106, 107, 108, 109,
D4/110, 111, 112, 113, 138, 199;
15/110; D28/76, 88, 89
CPC A46B 3/00; A46B 9/02; A46B 9/04; A46B
2200/1066; A46B 2200/1073; A46B
2200/1086; A46B 17/00; A46B 15/0048
See application file for complete search history.

(56) **References Cited**

U.S. PATENT DOCUMENTS

D149,620 S * 5/1948 Darr D4/101
D220,239 S * 3/1971 Rams et al. D4/101
5,044,037 A * 9/1991 Brown A46B 15/0002
15/105
D343,295 S * 1/1994 Brown D4/107

D420,802 S * 2/2000 Cheong D4/104
D452,379 S * 12/2001 Cheong D4/107
D466,694 S * 12/2002 Saindon D4/104
D488,301 S * 4/2004 Xi D4/107
D526,488 S * 8/2006 Struber D4/107
D535,823 S * 1/2007 Crossman D4/108
D600,023 S * 9/2009 Sprosta D4/107
D658,890 S * 5/2012 Xi D4/107
D676,664 S * 2/2013 Xi D4/107
D715,056 S * 10/2014 Alejandro D4/101
D824,677 S * 8/2018 Tseng D4/101
D834,323 S * 11/2018 Sohn D4/101
D841,336 S * 2/2019 Asunsolo D4/110
D857,397 S * 8/2019 Sohn D4/101

* cited by examiner

Primary Examiner — Karen E Eldridge Powers
(74) *Attorney, Agent, or Firm* — Abelman, Frayne &
Schwab

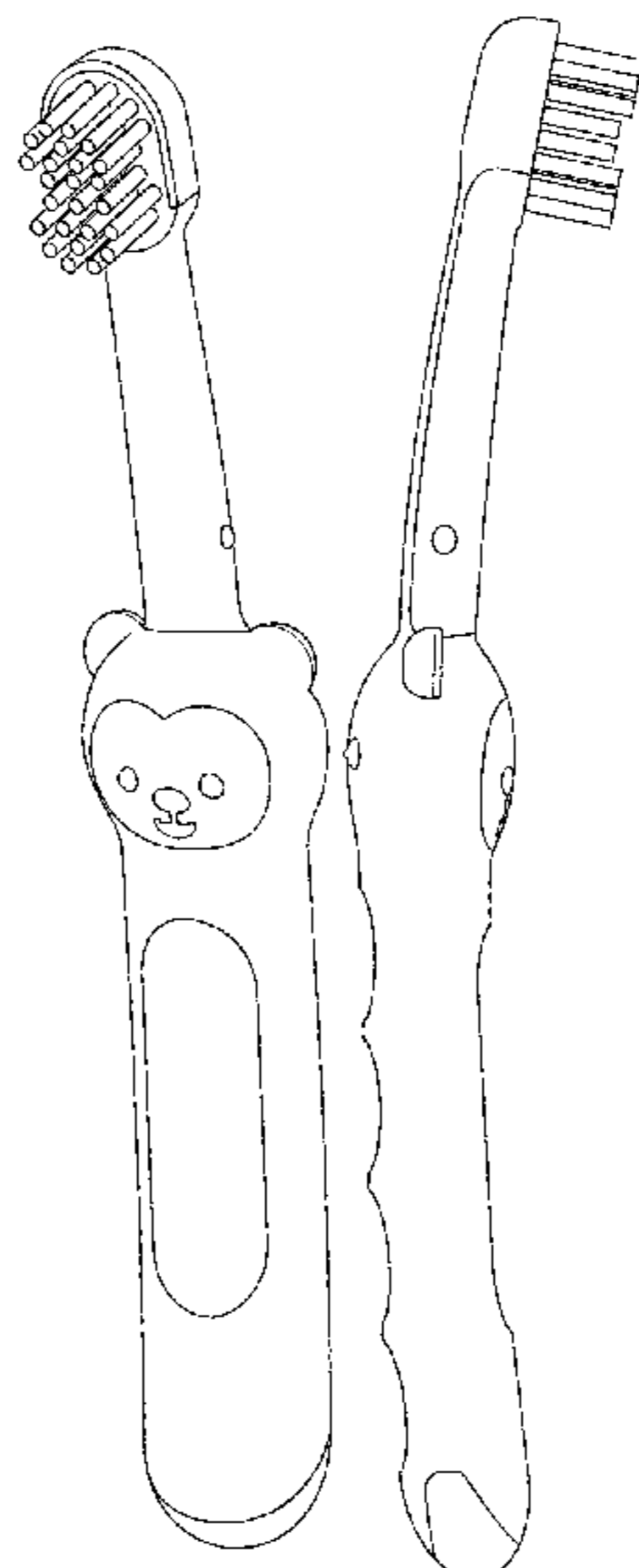
(57) **CLAIM**

The ornamental design for a toothbrush, as shown and described.

DESCRIPTION

FIG. 1 is a front, top, and right perspective view of a toothbrush showing the new design;
FIG. 2 is a right side elevational view thereof;
FIG. 3 is a front elevational thereof;
FIG. 4 is a left side elevational view thereof;
FIG. 5 is a rear elevational view thereof;
FIG. 6 is a bottom plan thereof;
FIG. 7 is a top plan thereof;
FIG. 8 is a front, top, and right perspective view of a second embodiment showing the new design;
FIG. 9 is a right side elevational view thereof;
FIG. 10 is a front elevational thereof;
FIG. 11 is a left side elevational view thereof;
FIG. 12 is a rear elevational view thereof;
FIG. 13 is a bottom plan thereof; and,
FIG. 14 is a top plan thereof.

1 Claim, 6 Drawing Sheets



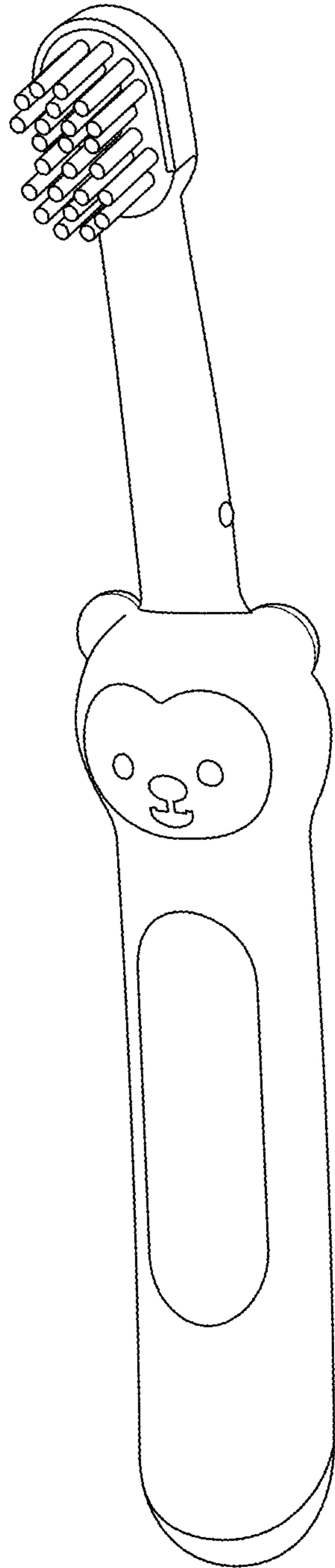


FIG. 1

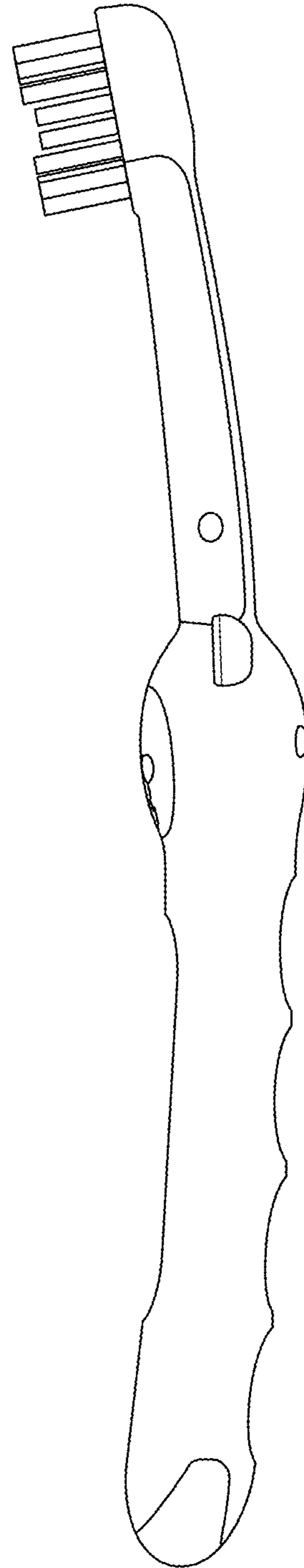


FIG. 2

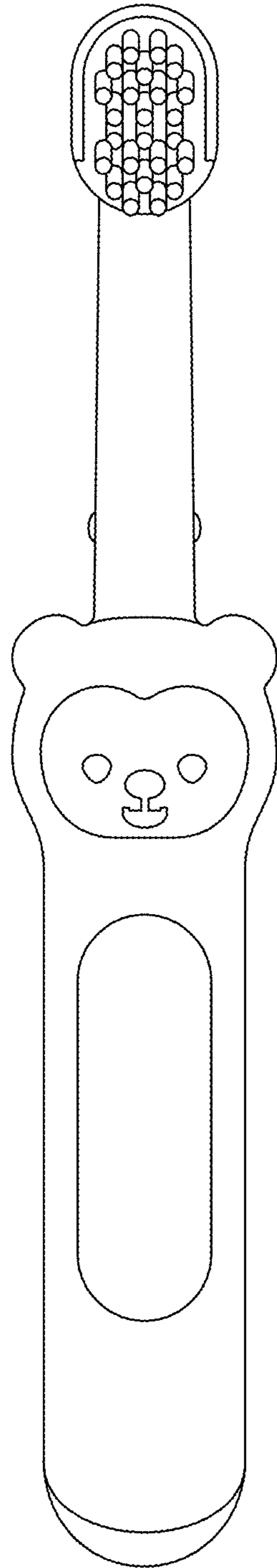


FIG. 3

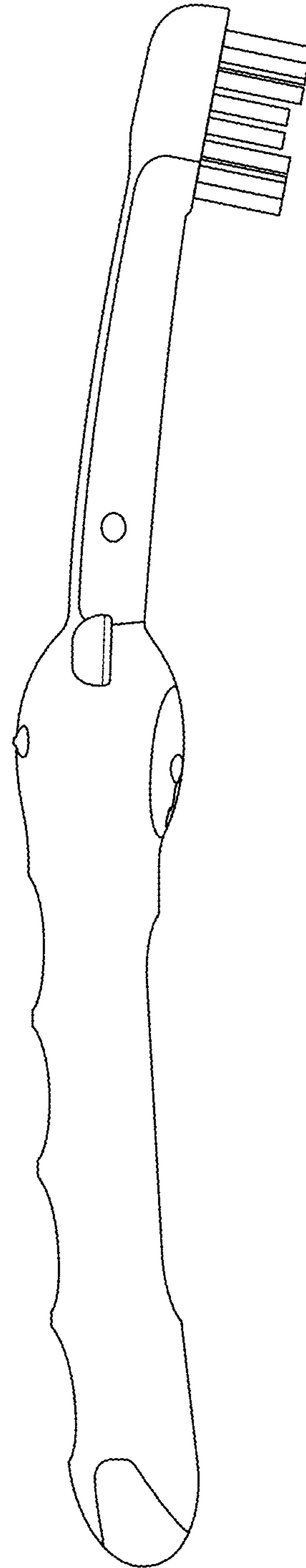


FIG. 4

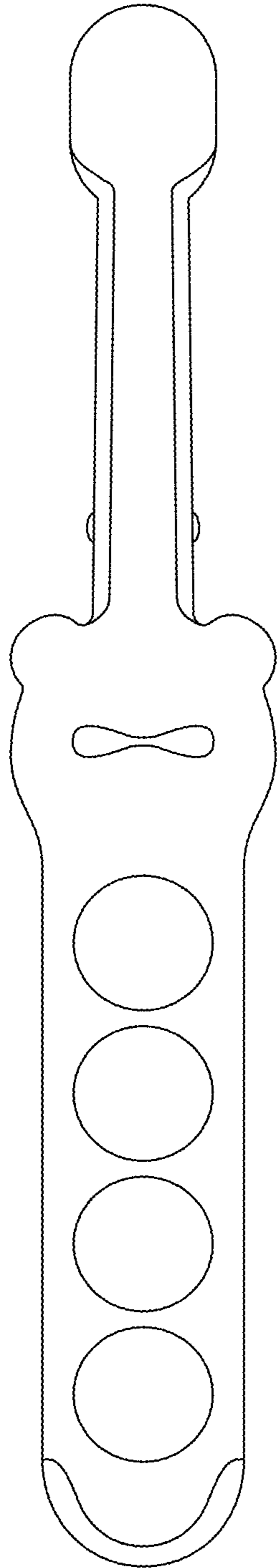


FIG. 5

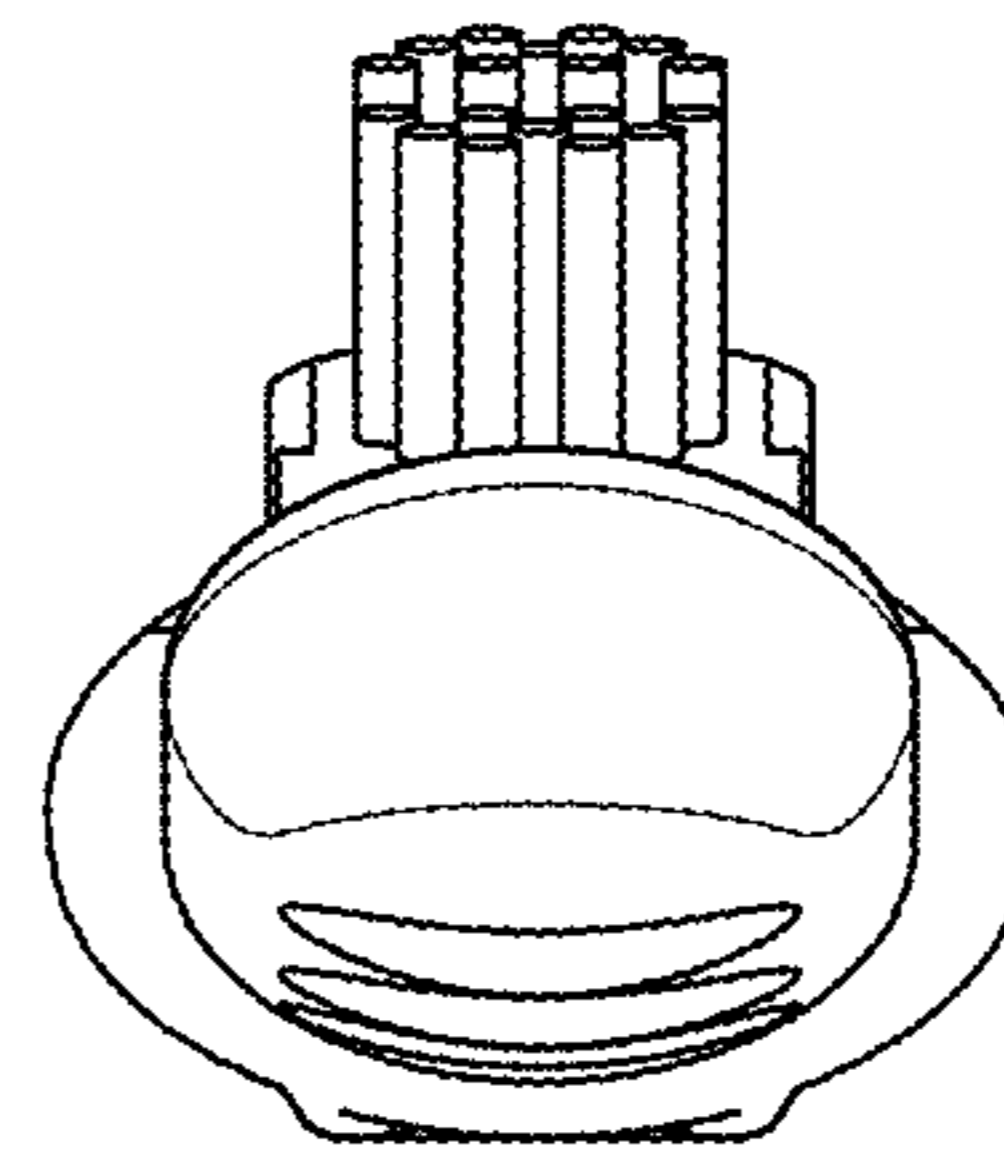


FIG. 6

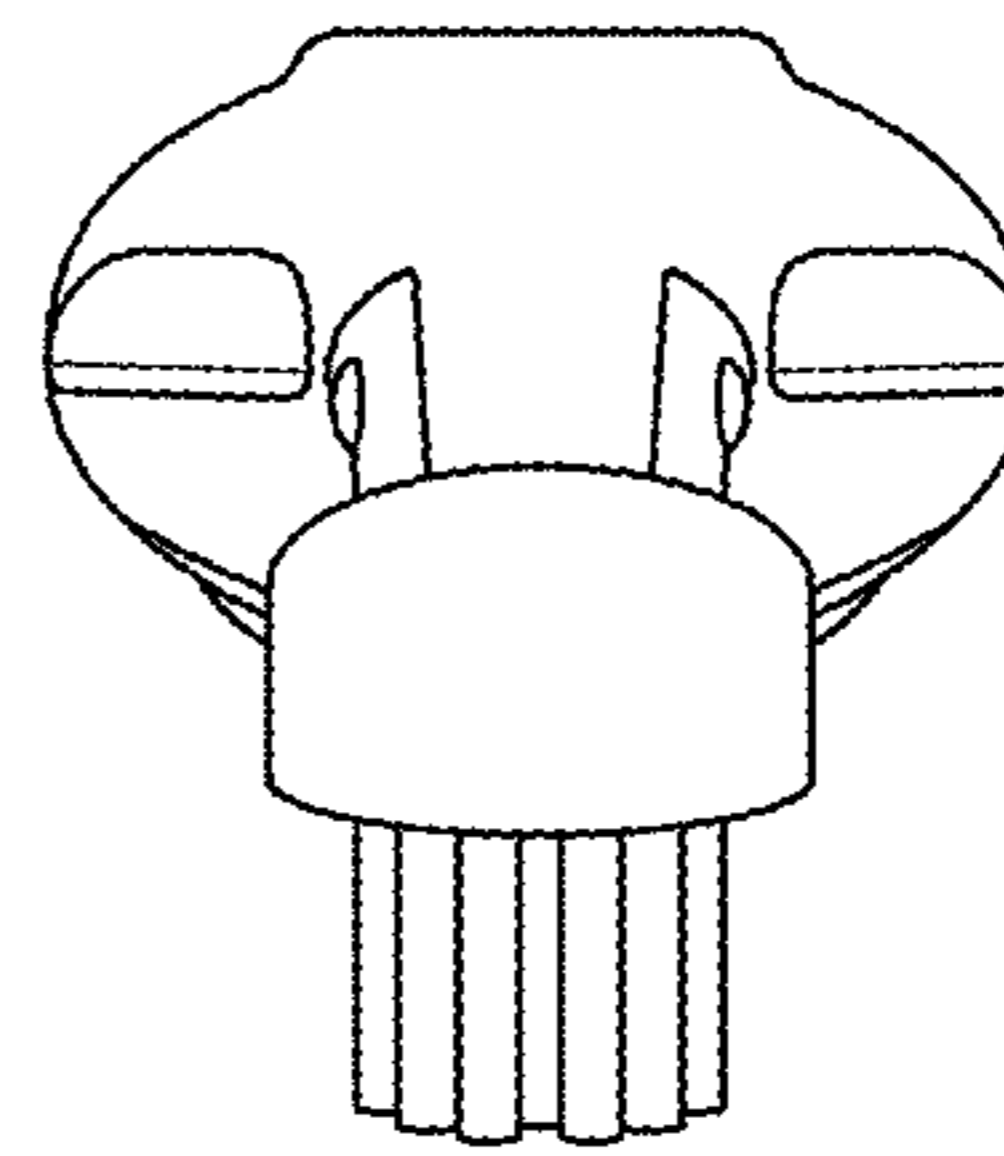


FIG. 7

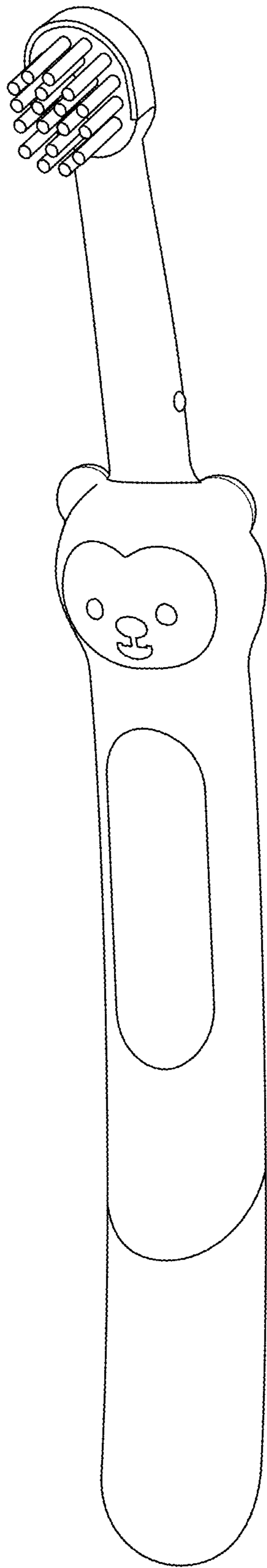


FIG. 8

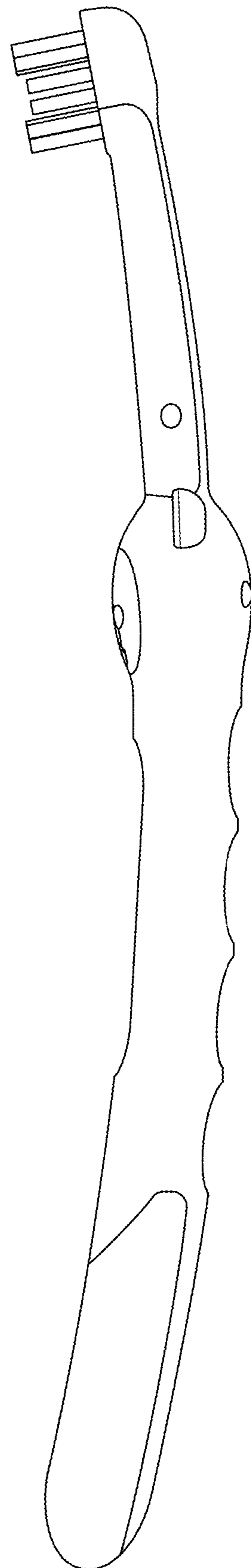


FIG. 9

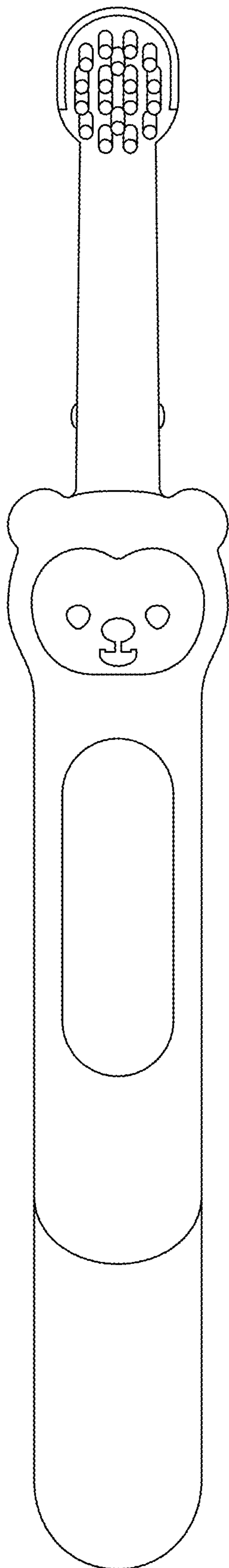


FIG. 10

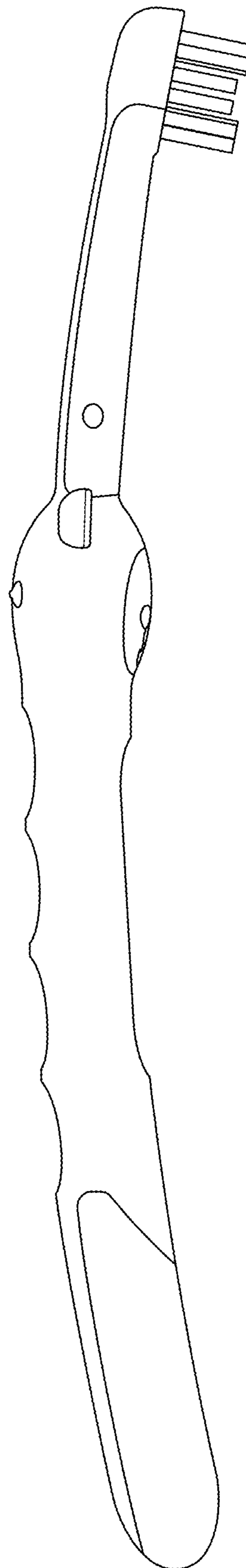


FIG. 11

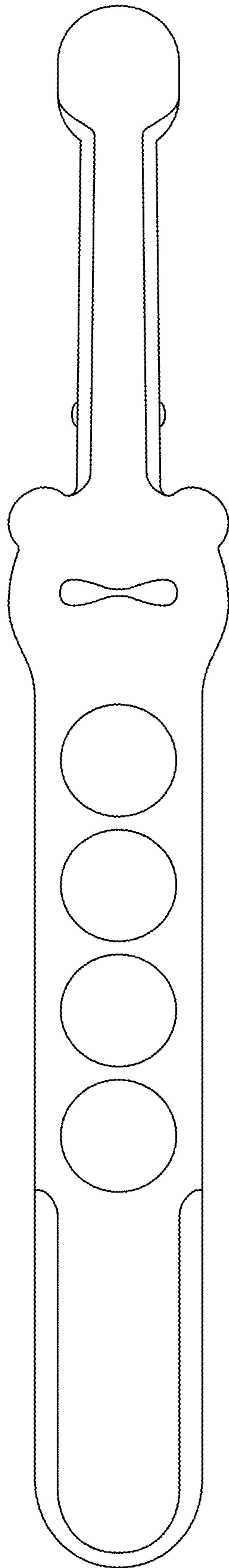


FIG. 12

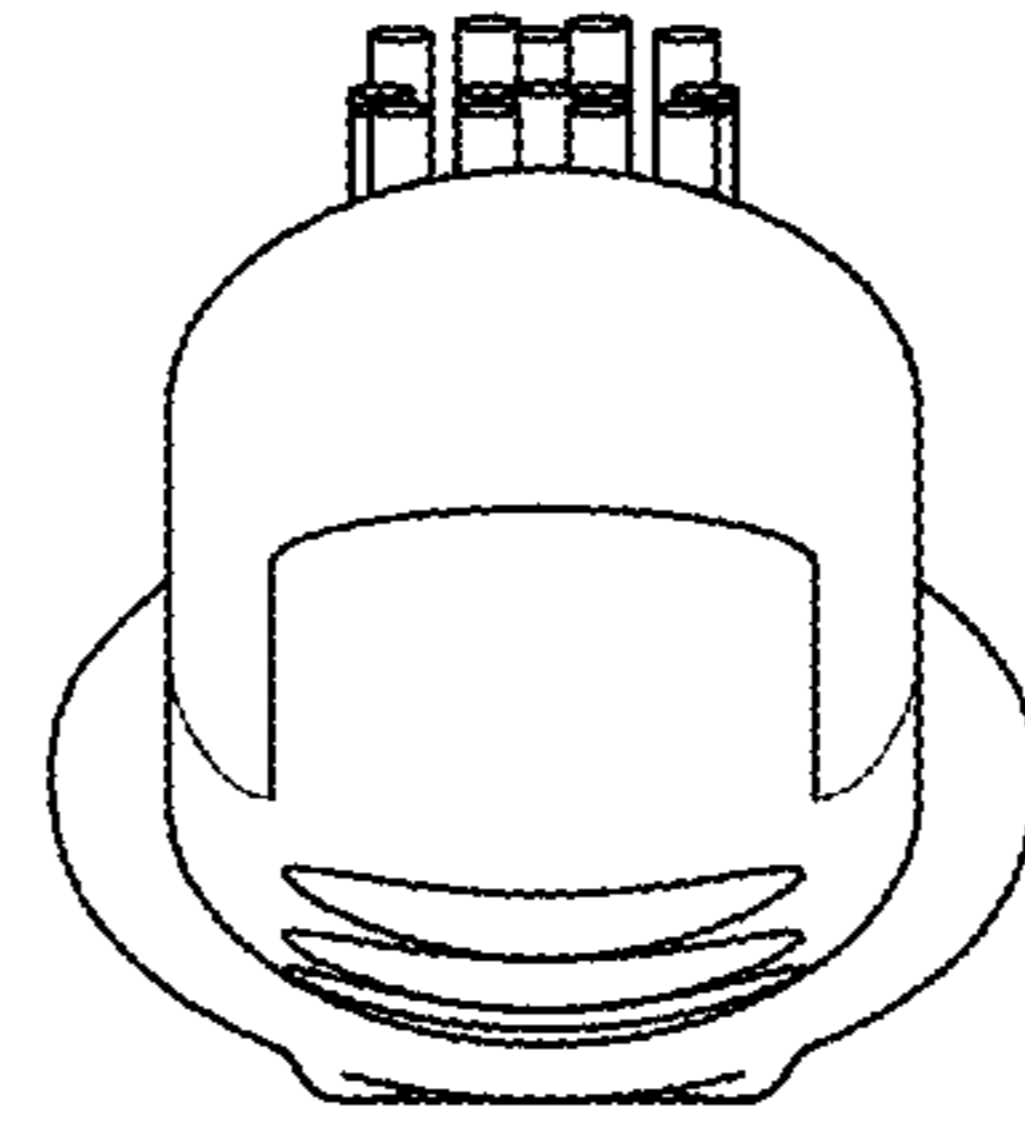


FIG. 13

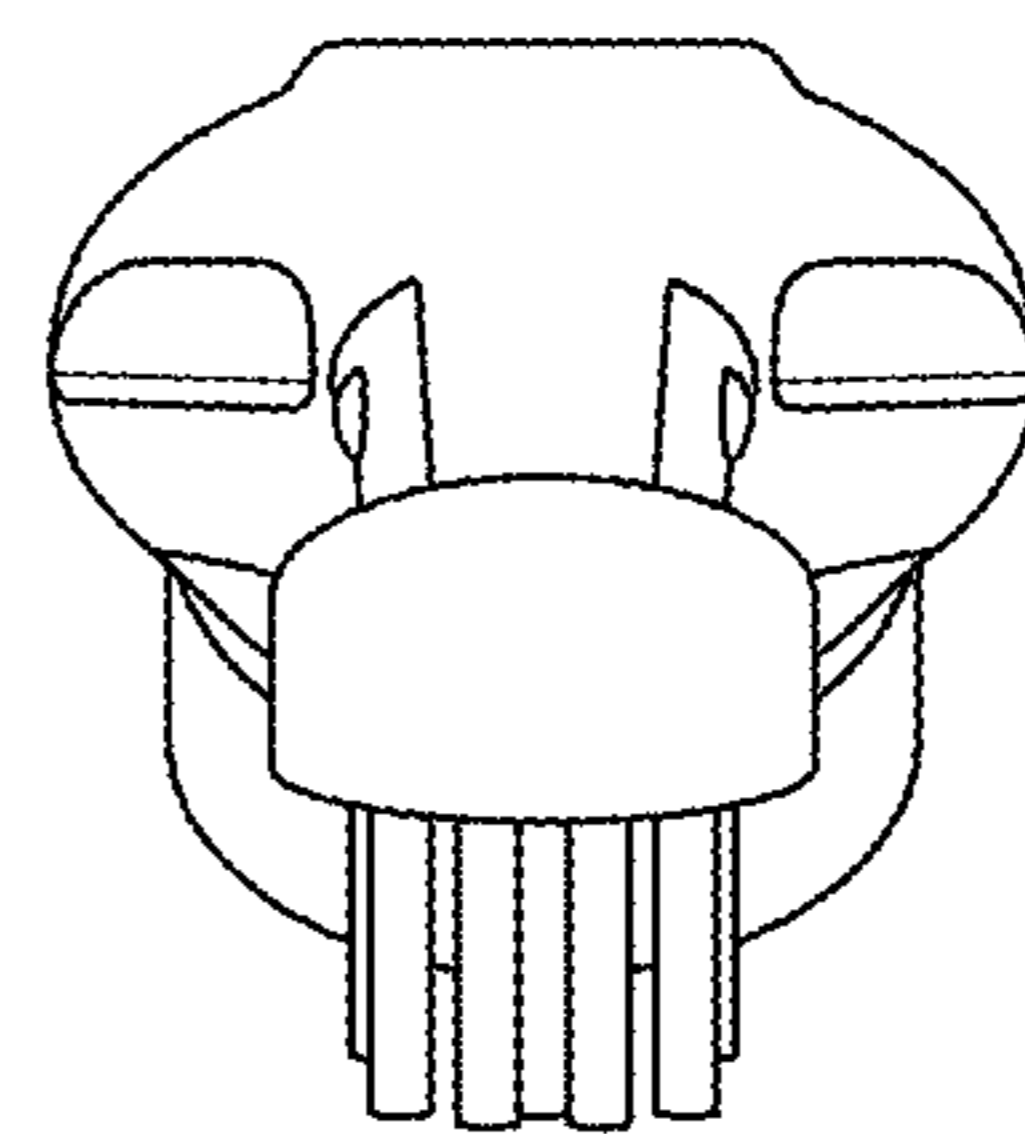


FIG. 14