



US00D879473S

(12) **United States Design Patent**
Lee et al.

(10) **Patent No.:** **US D879,473 S**
(45) **Date of Patent:** **** Mar. 31, 2020**

(54) **METAL GUARD SET FOR ELECTRONIC DEVICE CASE**

(71) Applicant: **elago CO. LTD**, Goyang-si, Gyeonggi-do (KR)

(72) Inventors: **Chanwoo Lee**, Goyang-si (KR); **Chong Min Kim**, Seoul (KR)

(73) Assignee: **elago CO. LTD**, Goyang-si, Gyeonggi-Do (KR)

(**) Term: **15 Years**

(21) Appl. No.: **29/713,837**

(22) Filed: **Nov. 19, 2019**

(51) **LOC (12) Cl.** **03-01**

(52) **U.S. Cl.**
USPC **D3/318; D13/118**

(58) **Field of Classification Search**
USPC D14/220, 223, 224; D13/107, 108, 110, D13/118, 119, 120, 184; D3/201, 294, D3/318

(Continued)

(56) **References Cited**

U.S. PATENT DOCUMENTS

5,887,720 A * 3/1999 Lin H04R 1/10 206/38
6,408,918 B1 * 6/2002 Hummell B32B 38/1841 156/391

(Continued)

FOREIGN PATENT DOCUMENTS

CN 304829426 9/2018
CN 304848243 10/2018

(Continued)

OTHER PUBLICATIONS

<https://www.amazon.com/Innens-Compatible-Keychain-Wireless-Clear-Soft/dp/B0828HJLH9> Nov. 12, 2019 Amazon reference (Year: 2019).*

(Continued)

Primary Examiner — Derrick E Holland
(74) *Attorney, Agent, or Firm* — Paratus Law Group, PLLC

(57) **CLAIM**

The ornamental design for a metal guard set for electronic device case, as shown and described.

DESCRIPTION

FIG. 1 is a front, top, and right perspective view of a metal guard set for electronic device case, showing a first embodiment of claimed design;

FIG. 2 is a front view the first embodiment and a back view thereof is a mirror image;

FIG. 3 is a left side view of the first embodiment and a right view thereof is a mirror image;

FIG. 4 is a top view of the first embodiment;

FIG. 5 is a bottom view of the first embodiment;

FIG. 6 is a first reference view of the first embodiment, which shows the first embodiment of the claimed design before being attached to an electronic device case;

FIG. 7 is a second reference view of the first embodiment, which shows the first embodiment of the claimed design being attached to the electronic device case;

FIG. 8 is a front, top, and right perspective view of a metal guard set for electronic device case, showing a second embodiment of the claimed design;

FIG. 9 is a front view the second embodiment and a back view thereof is a mirror image;

FIG. 10 is a left side view of the second embodiment and a right view thereof is a mirror image;

FIG. 11 is a top view of the second embodiment;

FIG. 12 is a bottom view of the second embodiment;

FIG. 13 is a first reference view of the second embodiment, which shows the second embodiment of the claimed design before being attached to an electronic device case;

FIG. 14 is a second reference view of the second embodiment, which shows the second embodiment of the claimed design being attached to the electronic device case;

FIG. 15 is a front, top, and right perspective view of a metal guard set for electronic device case, showing a third embodiment of the claimed design;

(Continued)

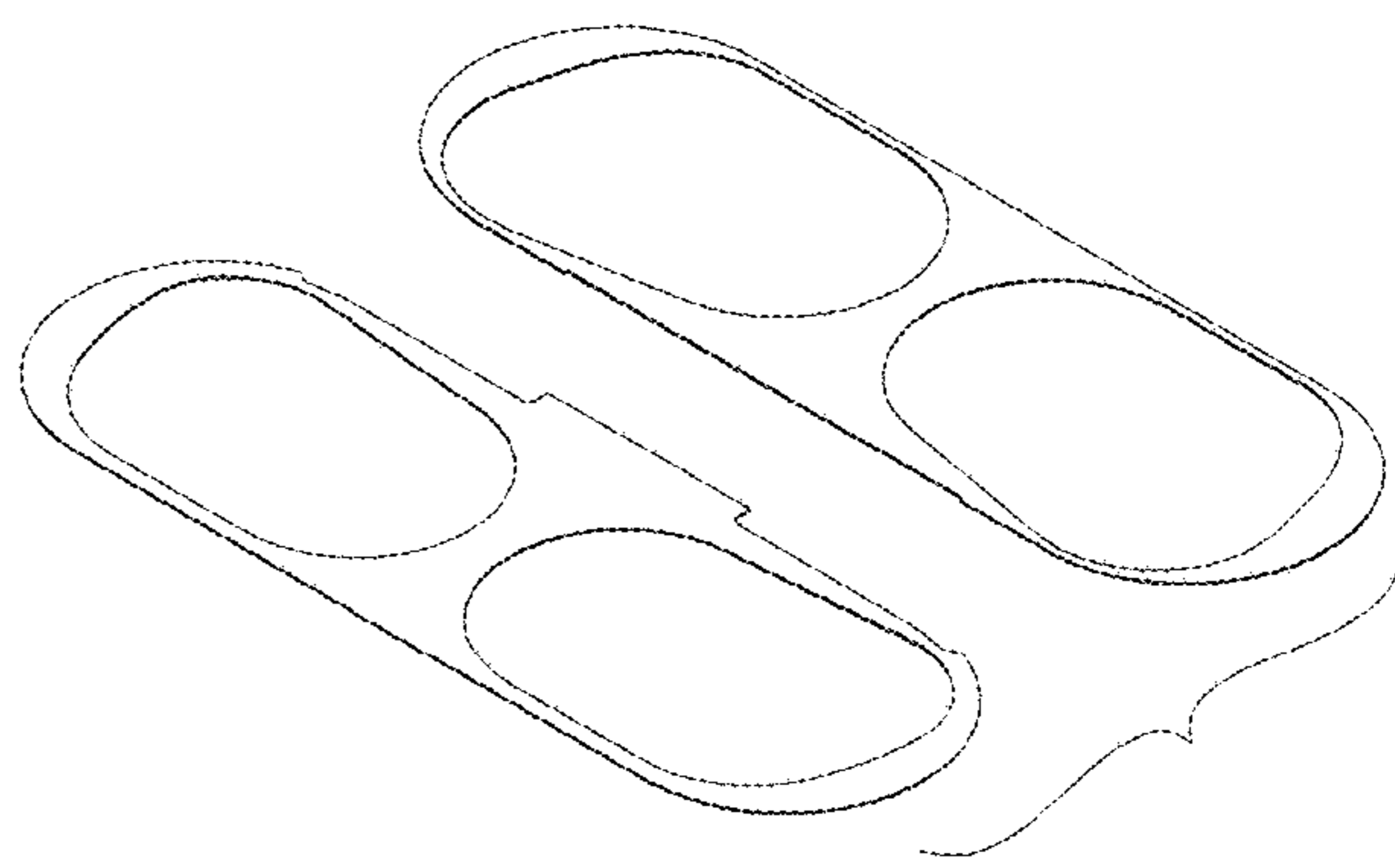
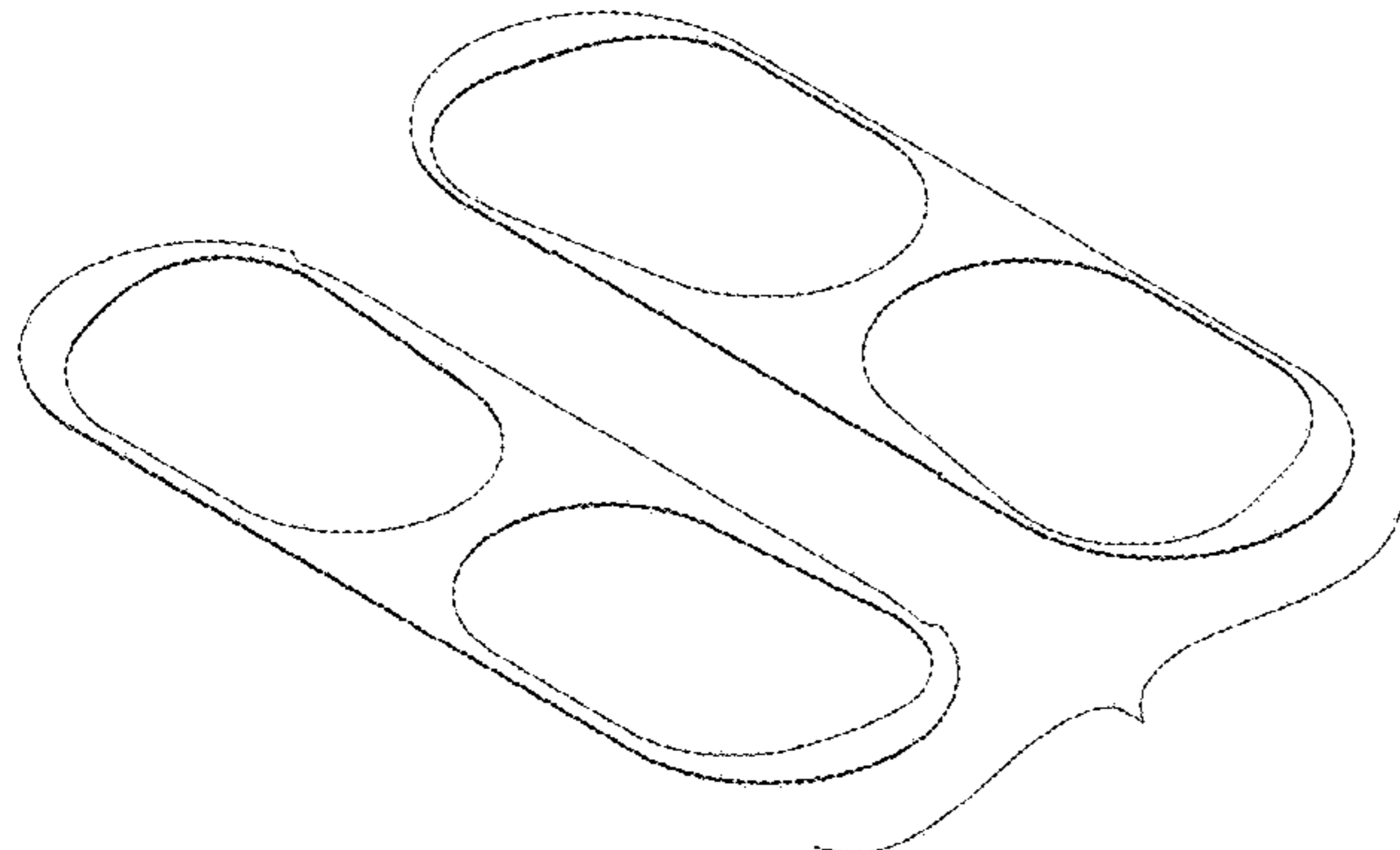


FIG. 16 is a front view the third embodiment and a back view thereof is a mirror image;
 FIG. 17 is a left side view of the third embodiment and a right view thereof is a mirror image;
 FIG. 18 is a top view of the third embodiment;
 FIG. 19 is a bottom view of the third embodiment;
 FIG. 20 is a first reference view of the third embodiment, which shows the third embodiment of the claimed design before being attached to an electronic device case;
 FIG. 21 is a second reference view of the third embodiment, which shows the third embodiment of the claimed design being attached to the electronic device case;
 FIG. 22 is a front, top, and right perspective view of a metal guard set for electronic device case, showing a fourth embodiment of the claimed design;
 FIG. 23 is a front view the fourth embodiment and a back view thereof is a mirror image;
 FIG. 24 is a left side view of the fourth embodiment and a right view thereof is a mirror image;
 FIG. 25 is a top view of the fourth embodiment;
 FIG. 26 is a bottom view of the fourth embodiment;
 FIG. 27 is a first reference view of the fourth embodiment, which shows the fourth embodiment of the claimed design before being attached to an electronic device case; and,
 FIG. 28 is a second reference view of the fourth embodiment, which shows the fourth embodiment of the claimed design being attached to the electronic device case.
 The broken lines shown in FIGS. 6, 7, 13, 14, 20, 21, 27, and 28 depict environment and form no part of the claimed design.

1 Claim, 16 Drawing Sheets

(58) **Field of Classification Search**
 CPC H04R 1/10; H04R 1/18; H04R 1/1033;
 H04R 1/1058; H04R 1/1066; H04R
 1/1075; A45C 5/005; A61C 15/043;
 B65D 1/265
 See application file for complete search history.

(56)

References Cited

U.S. PATENT DOCUMENTS

D772,572 S	11/2016	Palmborg et al.	
D806,388 S	1/2018	Akana et al.	
D821,970 S	7/2018	Loermann et al.	
D826,152 S	8/2018	Christiansen	
D841,581 S	2/2019	Bonahoom et al.	
D843,721 S	3/2019	Yuan	
D844,969 S	4/2019	Xiao	
D849,401 S	5/2019	Akana et al.	
D850,365 S *	6/2019	Loermann	D13/107
D853,116 S	7/2019	Bergman et al.	
D864,110 S	10/2019	Yoshimura	
D865,663 S	11/2019	Yao	
D866,979 S	11/2019	Lee et al.	
2017/0064433 A1 *	3/2017	Hirsch	H02J 7/025

FOREIGN PATENT DOCUMENTS

CN	305092496	4/2019
CN	305103798	4/2019
CN	305119729	4/2019
CN	305144267	5/2019
CN	305172424	5/2019
CN	305221838	6/2019
CN	305227304	6/2019
CN	305231369	6/2019
CN	305260255	7/2019
CN	305455953	11/2019
EM	003784313-0001	6/2017
EM	006365730-0001	4/2019
EM	006598868-0001	7/2019
JP	D1646556	11/2019

OTHER PUBLICATIONS

<https://www.amazon.com/Wireless-Charging-Replacement-Compatible-Bluetooth/dp/B07YYFV171> Oct. 10, 2019 Amazon reference (Year: 2019).*

* cited by examiner

FIG. 1

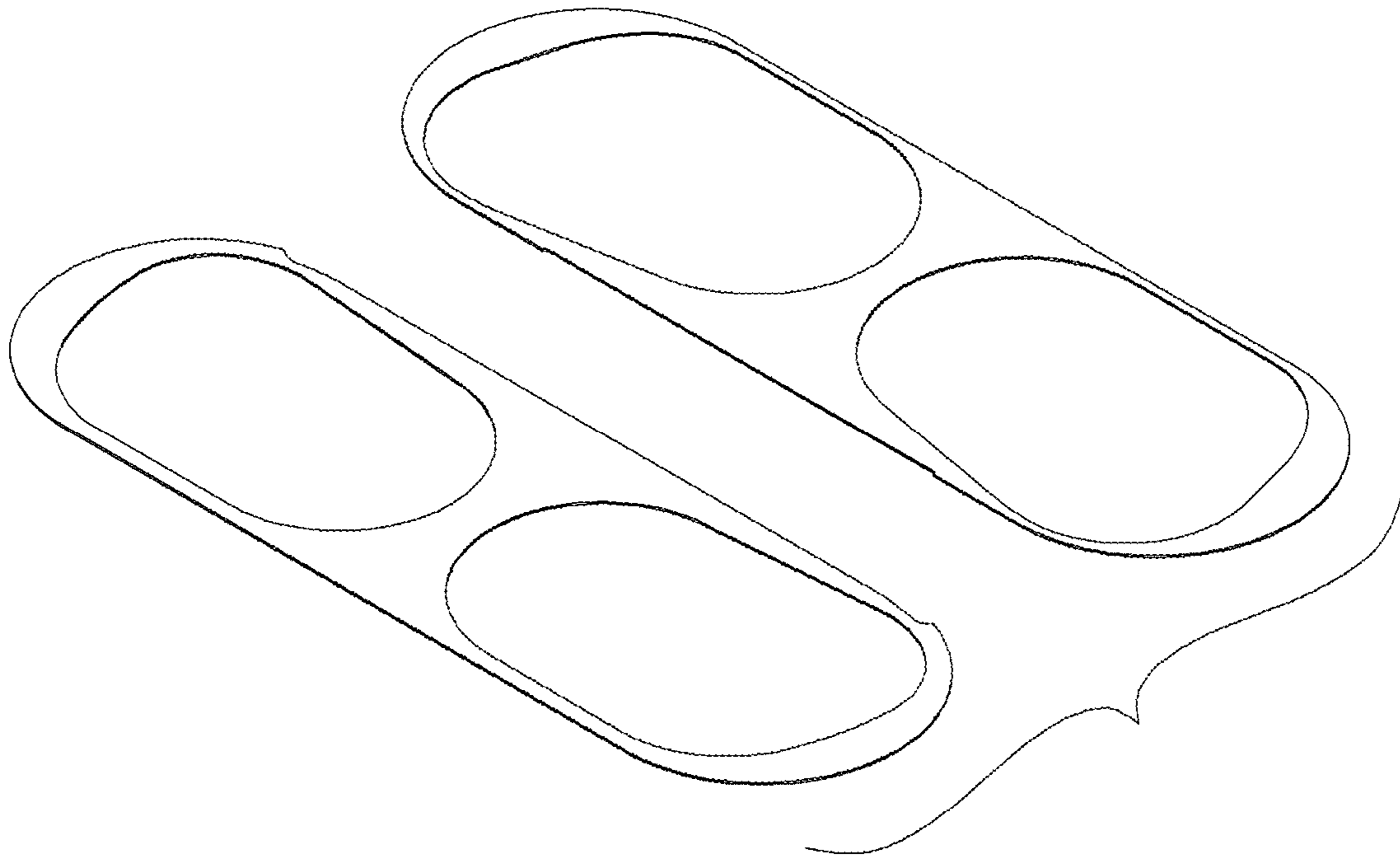


FIG. 2

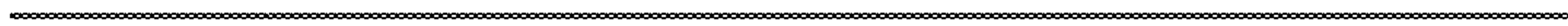


FIG. 3

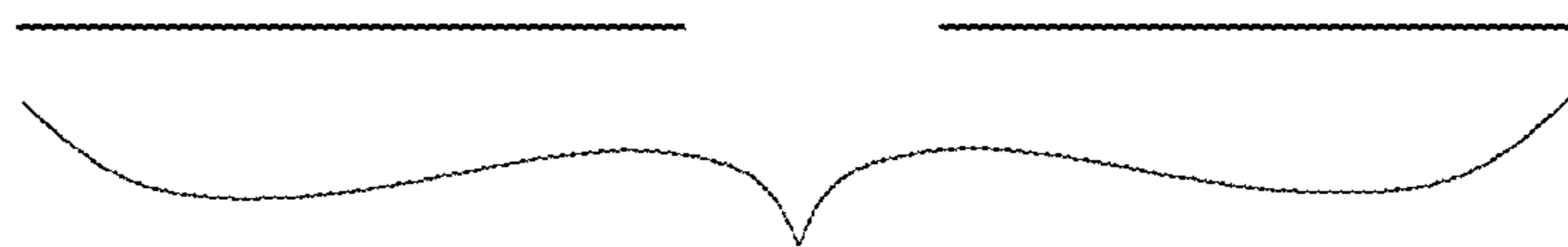


FIG. 4

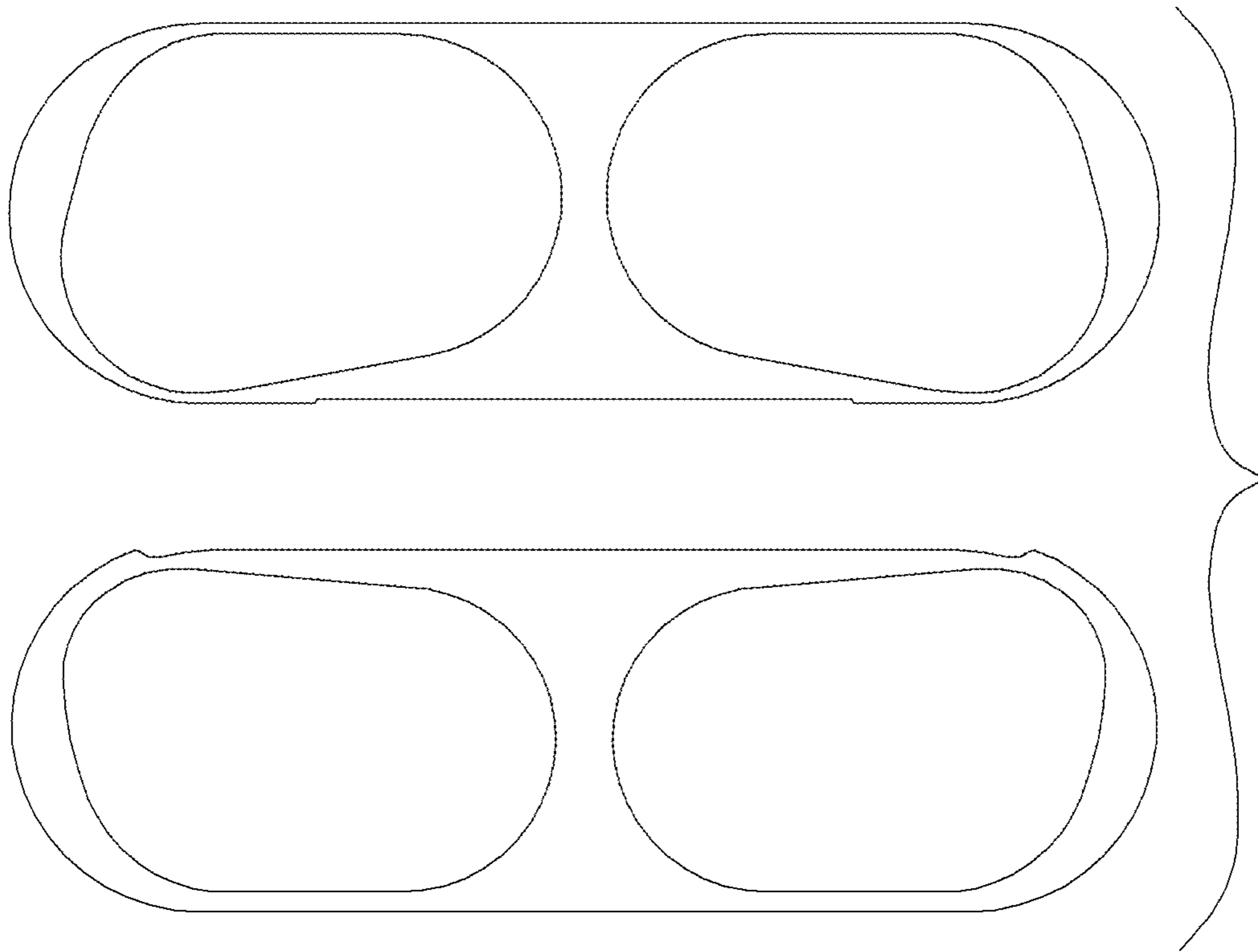


FIG. 5

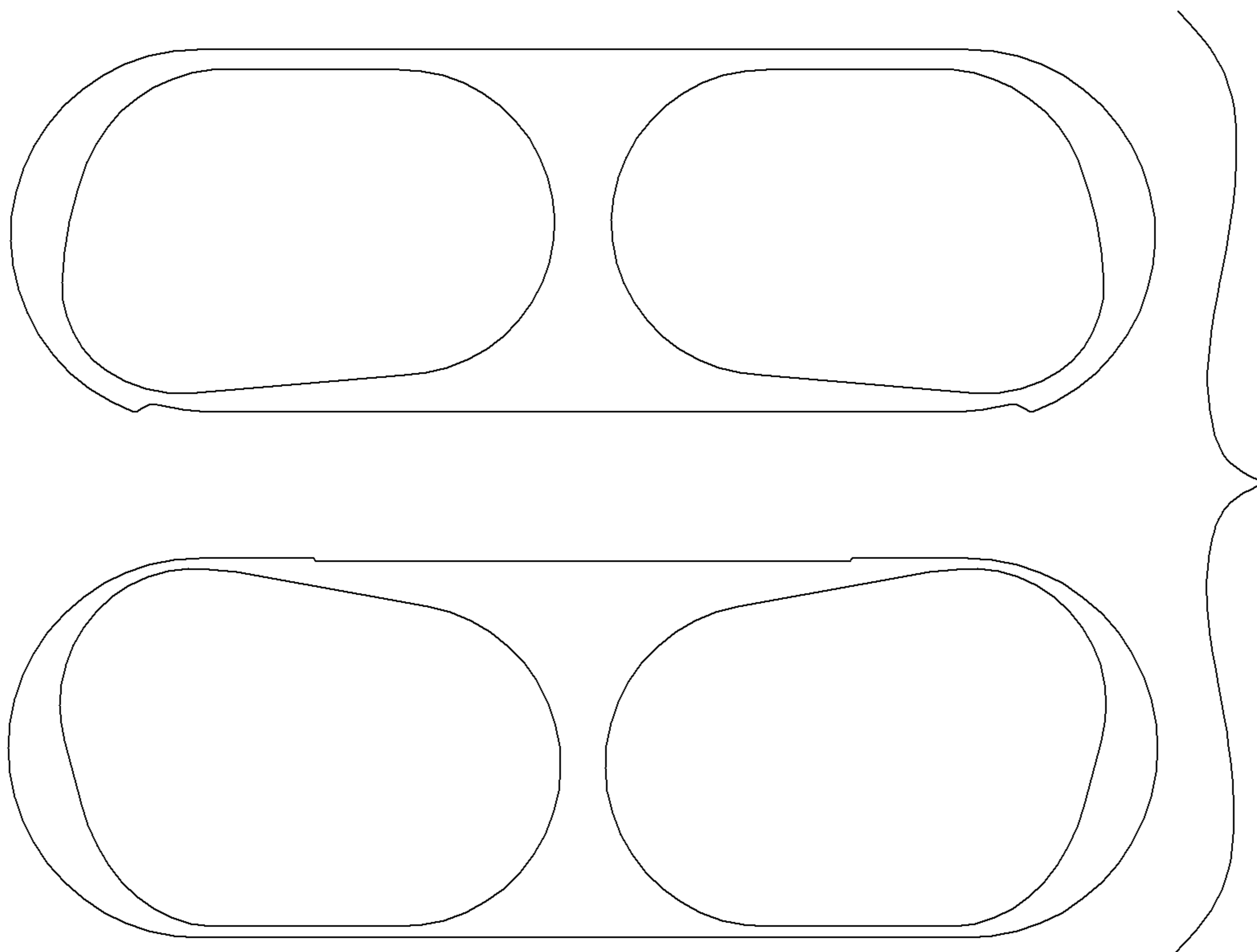


FIG. 6

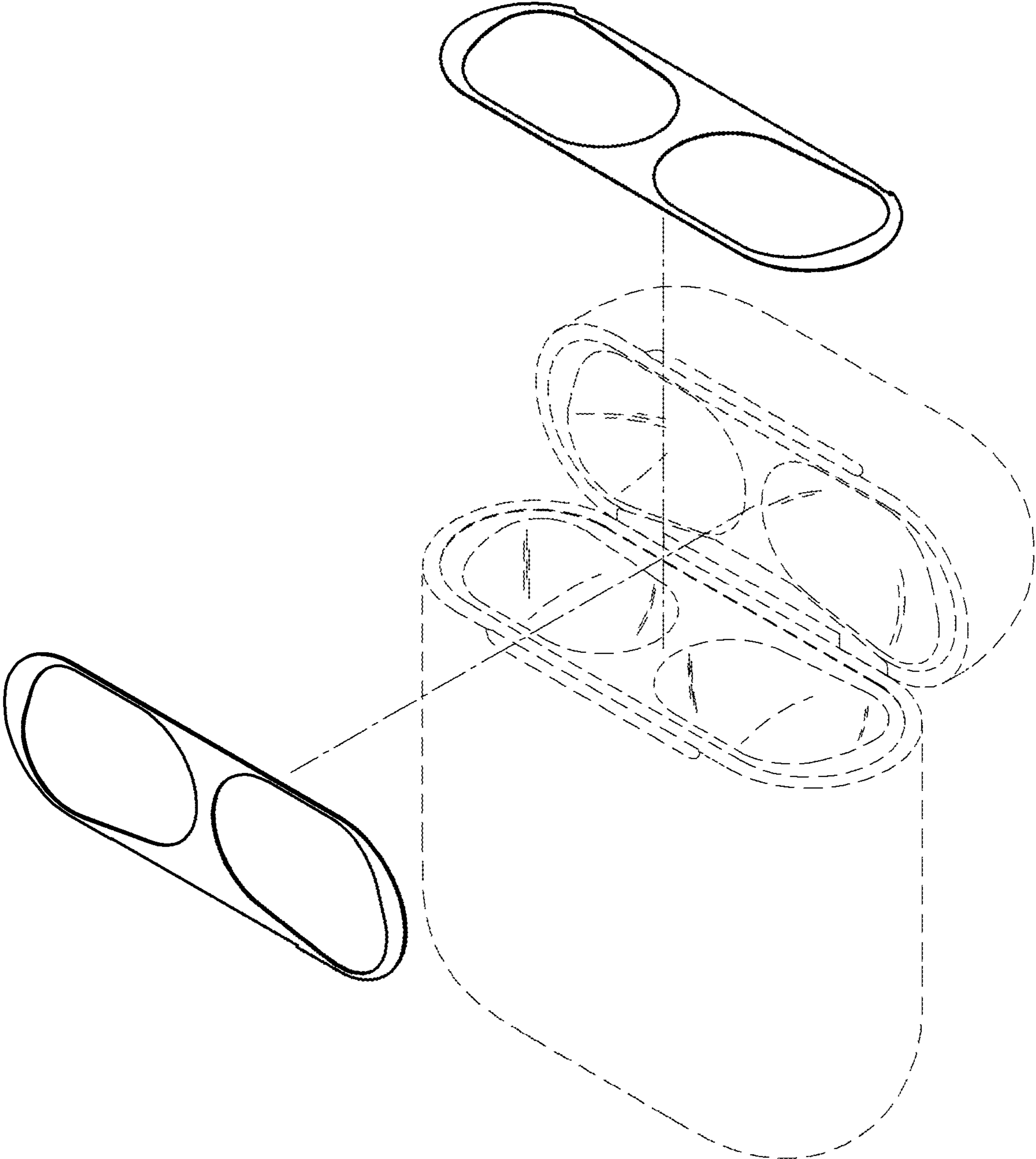


FIG. 7

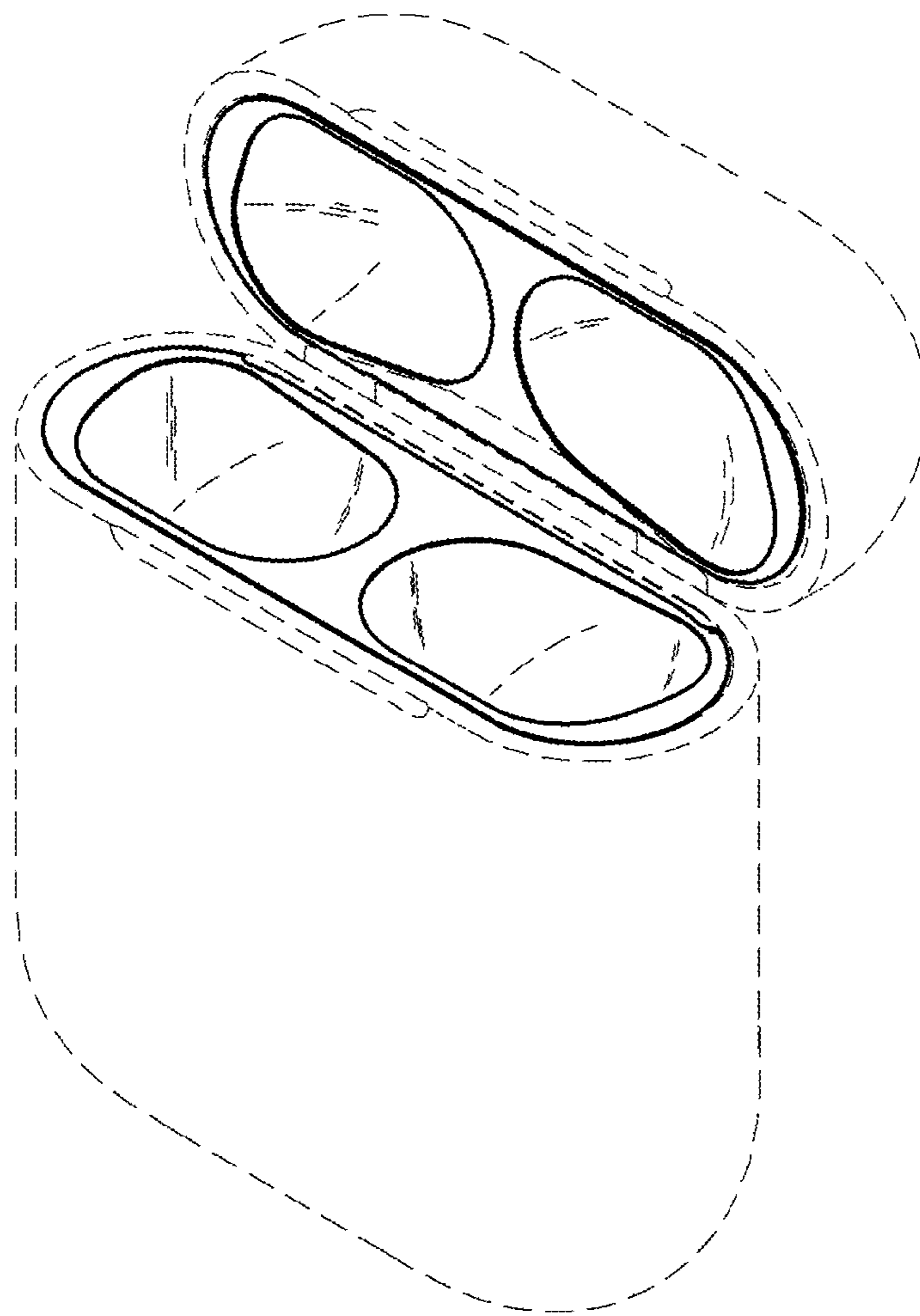


FIG. 8

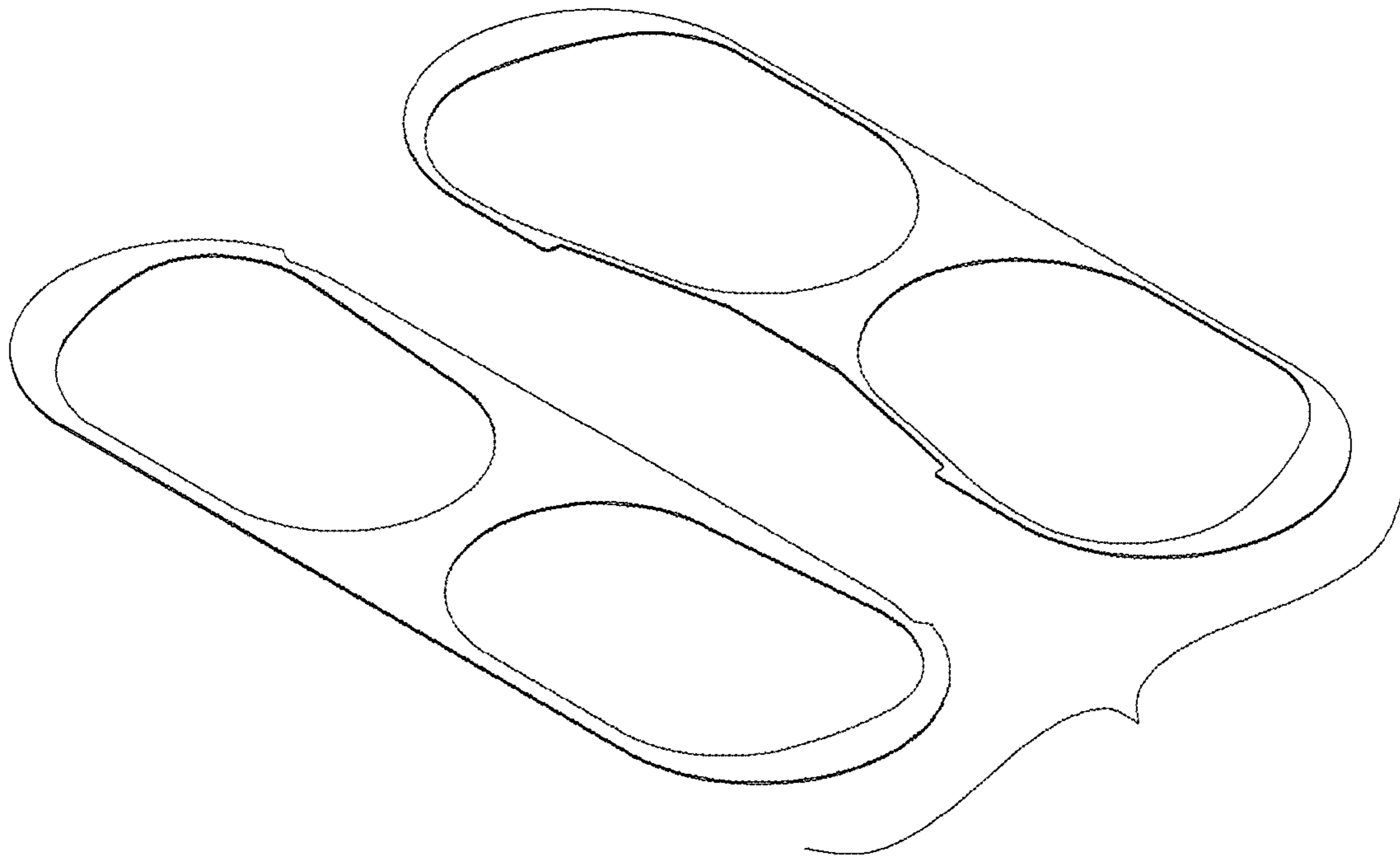


FIG. 9

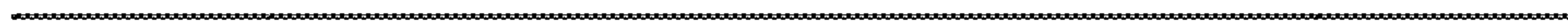


FIG. 10

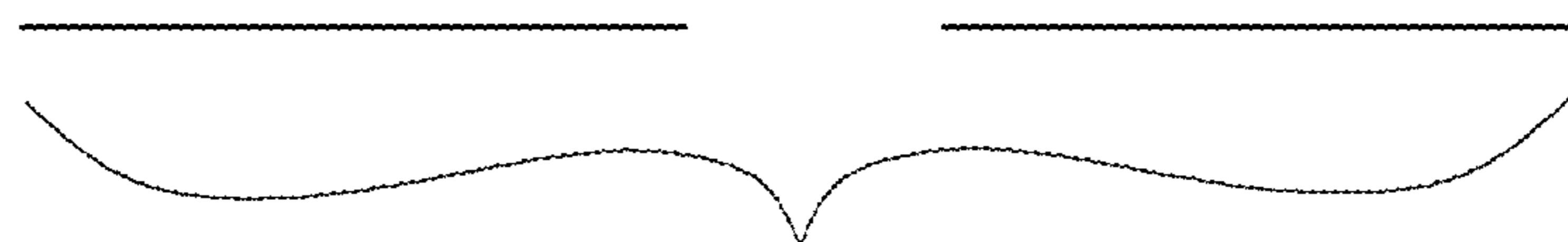


FIG. 11

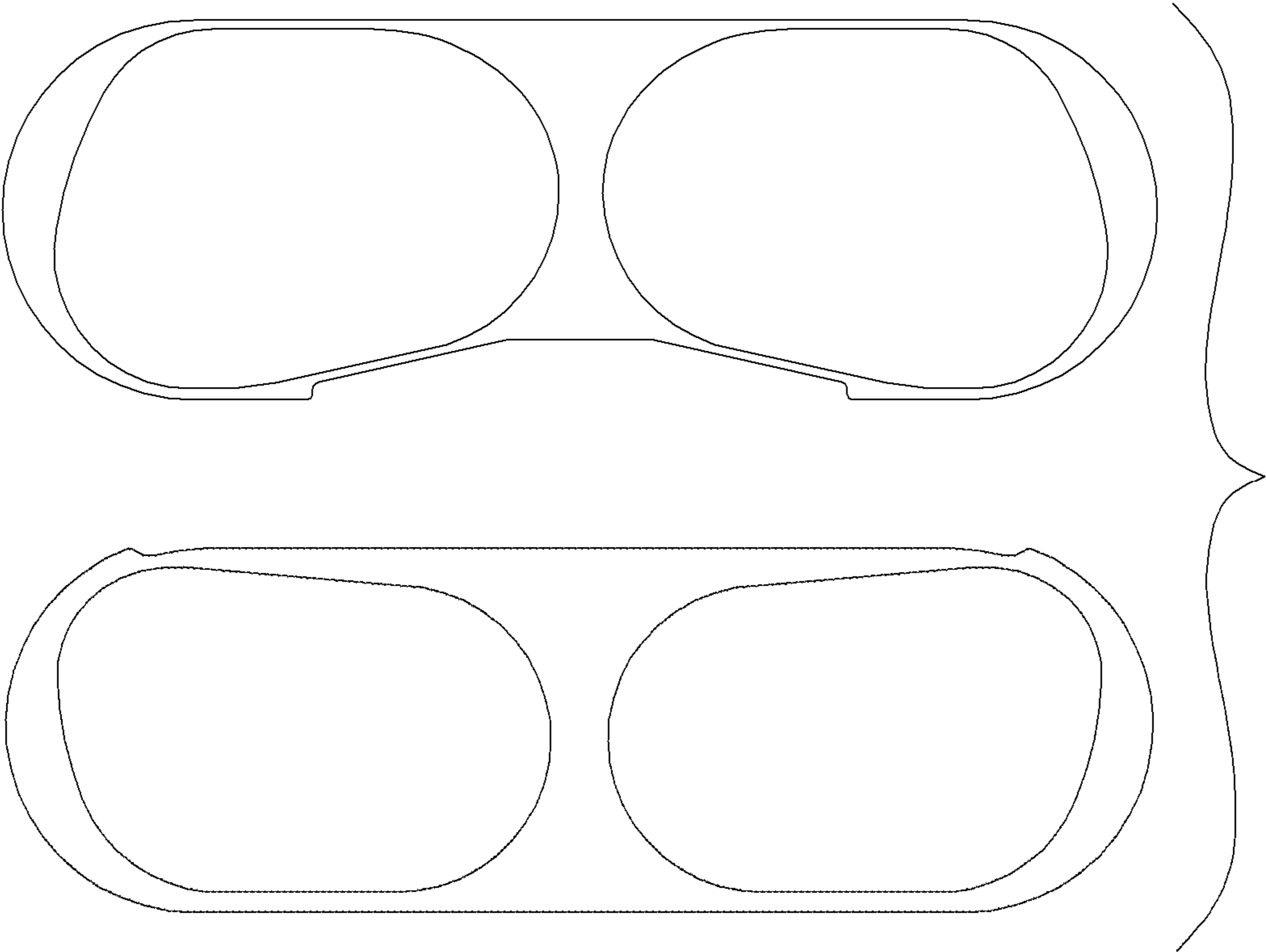


FIG. 12

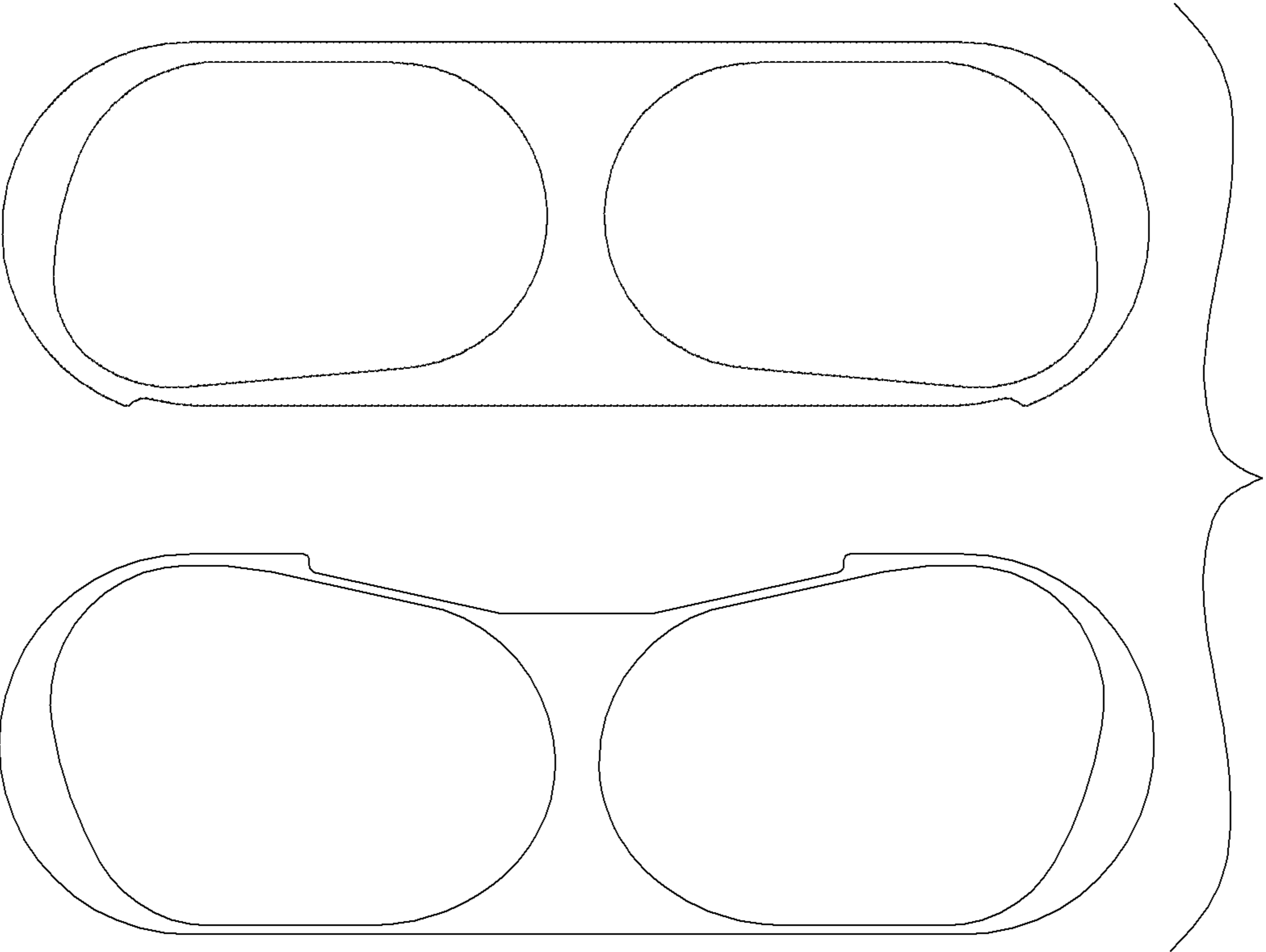


FIG. 13

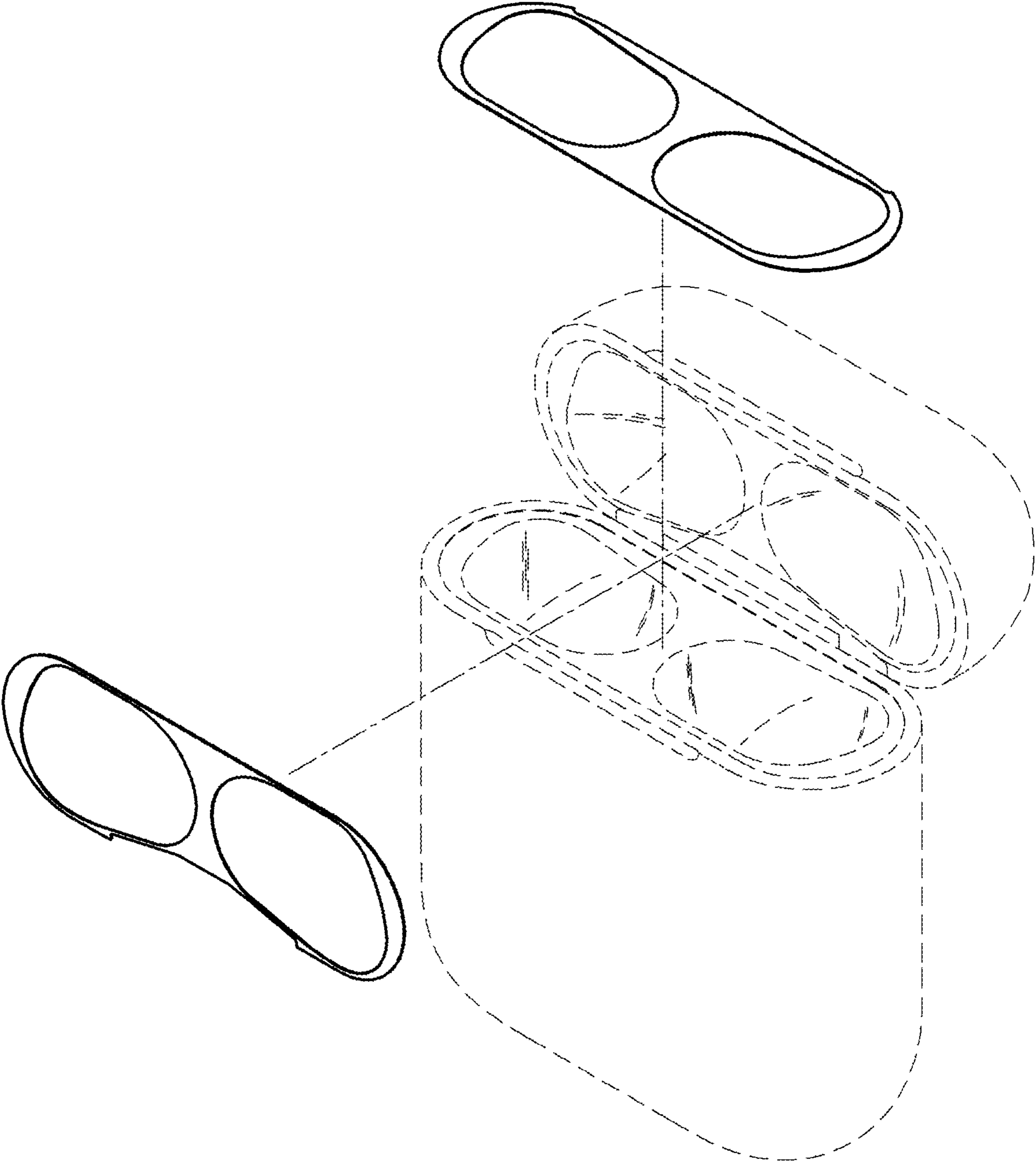


FIG. 14

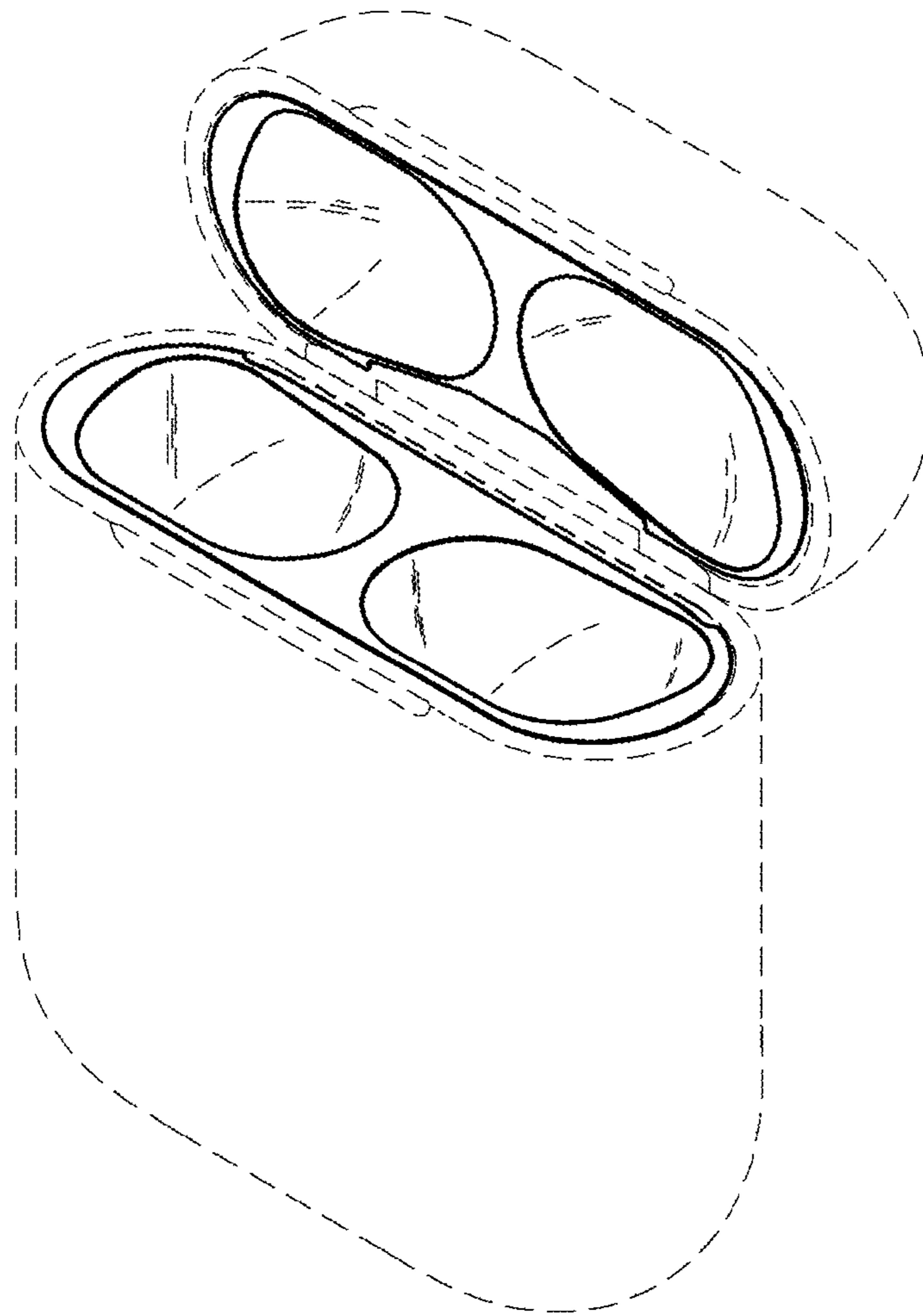


FIG. 15

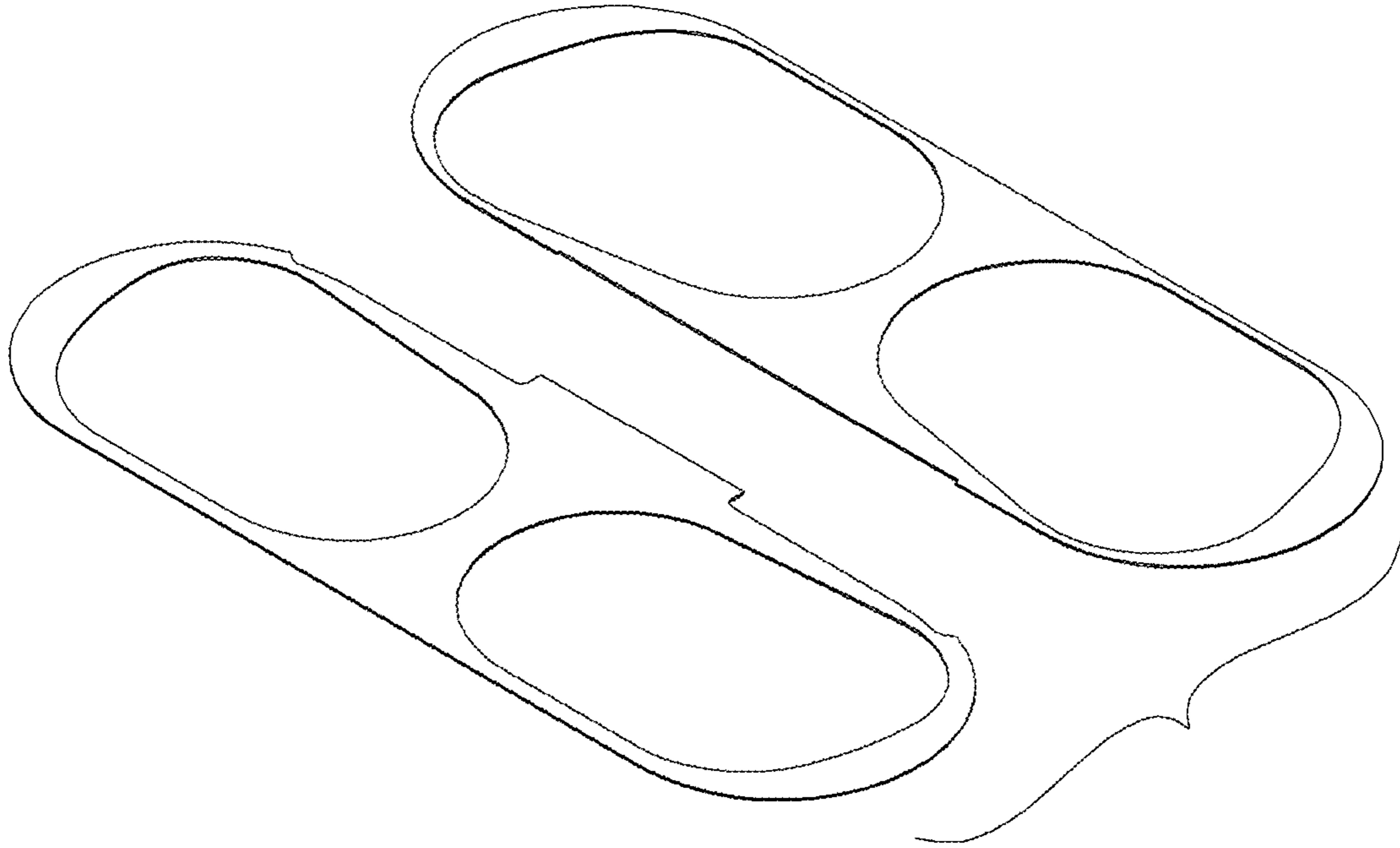


FIG. 16

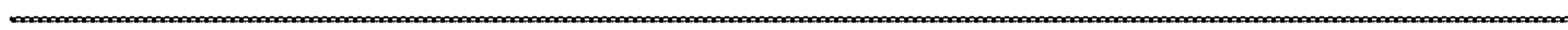


FIG. 17

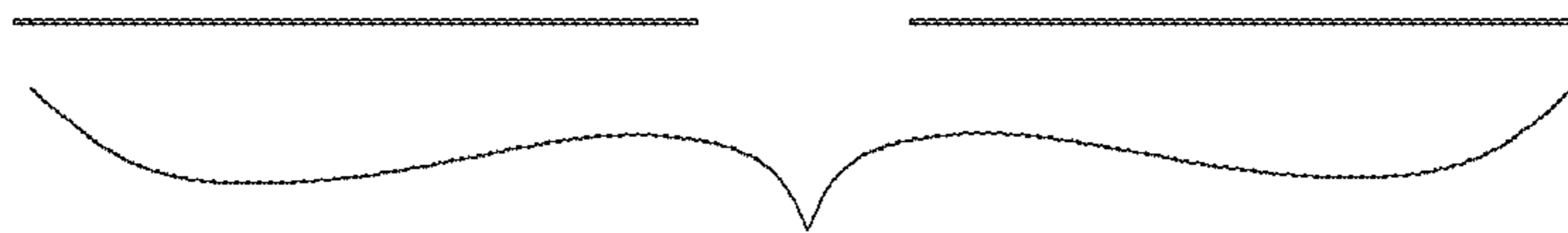


FIG. 18

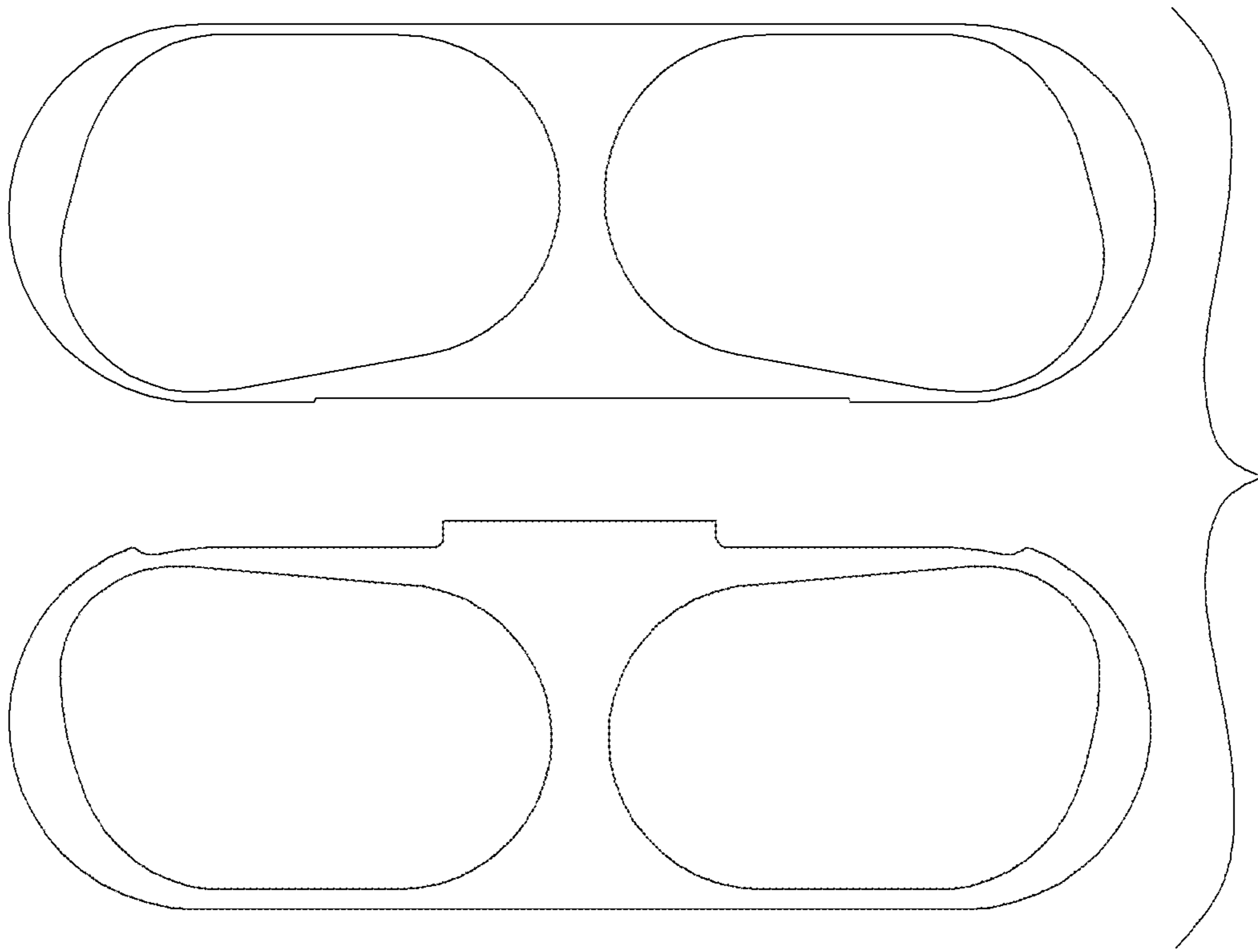


FIG. 19

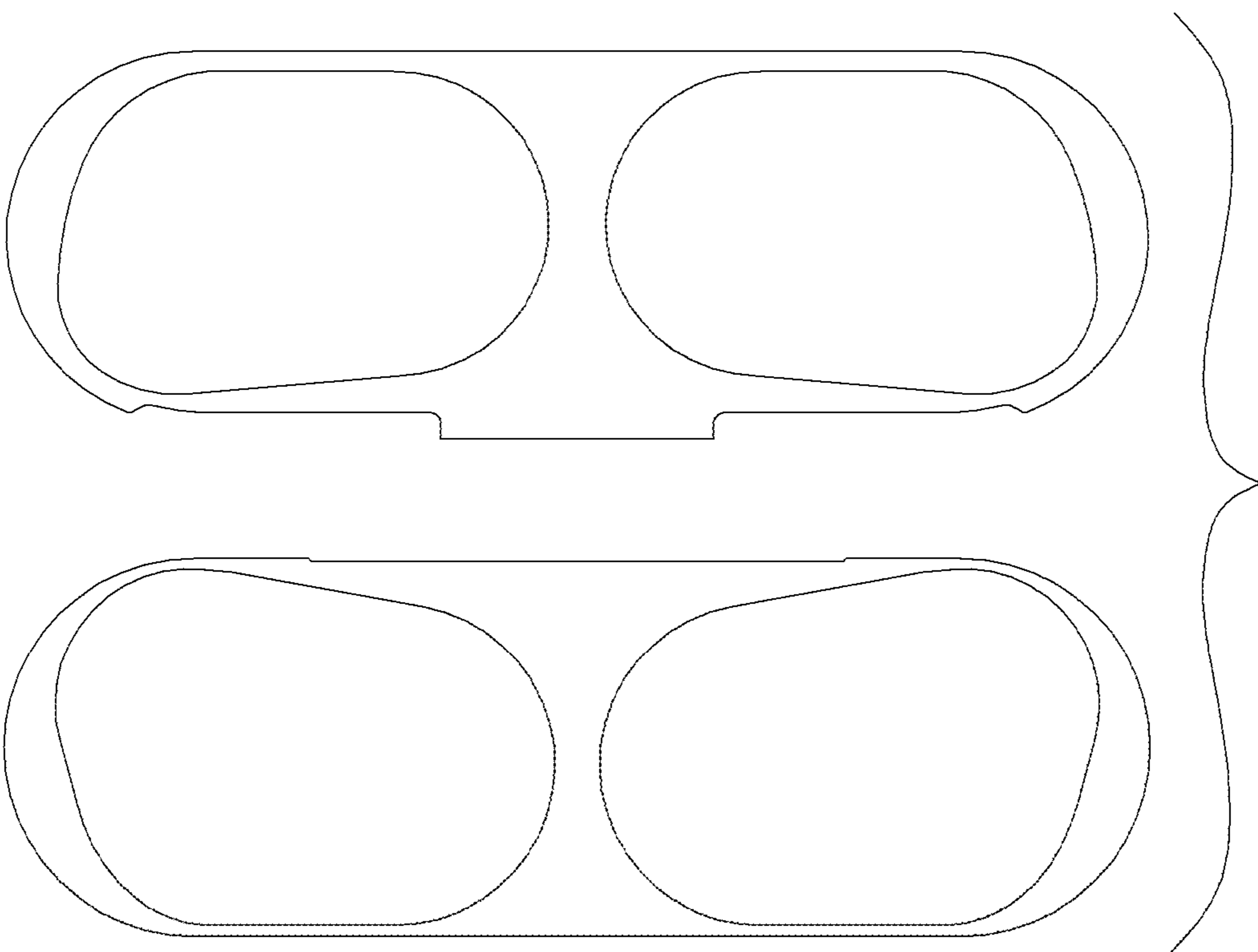


FIG. 20

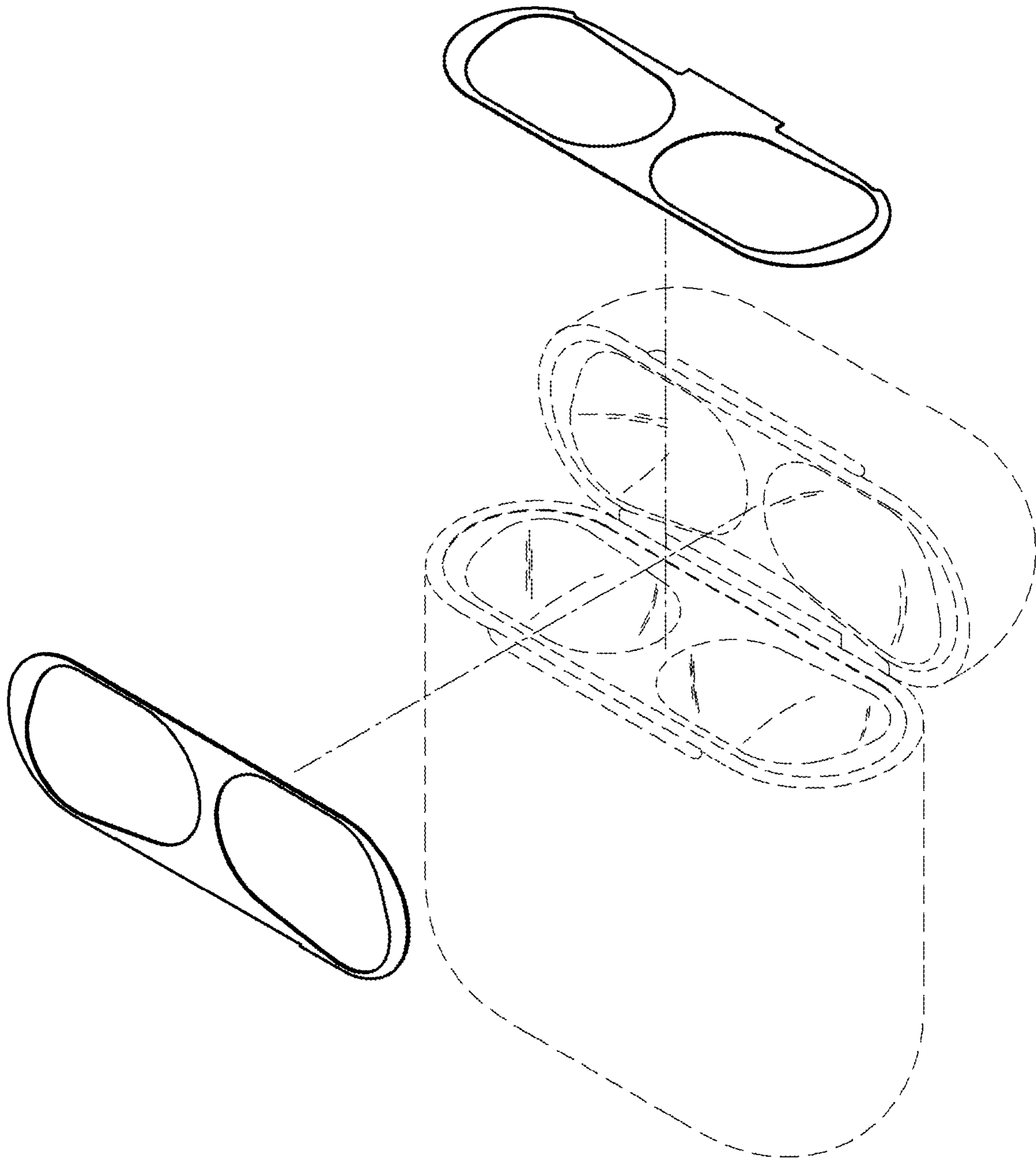


FIG. 21

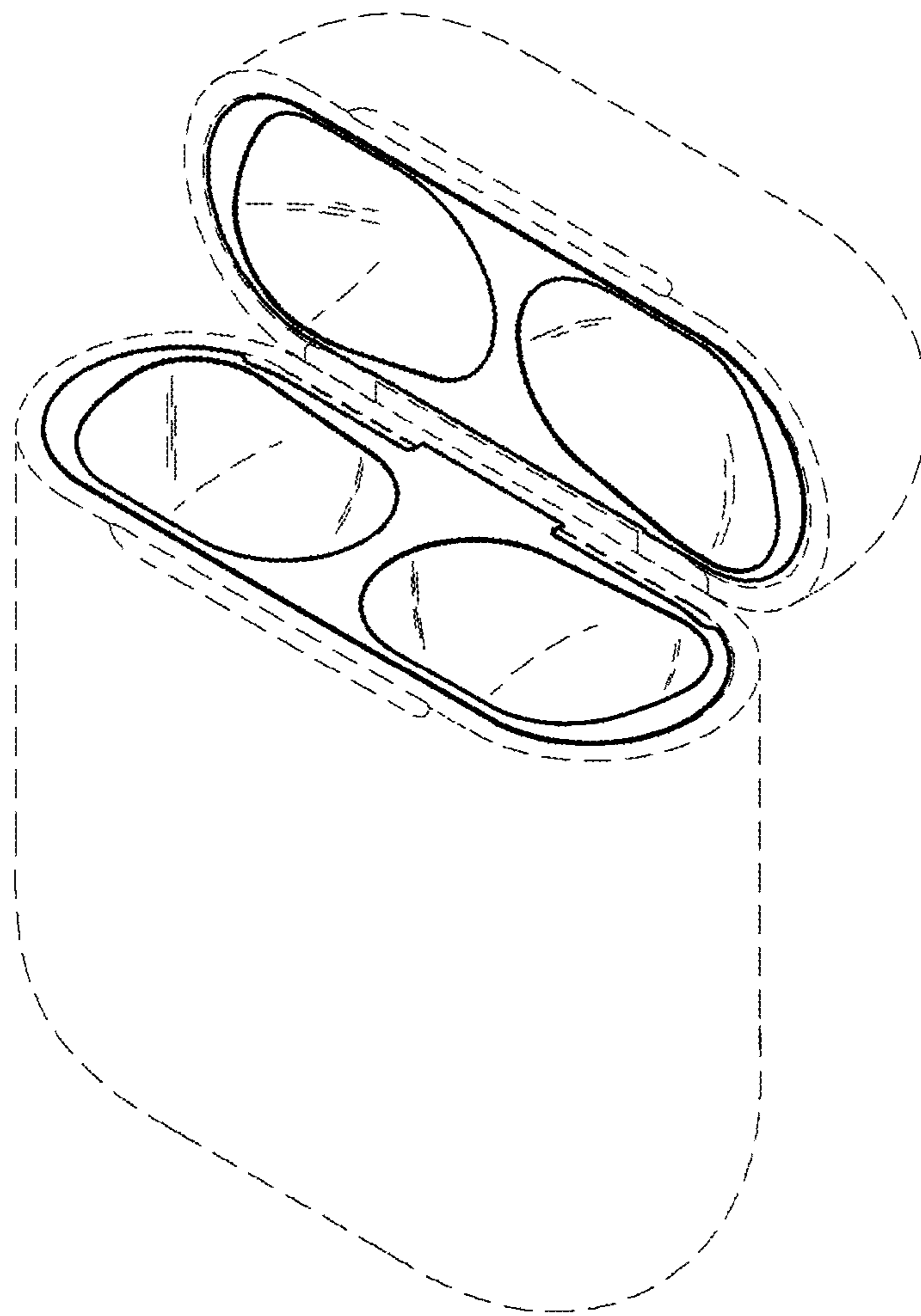


FIG. 22

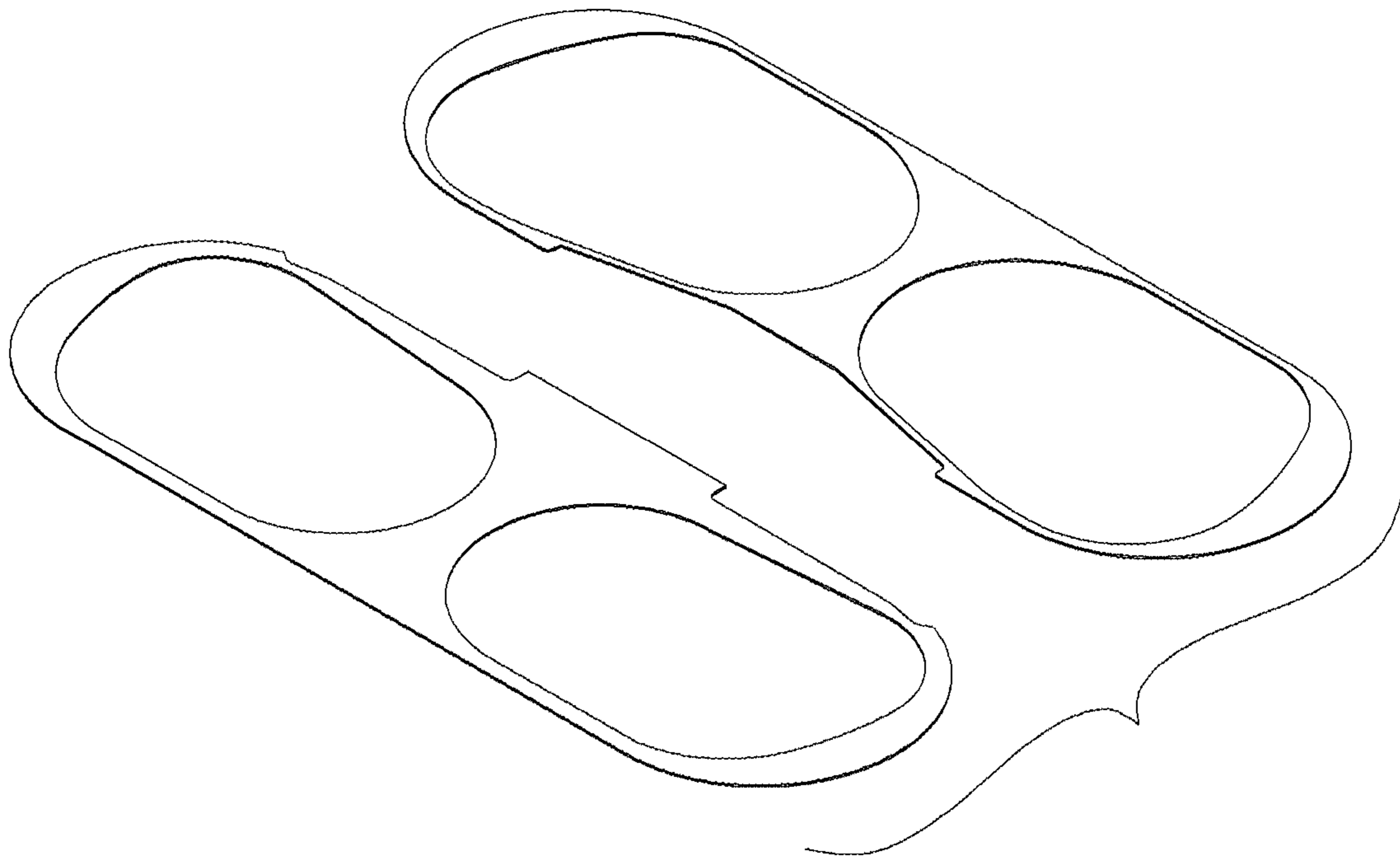


FIG. 23



FIG. 24

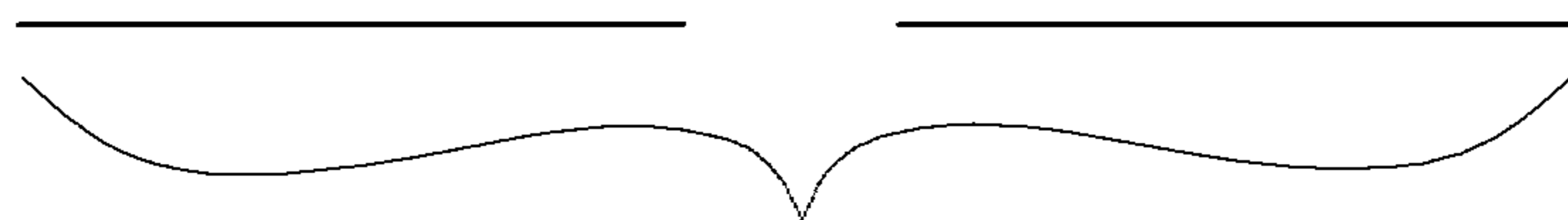


FIG. 25

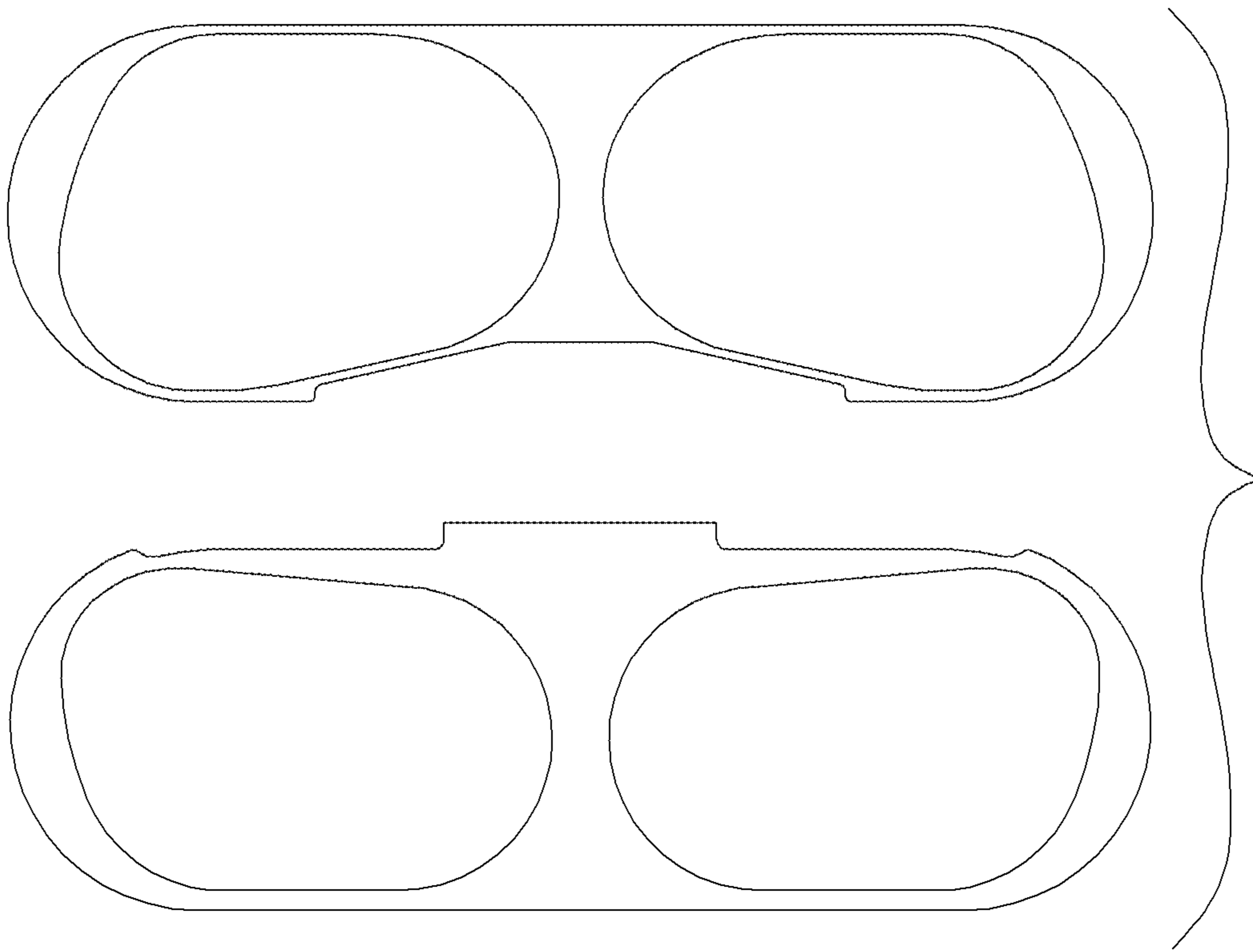


FIG. 26

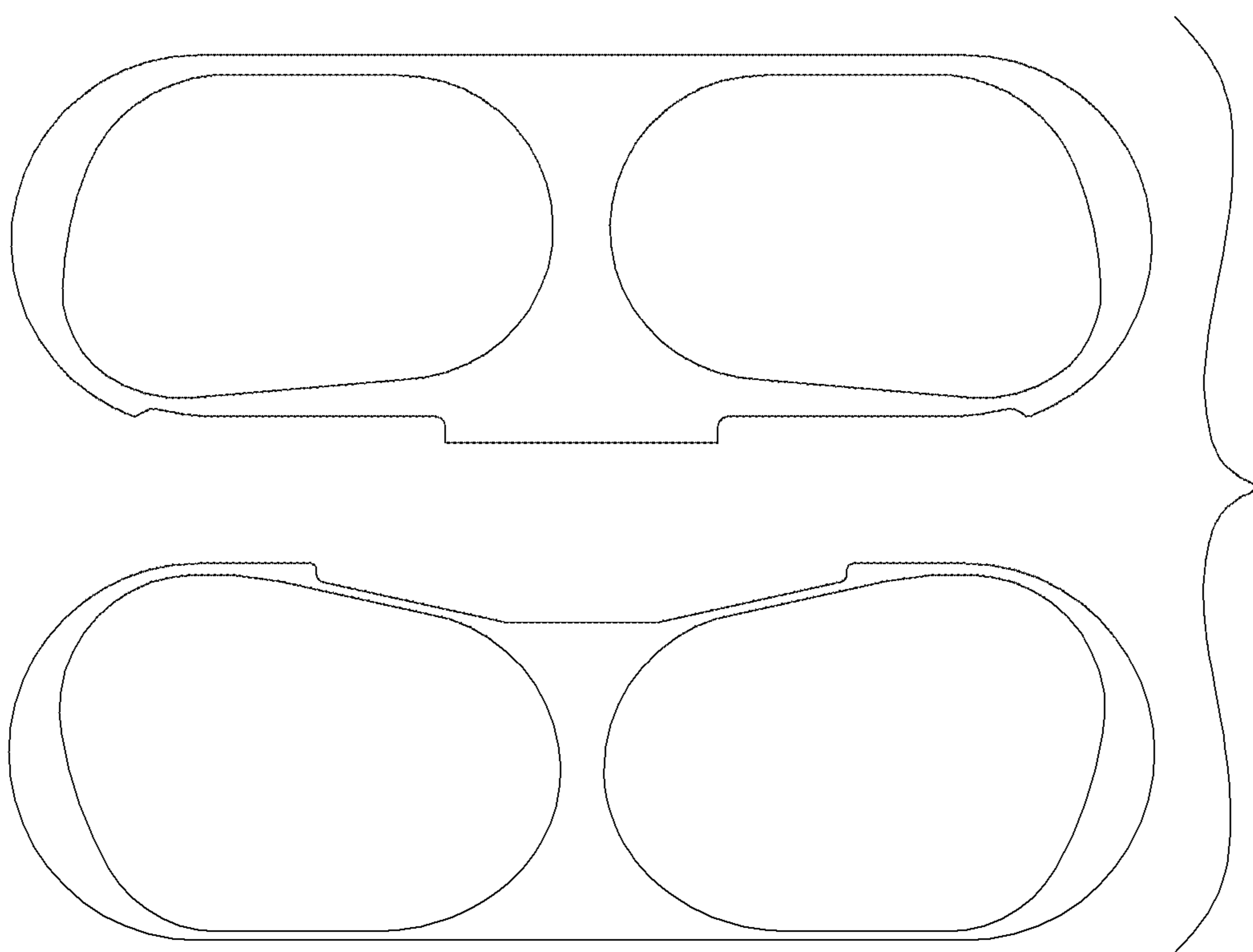


FIG. 27

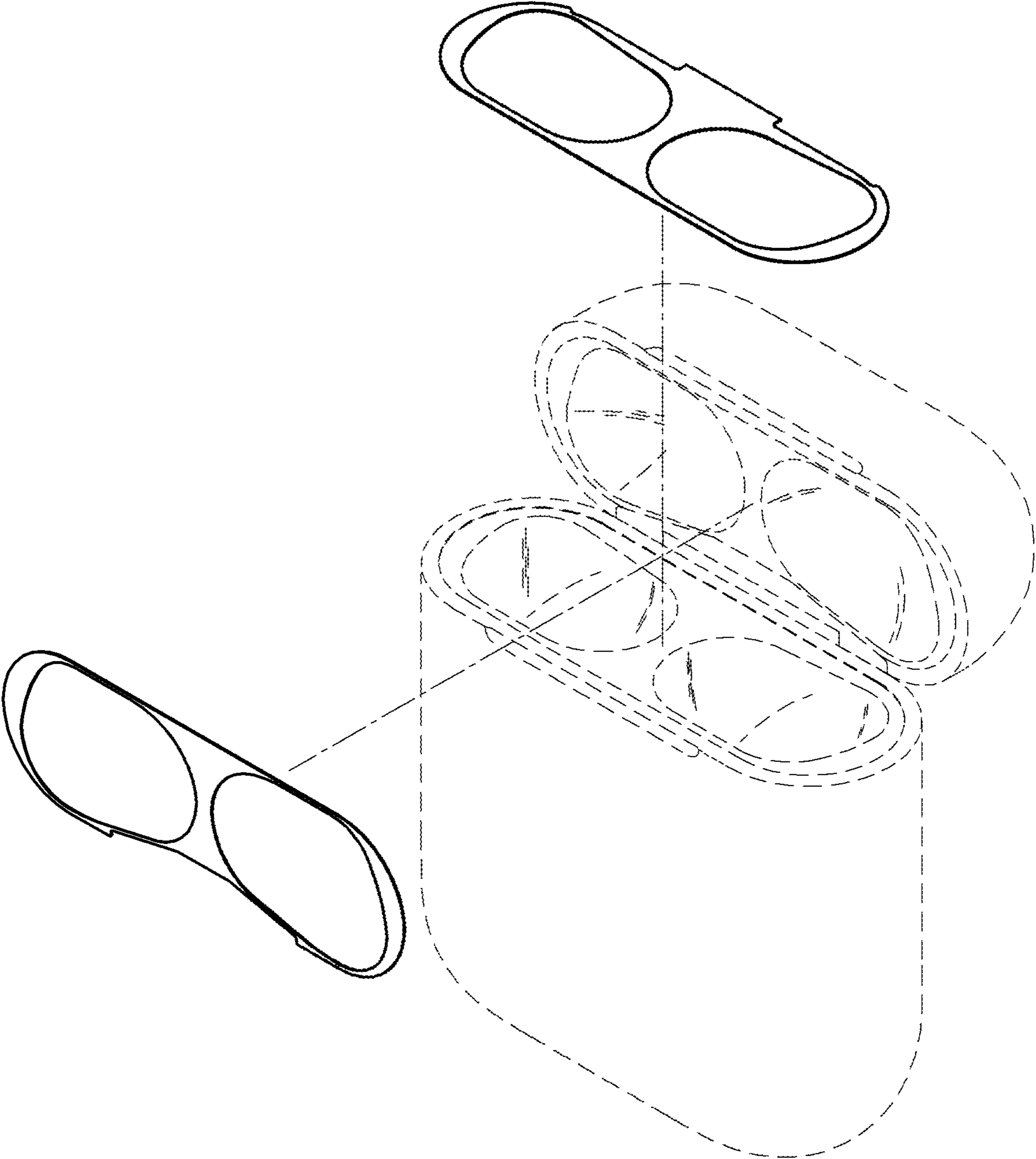


FIG. 28

