



US00D879471S

(12) **United States Design Patent** (10) **Patent No.:** **US D879,471 S**  
**Nelson** (45) **Date of Patent:** **\*\* Mar. 31, 2020**

(54) **STORAGE TOTE** D648,535 S 11/2011 Reinhart et al.  
 D650,174 S 12/2011 Ahlstrom  
 D657,143 S 4/2012 Jowett  
 D658,376 S 5/2012 Ahlstrom  
 D719,731 S 12/2014 Burgess et al.  
 D728,887 S \* 5/2015 Kernen ..... B65D 19/04  
 D34/1

(71) Applicant: **Home Depot Product Authority, LLC,**  
 Atlanta, GA (US)

(72) Inventor: **Michael Nelson,** Peachtree City, GA  
 (US)

(73) Assignee: **Home Depot Product Authority, LLC,**  
 Atlanta, GA (US)

(\*\*) Term: **15 Years**

(21) Appl. No.: **29/682,283**

(22) Filed: **Mar. 4, 2019**

D738,623 S 9/2015 Wood  
 D791,478 S 7/2017 Jowett et al.  
 D844,325 S \* 4/2019 Nelson ..... D3/279  
 D846,875 S \* 4/2019 Nelson ..... D3/282  
 D855,325 S \* 8/2019 Nelson ..... D3/318  
 2014/0190861 A1 \* 7/2014 Carrel ..... B65D 21/0233  
 206/518  
 2015/0367988 A1 \* 12/2015 Stanek ..... B65D 21/0224  
 29/428

OTHER PUBLICATIONS

[https://www.walmart.com/ip/Rubbermaid-Roughneck-Storage-Tote/117698092?wmlspartner . . .](https://www.walmart.com/ip/Rubbermaid-Roughneck-Storage-Tote/117698092?wmlspartner...), Rubbermaid Roughneck Storate Tote, Dec. 8, 2017, 5 pgs.

(Continued)

*Primary Examiner* — April Rivas  
(74) *Attorney, Agent, or Firm* — Greenberg Traurig, LLP

(57) **CLAIM**

I claim the ornamental design for a storage tote, as shown and described.

**DESCRIPTION**

FIG. 1 is a front perspective view of my design;  
FIG. 2 is a front view thereof, the rear view being a mirror image thereof;  
FIG. 3 is a left side view thereof, the right side being a mirror image thereof;  
FIG. 4 is a top view thereof;  
FIG. 5 is a bottom view thereof; and,  
FIG. 6 is a rear perspective view thereof.

**1 Claim, 6 Drawing Sheets**

**Related U.S. Application Data**

(62) Division of application No. 29/631,427, filed on Dec. 29, 2017, now Pat. No. Des. 846,875.

(51) **LOC (12) Cl.** ..... **03-01**

(52) **U.S. Cl.**  
 USPC ..... **D3/282; D3/302**

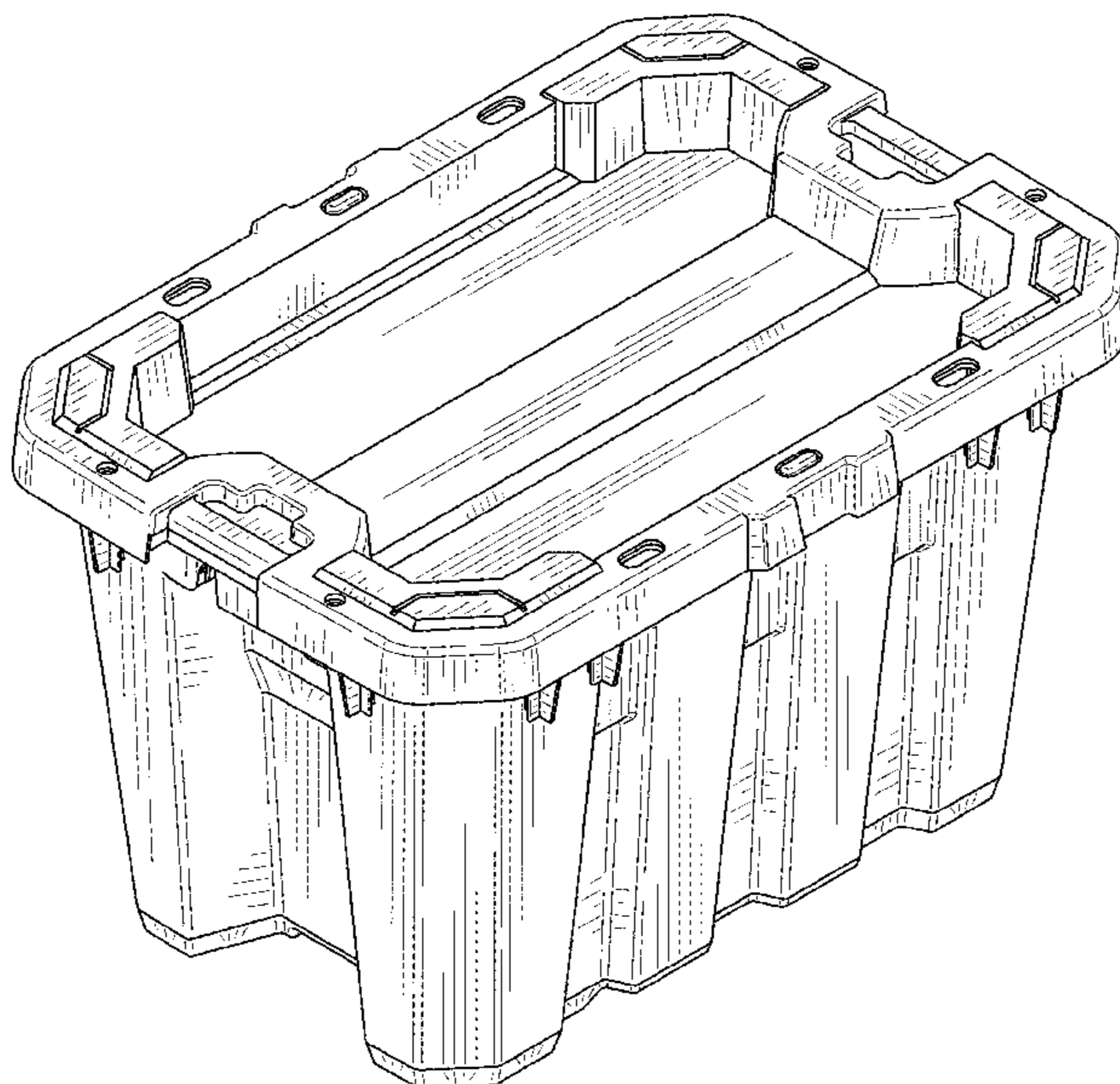
(58) **Field of Classification Search**  
 USPC ..... D3/273, 274, 276, 279, 281, 282, 291,  
 D3/294, 298, 905, 302, 272  
 CPC ..... B65D 21/0233; B65D 21/0222; B25H  
 3/003; B25H 3/006; B25H 3/02; H02G  
 3/10; H02G 3/12  
 See application file for complete search history.

**References Cited**

U.S. PATENT DOCUMENTS

(56)

D382,112 S \* 8/1997 Egan ..... D3/273  
 D397,552 S 9/1998 Rutledge  
 D432,787 S \* 10/2000 Holahan ..... D3/272  
 D578,758 S \* 10/2008 Stevens ..... D3/272  
 D580,170 S 11/2008 Klotzman et al.  
 D597,383 S 8/2009 Masterton et al.  
 D606,306 S 12/2009 Monte



(56)

**References Cited**

OTHER PUBLICATIONS

<https://www.walmart.com/ip/Sterilite-50-Gal-189-L-Stacker-Tote-Black/43393267>, Sterilite, 50 Gal./189 L Stacker Tote, Black, Dec. 8, 2017, 11 pgs.

<https://www.homedepot.com/p/HDX-27-Gal-Storage-Tote-in-Black-5-Pack-HDX27GON...>, HDX 27 Gal. Storage Tote in Black (5-Pack), Dec. 8, 2017, 3 pgs.

<https://www.target.com/p/sterilite-174-108-qt-industrial-utility-storage-tote-black-with-red...>, Sterilite 108 Qt Industrial Utility Storage Tote—Black with Red Latch, Dec. 8, 2017, 4 pgs.

\* cited by examiner

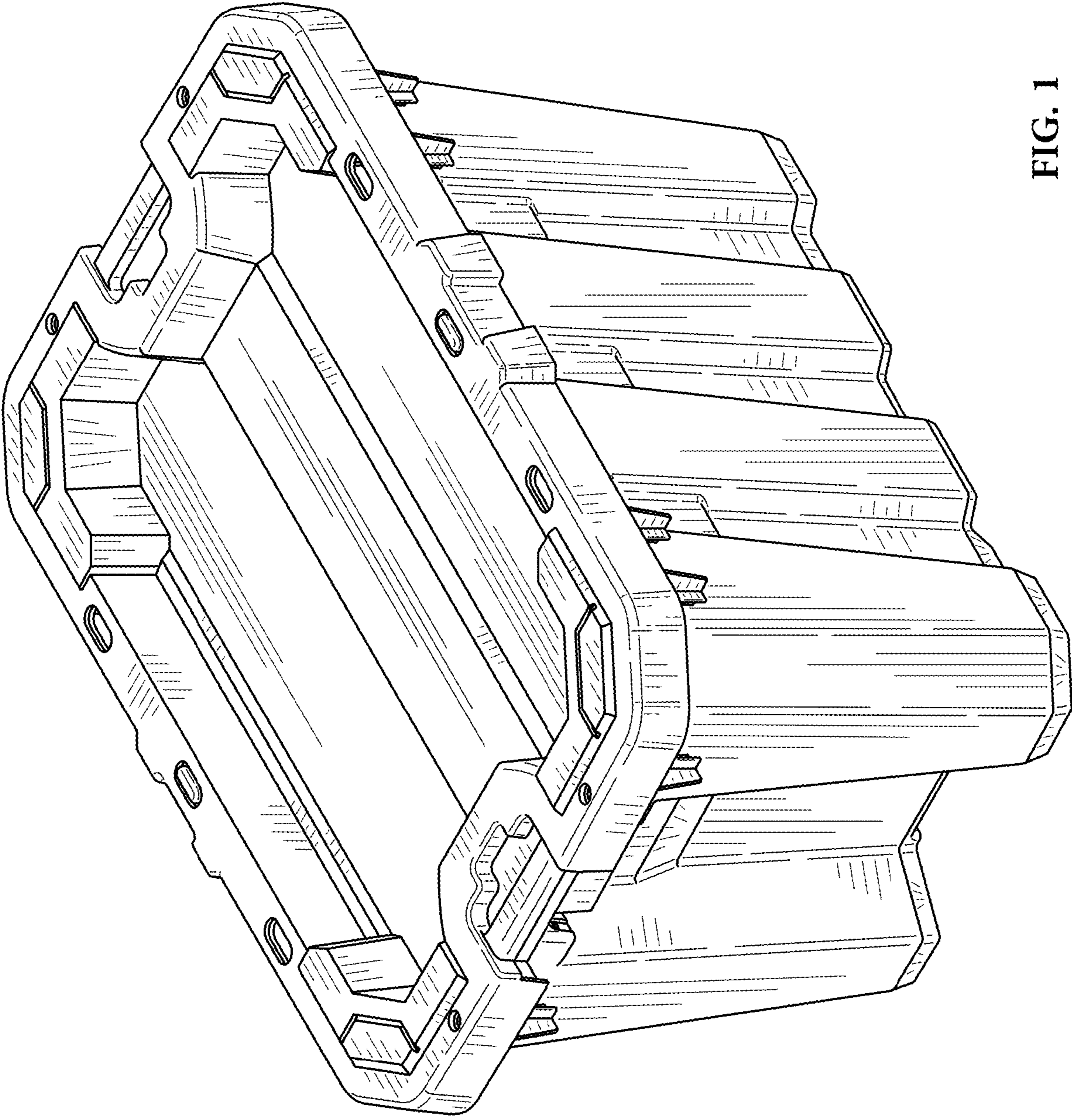


FIG. 1

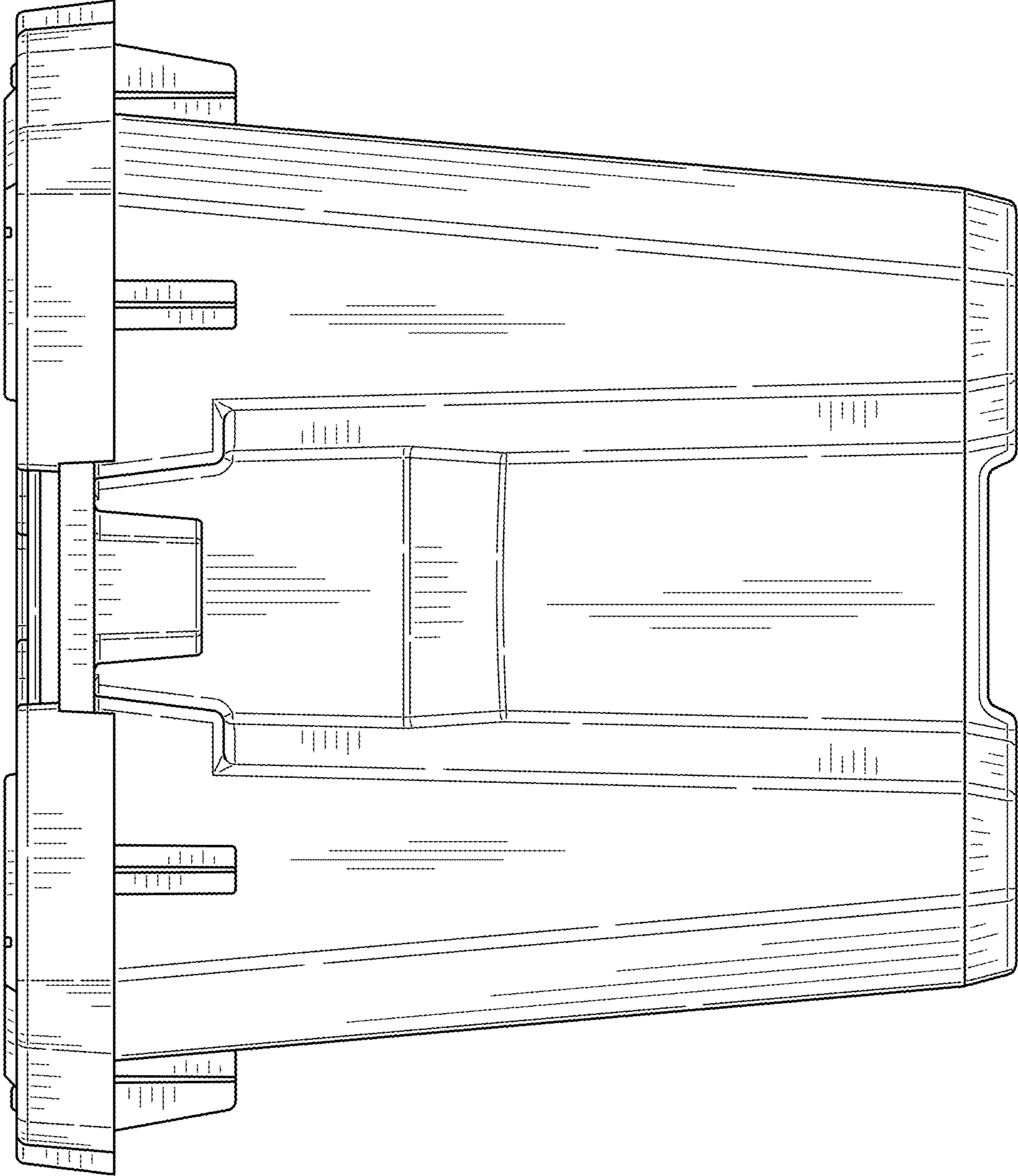


FIG. 2

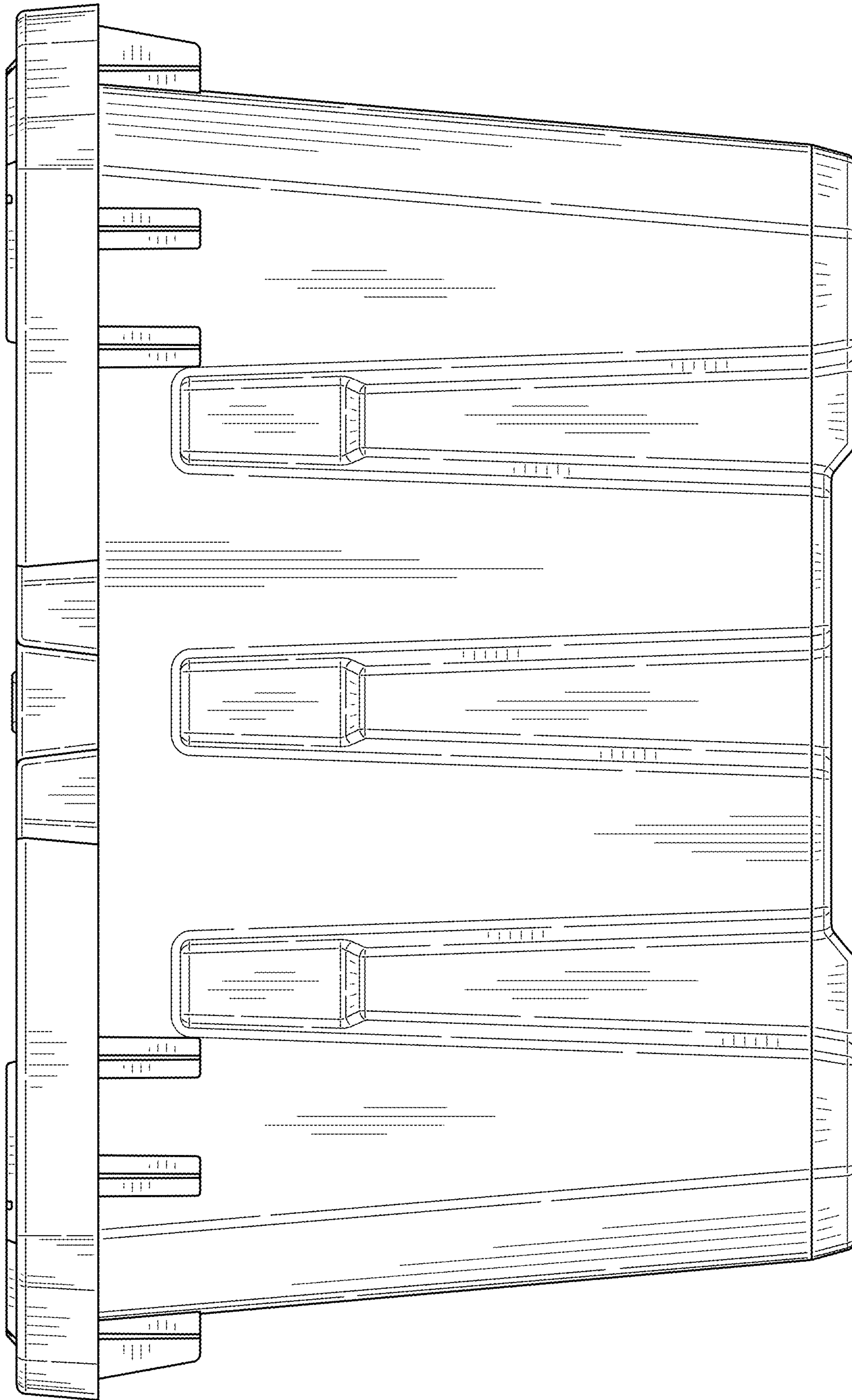


FIG. 3

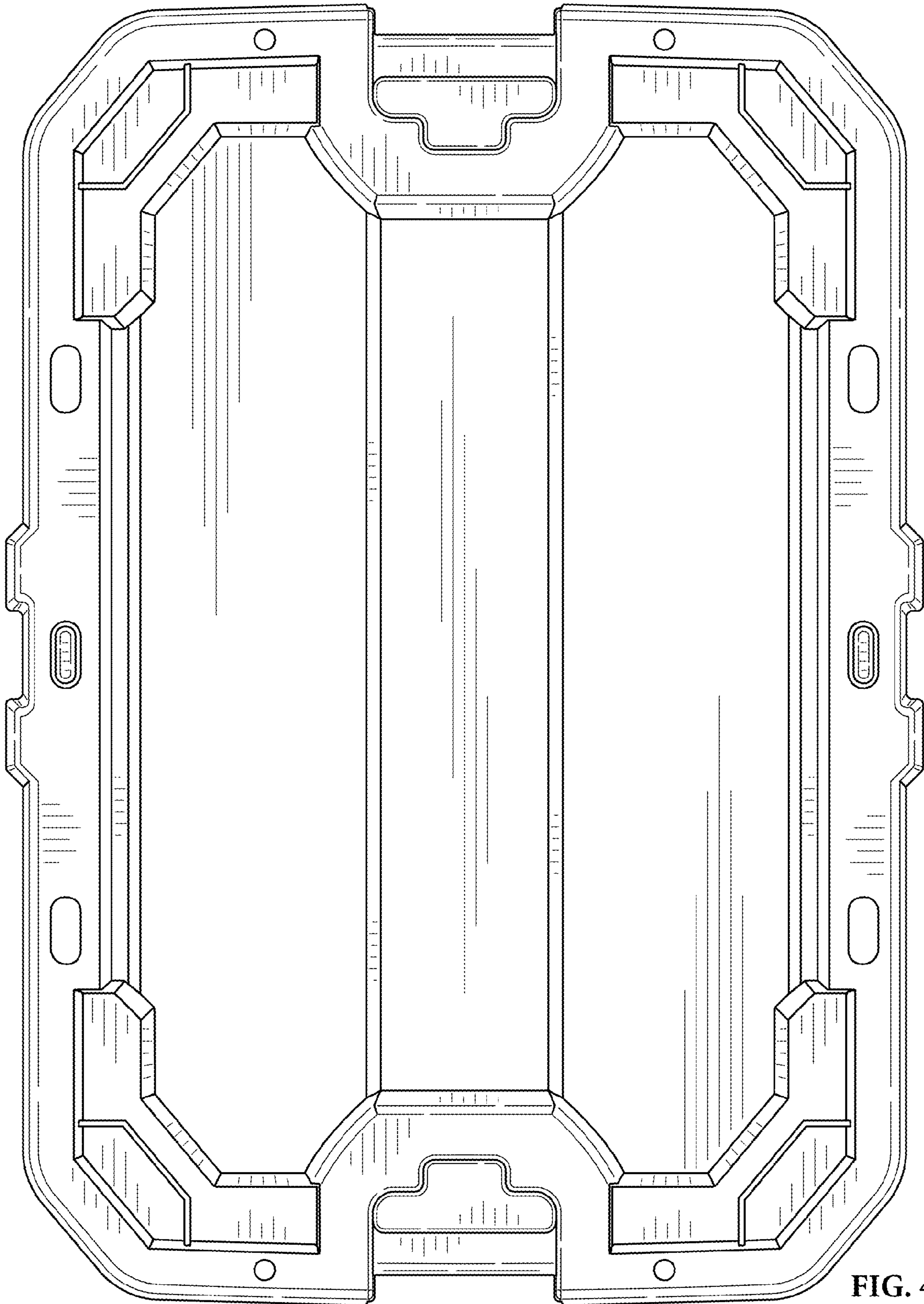


FIG. 4

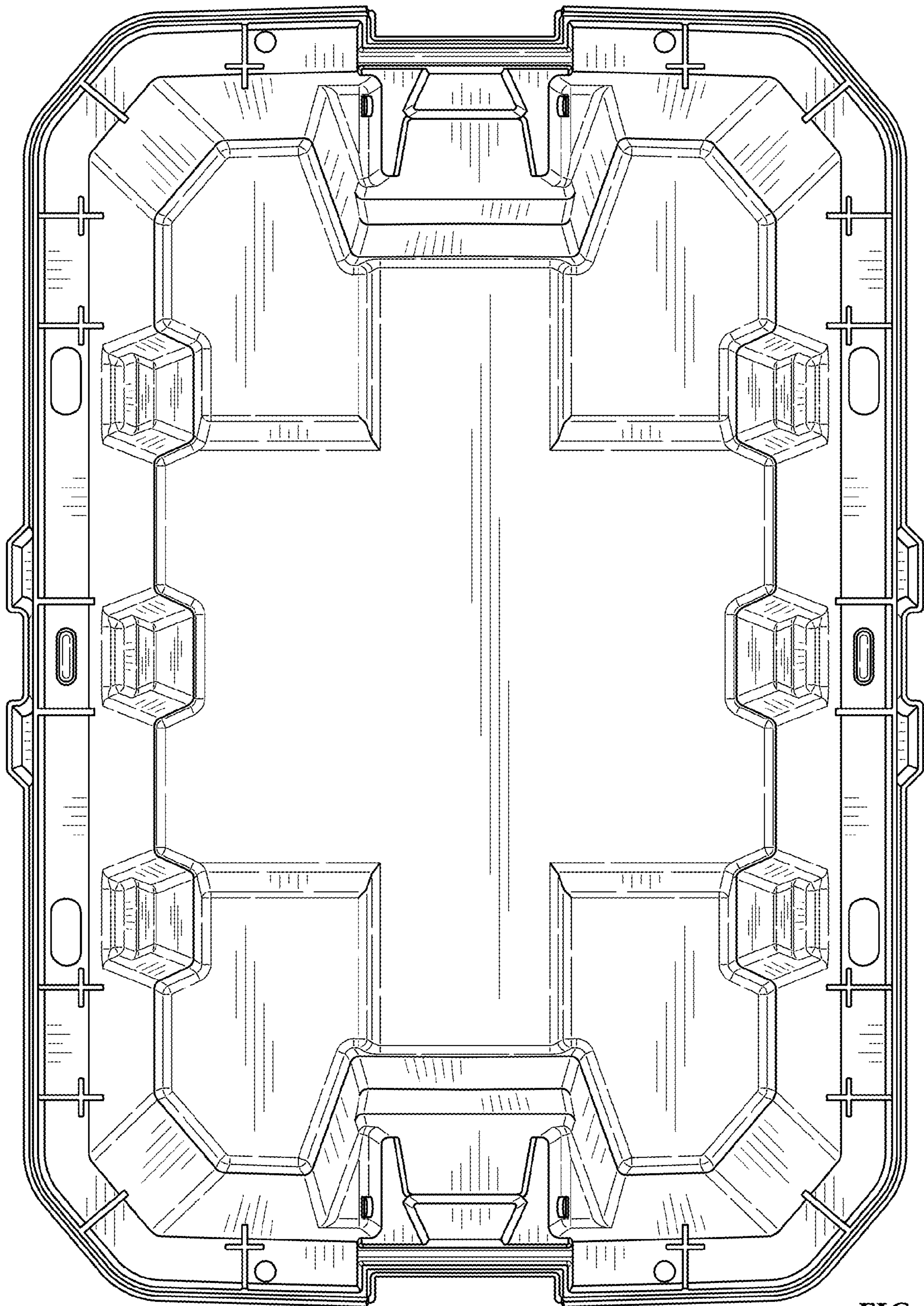


FIG. 5

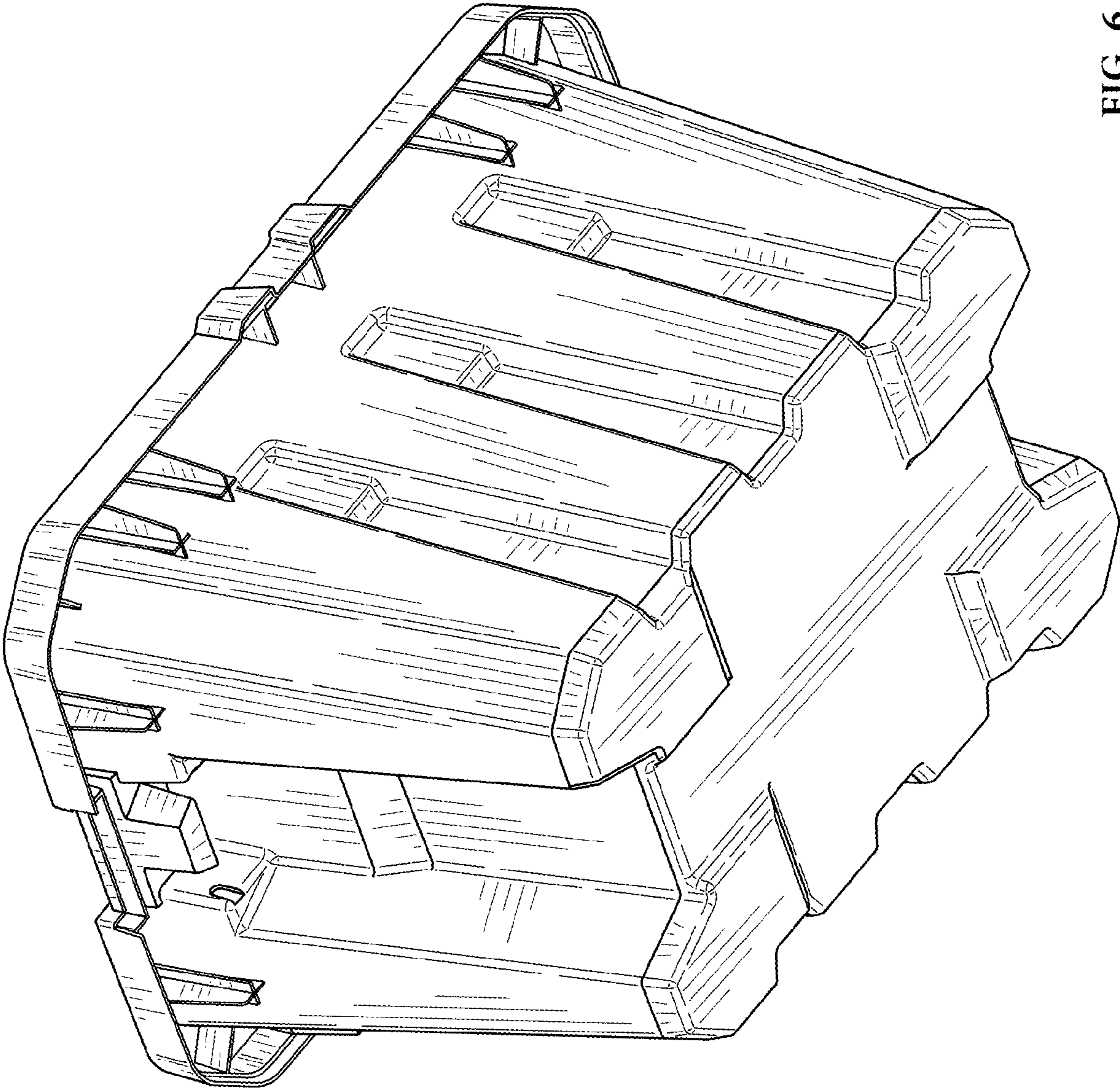


FIG. 6