



US00D879470S

(12) **United States Design Patent** (10) **Patent No.:** **US D879,470 S**
Panter (45) **Date of Patent:** **** Mar. 31, 2020**

(54) **LUGGAGE**

OTHER PUBLICATIONS

(71) Applicant: **Panter, Inc.**, Orlando, FL (US)

Panter Inc., "Patents", Accessed Jun. 3, 2019. (<https://www.panterinc.com/patents/>) (Year: 2019).*

(72) Inventor: **Rodney P. Panter**, Orlando, FL (US)

* cited by examiner

(73) Assignee: **PANTER INC.**, Orlando, FL (US)

Primary Examiner — April Rivas

(**) Term: **15 Years**

(74) *Attorney, Agent, or Firm* — Allen Dyer Doppelt & Gilchrist, PA

(21) Appl. No.: **29/637,878**

(57) **CLAIM**
The ornamental design for luggage, as shown and described.

(22) Filed: **Feb. 22, 2018**

DESCRIPTION

(51) **LOC (12) Cl.** **03-01**

(52) **U.S. Cl.**

USPC **D3/279**

(58) **Field of Classification Search**

USPC D3/273, 276, 279, 902, 321

CPC A45C 2003/008; A45C 3/02; A45C 5/00;

A45C 5/03; A45C 5/14; A45C 2005/032;

A45C 2005/035; A45C 2005/037

See application file for complete search history.

FIG. 1 is a top, front right side perspective view of the luggage design;

FIG. 2 is a top, rear, left side perspective view of the design of FIG. 1;

FIG. 3 is a top, front, left side perspective view of the design of FIG. 1;

FIG. 4 is a top, rear, right side perspective view of the design of FIG. 1;

FIG. 5 is a bottom, front, left side perspective view of the design of FIG. 1;

FIG. 6 is a bottom, rear, right side perspective view of the design of FIG. 1;

FIG. 7 is a bottom, front, right side perspective view of the design of FIG. 1;

FIG. 8 is a bottom, rear, left side perspective view of the design of FIG. 1;

FIG. 9 is a front view of the design of FIG. 1;

FIG. 10 is a rear view of the design of FIG. 1;

FIG. 11 is a right side view of the design of FIG. 1;

FIG. 12 is a left side view of the design of FIG. 1;

FIG. 13 is a top view of the design of FIG. 1; and,

FIG. 14 is a bottom view of the design of FIG. 1.

The broken lines illustrate contextual details of the luggage and form no part of the claimed design.

(56) **References Cited**

U.S. PATENT DOCUMENTS

D261,825 S * 11/1981 Benson D3/275

D317,082 S * 5/1991 Madison D3/279

D507,876 S * 8/2005 Fadely D3/279

D666,816 S * 9/2012 Weber D3/279

D700,434 S * 3/2014 Blitz D3/279

D712,142 S * 9/2014 Bayley D3/279

D746,588 S * 1/2016 Pourmehr D3/275

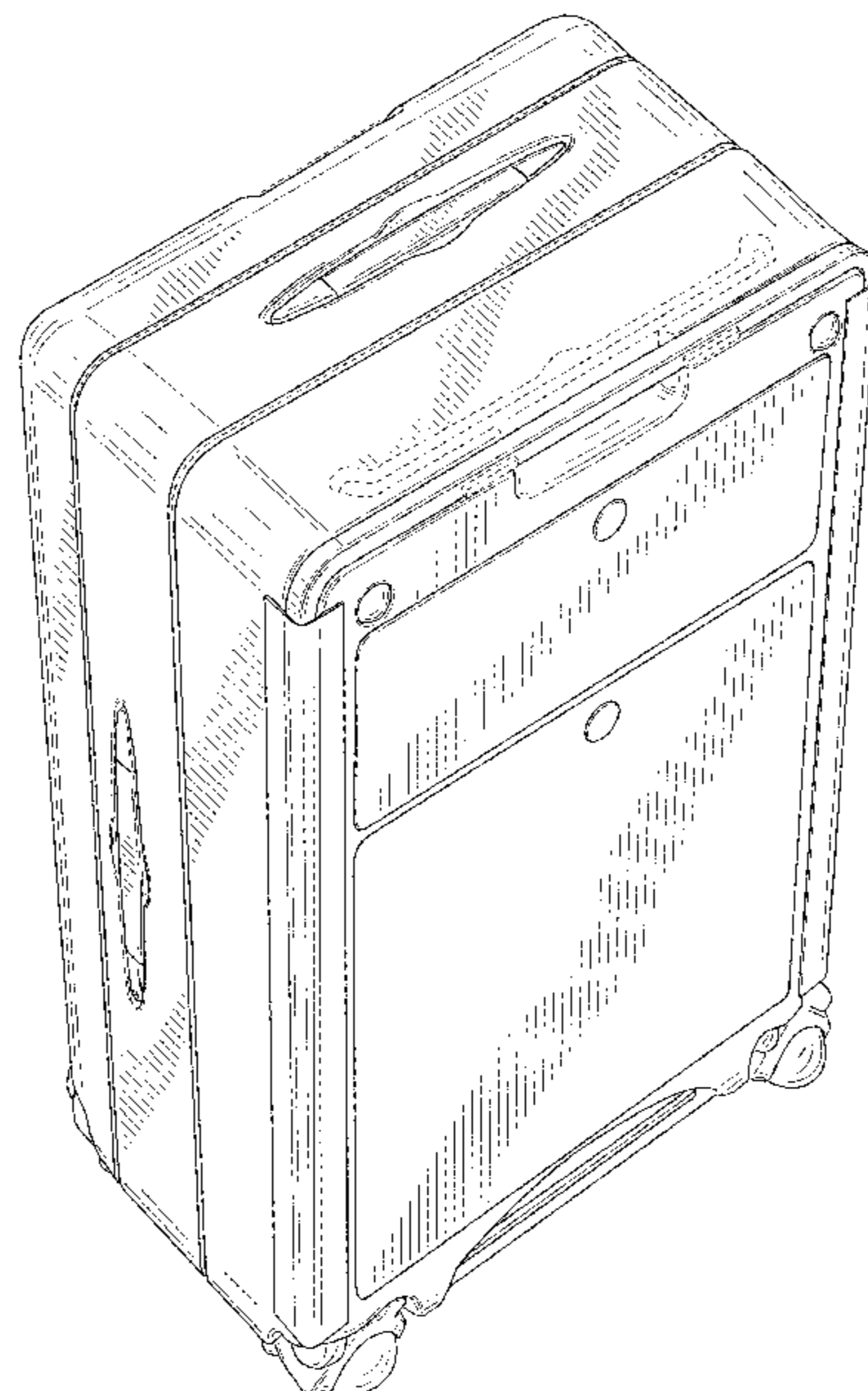
2006/0137949 A1 * 6/2006 Levinson A45C 5/14

190/18 A

FOREIGN PATENT DOCUMENTS

WO 2018031648 2/2018

1 Claim, 13 Drawing Sheets



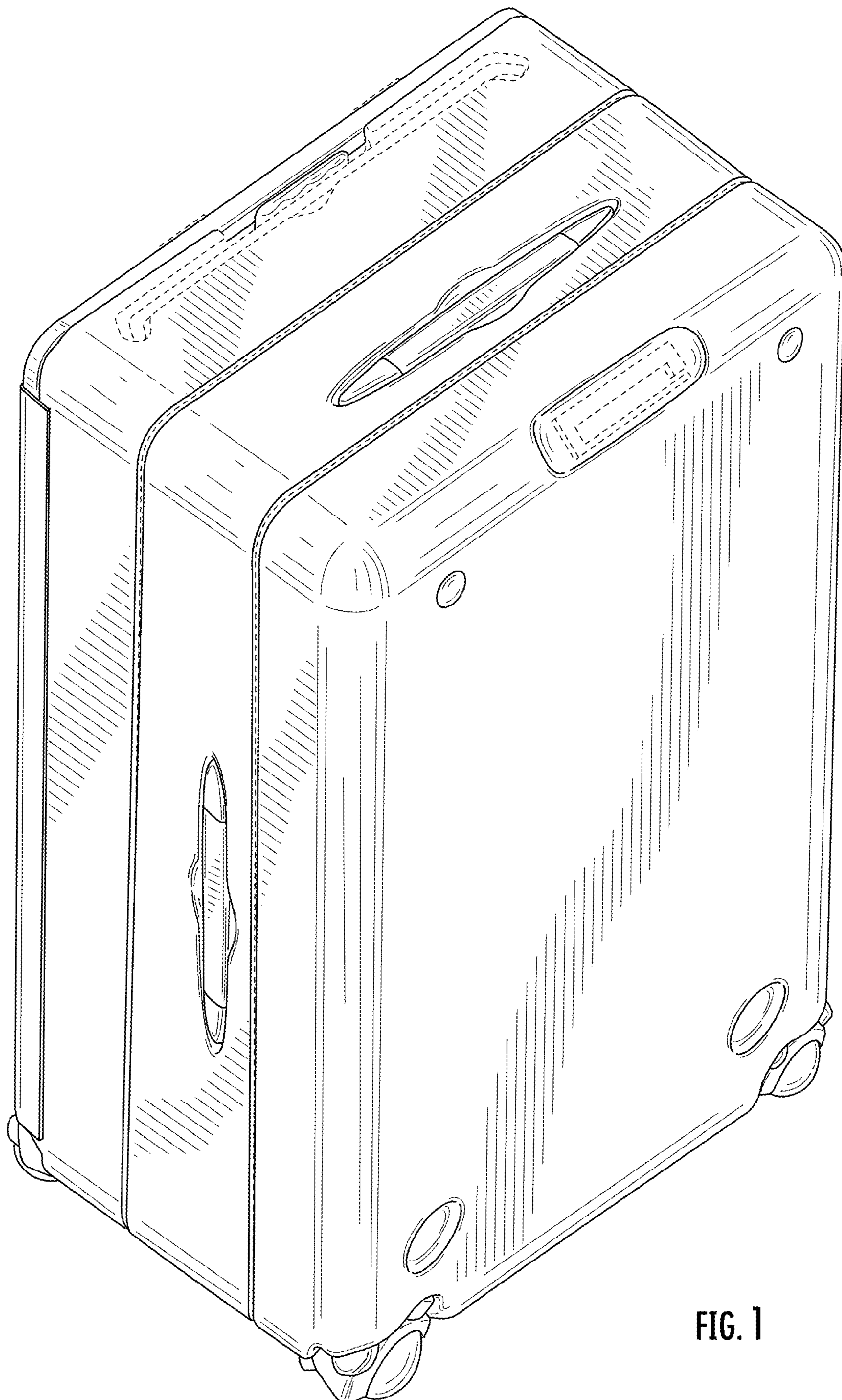


FIG. 1

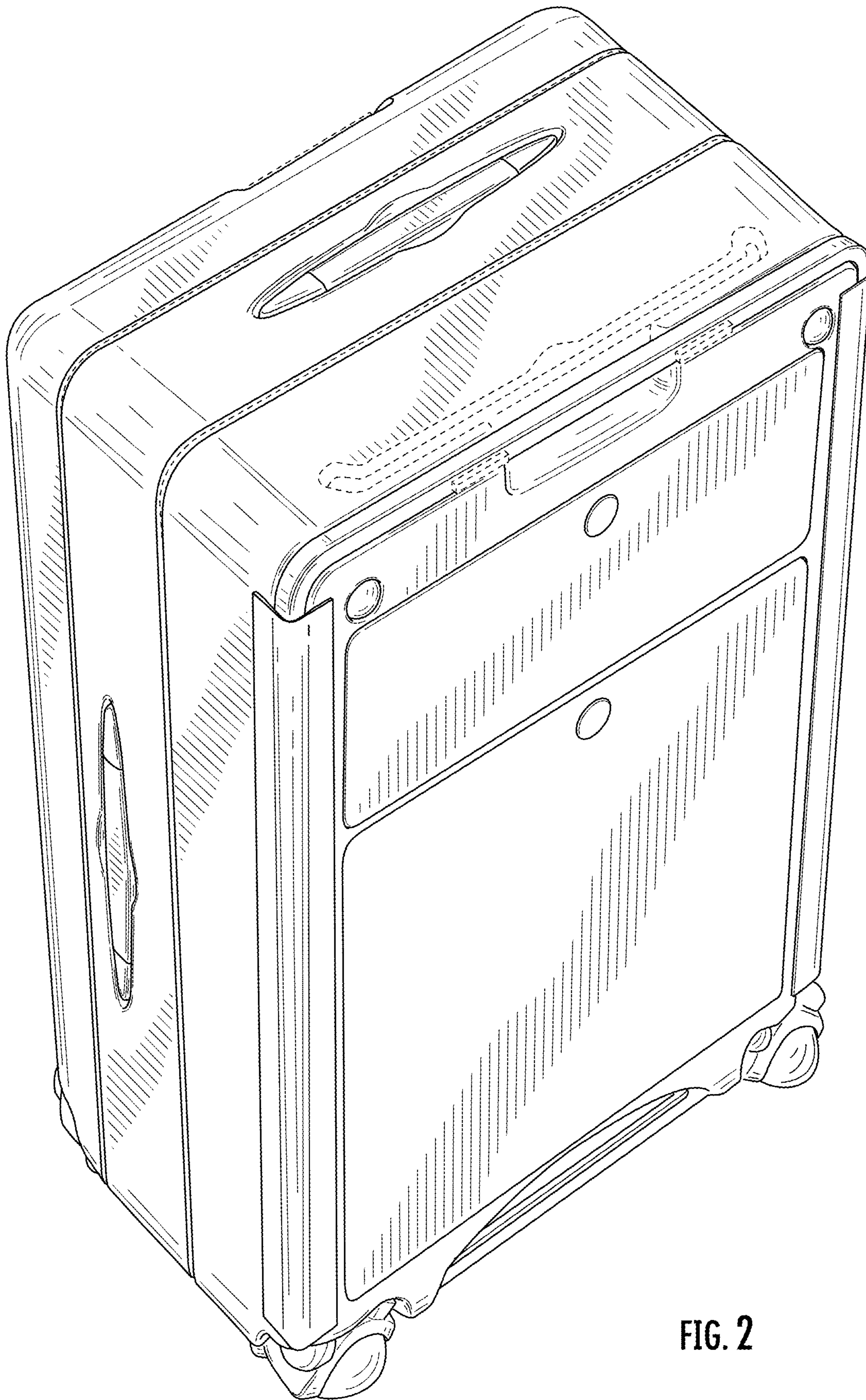


FIG. 2

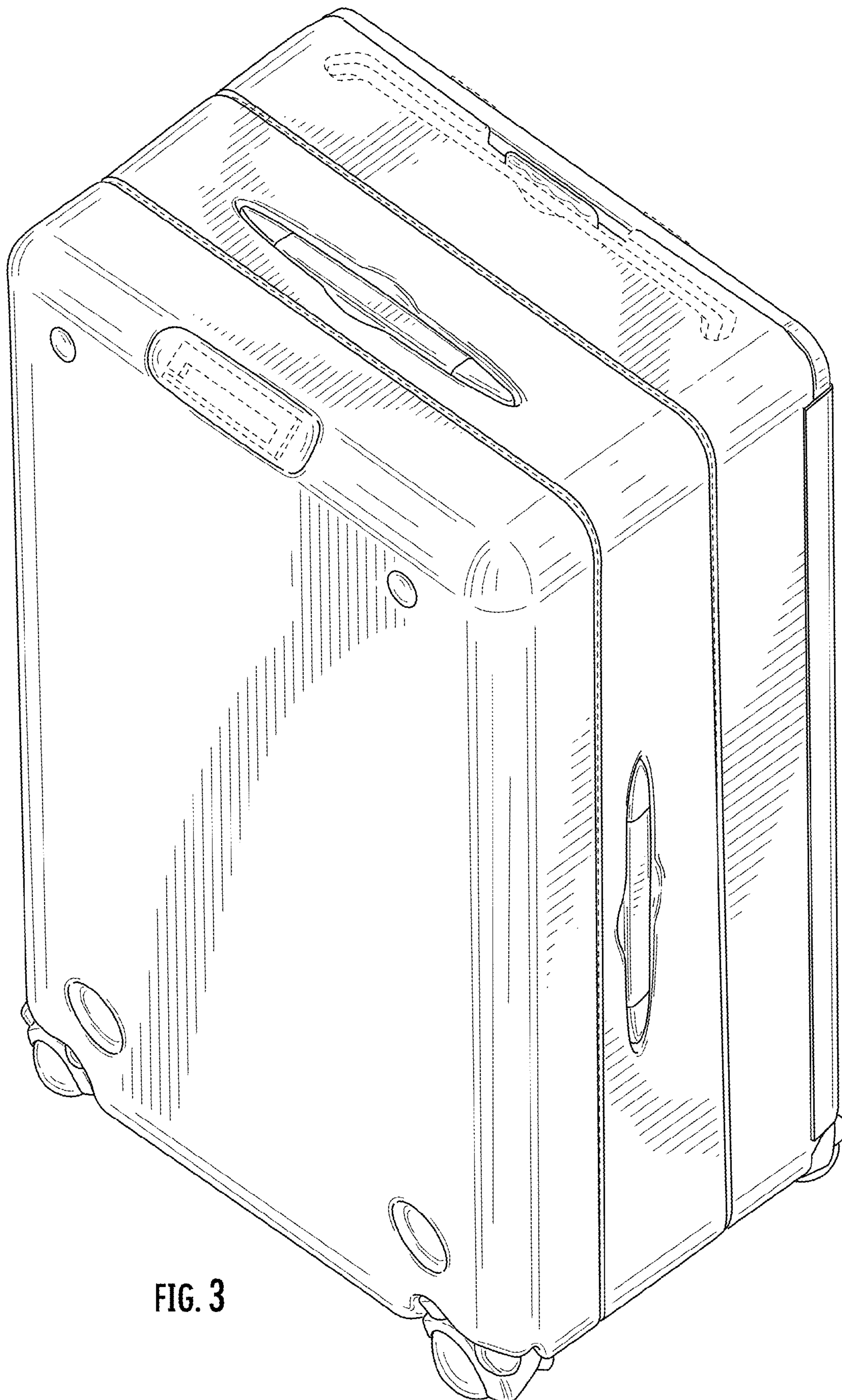
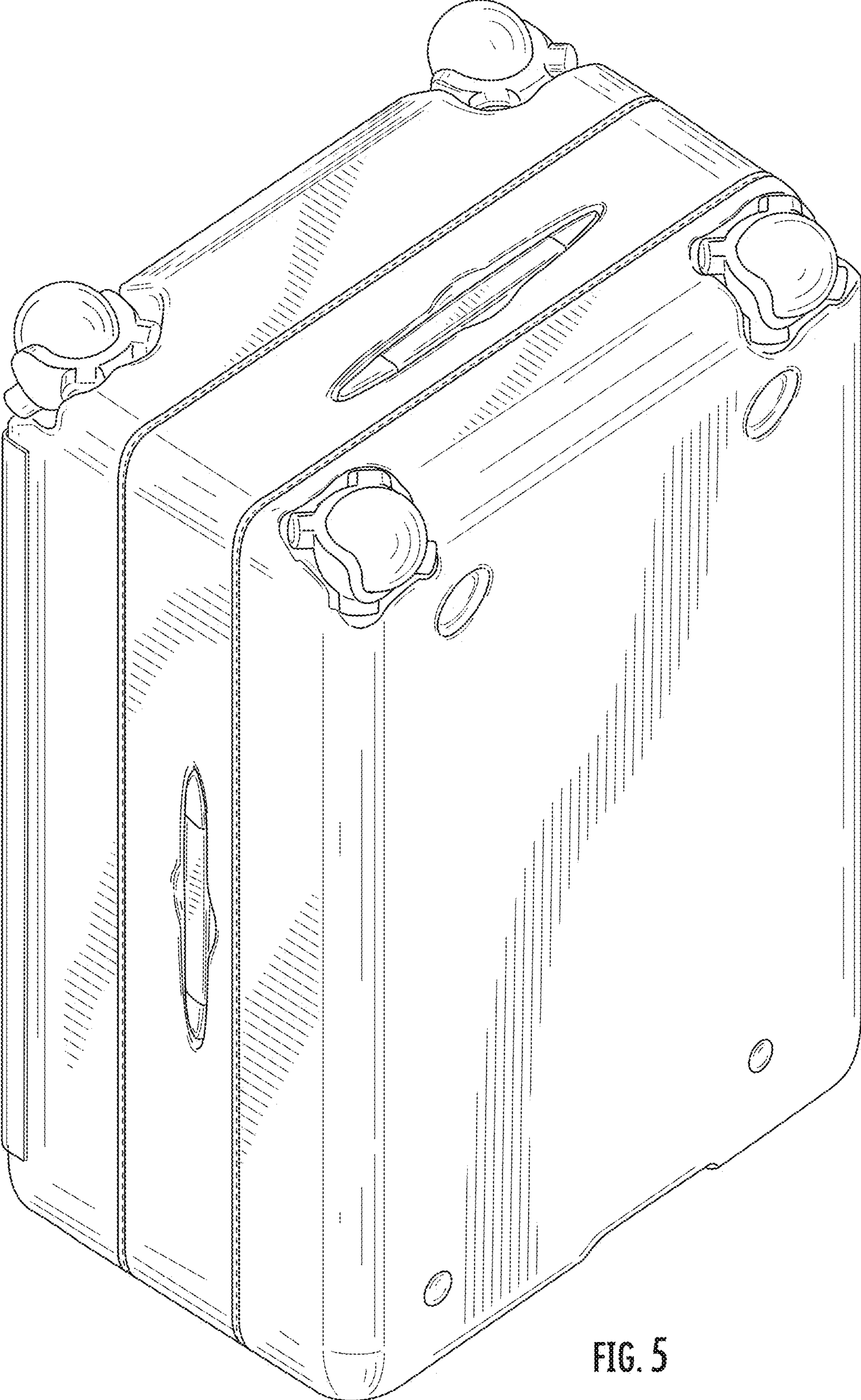
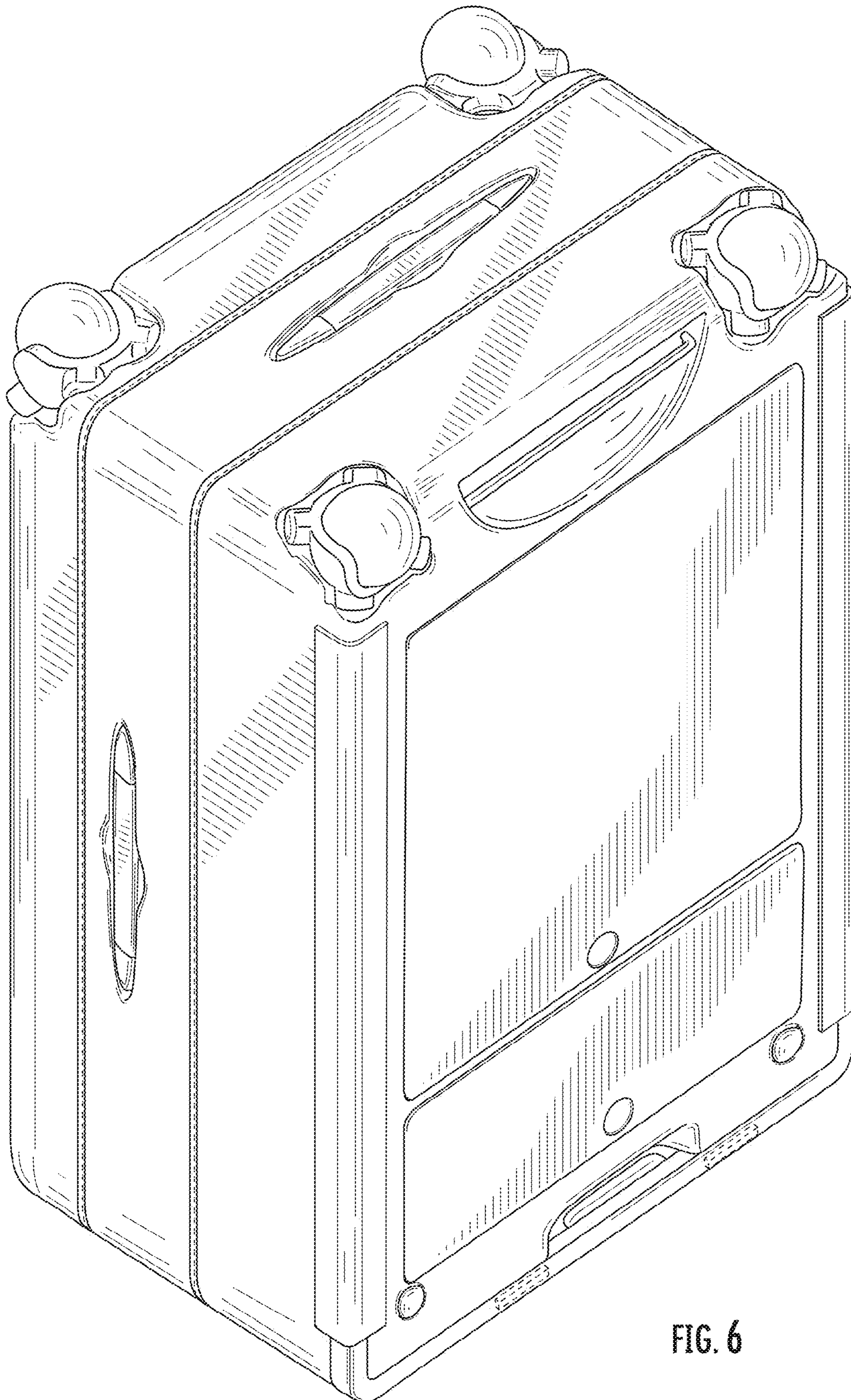


FIG. 3



FIG. 4





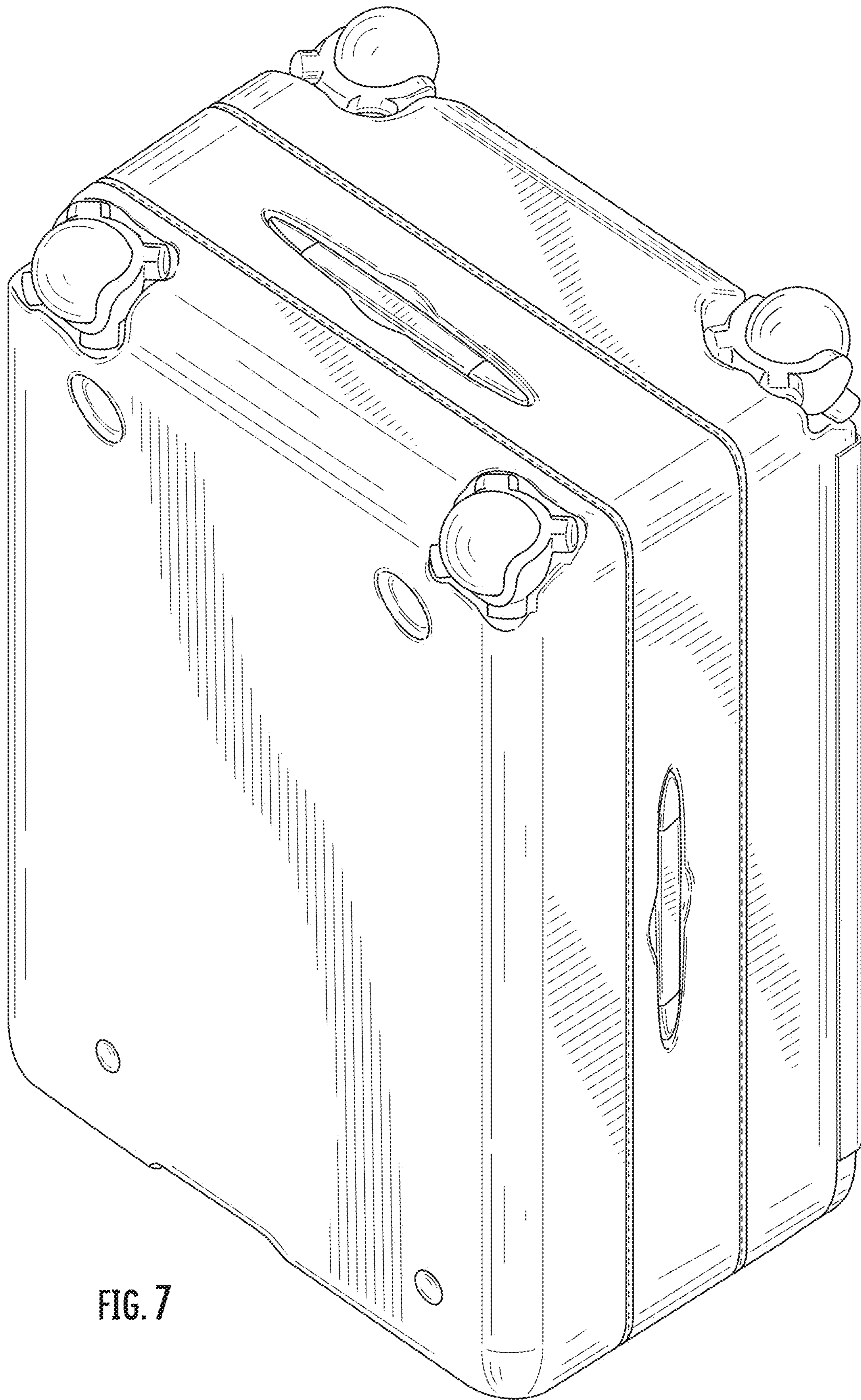


FIG. 7

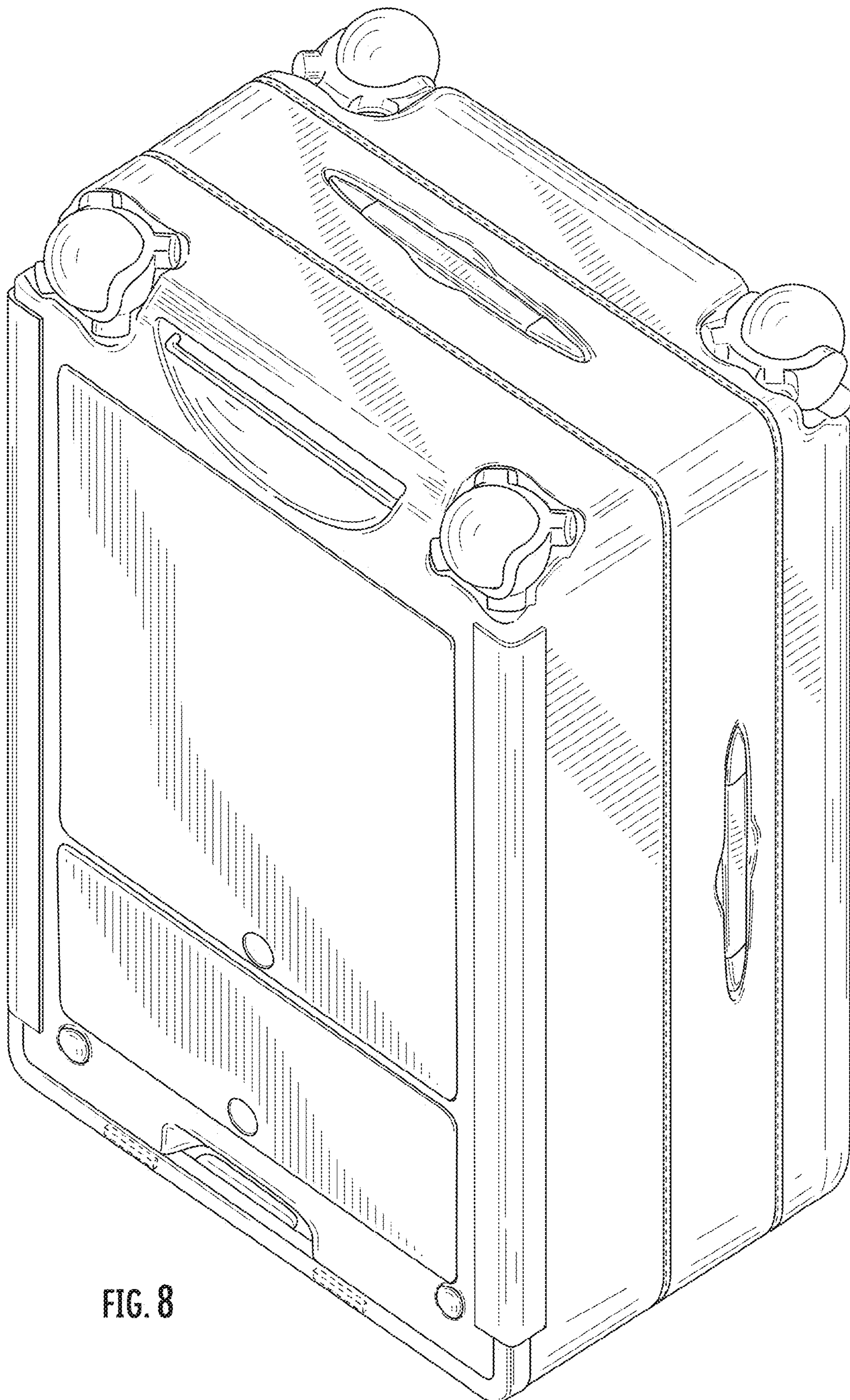


FIG. 8

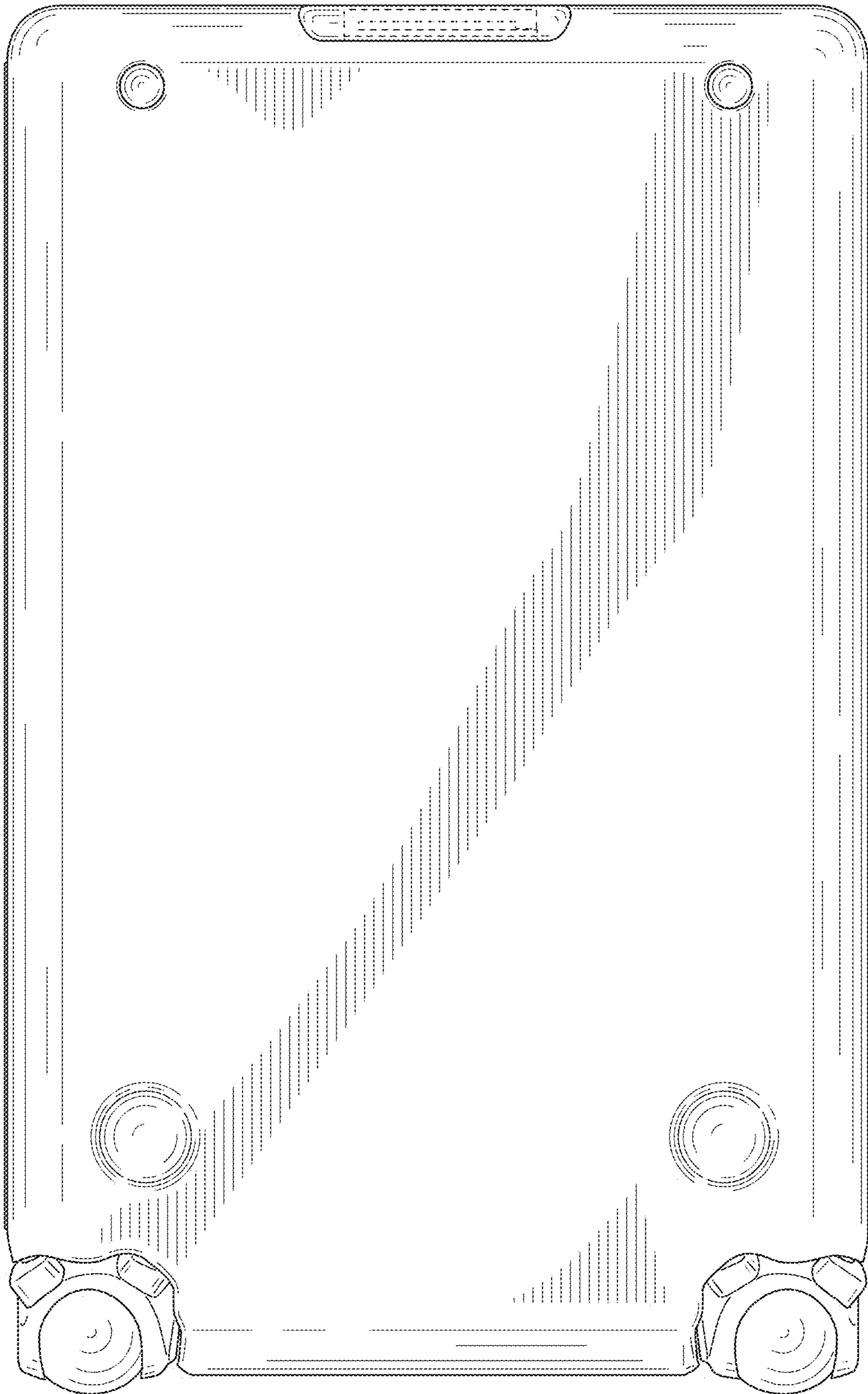


FIG. 9

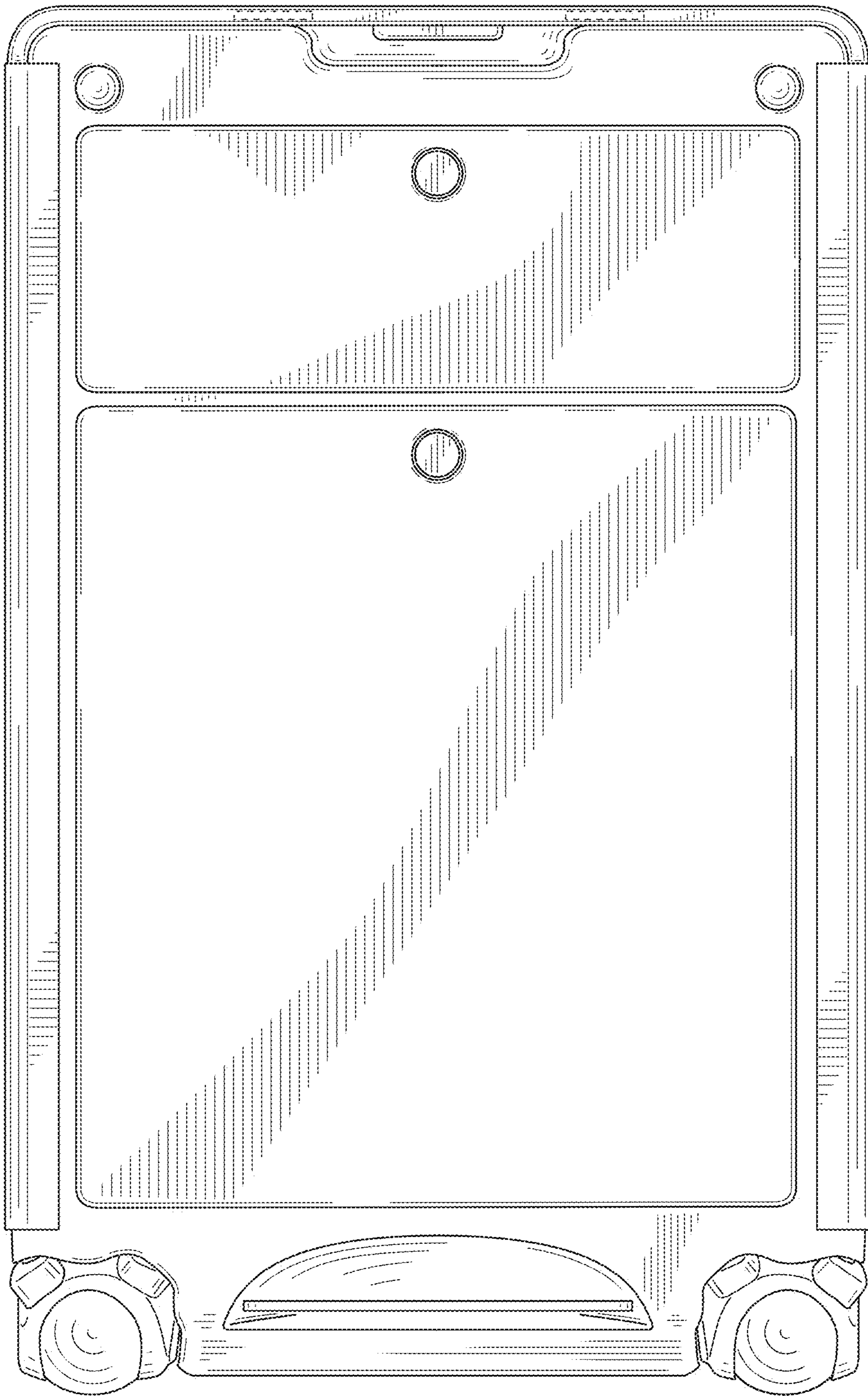


FIG. 10

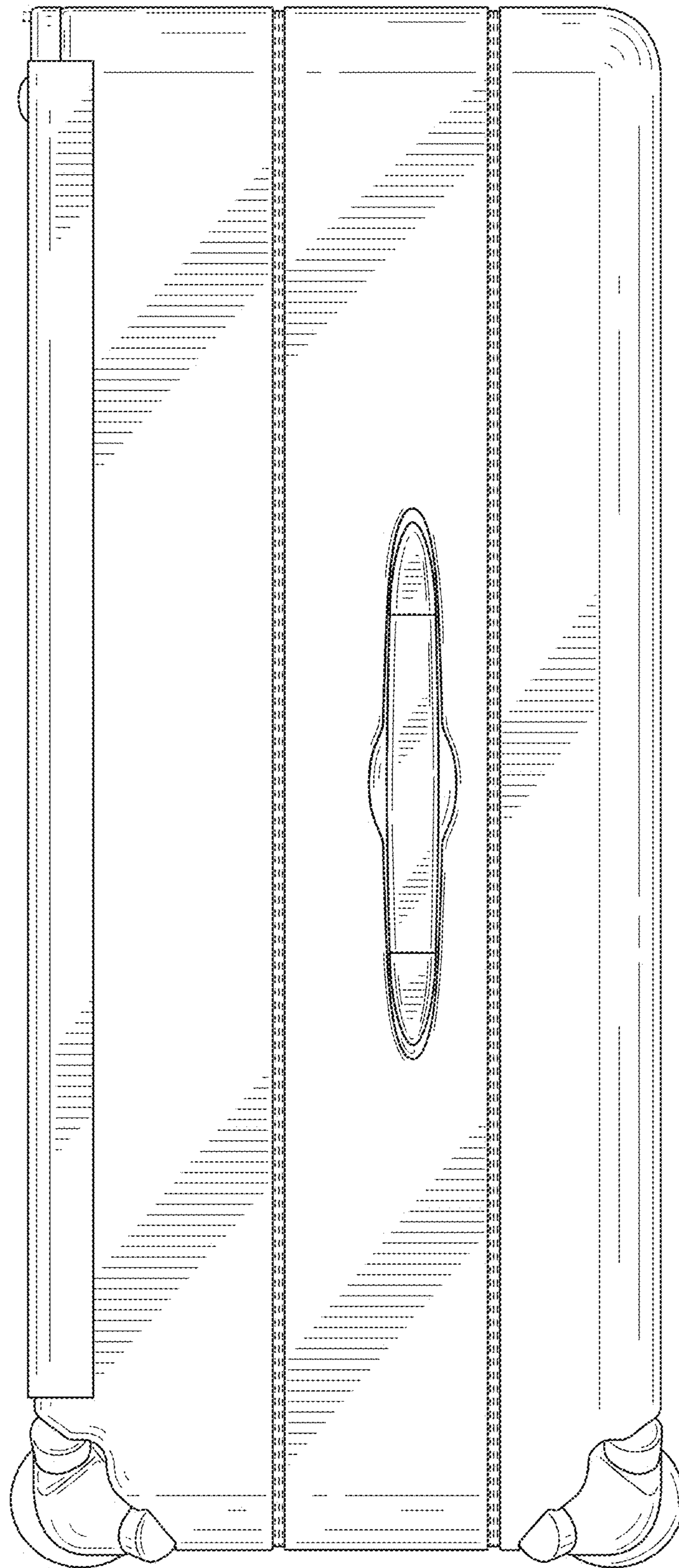


FIG. 11

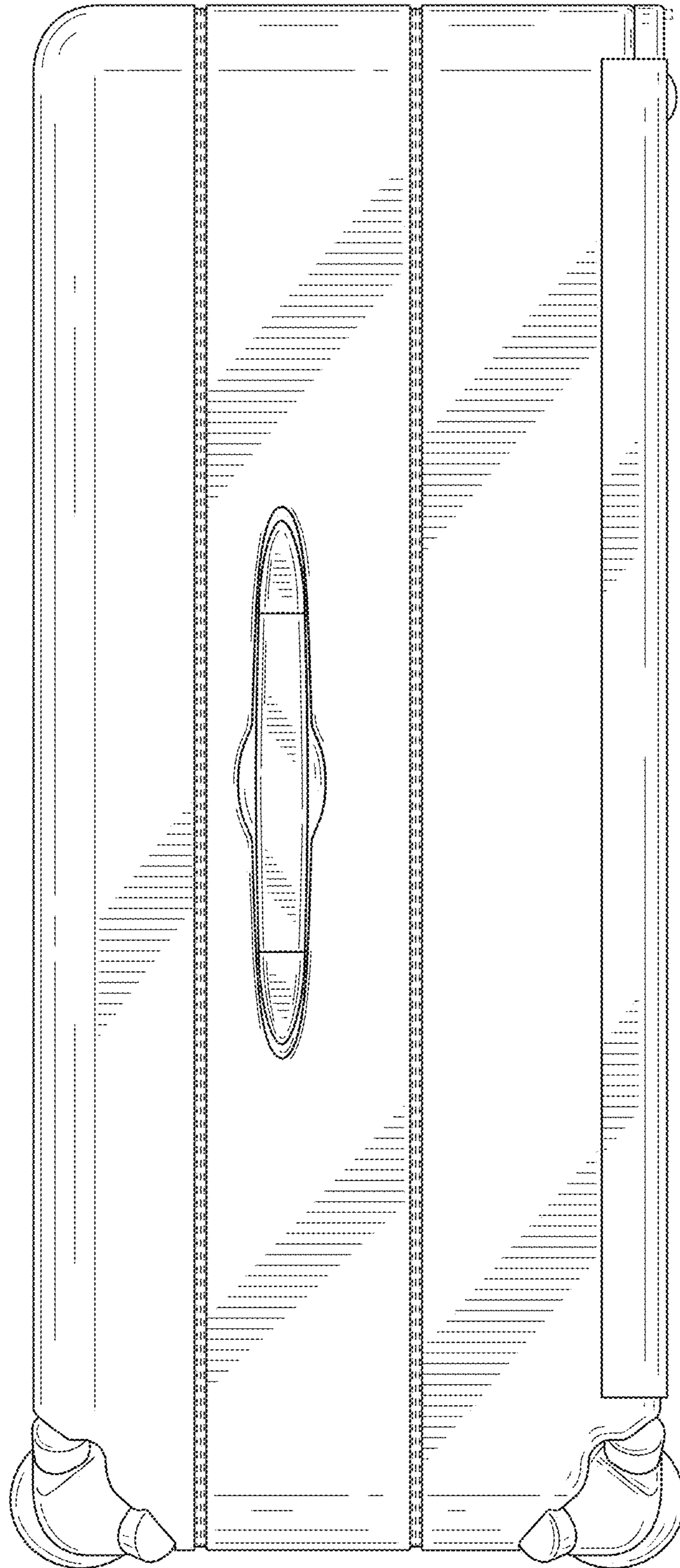


FIG. 12

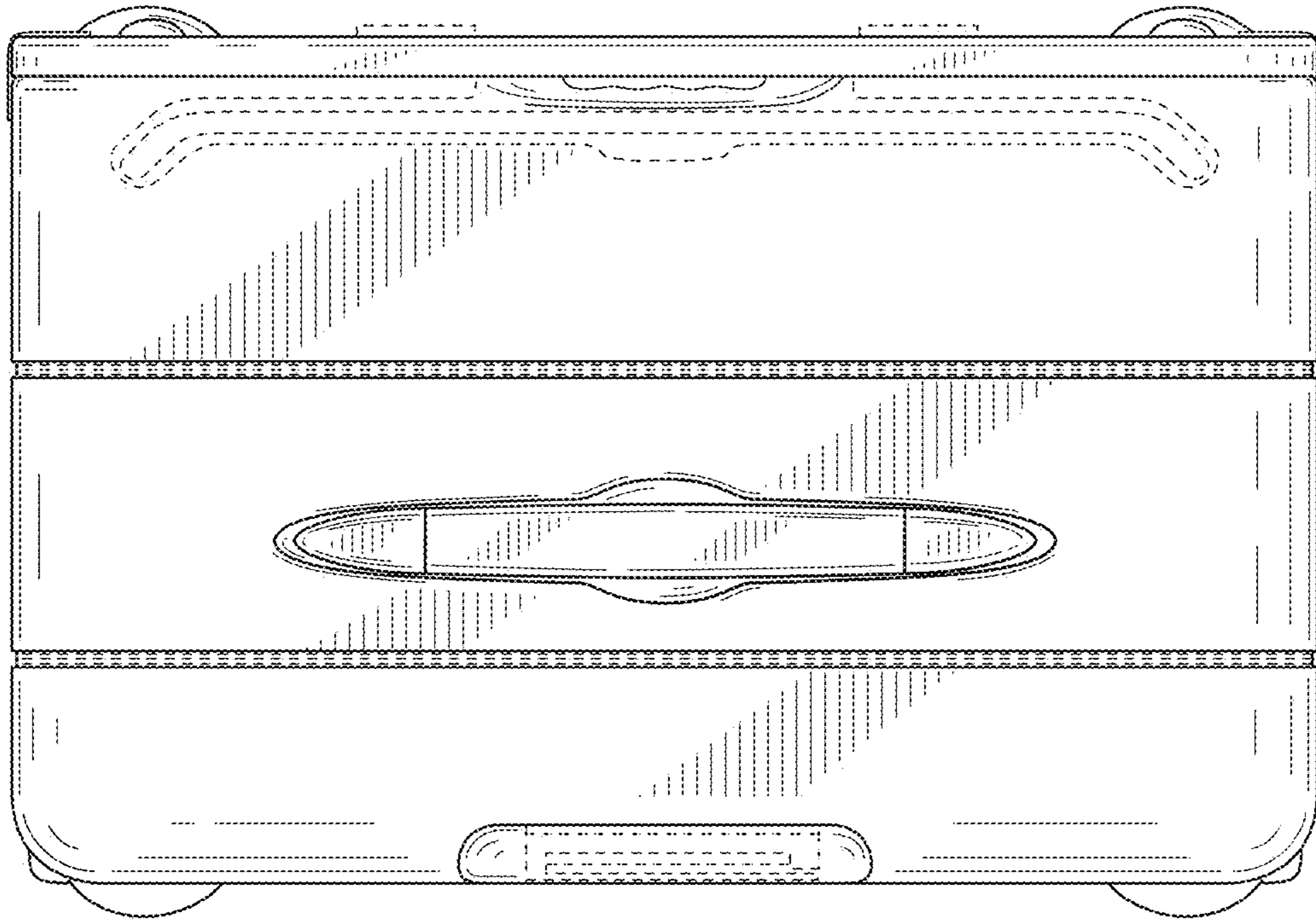


FIG. 13

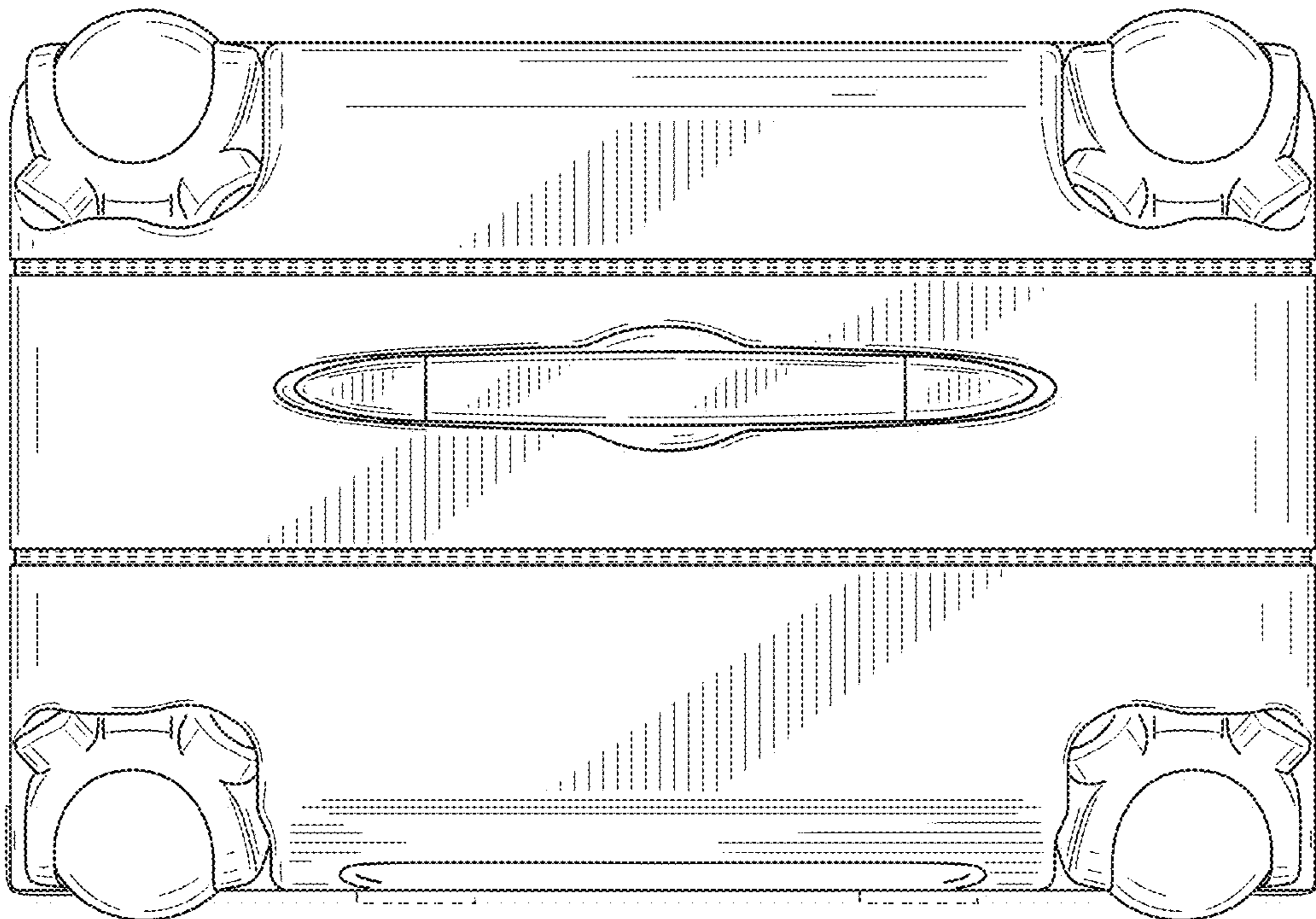


FIG. 14