



US00D879467S

(12) **United States Design Patent**  
**Pacha et al.**

(10) **Patent No.:** **US D879,467 S**  
(45) **Date of Patent:** **\*\* Mar. 31, 2020**

- (54) **GOLF BAG TOP**
- (71) Applicant: **PARSONS XTREME GOLF, LLC**,  
Scottsdale, AZ (US)
- (72) Inventors: **Duane E. Pacha**, Chandler, AZ (US);  
**Candace Chen**, Phoenix, AZ (US)
- (73) Assignee: **PARSONS XTREME GOLF, LLC**,  
Scottsdale, AZ (US)
- (\*\*) Term: **15 Years**
- (21) Appl. No.: **29/643,476**
- (22) Filed: **Apr. 9, 2018**

- D544,210 S 6/2007 McGuire et al.
- D557,501 S 12/2007 Suggs et al.
- D557,502 S 12/2007 Quartarone et al.
- D577,916 S 10/2008 Quartarone et al.
- D580,656 S 11/2008 Quartarone et al.
- D613,063 S 4/2010 Quartarone, III et al.
- D613,064 S 4/2010 Quartarone, III et al.
- D613,065 S 4/2010 McGuire et al.
- D613,066 S 4/2010 McGuire et al.
- D636,596 S 4/2011 McGuire
- D649,353 S 11/2011 Loudenslager et al.
- D649,354 S 11/2011 Loudenslager et al.
- D649,355 S 11/2011 Loudenslager et al.
- D649,356 S 11/2011 Loudenslager et al.
- D654,268 S \* 2/2012 Boncimino ..... D3/255
- D669,266 S \* 10/2012 Loudenslager ..... D3/255

(Continued)

*Primary Examiner* — Holly H Baynham

**Related U.S. Application Data**

- (63) Continuation-in-part of application No. 29/629,836,  
filed on Dec. 15, 2017, now abandoned.
- (51) **LOC (12) Cl.** ..... **03-01**
- (52) **U.S. Cl.**  
USPC ..... **D3/255**
- (58) **Field of Classification Search**  
USPC ..... D3/318, 255  
CPC ..... A47F 7/0021  
See application file for complete search history.

(57) **CLAIM**

The ornamental design for a golf bag top, as shown and described.

**DESCRIPTION**

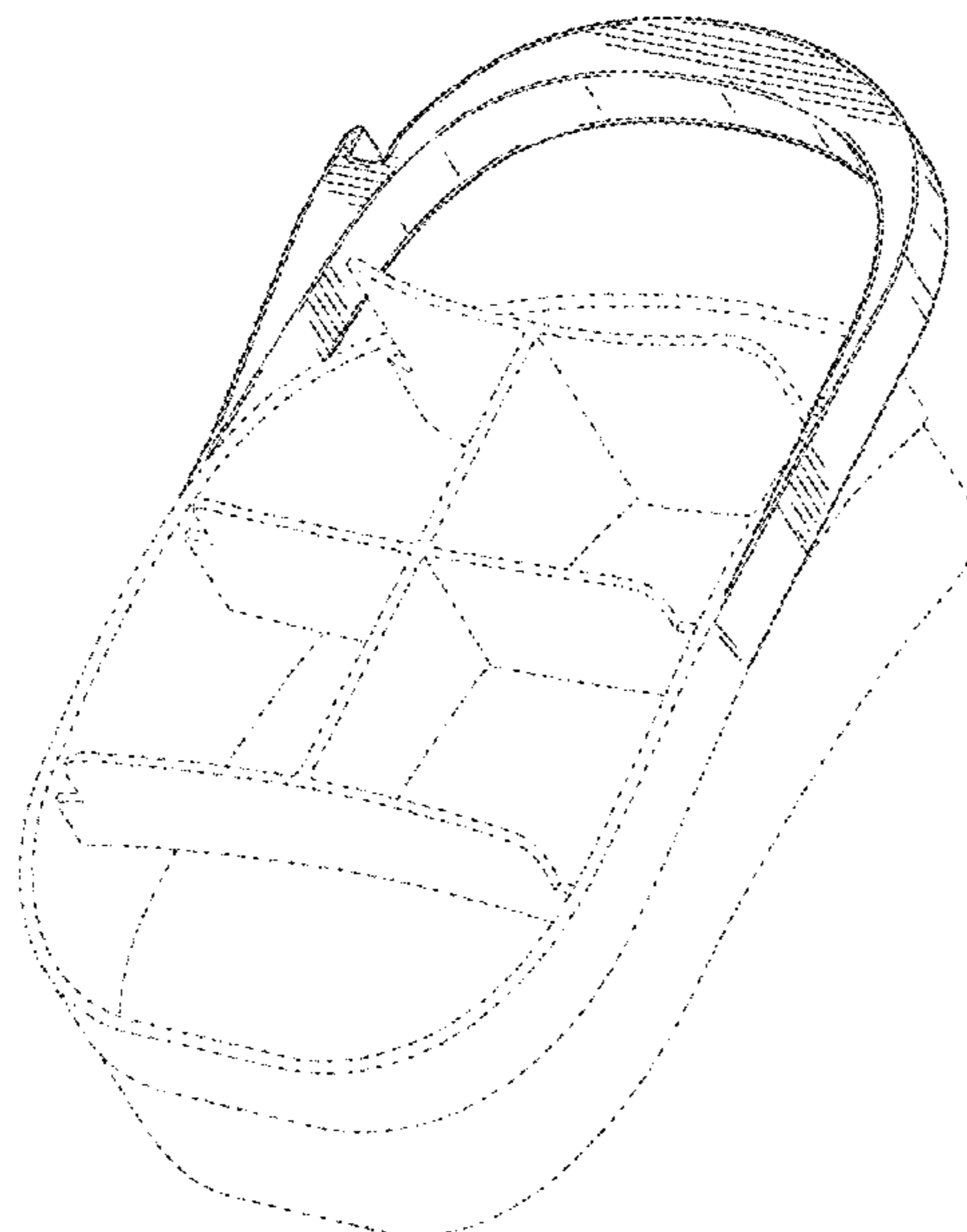
FIG. 1 is a top perspective view of a third embodiment of a golf bag top;  
 FIG. 2 is a bottom perspective view of the golf bag top of FIG. 1;  
 FIG. 3 is a rear elevational view of the golf bag top of FIG. 1;  
 FIG. 4 is a front elevational view of the golf bag top of FIG. 1;  
 FIG. 5 is a top view of the golf bag top of FIG. 1;  
 FIG. 6 is a bottom view of the golf bag top of FIG. 1;  
 FIG. 7 is a right side view of the golf bag top of FIG. 1; and,  
 FIG. 8 is a left side view of the golf bag top of FIG. 1.  
 The broken lines are included for the purpose of illustration only. None of the broken lines forms part of the claimed design.

(56) **References Cited**

**U.S. PATENT DOCUMENTS**

- 6,712,206 B2 \* 3/2004 Chen ..... A63B 55/57  
206/315.7
- D501,604 S \* 2/2005 Kadoya ..... D3/255
- D513,876 S 1/2006 Solheim et al.
- D513,877 S 1/2006 Solheim et al.
- D513,878 S 1/2006 Anderson et al.
- D520,752 S 5/2006 Solheim et al.
- D522,754 S 6/2006 Anderson
- D530,922 S 10/2006 Anderson
- D538,042 S 3/2007 Suggs

**1 Claim, 8 Drawing Sheets**



(56)

**References Cited**

U.S. PATENT DOCUMENTS

8,752,798	B2	6/2014	Loudenslager	
D713,148	S	9/2014	Bruce	
D715,055	S	* 10/2014	Bruce	..... D3/255
D718,534	S	12/2014	Bruce	
8,910,785	B2	12/2014	Loudenslager	

\* cited by examiner



FIG. 1

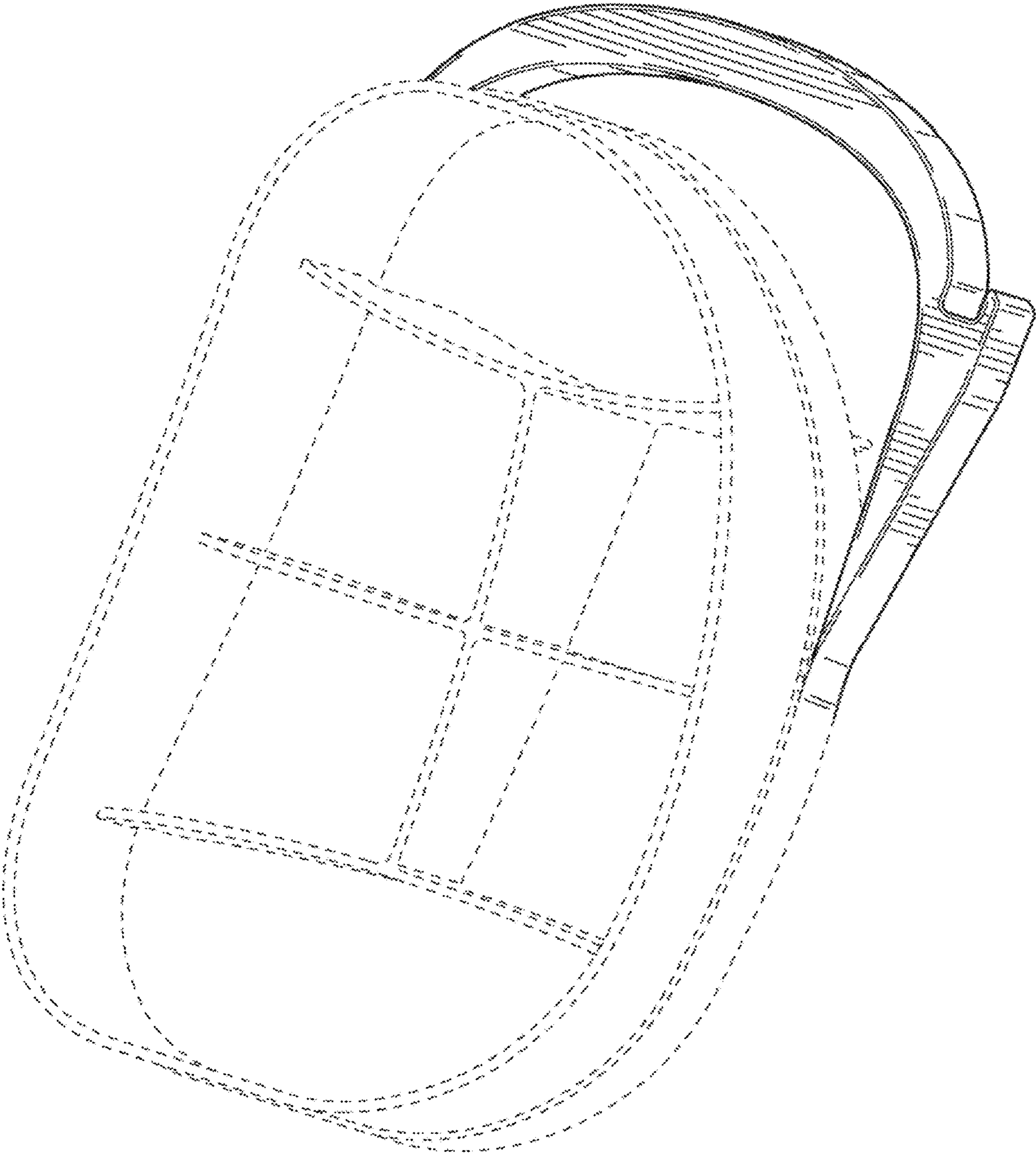


FIG. 2

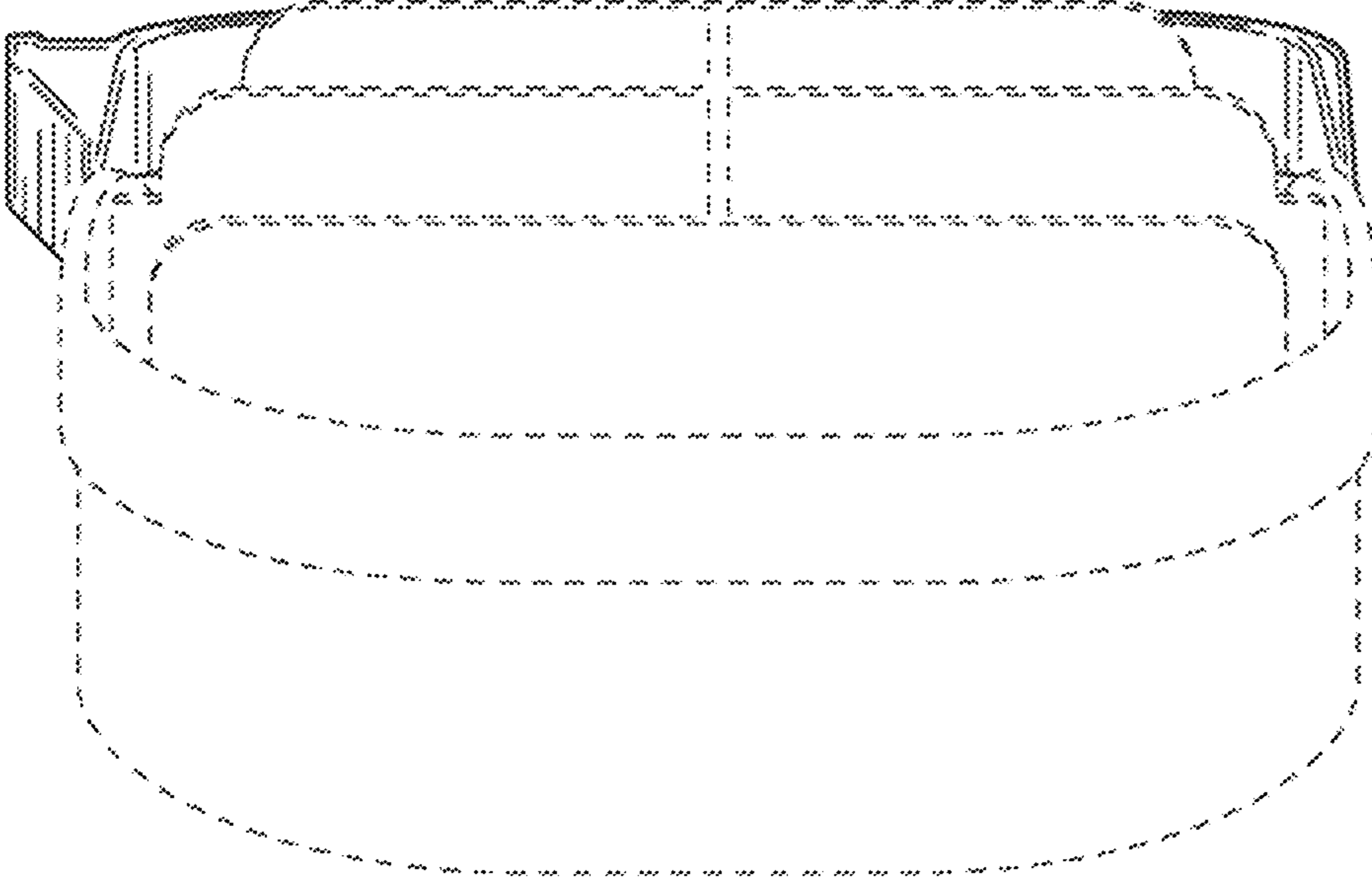


FIG. 3

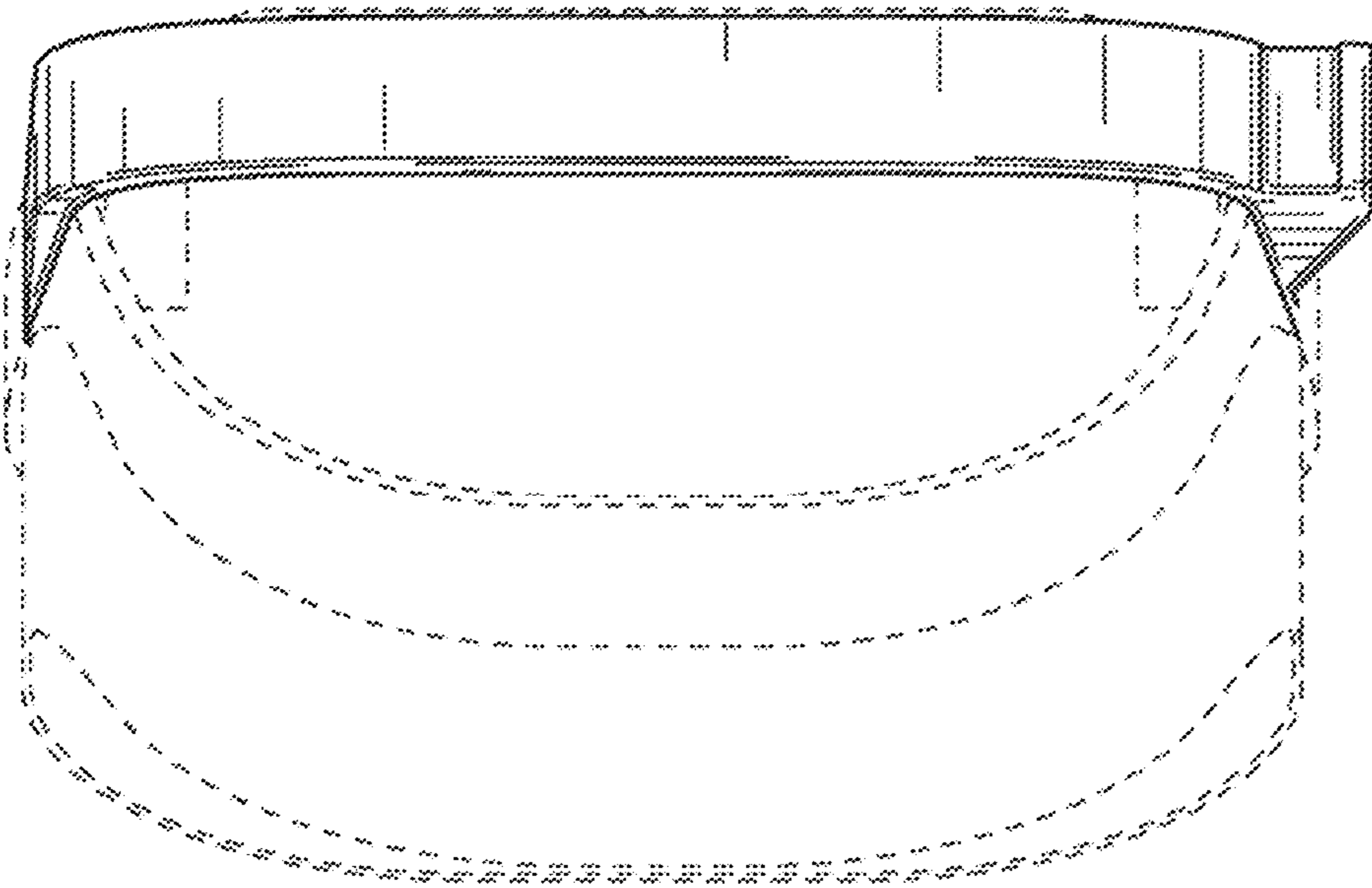


FIG. 4

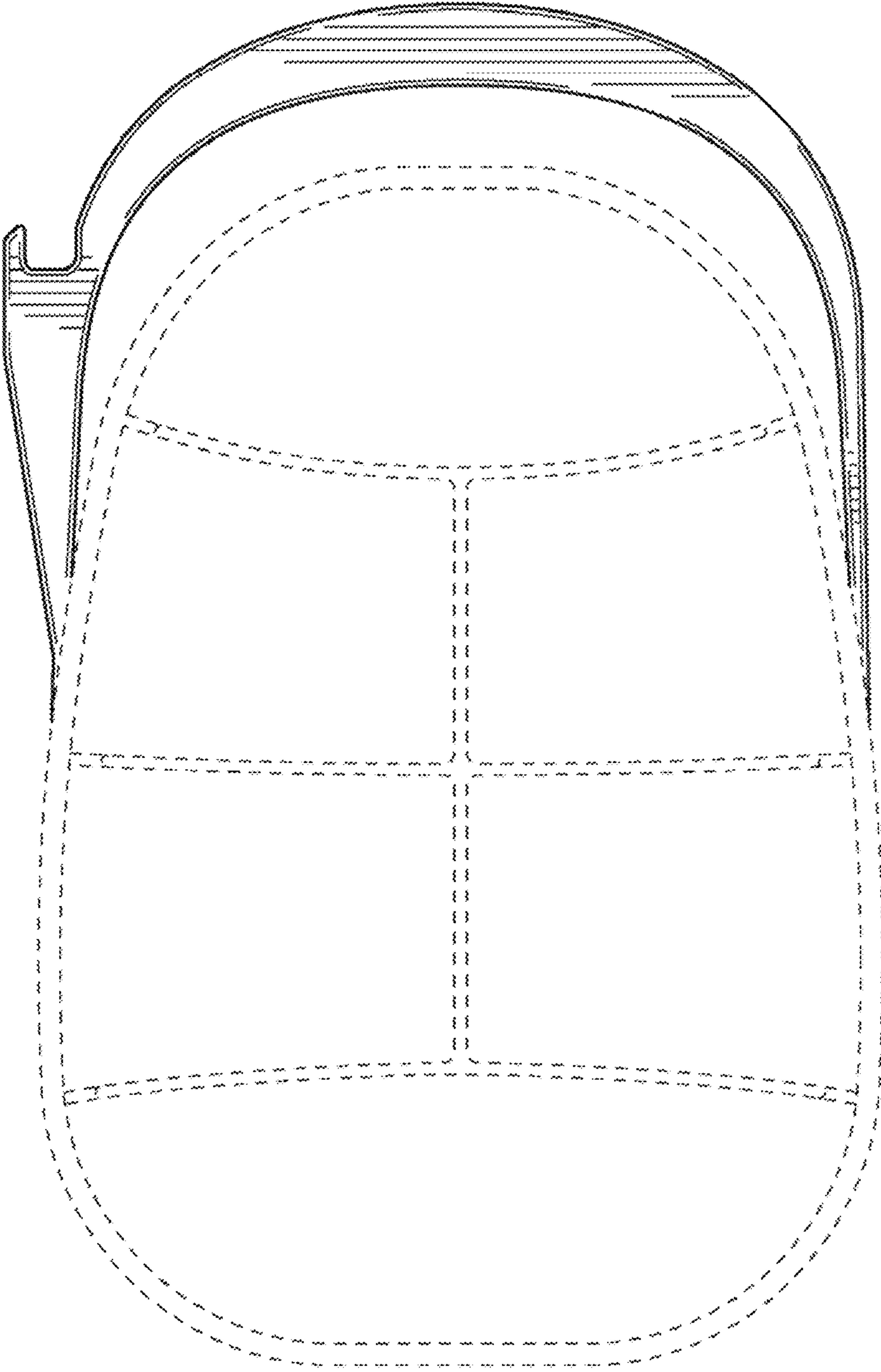


FIG. 5

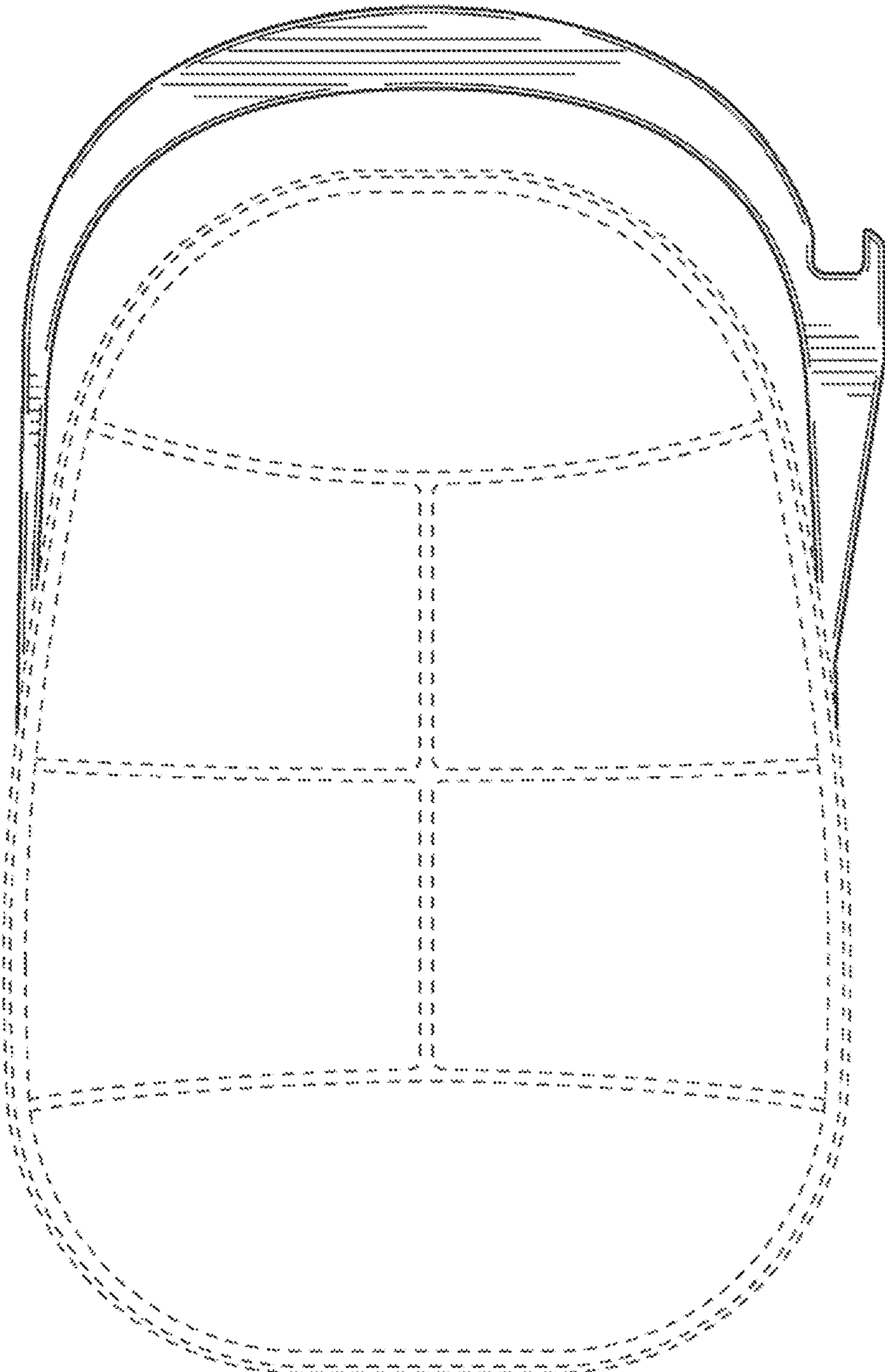


FIG. 6



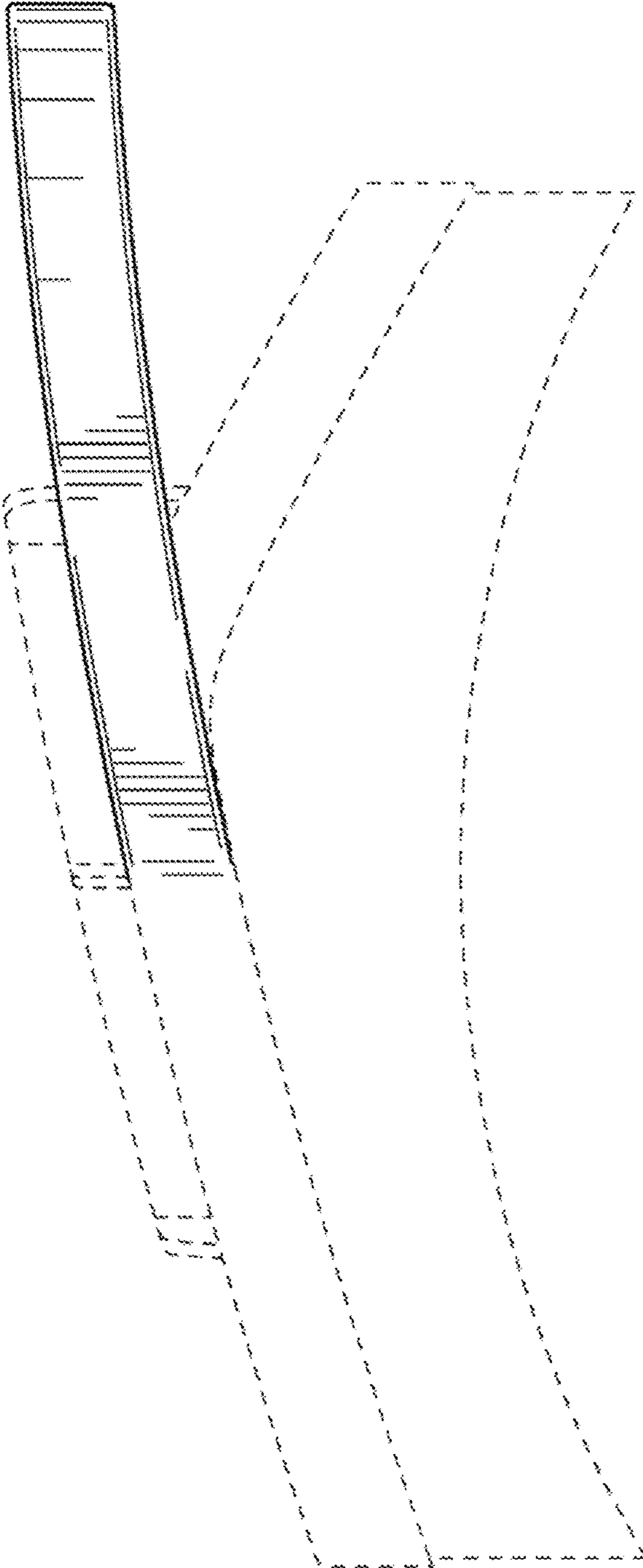


FIG. 7

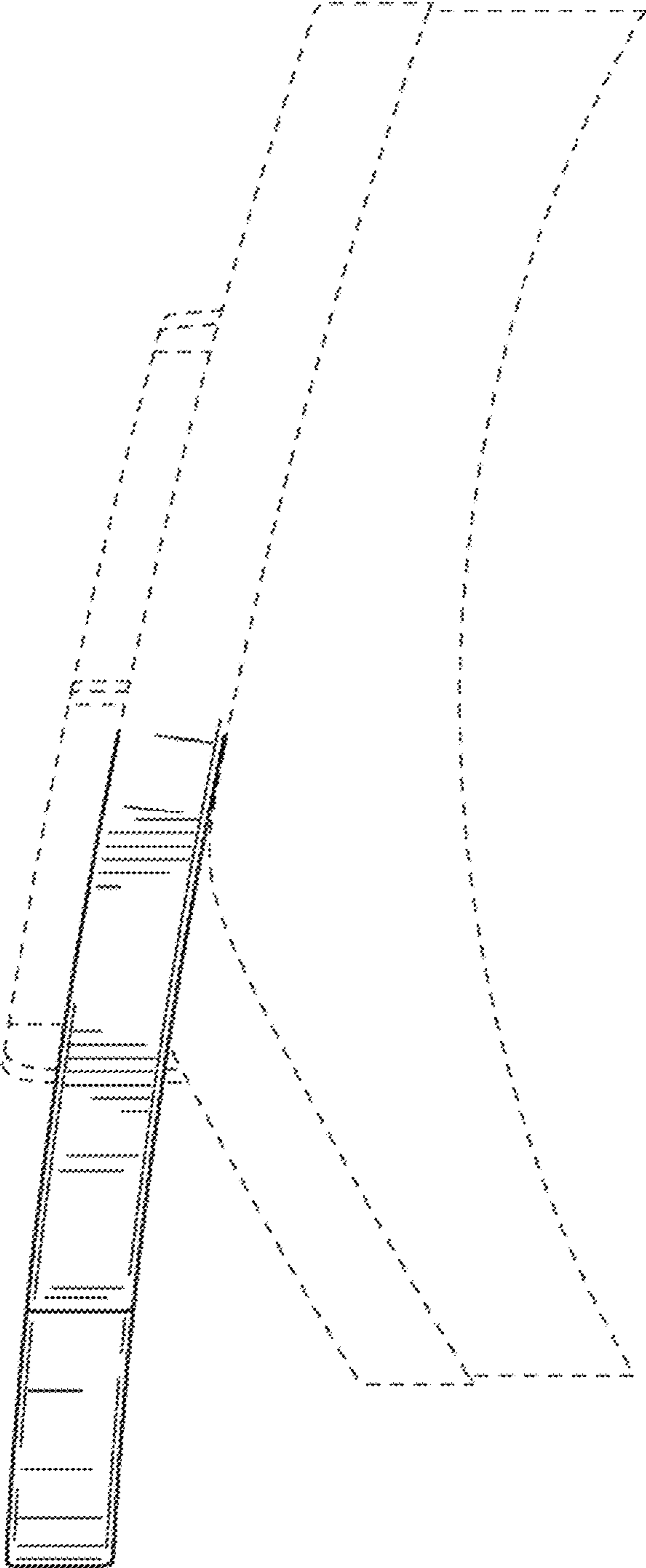


FIG. 8