



US00D879465S

(12) **United States Design Patent**
Kruger et al.

(10) **Patent No.:** **US D879,465 S**
(45) **Date of Patent:** **** Mar. 31, 2020**

(54) **COMBINATION GARMENT BAG AND TOTE**

(57) **CLAIM**

(71) Applicants: **Lindsay Brooke Kriger**, New York, NY (US); **Jonathan Franklin Kestenbaum**, New York, NY (US)

The ornamental design for a combination garment bag and tote, as shown and described.

(72) Inventors: **Lindsay Brooke Kriger**, New York, NY (US); **Jonathan Franklin Kestenbaum**, New York, NY (US)

DESCRIPTION

(**) Term: **15 Years**

FIG. 1 is an isometric view of the front of the unfolded combination garment bag and tote.

(21) Appl. No.: **29/603,818**

FIG. 2 is an isometric view of the back of the unfolded combination garment bag and tote.

(22) Filed: **May 12, 2017**

FIG. 3 is a plan view of the front of the unfolded combination garment bag and tote.

(51) **LOC (12) Cl.** **03-01**

FIG. 4 is a plan view of the back of the unfolded combination garment bag and tote.

(52) **U.S. Cl.**

USPC **D3/233**; D3/278; D3/902

FIG. 5 is an elevation view of the right side of the unfolded combination garment bag and tote.

(58) **Field of Classification Search**

USPC D3/201, 205, 226, 247, 250, 273, 274, D3/276, 278, 283, 284, 285, 289, 290, D3/299, 301, 905, 243, 233, 902

FIG. 6 is an elevation view of the left side of the unfolded combination garment bag and tote.

(Continued)

FIG. 7 is an elevation view of the lower end of the unfolded combination garment bag and tote.

(56) **References Cited**

U.S. PATENT DOCUMENTS

D242,658 S * 12/1976 Genaro D3/285
D265,607 S * 8/1982 Cooper D3/278

(Continued)

FIG. 8 is an elevation view of the upper end of the unfolded combination garment bag and tote.

OTHER PUBLICATIONS

Amazon.co.uk, "Biaggi Hangeroo Garment Bag+Tote", First on sale Jun. 6, 2016. (<https://www.amazon.co.uk/Biaggi-Hangeroo-Garment-Bag-Tote/dp/B072FNLM1M>) (Year: 2016).*

(Continued)

FIG. 9 is an isometric view of the front of the folded combination garment bag and tote.

Primary Examiner — Jennifer Rivard

Assistant Examiner — April Rivas

(74) *Attorney, Agent, or Firm* — Hughes Hubbard & Reed LLP; Stefanie M. Garibyan

FIG. 10 is an isometric view of the back of the folded combination garment bag and tote.

FIG. 11 is an elevation view of the front of the folded combination garment bag and tote.

FIG. 12 is an elevation view of the back of the folded combination garment bag and tote.

FIG. 13 is an elevation view of the left side of the folded combination garment bag and tote.

FIG. 14 is an elevation view of the right side of the folded combination garment bag and tote.

FIG. 15 is a plan view of the top of the folded combination garment bag and tote; and,

FIG. 16 is a plan view of the bottom of the folded combination garment bag and tote.

The broken lines in the FIGS. 1-16 illustrate portions of the combination garment bag and tote and form no part of the claimed design.

1 Claim, 13 Drawing Sheets



(58) **Field of Classification Search**

CPC A45C 3/00; A45C 3/004; A45C 2003/008;
A45C 5/06; A45C 3/04; A45C 13/00

See application file for complete search history.

(56) **References Cited**

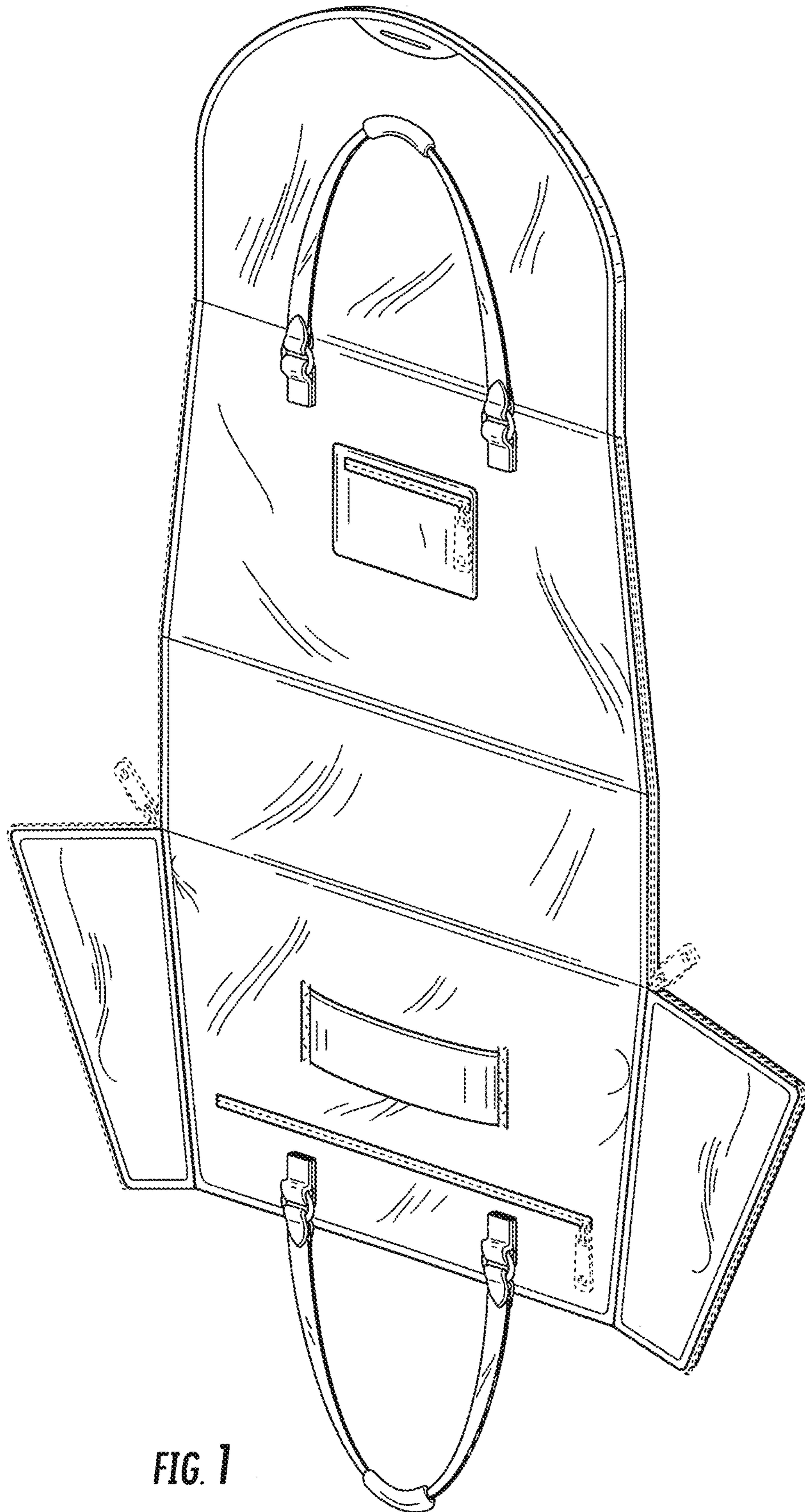
U.S. PATENT DOCUMENTS

D283,373	S	*	4/1986	Bomes	D3/278
D283,759	S	*	5/1986	Gibbs	D3/278
6,223,870	B1	*	5/2001	Godshaw	A45C 7/0077 190/107
D487,345	S	*	3/2004	Brouard	D3/276
D505,012	S	*	5/2005	Godshaw	D3/287
D685,590	S	*	7/2013	Hale	D3/278
D720,537	S	*	1/2015	Taller	D3/285
D767,892	S	*	10/2016	Georges	D3/271.4
D829,002	S	*	9/2018	Chalk	D3/278
D831,354	S	*	10/2018	McBride	D3/299
2016/0360843	A1	*	12/2016	Yang	A45C 3/004

OTHER PUBLICATIONS

Amazon, "Biaggi Luggage Hangeroo Two-In-One Garment Bag + Duffel", First on sale Dec. 28, 2016. (<https://www.amazon.com/Biaggi-Luggage-Hangeroo-Garment-Duffel/dp/B0746S4J4W>) (Year: 2016).*

* cited by examiner



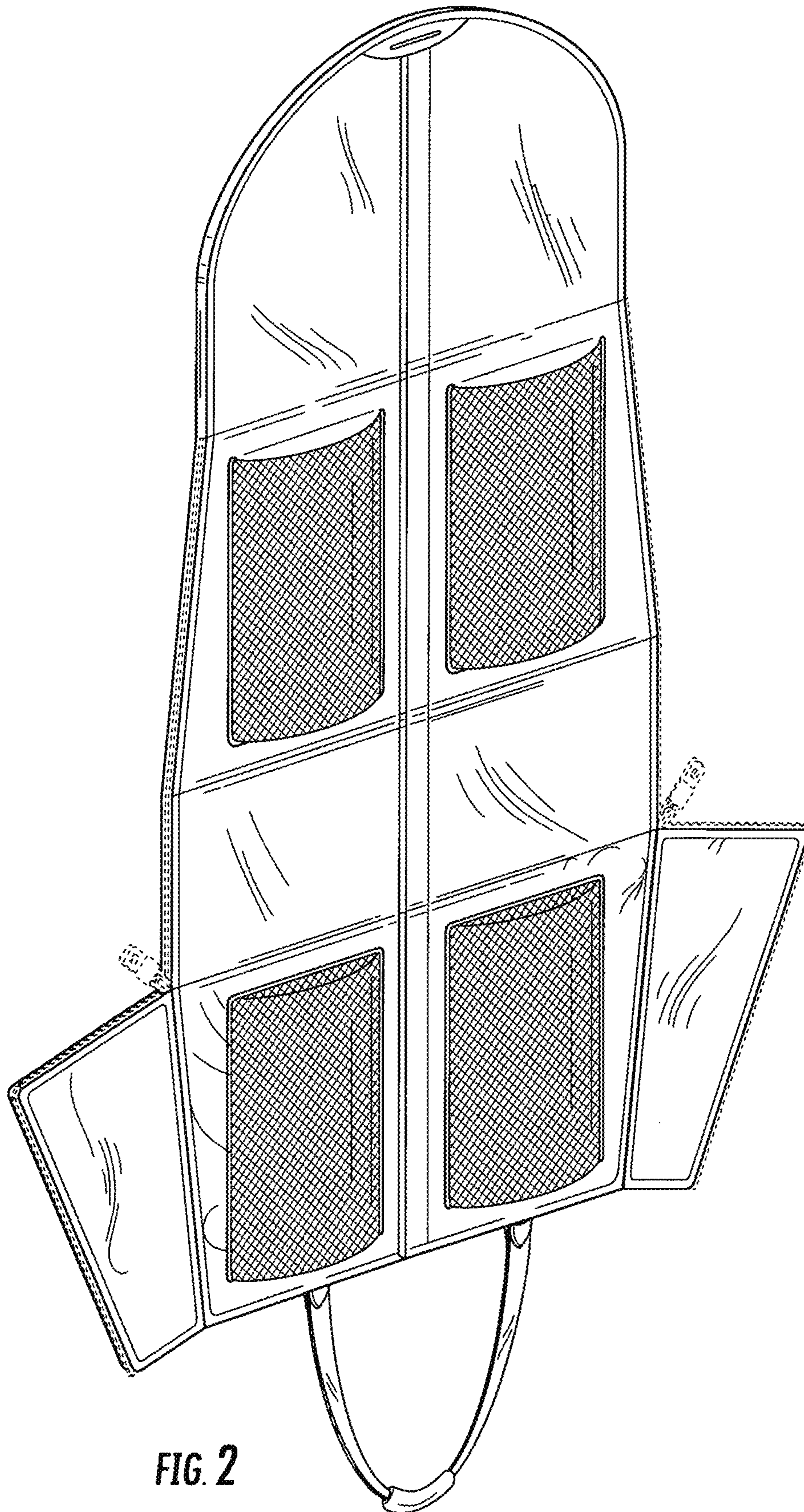


FIG. 2

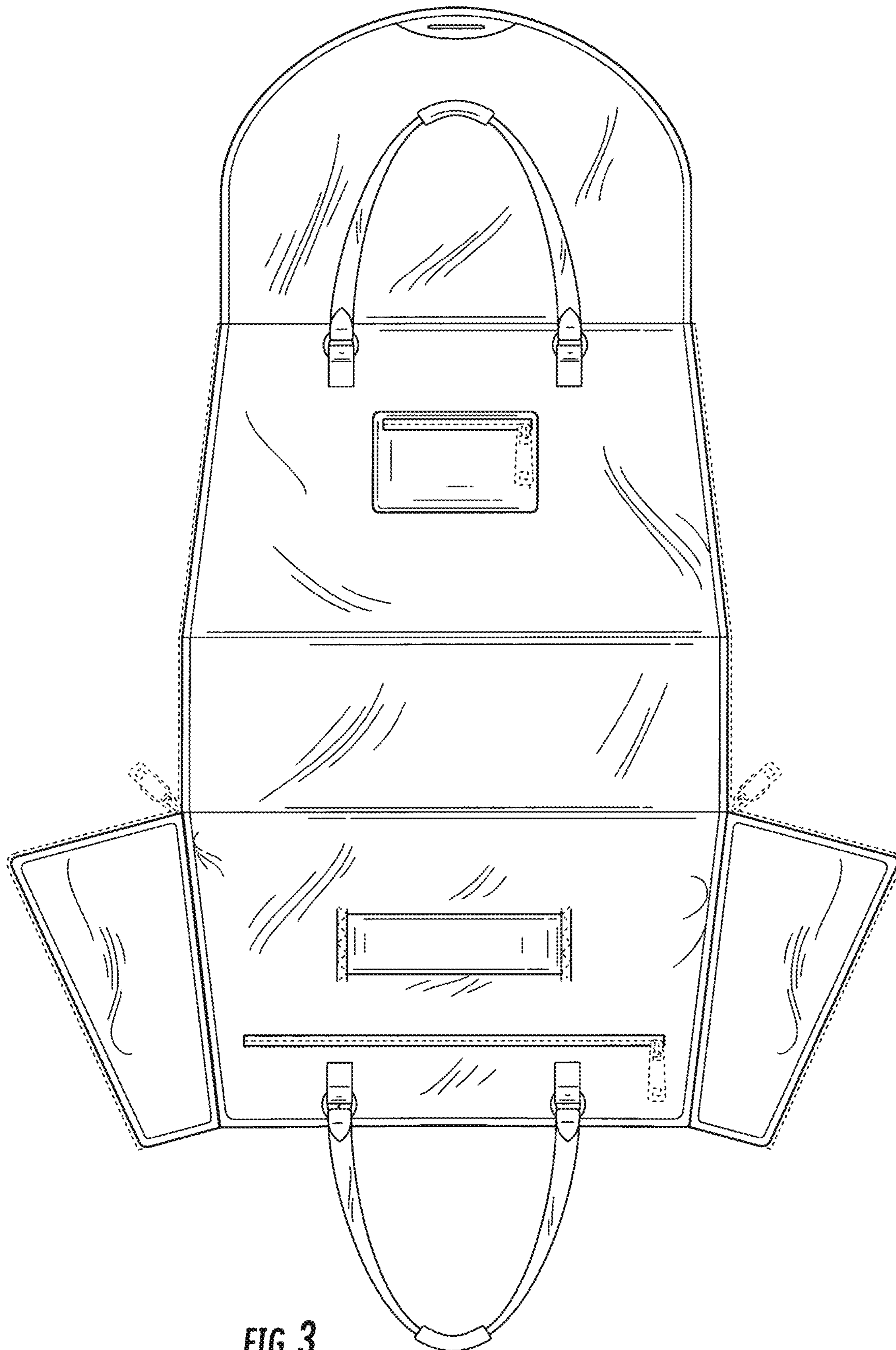
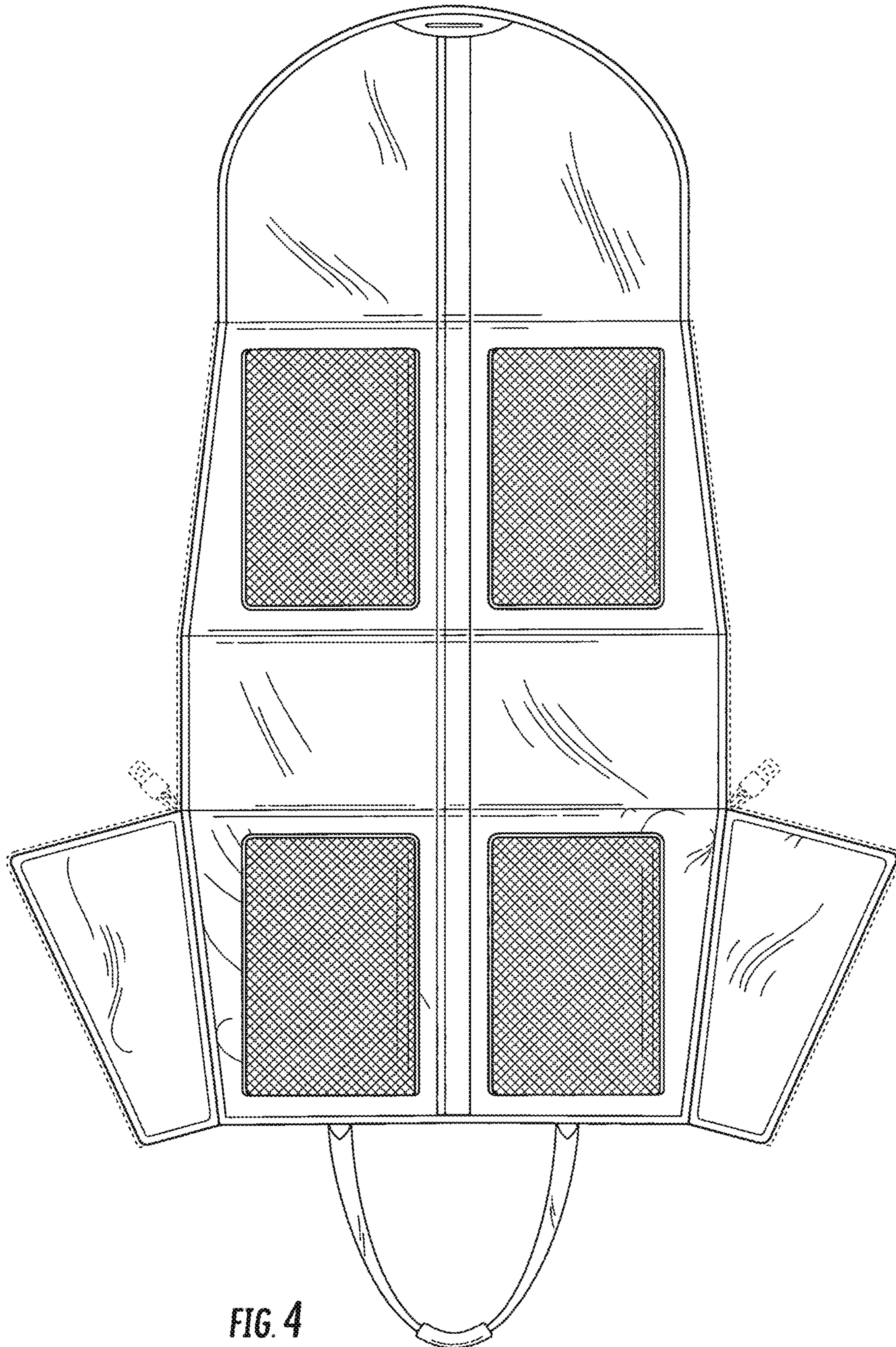


FIG. 3



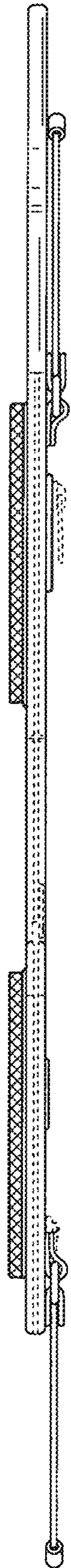


FIG. 5

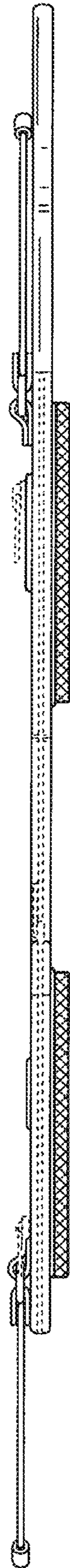


FIG. 6

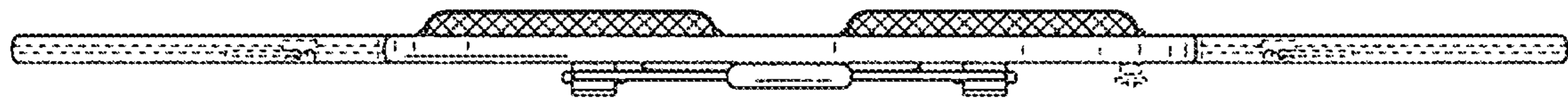


FIG. 7



FIG. 8



FIG. 9



FIG. 10



FIG. 11



FIG. 12

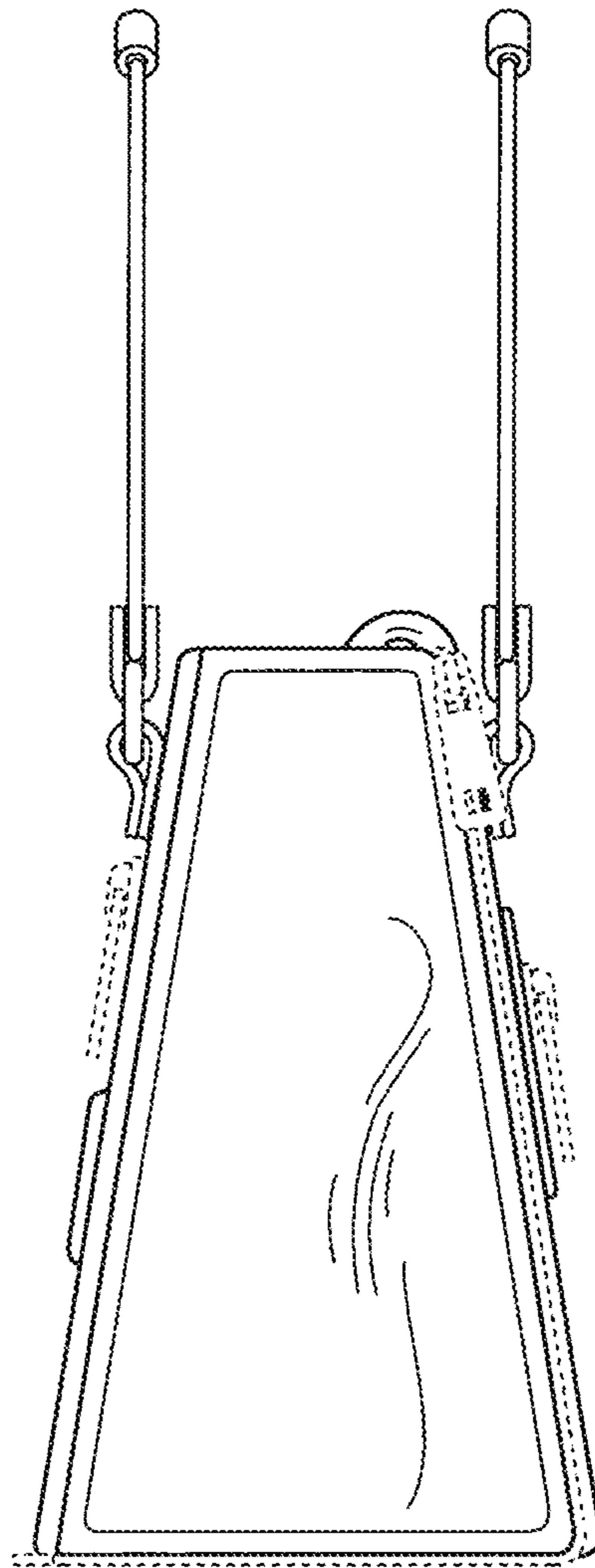


FIG. 13

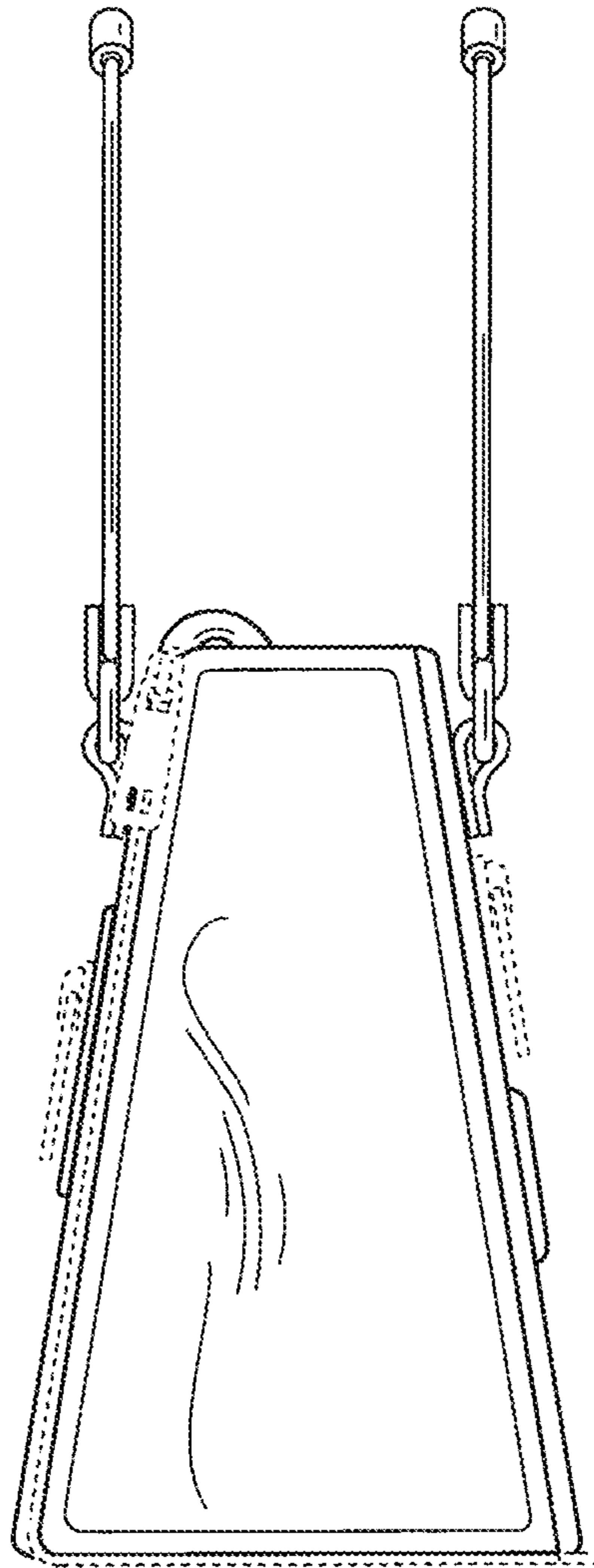


FIG. 14

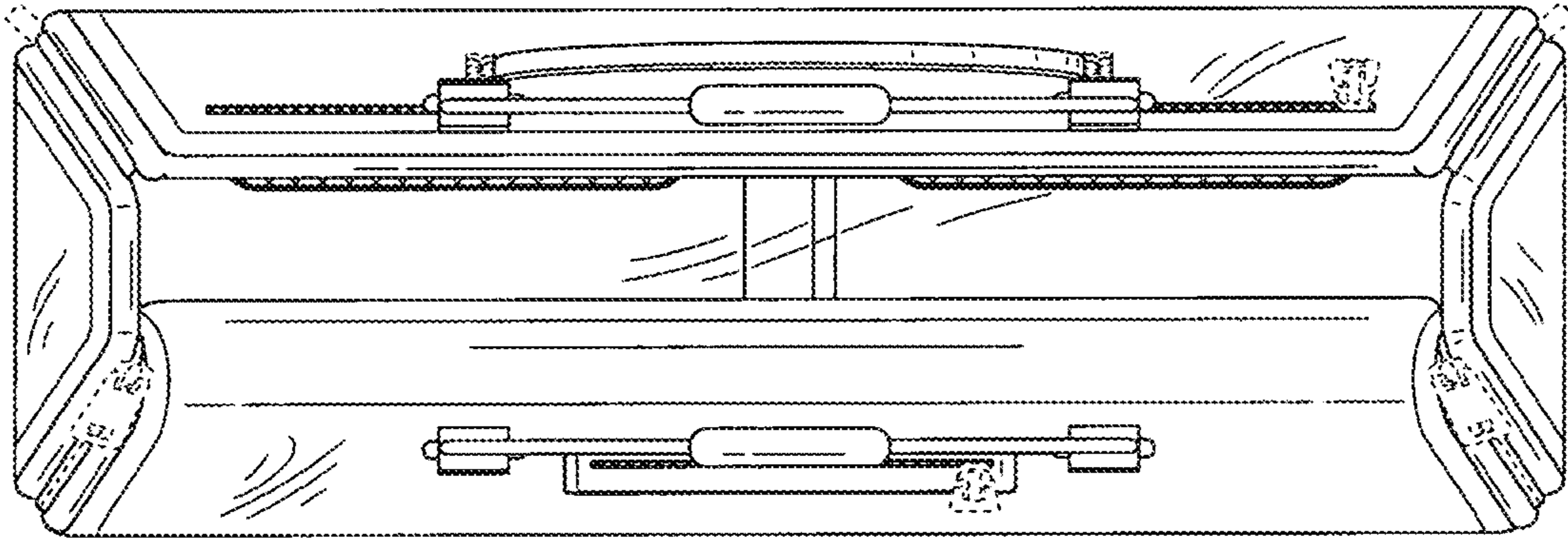


FIG. 15

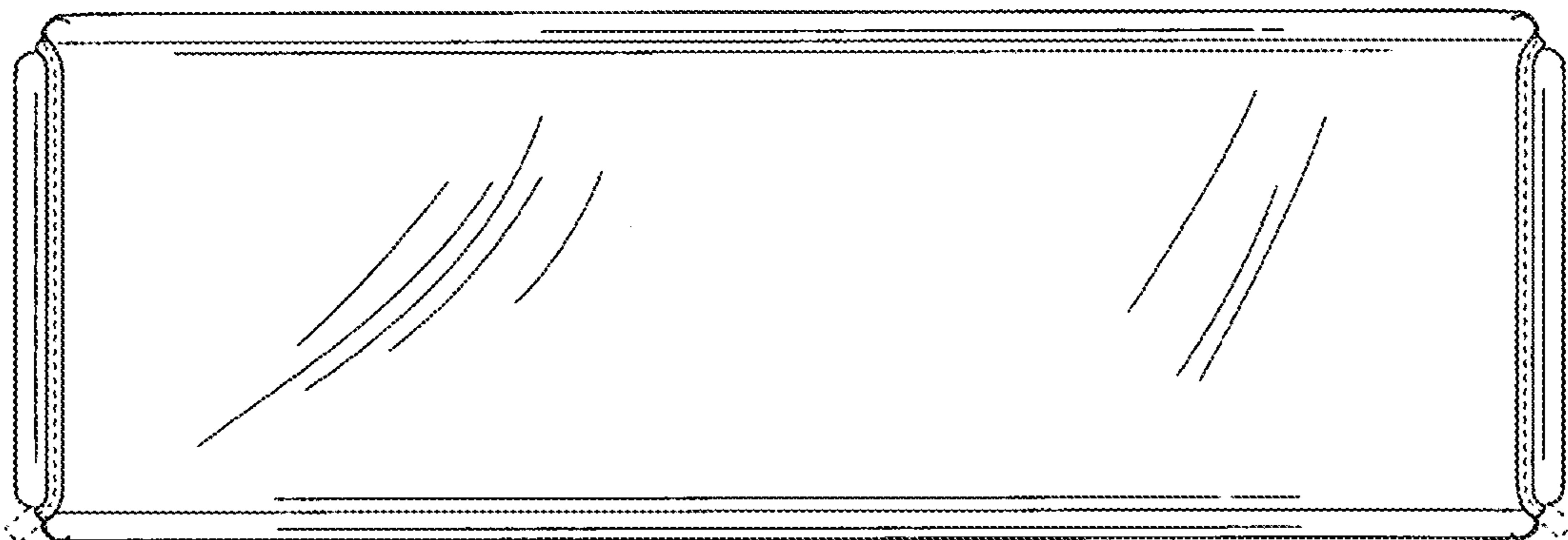


FIG. 16