



US00D879464S

(12) **United States Design Patent**
Vario, Jr.

(10) **Patent No.:** **US D879,464 S**

(45) **Date of Patent:** **** Mar. 31, 2020**

(54) **DIAPER BACKPACK**

(71) Applicant: **Vincenzo Antonio Vario, Jr.**, Austin,
TX (US)

(72) Inventor: **Vincenzo Antonio Vario, Jr.**, Austin,
TX (US)

(**) Term: **15 Years**

(21) Appl. No.: **29/641,153**

(22) Filed: **Mar. 20, 2018**

(51) **LOC (12) Cl.** **03-01**

(52) **U.S. Cl.**
USPC **D3/217**

(58) **Field of Classification Search**
USPC D3/215–217, 273, 289, 290, 318, 321,
D3/322, 323
CPC .. A45F 3/04; A45F 3/042; A45F 3/047; A45F
3/08; A45F 3/10; A45F 3/14; A45F 4/02;
A45F 4/08; A45F 2200/05; A45F
2200/0525; A45C 13/08; A45C 13/083
See application file for complete search history.

(56) **References Cited**

U.S. PATENT DOCUMENTS

D661,085 S * 6/2012 Custer D3/217
D687,633 S * 8/2013 Deutschendorf D3/278

D702,434 S * 4/2014 Chalk D3/216
D787,816 S * 5/2017 Slimane D3/217
D798,043 S * 9/2017 Sassi D3/217
D819,959 S * 6/2018 Choi D3/217
D824,660 S * 8/2018 Ross D3/217
2017/0340092 A1* 11/2017 Moreau A45F 3/04

* cited by examiner

Primary Examiner — Barbara Fox

Assistant Examiner — Mary Shannon Malley

(74) *Attorney, Agent, or Firm* — Dunlap Bennett &
Ludwig PLLC; Brendan E. Squire

(57) **CLAIM**

The ornamental design for a diaper backpack, as shown and
described.

DESCRIPTION

FIG. 1 is a front perspective view of the diaper backpack
showing my new design;
FIG. 2 is a front elevation view thereof;
FIG. 3 is a rear elevation view thereof;
FIG. 4 is a left side elevation view thereof;
FIG. 5 is a right side elevation view thereof;
FIG. 6 is a top plan view thereof; and,
FIG. 7 is a bottom plan view thereof.

The broken lines shown in the drawings illustrate portions of
the diaper backpack that form no part of the claimed design.

1 Claim, 6 Drawing Sheets





FIG. 1

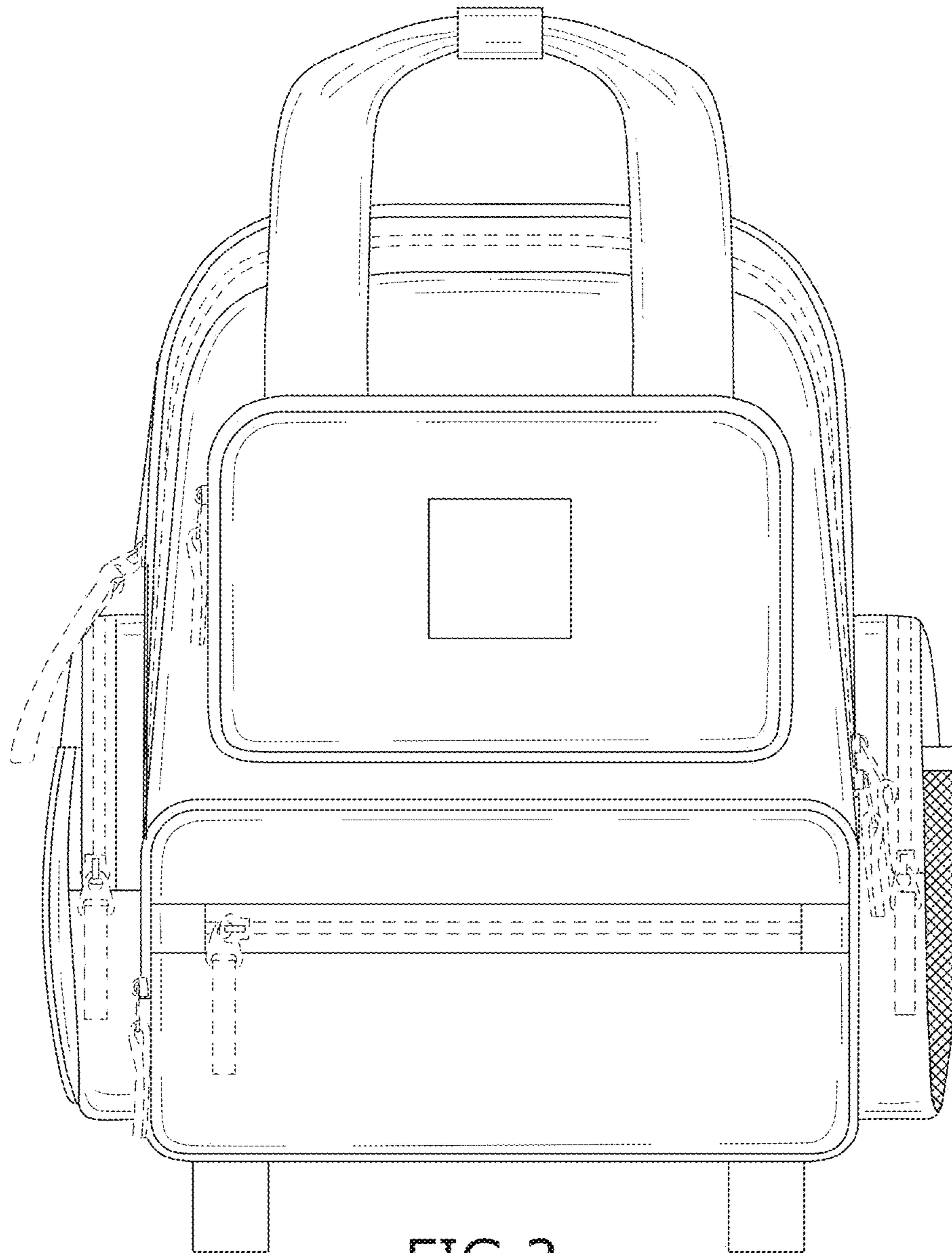


FIG. 2

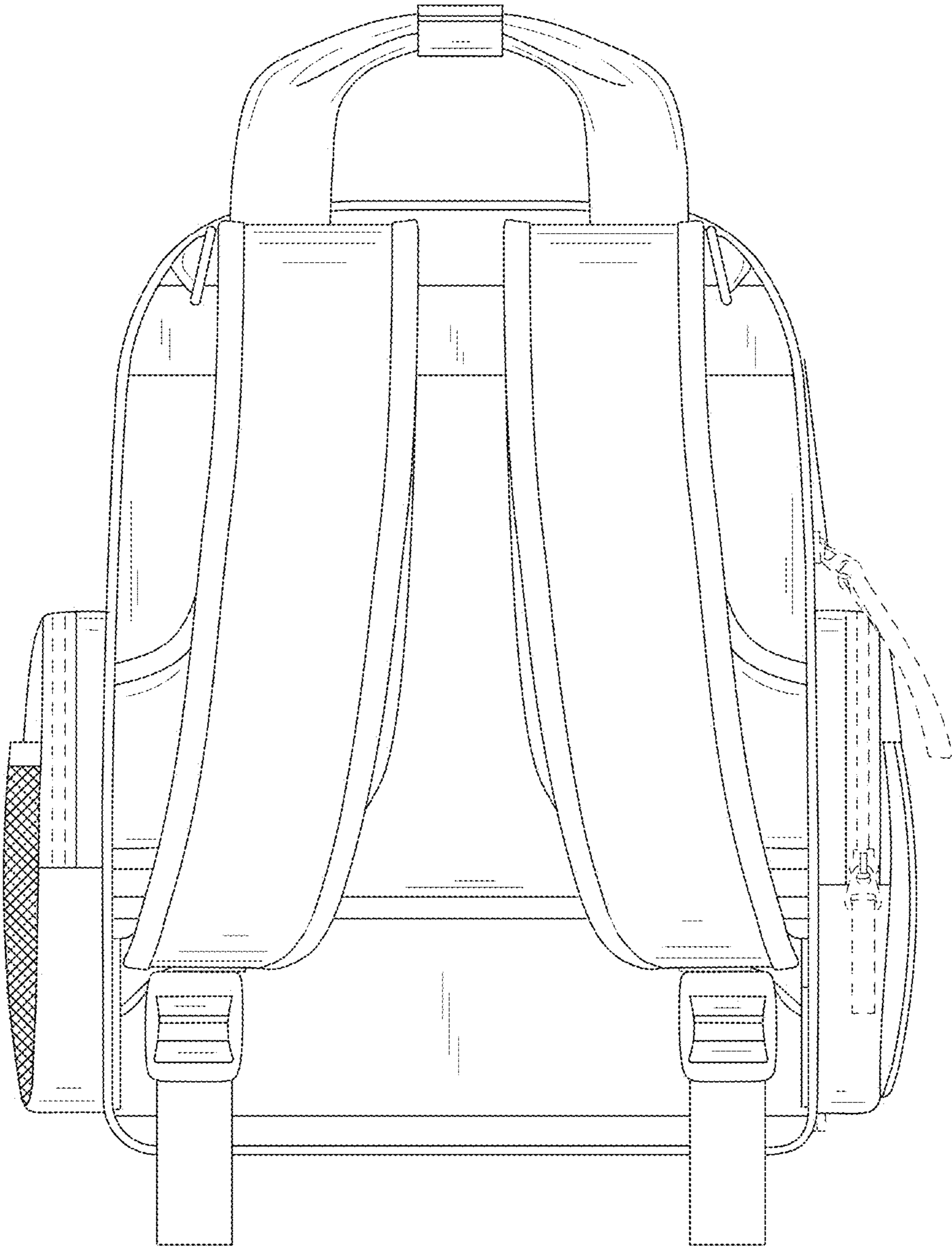


FIG.3

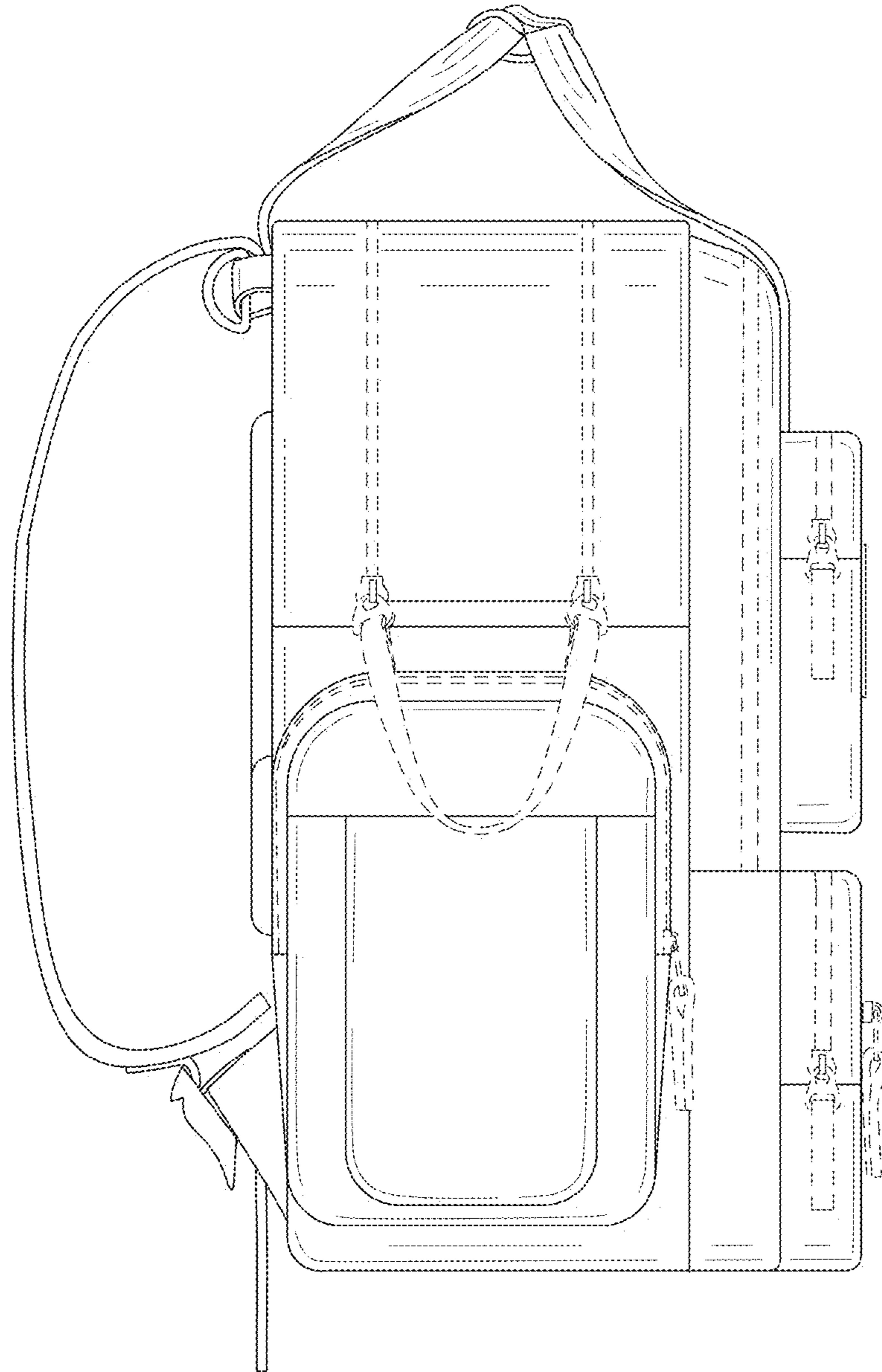


FIG.4

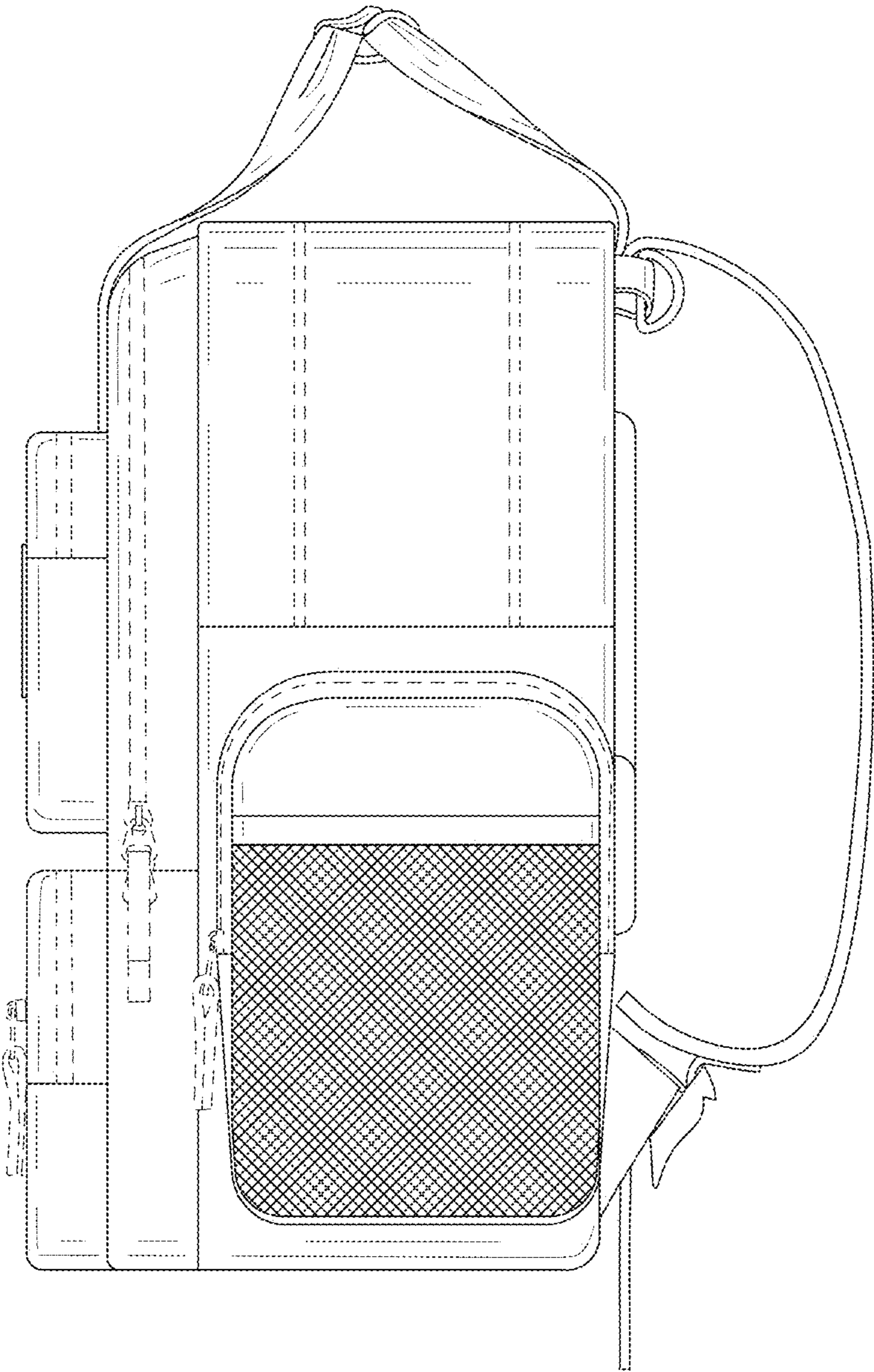


FIG.5

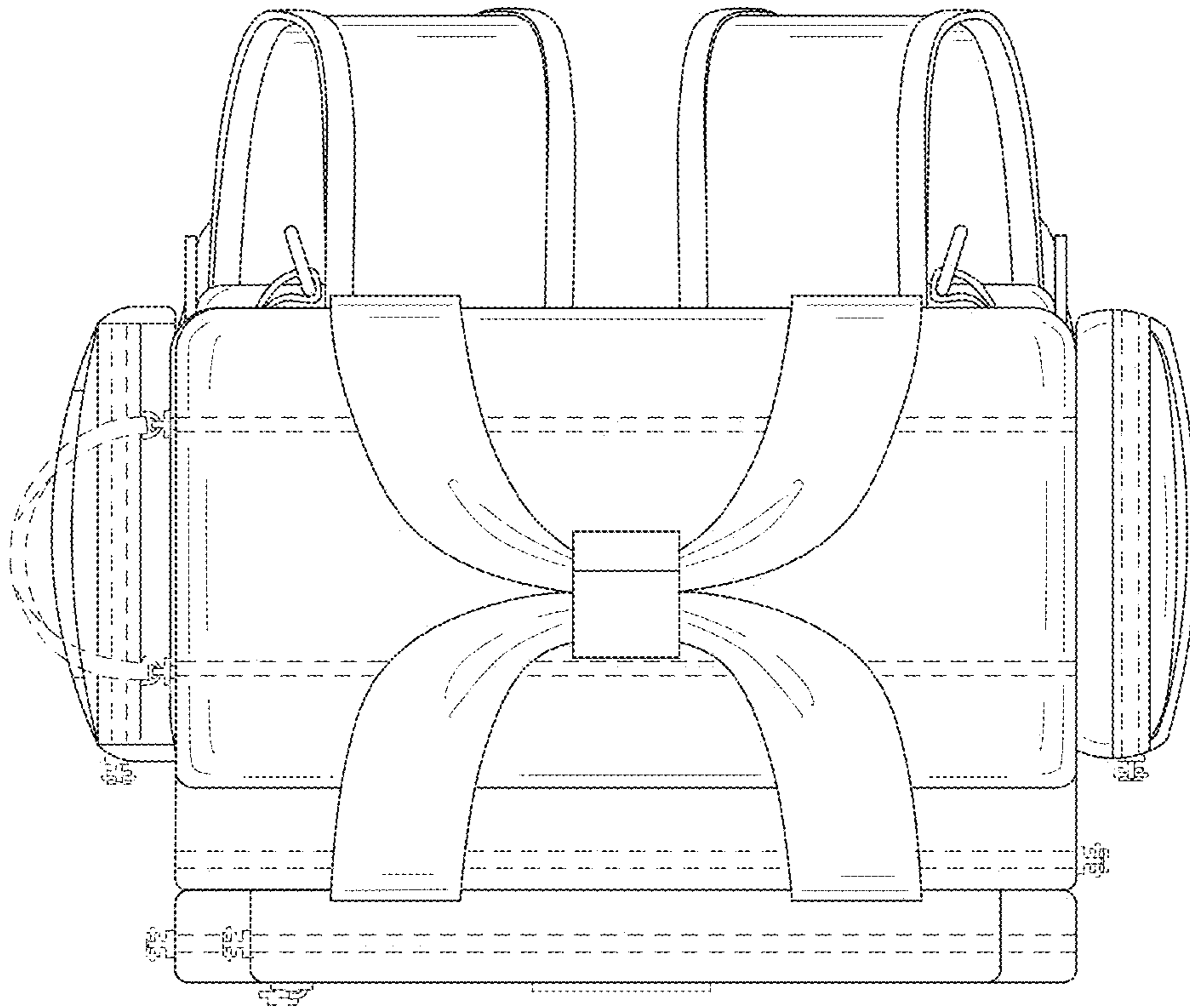


FIG. 6

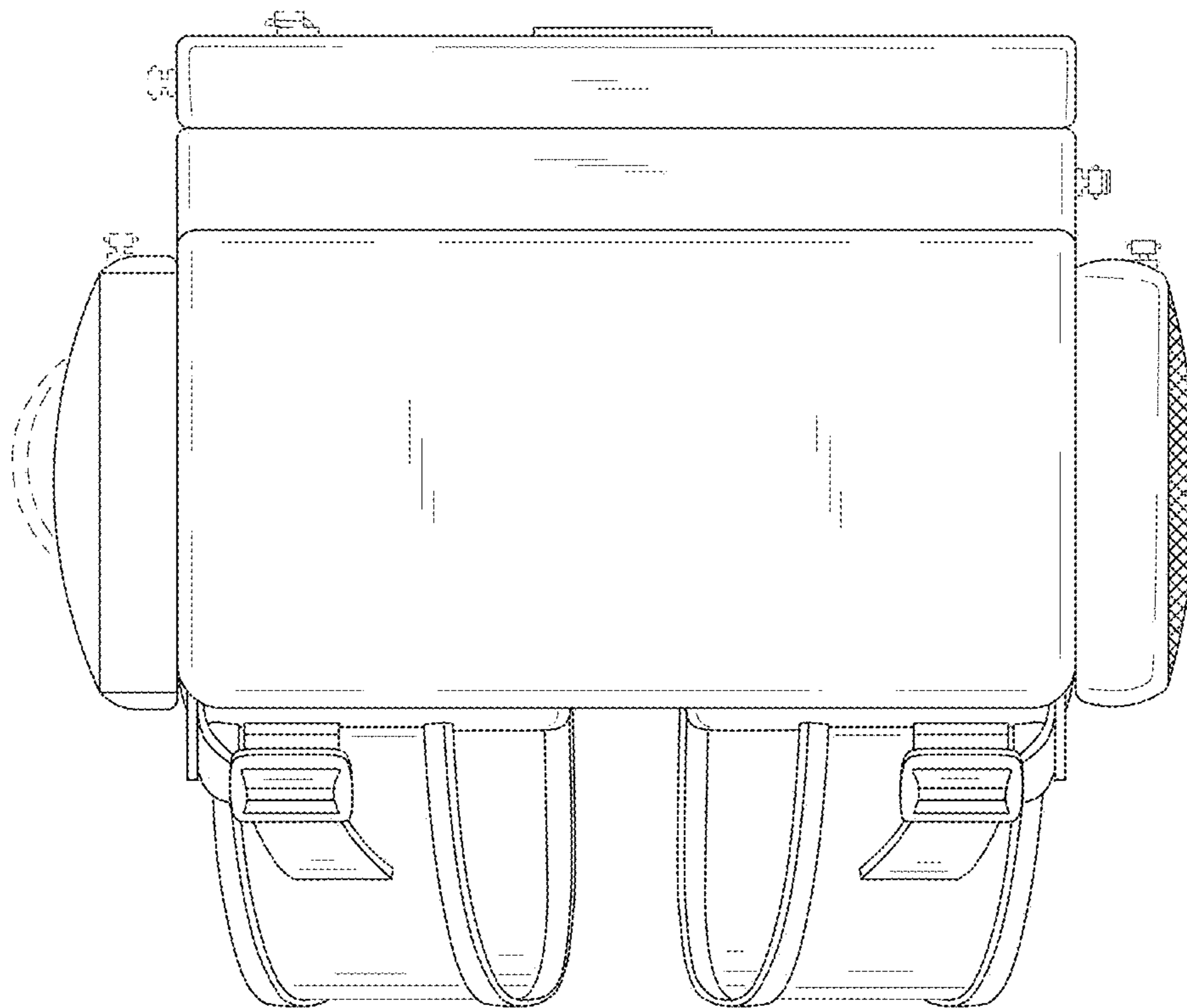


FIG. 7