

US00D879462S

(12) **United States Design Patent** (10) **Patent No.:** **US D879,462 S**  
**Si** (45) **Date of Patent:** **\*\* Mar. 31, 2020**

(54) **PENCIL CASE**  
(71) Applicant: **SHENZHEN BAOBEIYUAN TECHNOLOGY CO., LTD**, Shenzhen (CN)

(72) Inventor: **Yuan Si**, Shenzhen (CN)  
(73) Assignee: **SHENZHEN BAOBEIYUAN TECHNOLOGY CO., LTD**, Shenzhen (CN)

(\*\*) Term: **15 Years**

(21) Appl. No.: **29/671,205**

(22) Filed: **Nov. 26, 2018**

(51) **LOC (12) Cl.** ..... **03-01**

(52) **U.S. Cl.**  
USPC ..... **D3/206; D3/301**

(58) **Field of Classification Search**  
USPC .... D3/20, 201, 203.6, 206, 233, 267, 271.1, D3/273, 274, 276, 283, 284, 285, 287, D3/289, 295, 900, 901, 905, 301; D7/607  
CPC ..... B25H 3/003; B25H 3/02; A45C 11/00; A45C 2013/025; A45C 11/38; A45C 11/34; A45C 5/005; A45C 2003/008; A45C 3/00

See application file for complete search history.

(56) **References Cited**

**U.S. PATENT DOCUMENTS**

|              |        |             |       |          |
|--------------|--------|-------------|-------|----------|
| D359,163 S * | 6/1995 | Summerfield | ..... | D3/205   |
| D373,679 S * | 9/1996 | Milby       | ..... | D3/285   |
| D379,267 S * | 5/1997 | Roegner     | ..... | D3/285   |
| D389,647 S * | 1/1998 | White       | ..... | D3/285   |
| D430,393 S * | 9/2000 | Conway      | ..... | D3/203.3 |
| D516,870 S * | 3/2006 | Martinez    | ..... | D3/289   |
| D560,361 S * | 1/2008 | Huang       | ..... | D3/301   |
| D595,503 S * | 7/2009 | Guy         | ..... | D3/205   |
| D712,144 S * | 9/2014 | Albanese    | ..... | D3/301   |

|              |        |             |       |        |
|--------------|--------|-------------|-------|--------|
| D808,168 S * | 1/2018 | Turczynskij | ..... | D3/301 |
| D822,996 S * | 7/2018 | Ehara       | ..... | D3/301 |
| D851,915 S * | 6/2019 | Bedolla     | ..... | D3/206 |
| D857,391 S * | 8/2019 | Coleman     | ..... | D3/301 |

**OTHER PUBLICATIONS**

Amazon, "Homecube Big Capacity Pencil Case Pen Pouch Bag . . .", First on sale Apr. 25, 2018. (<https://www.amazon.com/Homecube-Capacity-Organizer-Supplies-Stationery/dp/B07CMYXSVS/>) (Year: 2018).  
Amazon, "Homecube Pencil Case Big Capacity Pencil Bag . . .", First on sale Jul. 30, 2015. (<https://www.amazon.com/Homecube-Capacity-Durable-Students-Stationery/dp/B0130FHIA6/>) (Year: 2015).  
Amazon, "DTH-PANDA Pencil Case Big Capacity Storage Oxford Cloth Bag Holder . . .", First on sale Mar. 10, 2019. (<https://www.amazon.com/dp/B07PG6YFNM/>) (Year: 2019).  
Amazon, "Procace Pen Case Pencil Bag . . .", First reviewed Sep. 19, 2018. (<https://www.amazon.com/dp/B07PG6YFNM/>) (Year: 2018).

\* cited by examiner

*Primary Examiner* — April Rivas

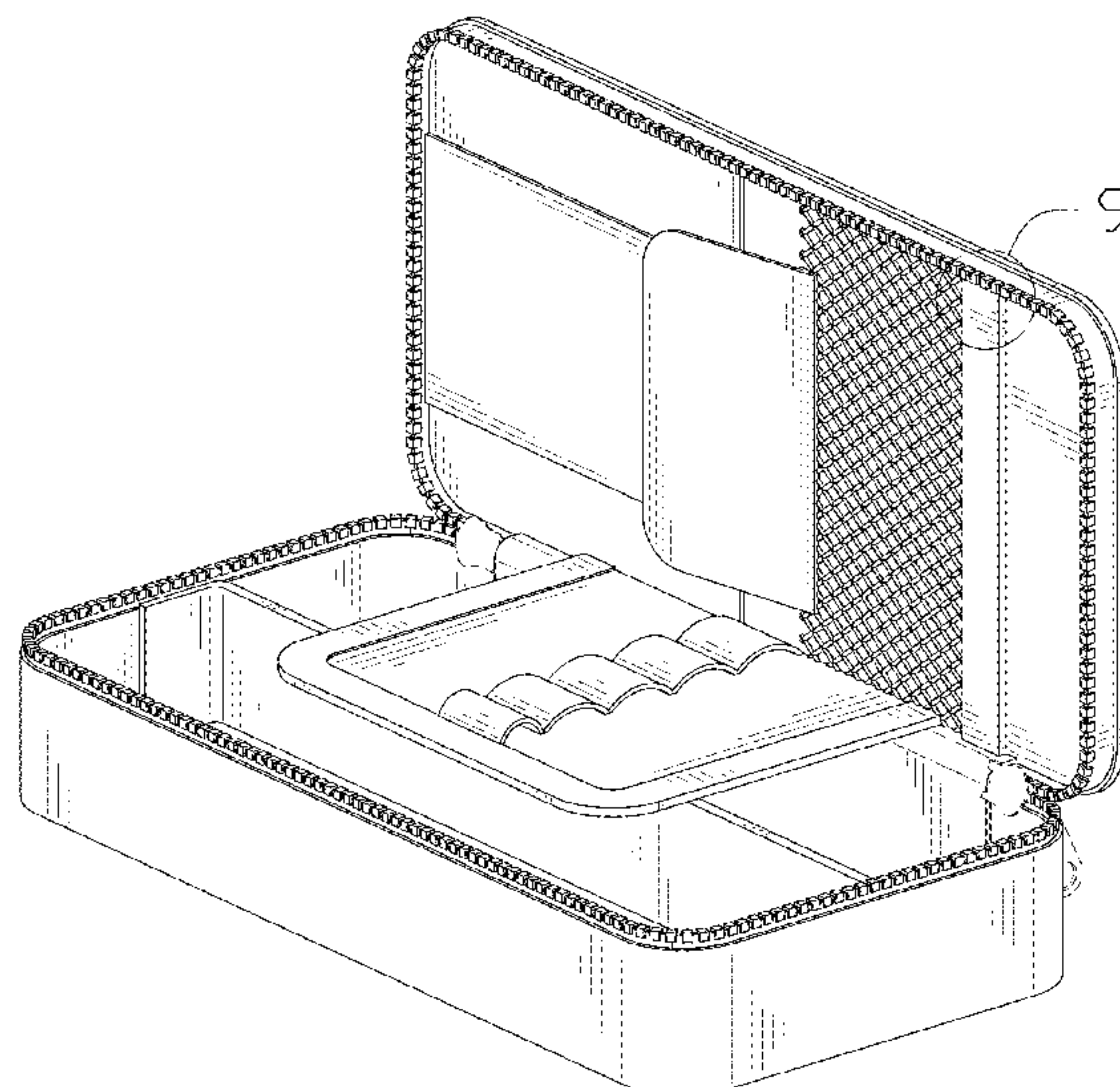
(57) **CLAIM**

The ornamental design for a pencil case, as shown and described.

**DESCRIPTION**

FIG. 1 is a perspective view of a pencil case showing my new design;  
FIG. 2 is another perspective view thereof;  
FIG. 3 is a front elevational view thereof;  
FIG. 4 is a rear elevational view thereof;  
FIG. 5 is a left side elevational view thereof;  
FIG. 6 is a right side elevational view thereof;  
FIG. 7 is a top plan view thereof;  
FIG. 8 is a bottom plan view thereof; and,  
FIG. 9 is an enlarged view of portion 9 shown in FIG. 1.  
The broken lines illustrate portions of the pencil case that form no part of the claimed design.

**1 Claim, 9 Drawing Sheets**



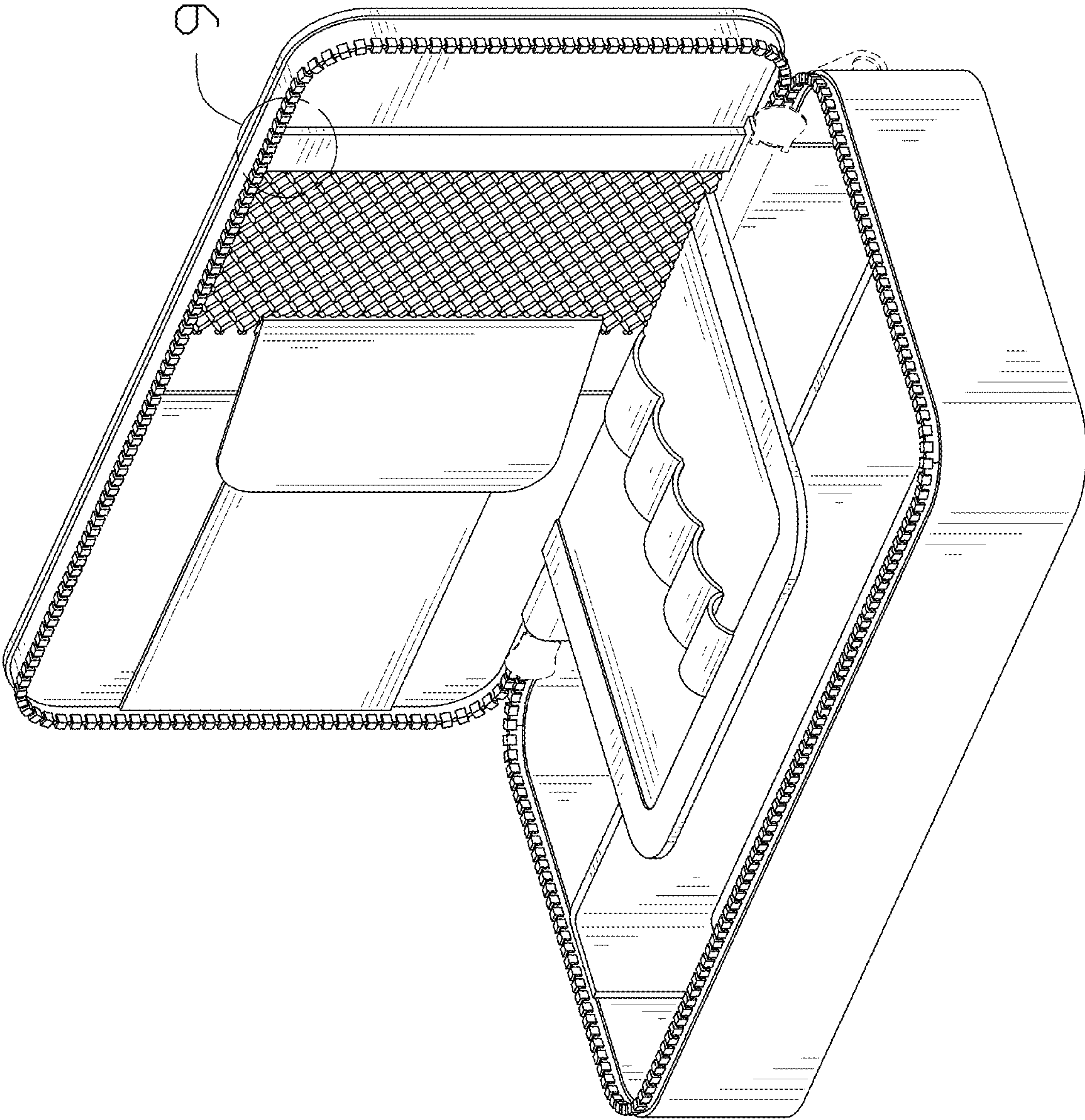


FIG. 1

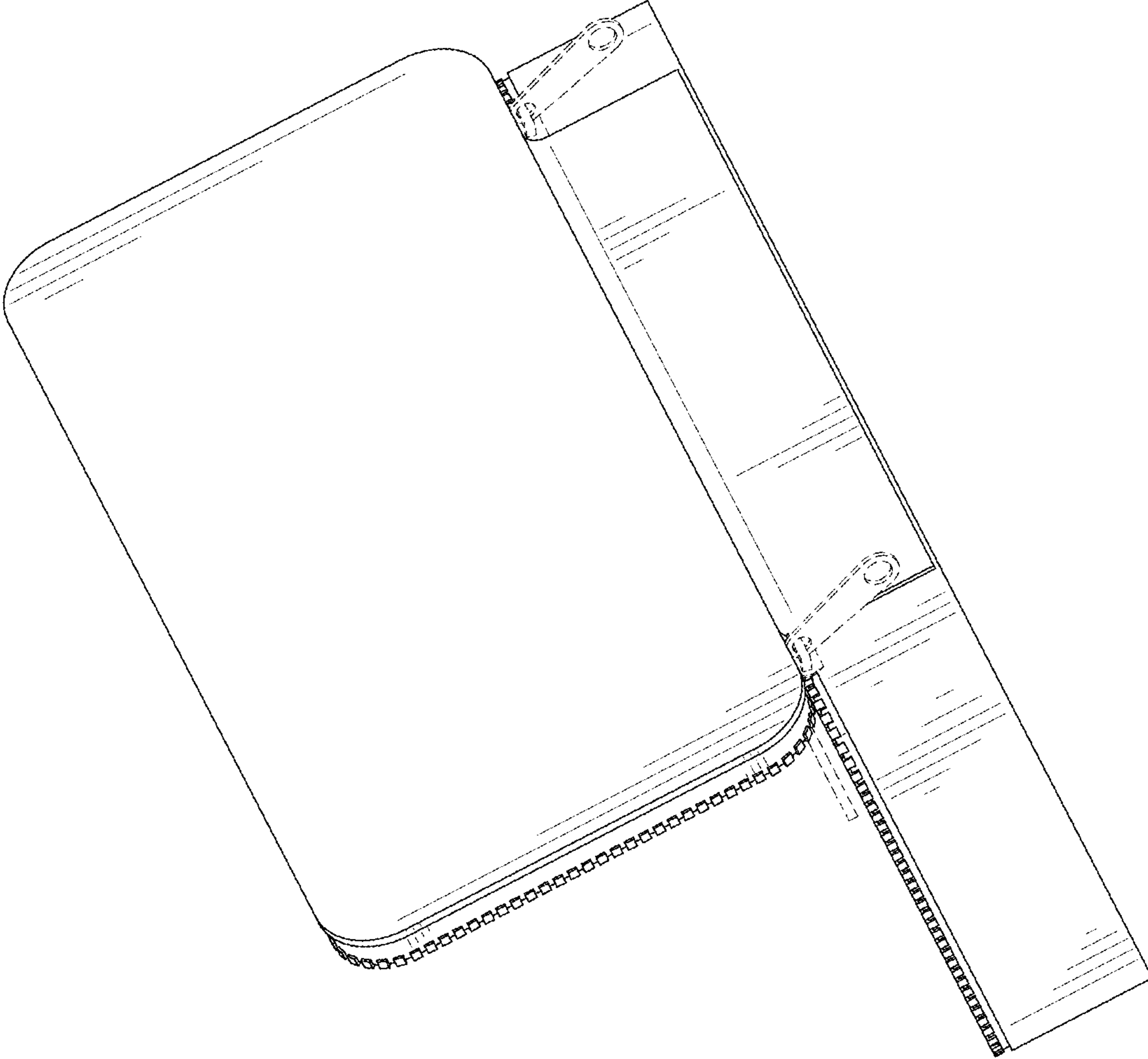


FIG. 2



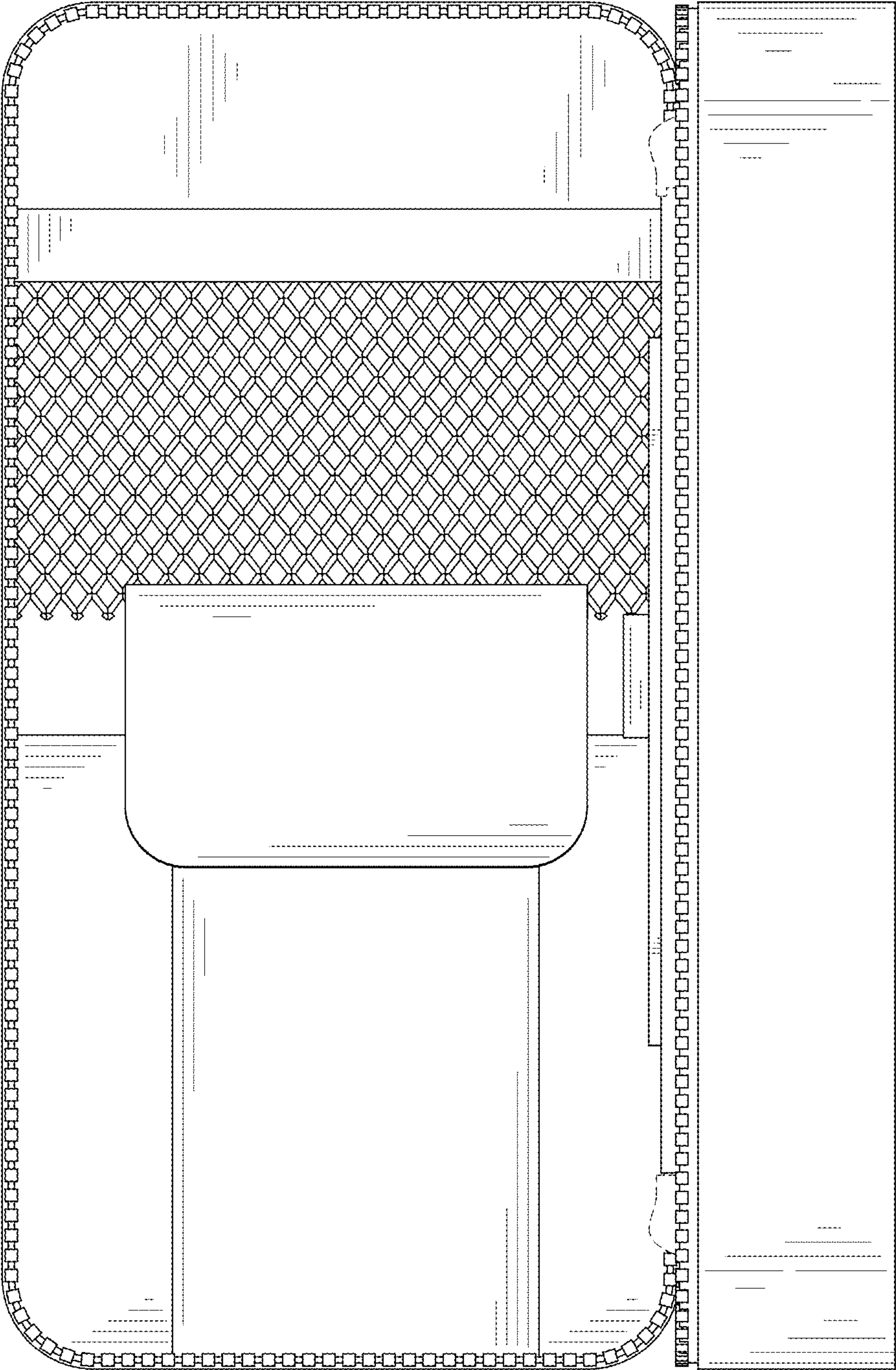


FIG. 3

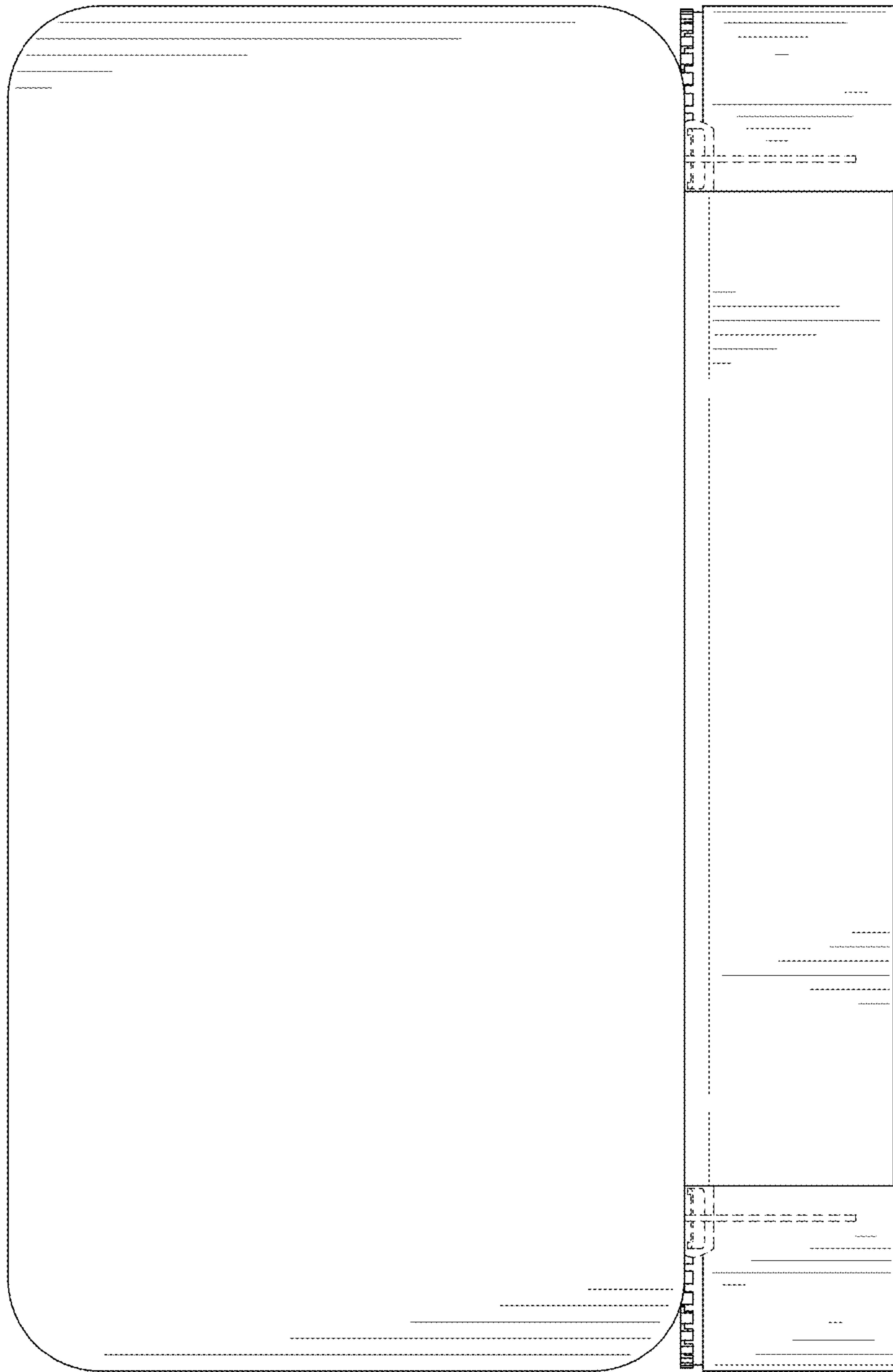


FIG. 4

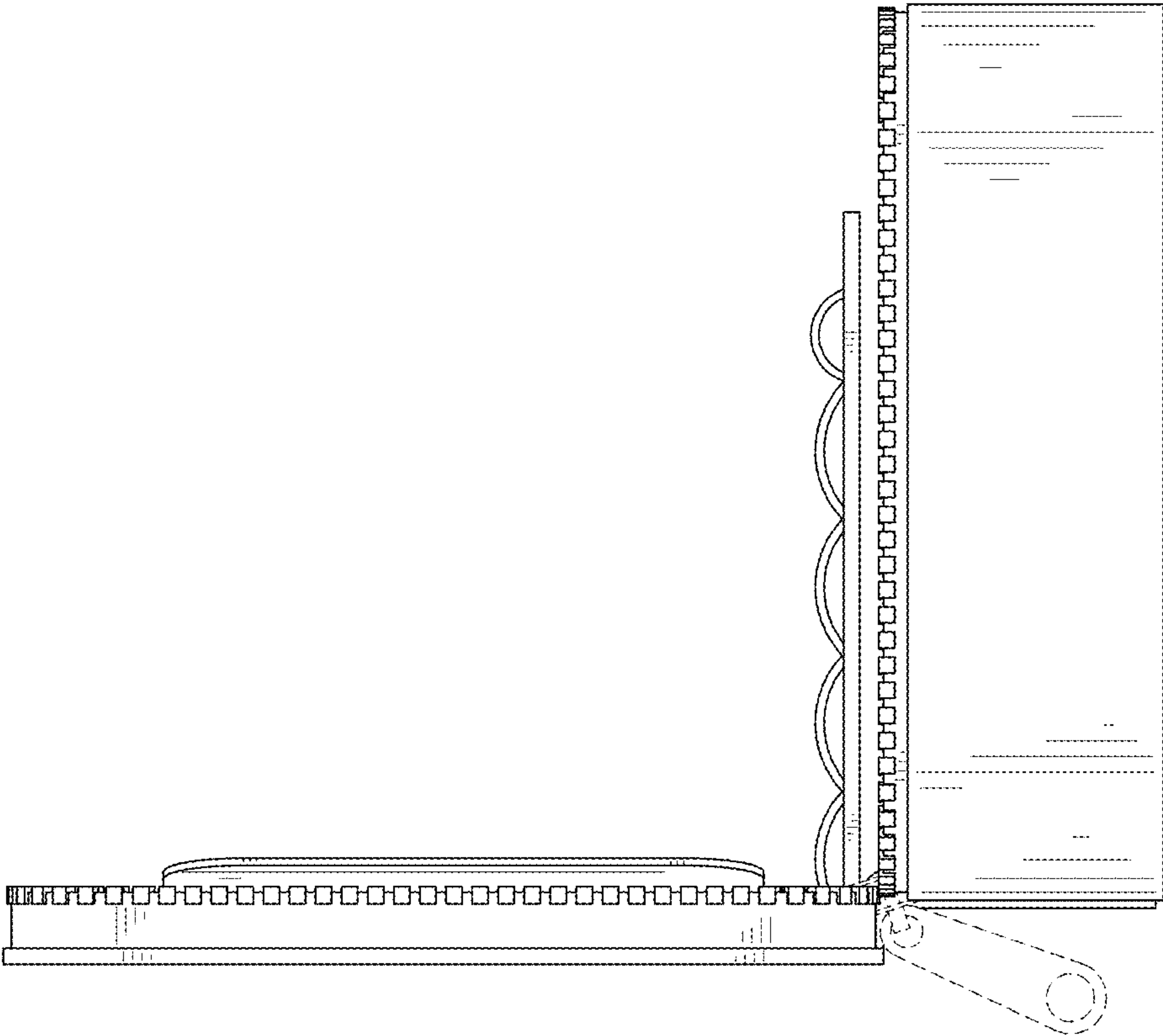


FIG. 5

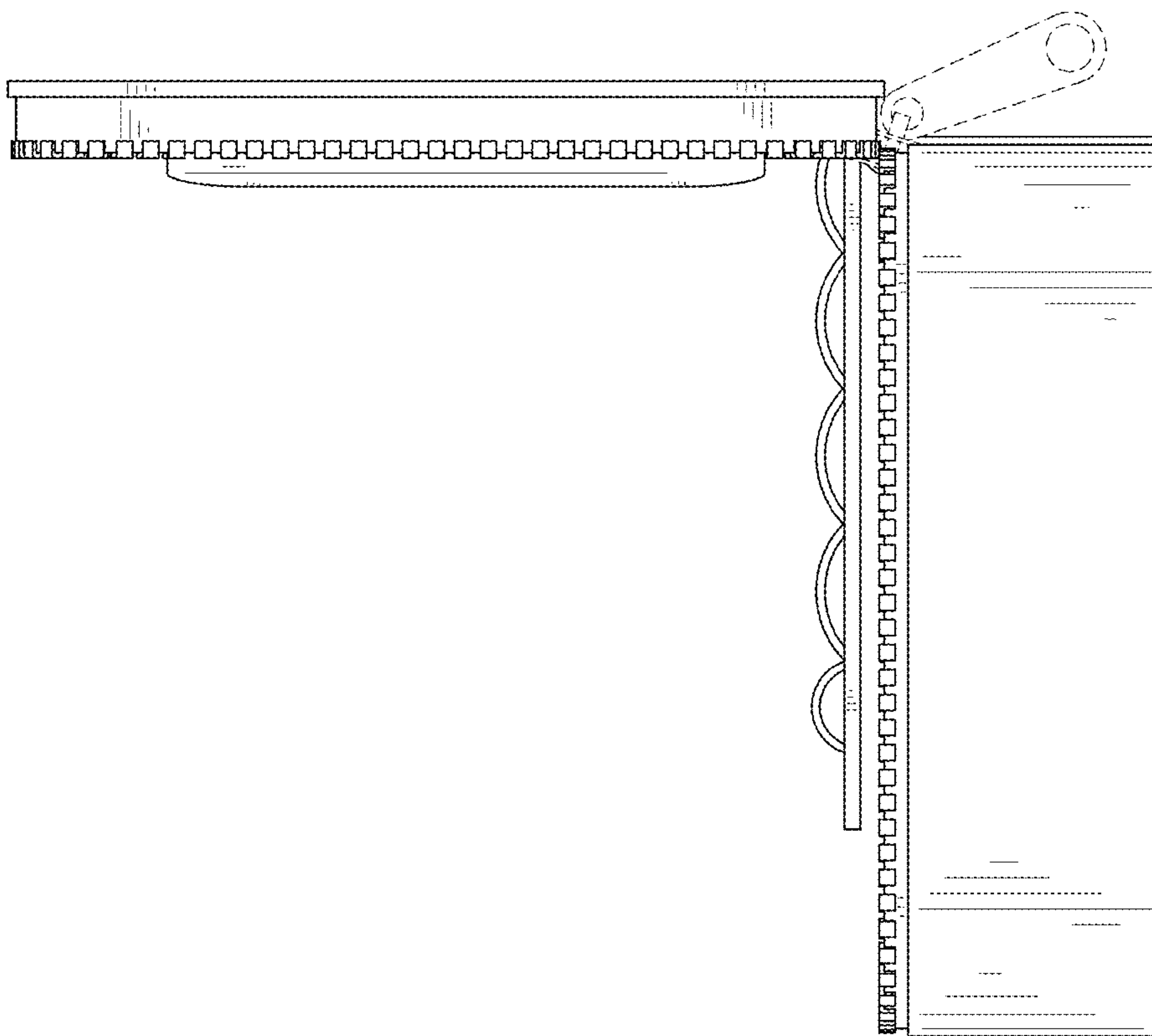


FIG. 6

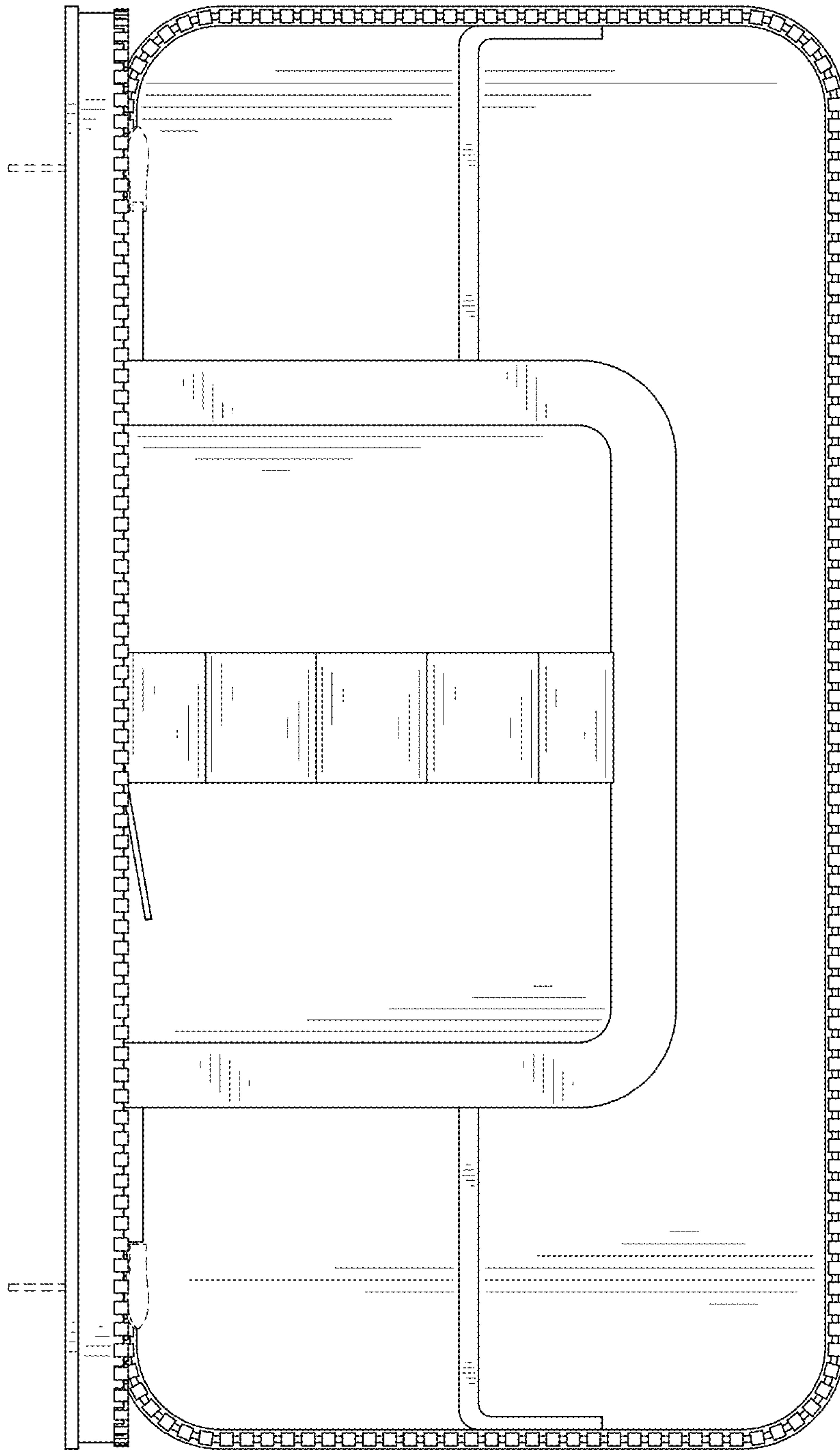


FIG. 7



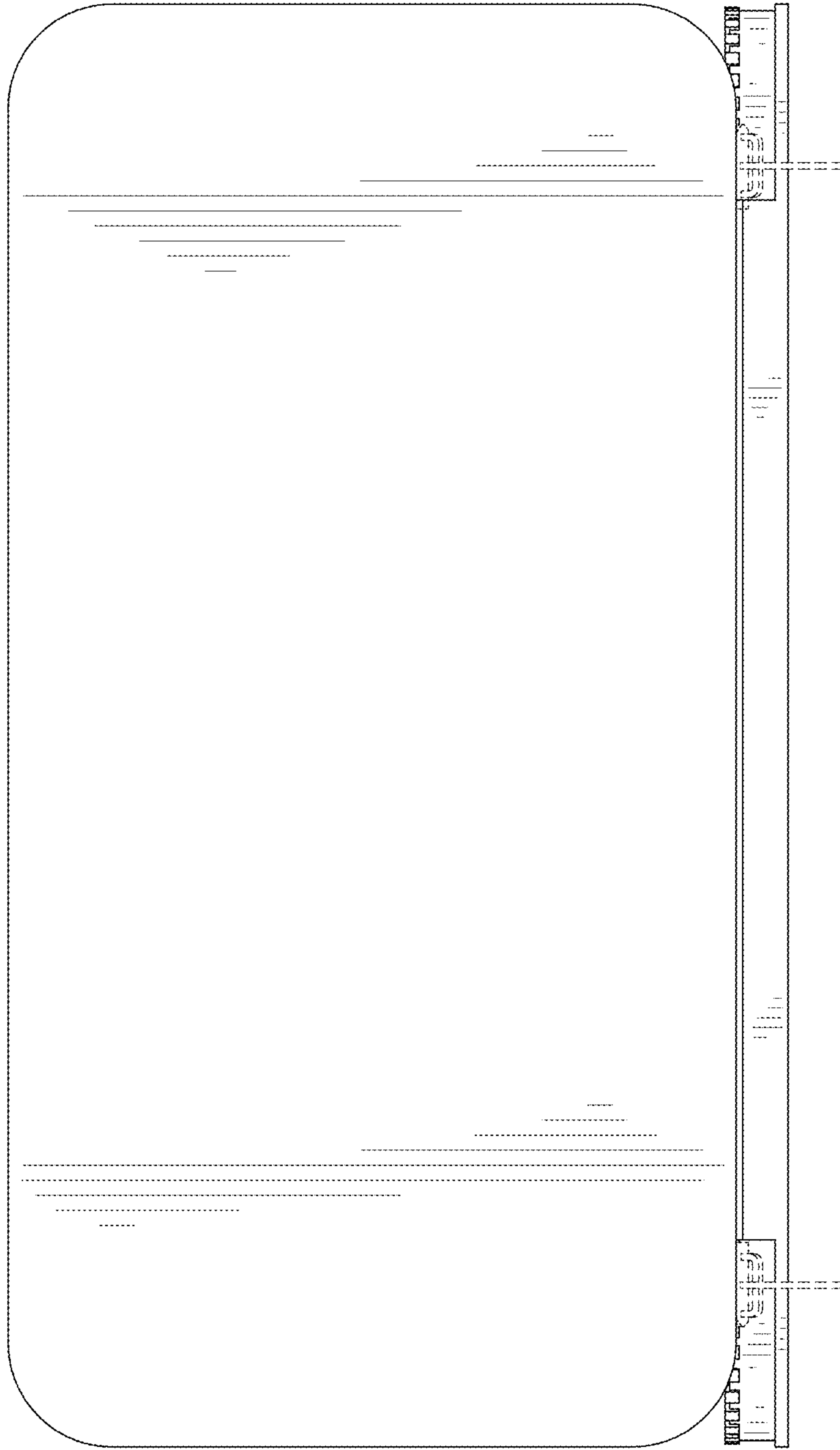


FIG. 8

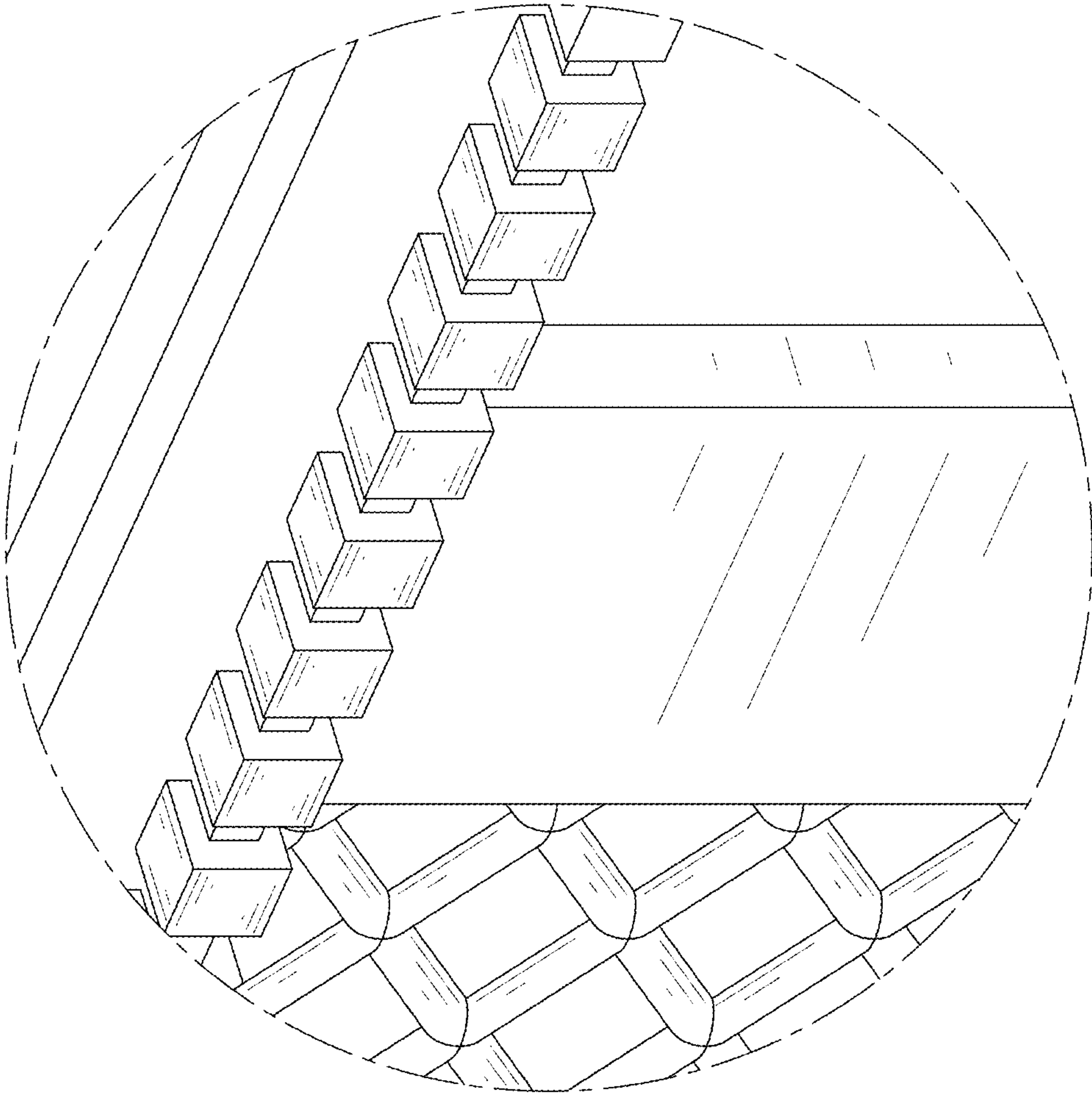


FIG. 9