



US00D879461S

(12) **United States Design Patent** (10) **Patent No.:** **US D879,461 S**
Burts (45) **Date of Patent:** **** Mar. 31, 2020**

(54) **PESSARY BOX**

(71) Applicant: **Janet Burts**, Okanogan, WA (US)

(72) Inventor: **Janet Burts**, Okanogan, WA (US)

(**) Term: **15 Years**

(21) Appl. No.: **29/678,723**

(22) Filed: **Jan. 30, 2019**

(51) **LOC (12) Cl.** **03-01**

(52) **U.S. Cl.**
USPC **D3/203.1**

(58) **Field of Classification Search**
USPC D3/201, 203.1, 203.2, 203.3, 203.5, 205,
D3/273, 294; D9/414, 420, 432
CPC A45C 5/00; A45C 11/00; A45C 11/16;
A45C 13/03; A45C 7/0027; B65D
85/187; B65D 25/04; B65D 25/10; B65D
25/102; B65D 43/02; B65D 43/10; B65D
21/086; B65D 53/00

See application file for complete search history.

(56) **References Cited**

U.S. PATENT DOCUMENTS

D144,278 S *	3/1946	Wohl et al.	D27/189
D269,249 S *	6/1983	Cillario	D9/424
4,454,889 A *	6/1984	Contreras, Sr.	A45C 11/22
			132/301
4,863,034 A *	9/1989	Contreras, Sr.	A45D 40/22
			206/581
D423,772 S *	5/2000	Cooper	D3/201
D425,294 S *	5/2000	Haverstick	D3/203.1
D448,154 S *	9/2001	Mann	D3/203.1
D481,532 S *	11/2003	Sayers	D3/203.1
D483,559 S *	12/2003	Eldon, III	D3/203.1
D487,192 S *	3/2004	Farnham	D3/294
D488,928 S *	4/2004	Foley	D3/283
D494,359 S *	8/2004	Eldon, III	D3/203.5
D510,187 S *	10/2005	Chan	D3/247
D511,039 S *	11/2005	Gerard	D3/263

D512,216 S *	12/2005	Joyce	D3/203.6
D516,801 S *	3/2006	Jones, III	D3/203.2
D523,743 S *	6/2006	Solowiejko	D3/294
D527,182 S *	8/2006	Ham	D3/274
D531,025 S *	10/2006	Tanner	D9/426
D540,035 S *	4/2007	Gerard	D3/263
D548,970 S *	8/2007	Huang	D3/294
D565,298 S *	4/2008	Braun	D3/273
D565,842 S *	4/2008	Falcone	D3/294
D592,399 S *	5/2009	Sage	D3/295
D593,316 S *	6/2009	Ruwiel	D3/203.2

(Continued)

Primary Examiner — Eric L Goodman

Assistant Examiner — Steven J Czyz

(74) *Attorney, Agent, or Firm* — Cozen O'Connor

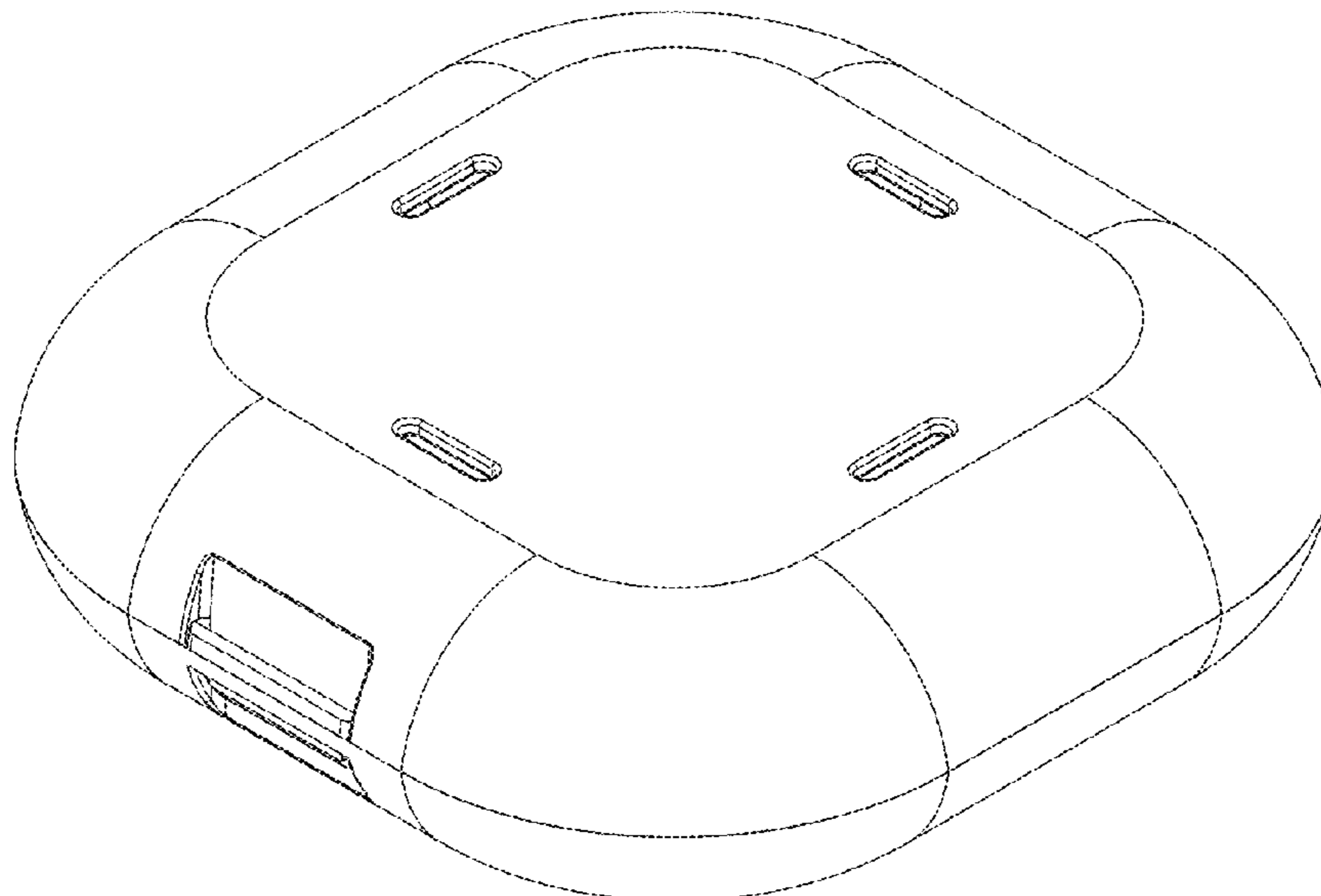
(57) **CLAIM**

The ornamental design for a pessary box, substantially as shown and described.

DESCRIPTION

FIG. 1 is a top perspective view of a pessary box showing my new design in a closed configuration;
 FIG. 2 is a bottom perspective view thereof;
 FIG. 3 is a front view thereof;
 FIG. 4 is a rear view thereof;
 FIG. 5 is a left side view thereof;
 FIG. 6 is a right side view thereof;
 FIG. 7 is a top view thereof;
 FIG. 8 is a bottom view thereof;
 FIG. 9 is a top perspective view of the pessary box in an open configuration;
 FIG. 10 is a bottom perspective view thereof;
 FIG. 11 is a front view of the open configuration;
 FIG. 12 is a rear view of the open configuration;
 FIG. 13 is a left side view of the open configuration;
 FIG. 14 is a right side view of the open configuration;
 FIG. 15 is a top view of the open configuration; and,
 FIG. 16 is a bottom view of the open configuration.

1 Claim, 16 Drawing Sheets



(56)

References Cited

U.S. PATENT DOCUMENTS

D618,240	S	*	6/2010	Larmour	D14/230
D624,316	S	*	9/2010	Ferber	D3/294
D634,115	S	*	3/2011	Long, Jr.	D3/201
D661,897	S	*	6/2012	Kohler	D3/247
D666,811	S	*	9/2012	Yang	D3/247
D672,554	S	*	12/2012	Penttinen	D3/273
D672,660	S	*	12/2012	Vural	D9/721
D672,952	S	*	12/2012	Yang	D3/247
D675,434	S	*	2/2013	Vernall	D3/294
D685,185	S	*	7/2013	Bulzis	D3/266
D693,999	S	*	11/2013	Alexander	D3/203.2
D694,102	S	*	11/2013	Bellamah	D9/424
D706,643	S	*	6/2014	Akana	D9/432
D709,384	S	*	7/2014	Vural	D9/721
D720,526	S	*	1/2015	Lopez-Stout	D3/205
D731,793	S	*	6/2015	Houghton	D3/294
D734,944	S	*	7/2015	Levinson	D3/242
D735,476	S	*	8/2015	Duvigneau	D3/294
D735,991	S	*	8/2015	Brennan	D3/218
D740,653	S	*	10/2015	Akana	D9/418
D772,572	S	*	11/2016	Palmborg	D3/201
D775,818	S	*	1/2017	Ingraham	D3/218
D784,015	S	*	4/2017	Woodhouse	D3/276
D806,388	S	*	1/2018	Akana	D3/294
D806,533	S	*	1/2018	Gruhl	D9/420
D818,268	S	*	5/2018	Akana	D3/294
D832,572	S	*	11/2018	Bae	D3/201
D839,583	S	*	2/2019	Cao	D3/201
D852,506	S	*	7/2019	Clayton	D3/294
D863,677	S	*	10/2019	Chung	D27/172

* cited by examiner

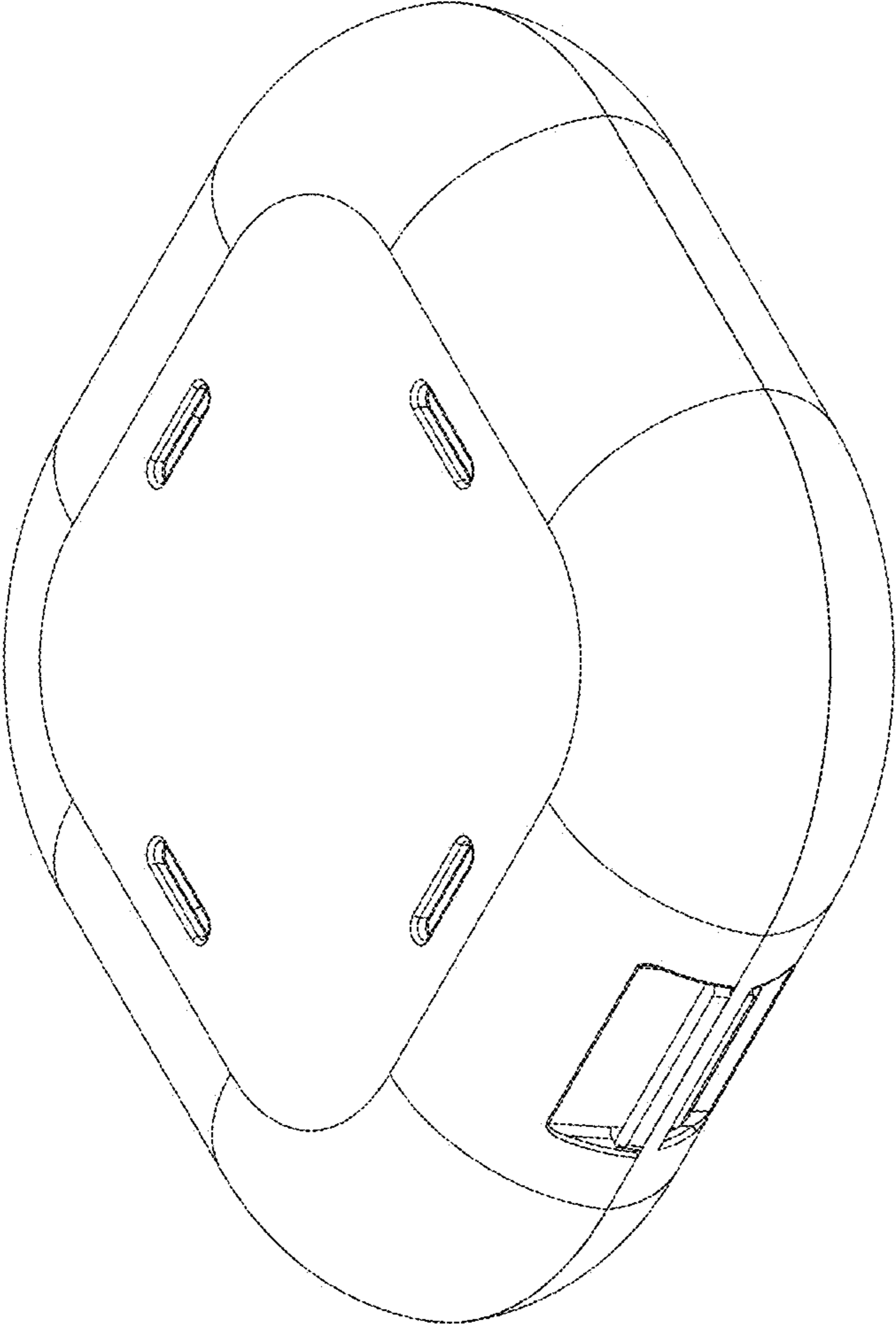


Fig. 1

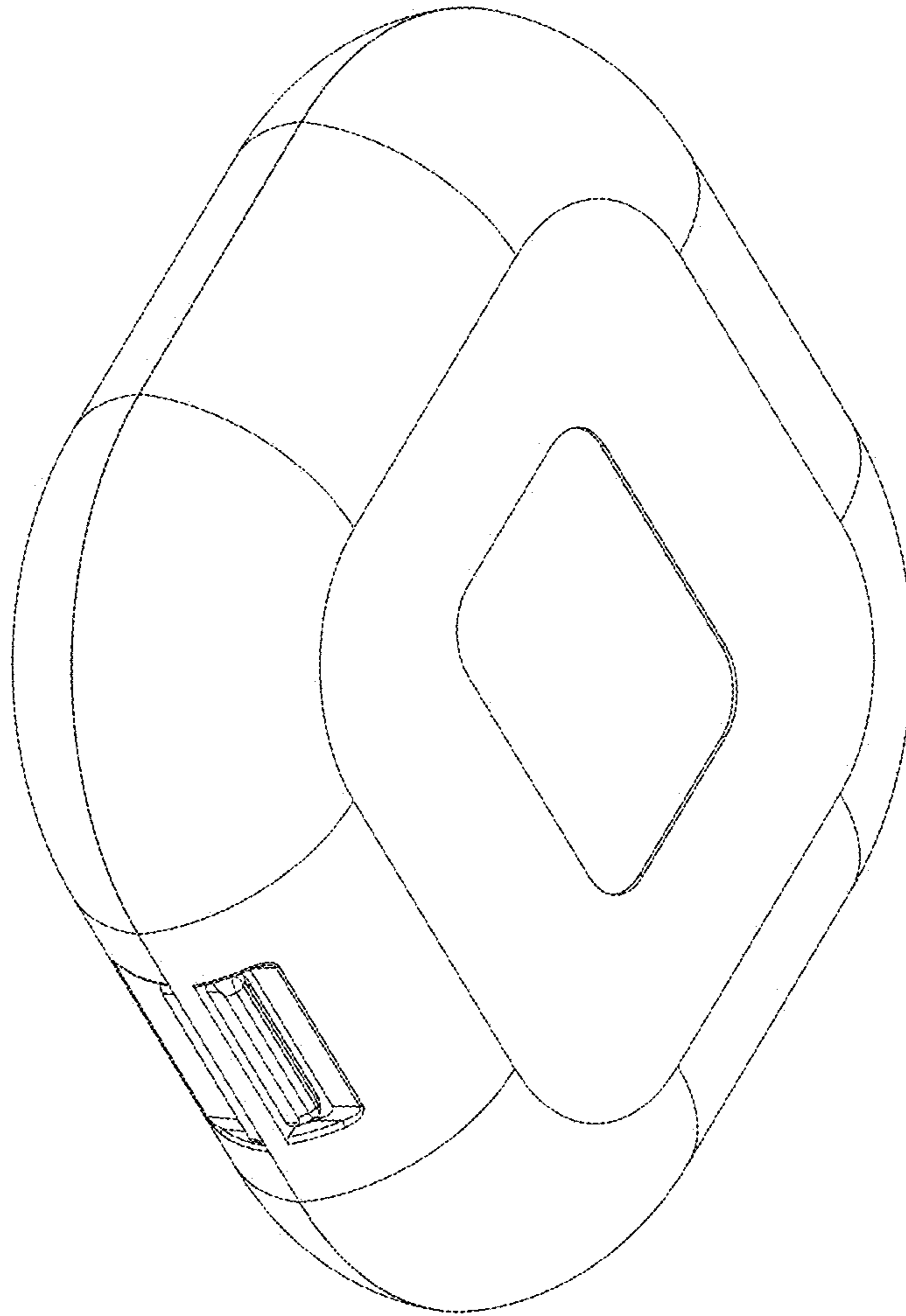


Fig. 2

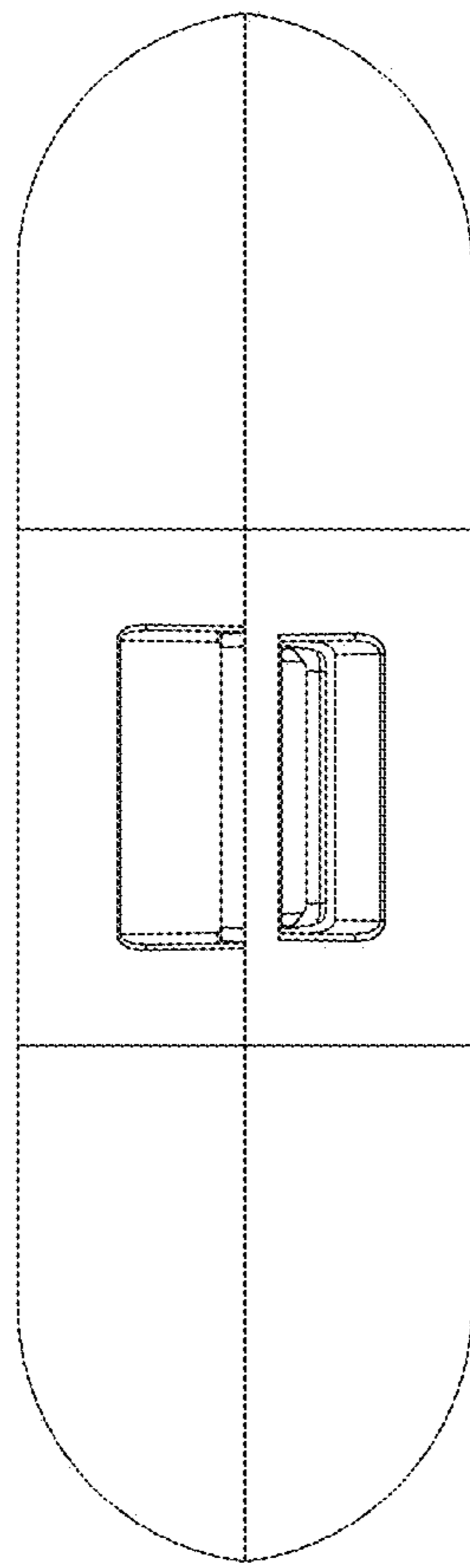


Fig. 3

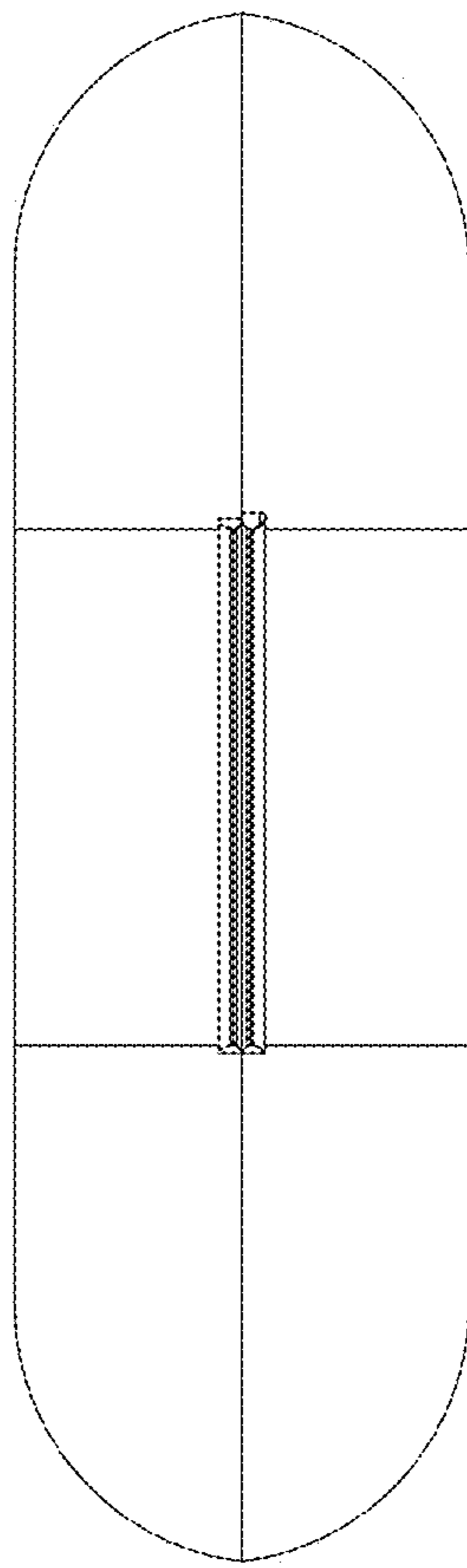


Fig. 4

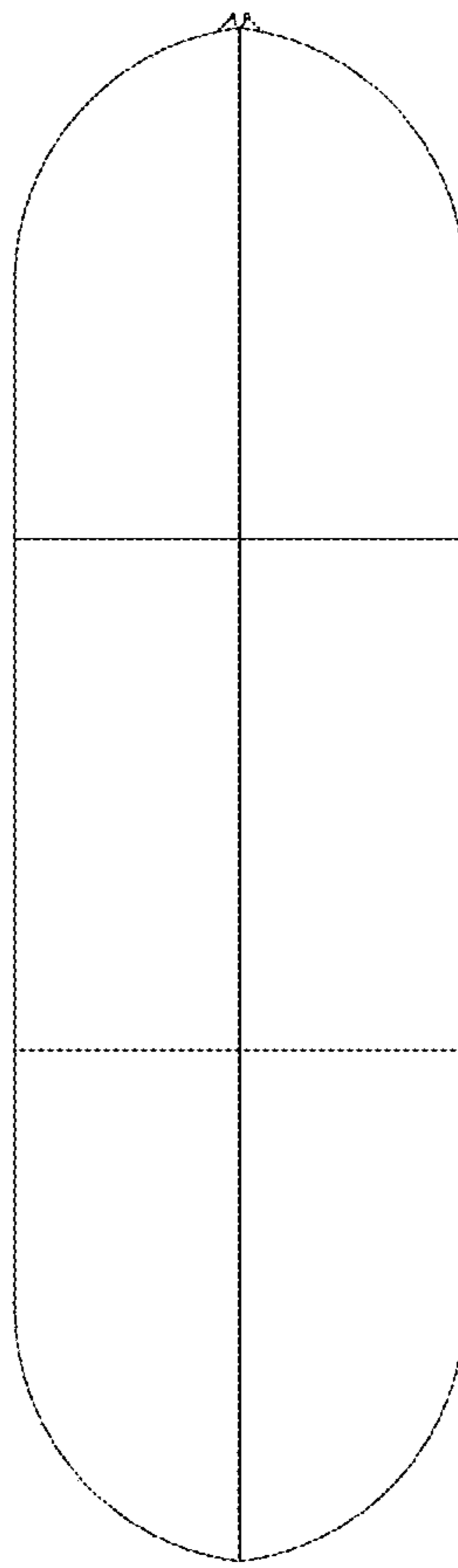


Fig. 5

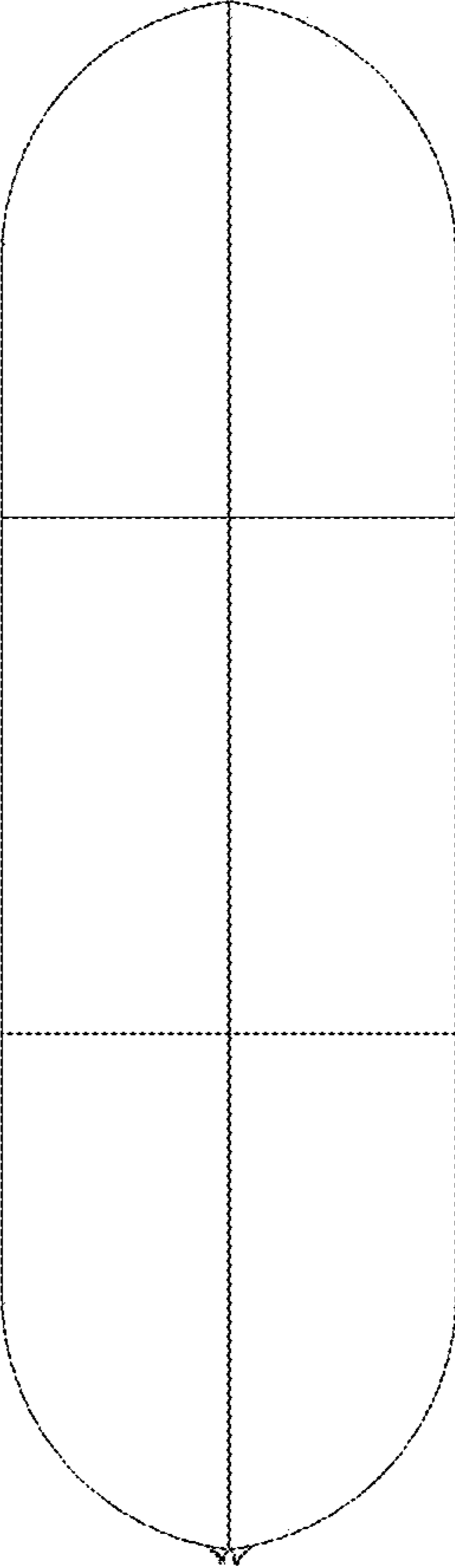


Fig. 6

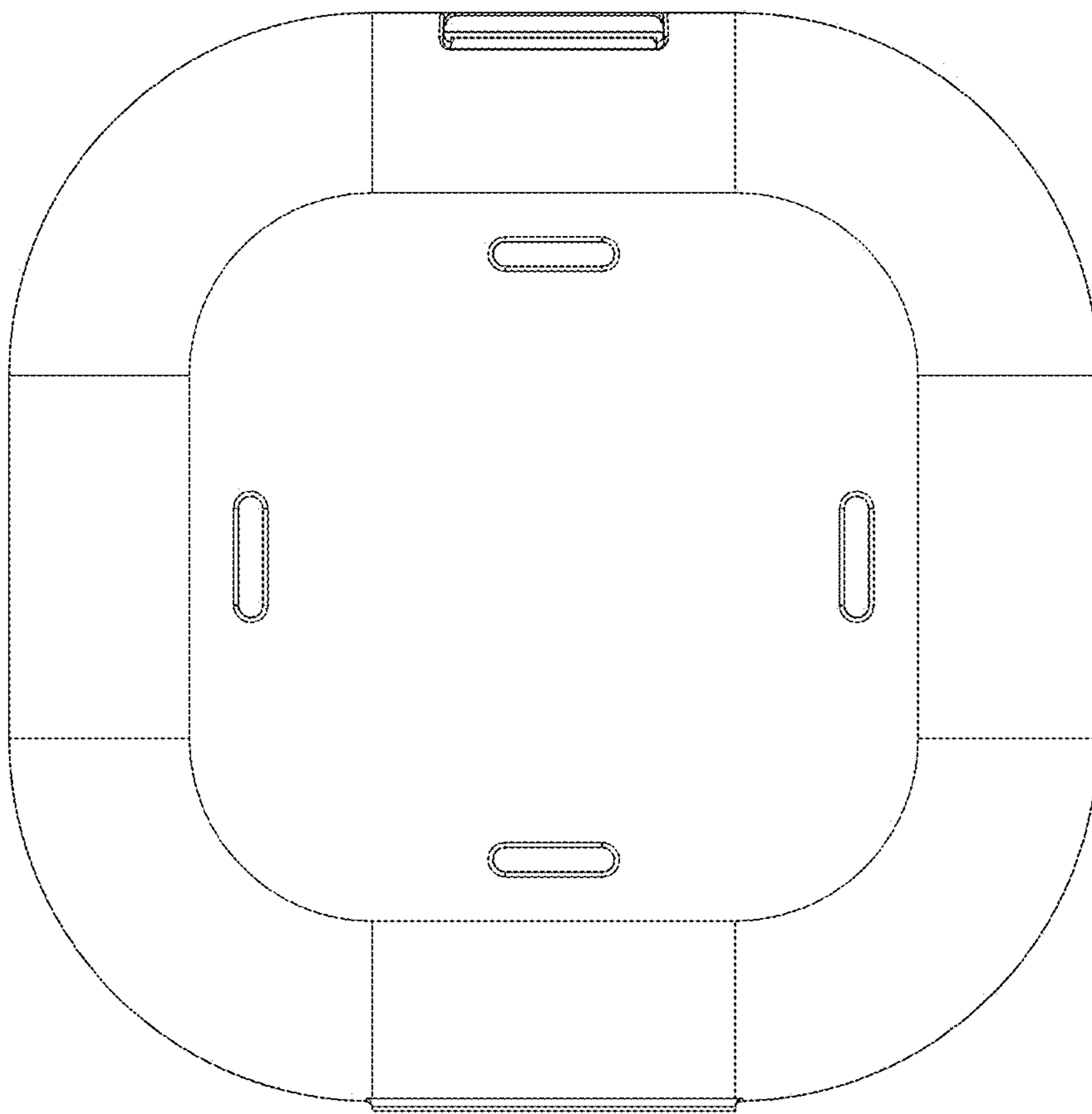


Fig. 7

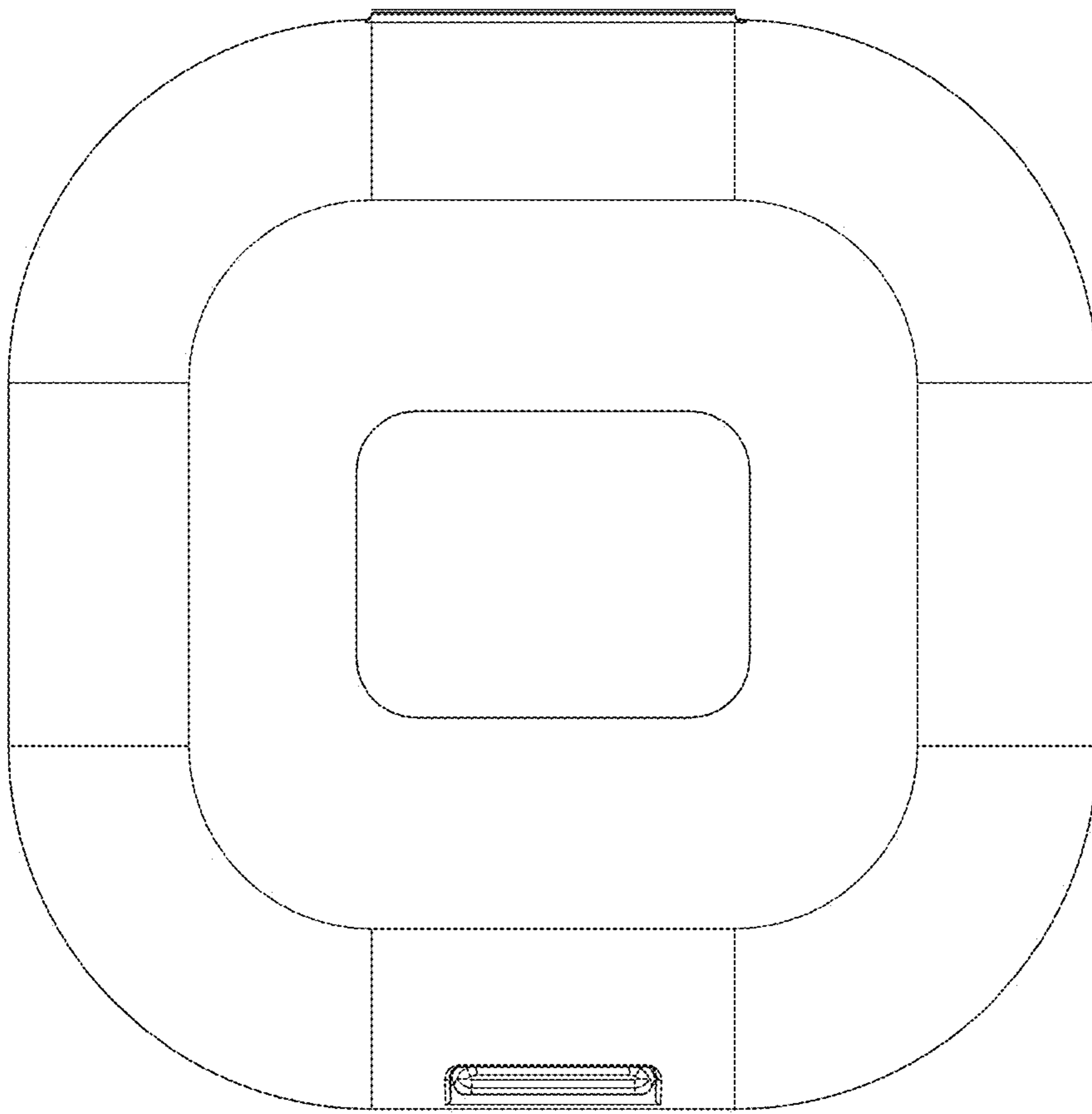


Fig. 8

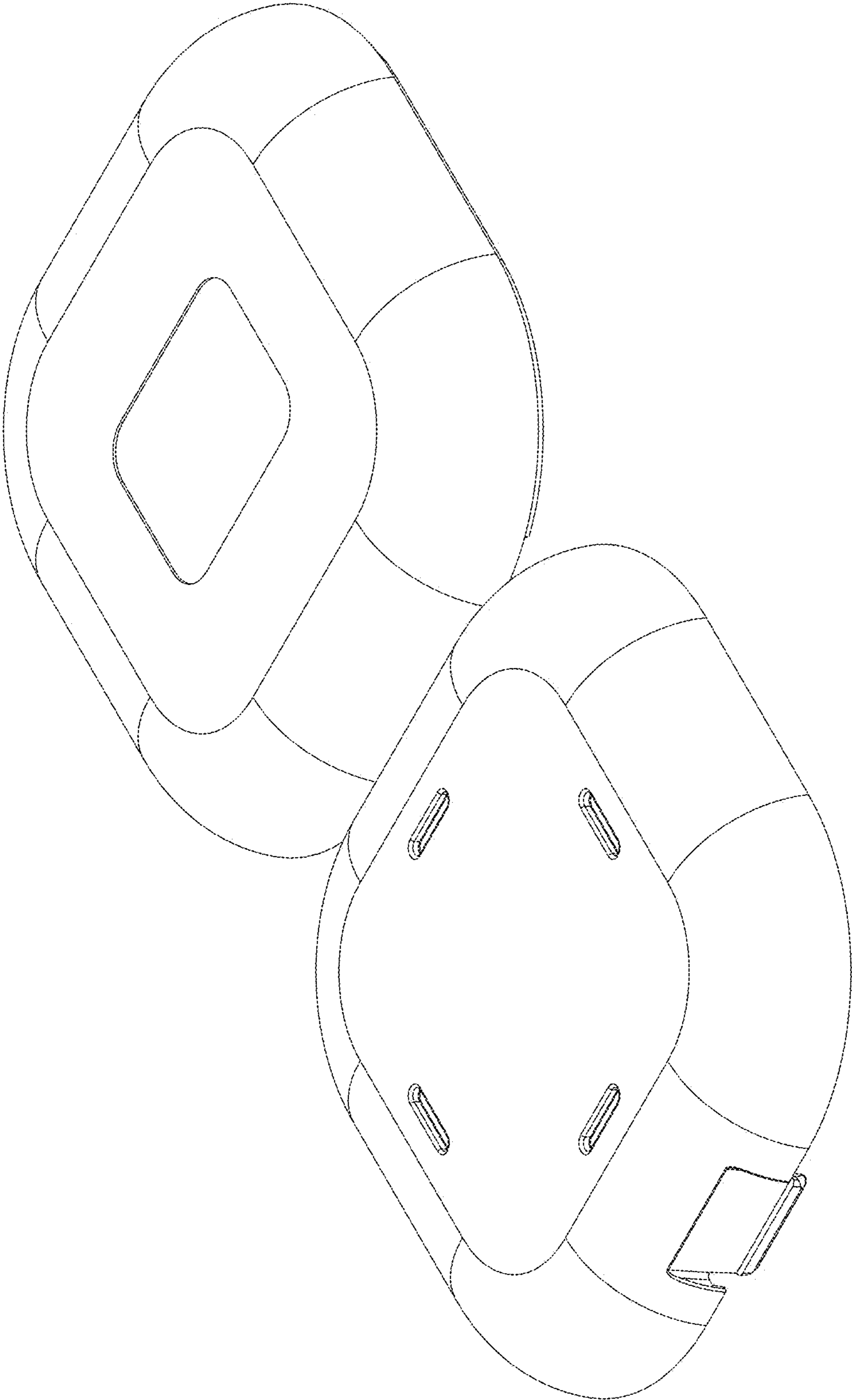


Fig. 9

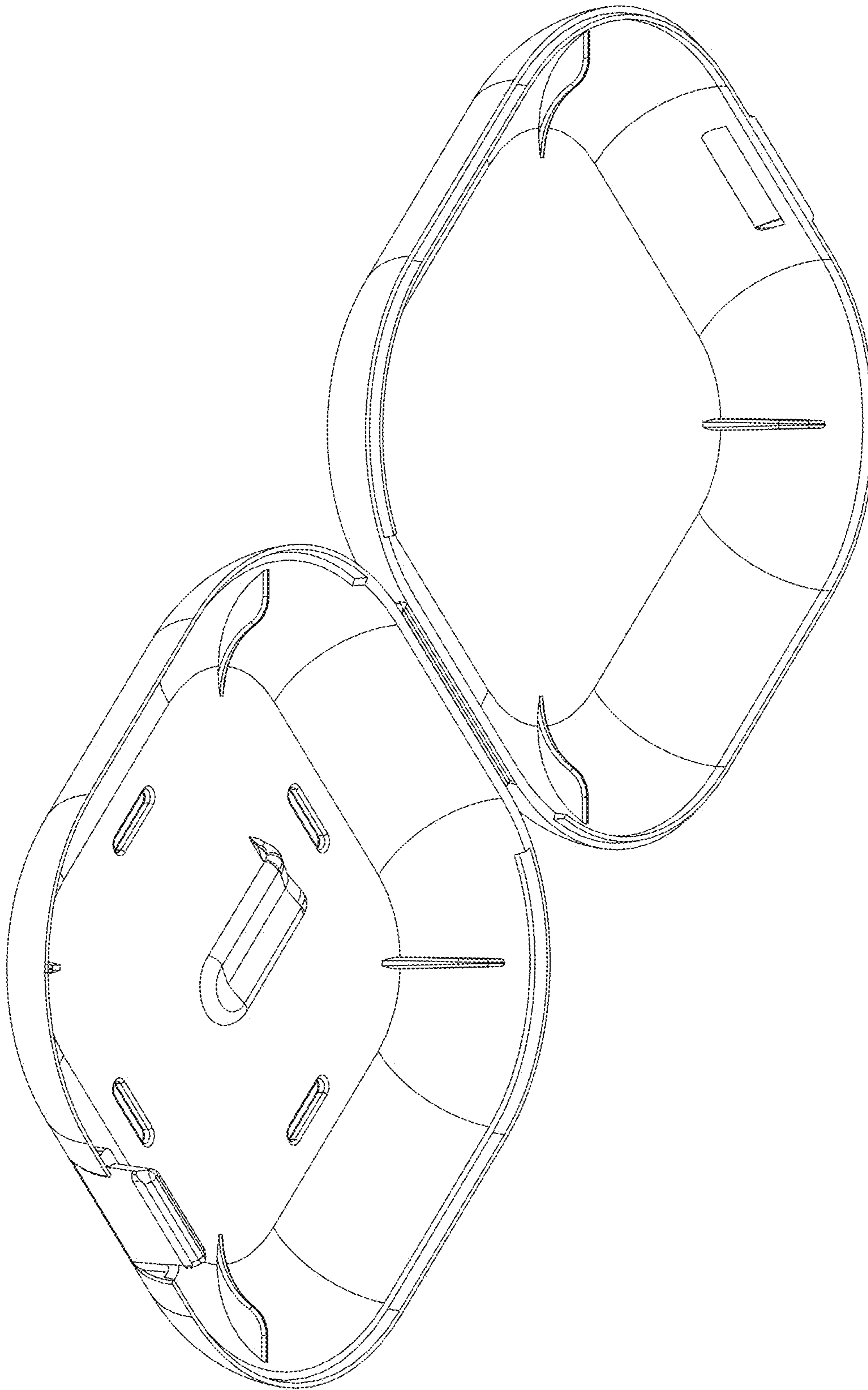


Fig. 10

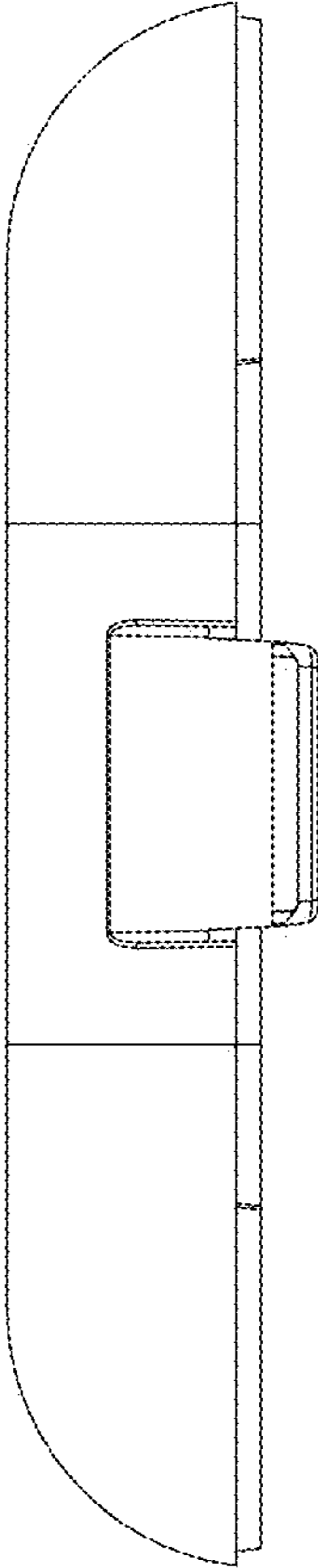


Fig. 11

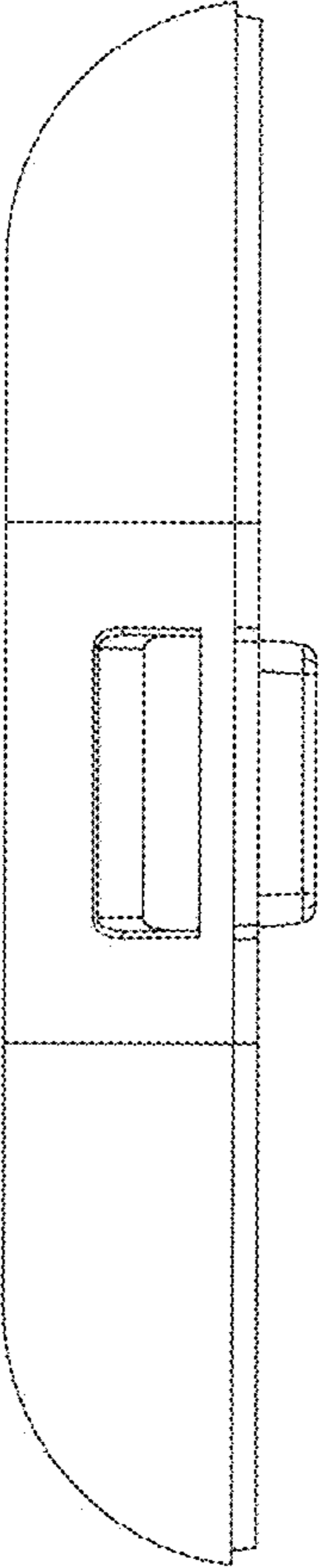


Fig. 12

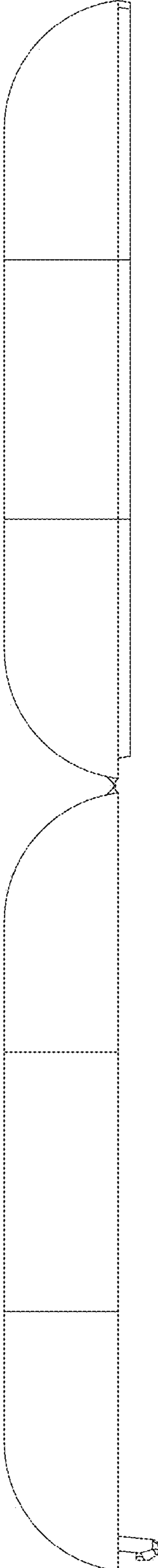


Fig. 13

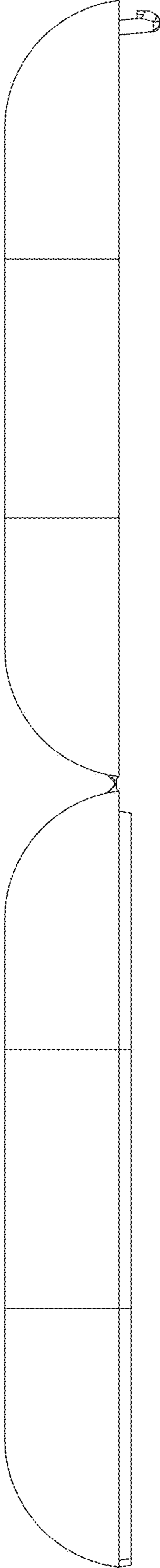


Fig. 14

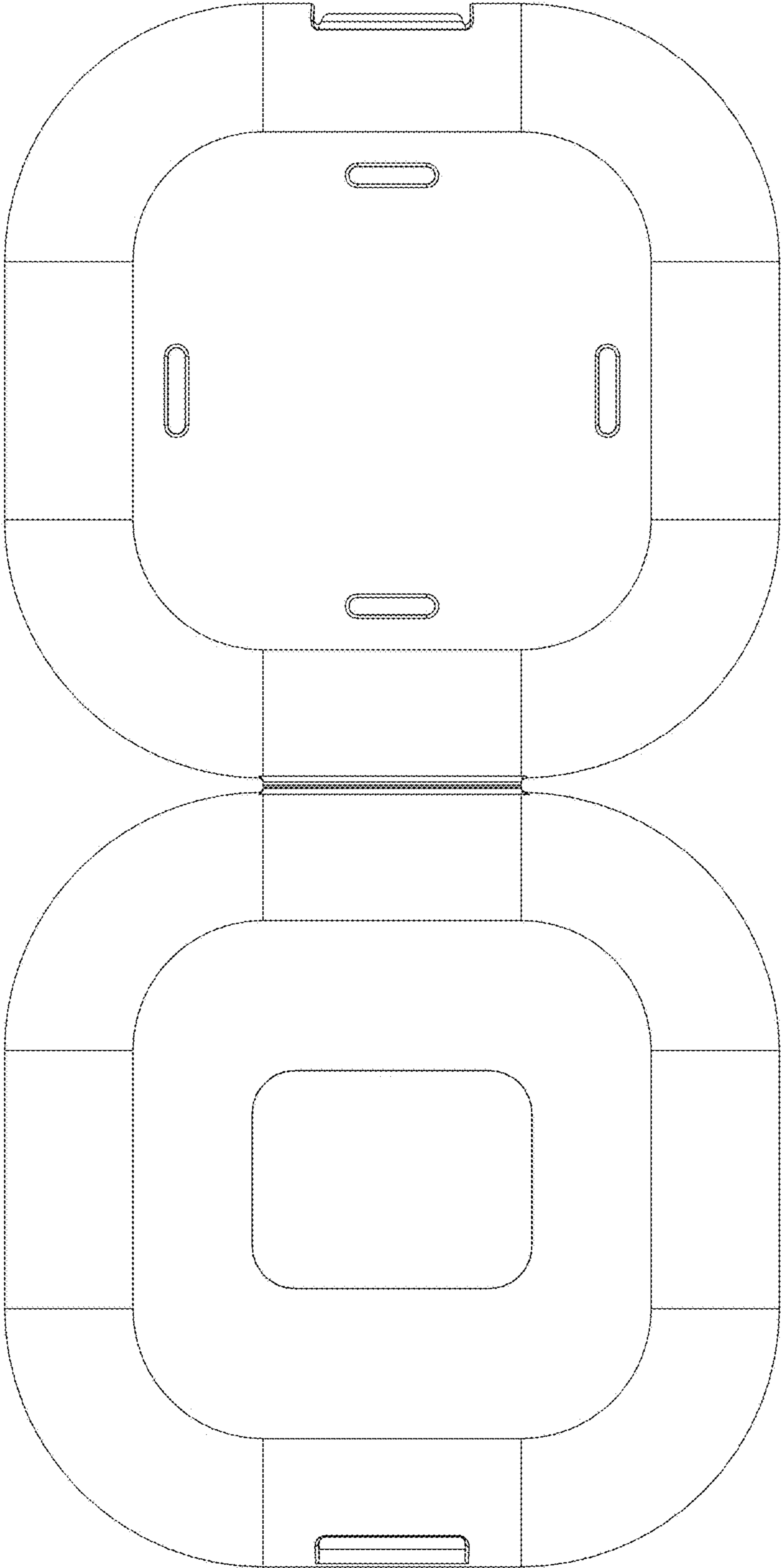


Fig. 15

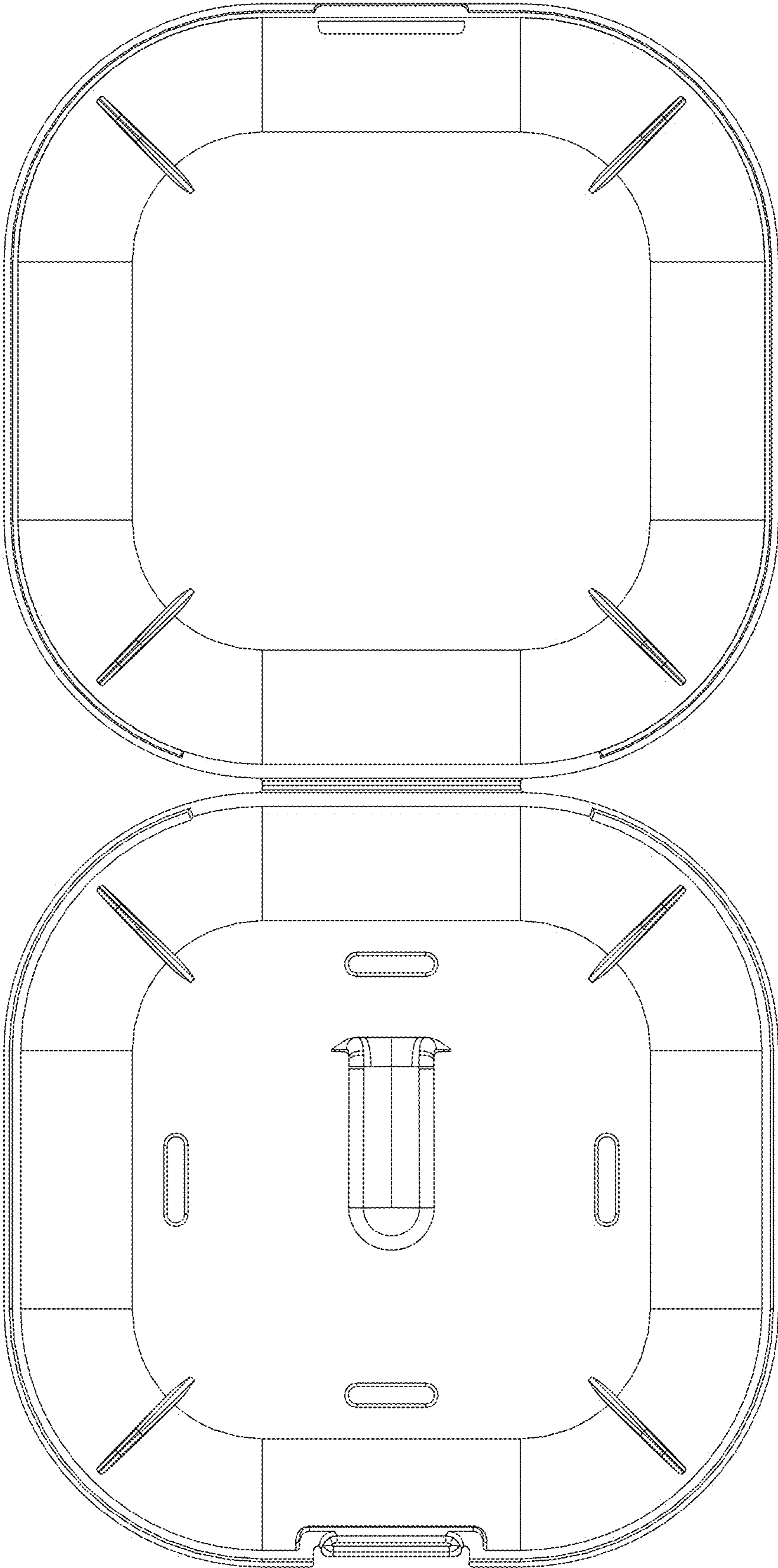


Fig. 16