



US00D879460S

(12) **United States Design Patent**
Liu

(10) **Patent No.:** **US D879,460 S**
(45) **Date of Patent:** **** Mar. 31, 2020**

(54) **UMBRELLA RIB**
(71) Applicant: **Hao-Ming Liu**, Taichung (TW)
(72) Inventor: **Hao-Ming Liu**, Taichung (TW)
(**) Term: **15 Years**
(21) Appl. No.: **29/662,253**
(22) Filed: **Sep. 4, 2018**
(51) **LOC (12) Cl.** **03-03**
(52) **U.S. Cl.**
USPC **D3/10**
(58) **Field of Classification Search**
USPC D3/5, 6, 10
CPC A45B 15/00; A45B 19/00; A45B 19/06;
A45B 23/00; A45B 2023/0068; A45B
25/00; A45B 25/02
See application file for complete search history.

(56) **References Cited**

U.S. PATENT DOCUMENTS

3,244,187 A * 4/1966 Weber A45B 19/04
135/26
3,439,690 A * 4/1969 Weber A45B 19/10
135/26
3,650,284 A * 3/1972 Weber A45B 19/04
135/26
3,746,024 A * 7/1973 Kida A45B 19/10
135/25.33
3,779,260 A * 12/1973 Garay A45B 19/00
135/25.33
3,902,514 A * 9/1975 Weber A45B 19/10
135/25.3
3,921,655 A * 11/1975 Weber A45B 19/10
135/25.1
4,368,749 A * 1/1983 Lindler A45B 25/02
135/15.1
4,420,007 A * 12/1983 Wu A45B 25/02
135/25.3

4,627,455 A * 12/1986 Okuda A45B 25/02
135/25.3
4,633,894 A * 1/1987 Okuda A45B 25/18
135/33.5
4,658,844 A * 4/1987 Ping A45B 19/10
135/25.3
4,880,023 A * 11/1989 Lin A45B 25/02
135/15.1
5,046,518 A * 9/1991 Chang A45B 25/02
135/37
5,048,550 A * 9/1991 Su A45B 19/10
135/25.3
5,050,627 A * 9/1991 Hengtzu A45B 25/02
135/23
5,086,797 A * 2/1992 Earnshaw A45B 17/00
135/20.1

(Continued)

Primary Examiner — Steven J Czyz
(74) *Attorney, Agent, or Firm* — Thomas J. Nikolai;
DeWitt LLP

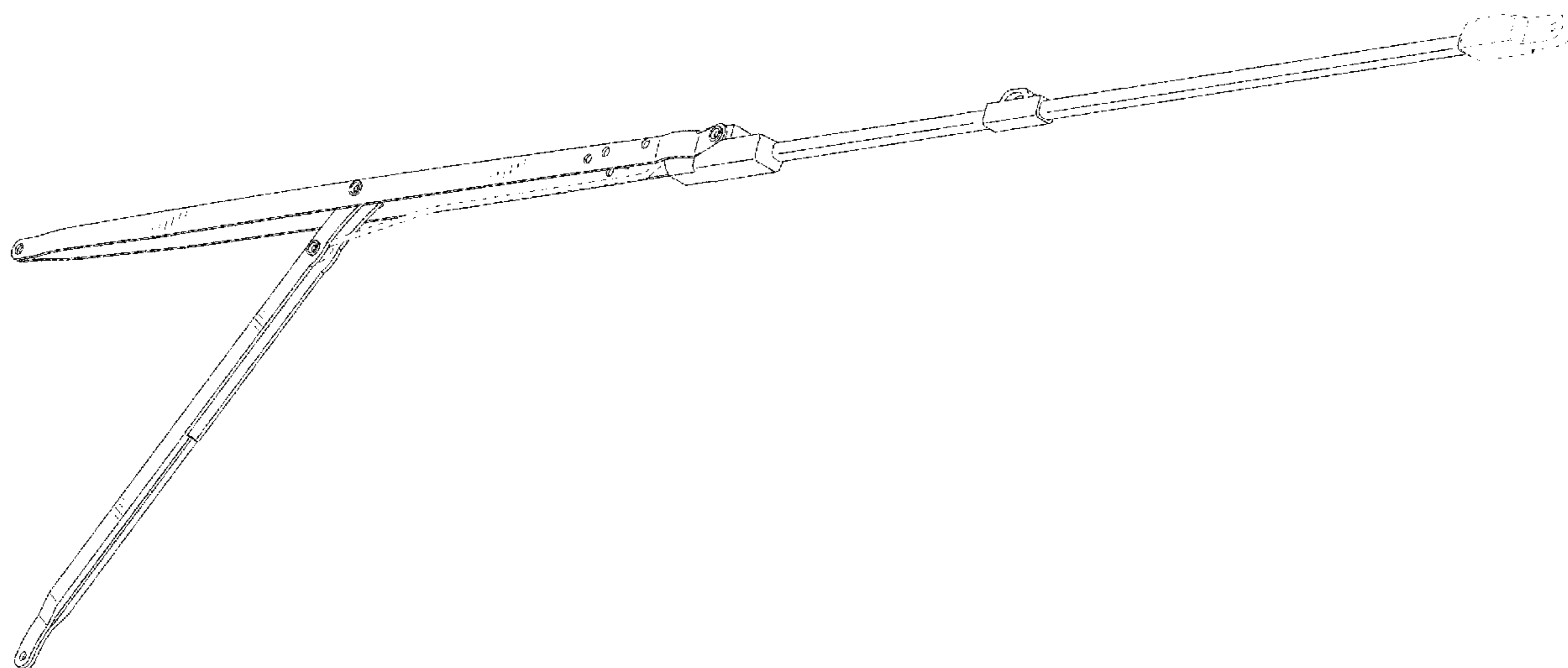
(57) **CLAIM**

The ornamental design for an umbrella rib, as shown and described.

DESCRIPTION

FIG. 1 is a perspective view of an umbrella rib, showing my new design;
FIG. 2 is a front view thereof;
FIG. 3 is a rear view thereof;
FIG. 4 is a left side view thereof;
FIG. 5 is a right side view thereof;
FIG. 6 is a top view thereof;
FIG. 7 is a bottom view thereof;
FIG. 8 is a side view of umbrella rib, shown in an alternate state; and,
FIG. 9 is a perspective view of the umbrella rib shown in use with environment.
The broken lines depict portions of the article and environment that forms no part of the claimed design.

1 Claim, 9 Drawing Sheets



US D879,460 S

Page 2

(56)

References Cited

U.S. PATENT DOCUMENTS

5,121,764 A * 6/1992 Wu A45B 25/22
135/31
5,135,016 A * 8/1992 Stiller A45B 19/10
135/25.3
5,323,801 A * 6/1994 Kuo A45B 19/10
135/29
5,472,006 A * 12/1995 Kuo A45B 19/10
135/25.3
5,551,463 A * 9/1996 Wang A45B 19/10
135/25.3
5,640,984 A * 6/1997 Dubunsky A45B 23/00
135/15.1
5,655,557 A * 8/1997 Martin A45B 23/00
135/15.1
5,829,462 A * 11/1998 Cho A45B 25/16
135/22
D424,799 S * 5/2000 Lai D3/5
6,062,242 A * 5/2000 Lin A45B 25/02
135/31
6,095,169 A * 8/2000 Lin A45B 25/16
135/25.1
6,102,058 A * 8/2000 You A45B 25/02
135/29
6,164,303 A * 12/2000 Lin A45B 19/00
135/25.3
6,167,894 B1 * 1/2001 Lin A45B 25/02
135/15.1
6,209,556 B1 * 4/2001 Yu A45B 25/00
135/15.1
6,296,001 B1 * 10/2001 Lin A45B 19/10
135/25.1
6,314,976 B1 * 11/2001 Clarke A45B 23/00
135/28
6,397,866 B1 * 6/2002 You A45B 25/02
135/20.3
6,588,439 B2 * 7/2003 Wu A45B 19/10
135/27
D484,680 S * 1/2004 You D3/10
6,715,504 B2 * 4/2004 Chen A45B 25/02
135/23

D489,169 S * 5/2004 You D3/10
D489,170 S * 5/2004 You D3/10
6,789,556 B2 * 9/2004 You A45B 19/10
135/29
6,834,659 B2 * 12/2004 Liu A45B 19/10
135/25.3
6,920,887 B2 * 7/2005 Lo A45B 19/10
135/29
6,923,193 B2 * 8/2005 Chen A45B 23/00
135/20.1
D515,803 S * 2/2006 You D3/10
7,011,100 B2 * 3/2006 Wu A45B 11/00
135/16
7,174,906 B2 * 2/2007 Ko A45B 19/12
135/25.3
7,318,444 B2 * 1/2008 Clarke A45B 25/06
135/28
D587,448 S * 3/2009 You D3/10
7,527,063 B1 * 5/2009 Chen A45B 25/22
135/27
7,591,274 B2 * 9/2009 Lin A45B 25/02
135/15.1
D637,388 S * 5/2011 You D3/10
D650,984 S * 12/2011 Pineda D3/10
8,230,869 B2 * 7/2012 Vanderminden, Sr.
A45B 19/00
135/15.1
8,607,808 B1 * 12/2013 You A45B 25/22
135/25.33
9,060,575 B2 * 6/2015 Chien A45B 25/02
9,516,934 B2 * 12/2016 Frost A45B 25/18
9,629,426 B1 * 4/2017 Dai A45B 19/10
9,642,422 B2 * 5/2017 Haller A45B 25/02
9,788,617 B1 * 10/2017 Chen A45B 25/02
9,839,268 B2 * 12/2017 Chen A45B 25/02
9,844,250 B1 * 12/2017 Wu A45B 25/02
D822,981 S * 7/2018 You D3/10
D824,160 S * 7/2018 You D3/10
10,098,425 B2 * 10/2018 Haller A45B 25/02
2003/0010367 A1 * 1/2003 Ko A45B 25/02
135/32

* cited by examiner

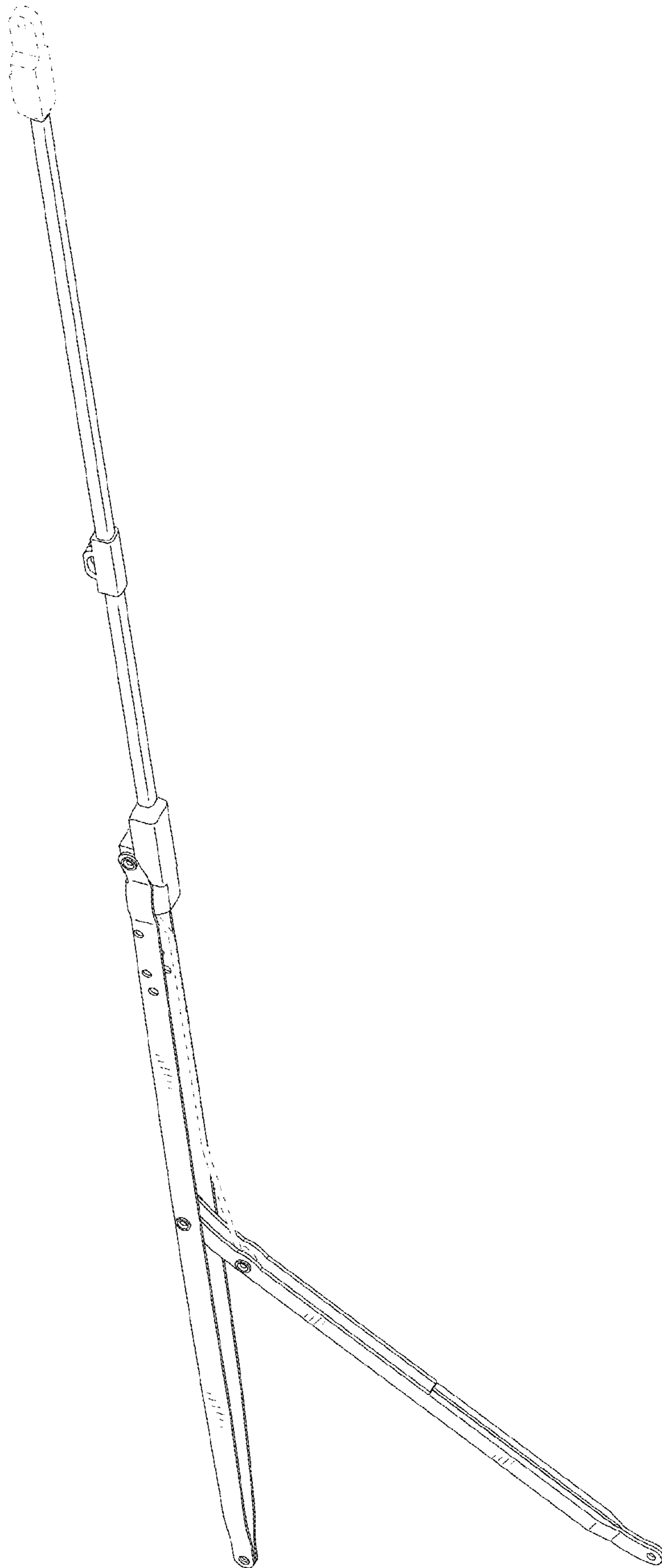


FIG.1

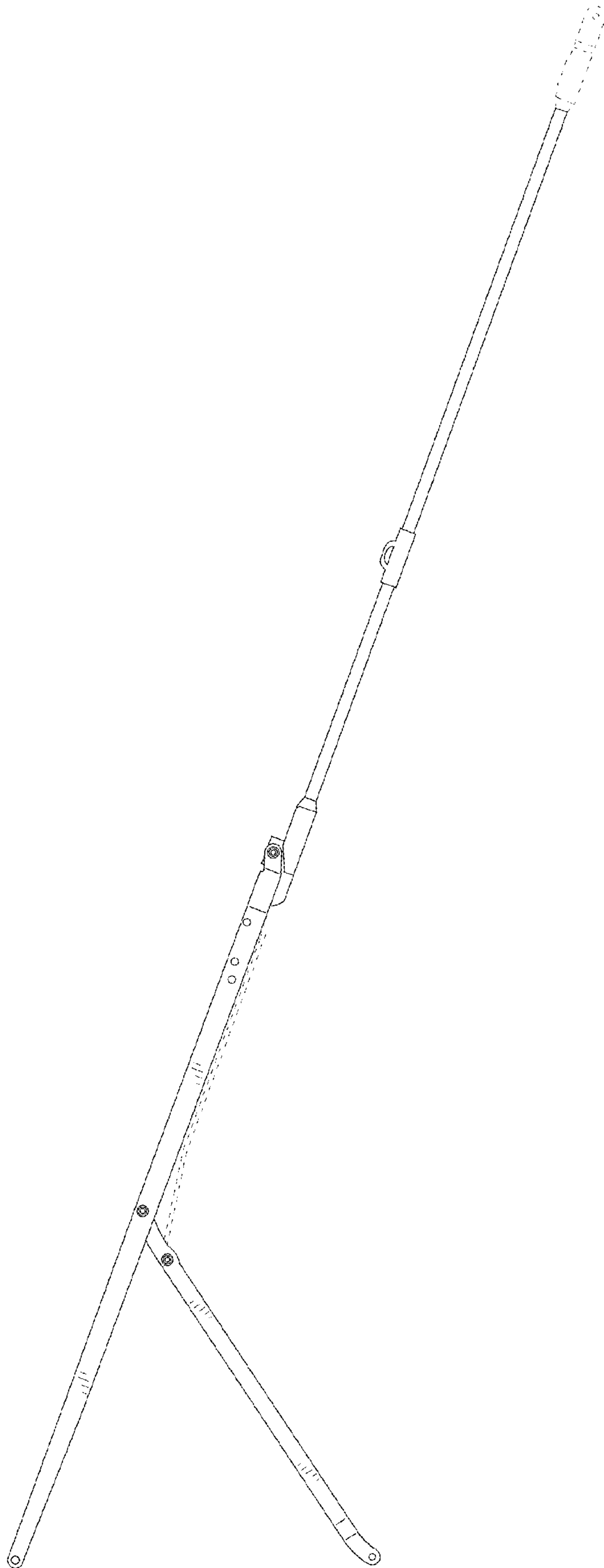


FIG.2

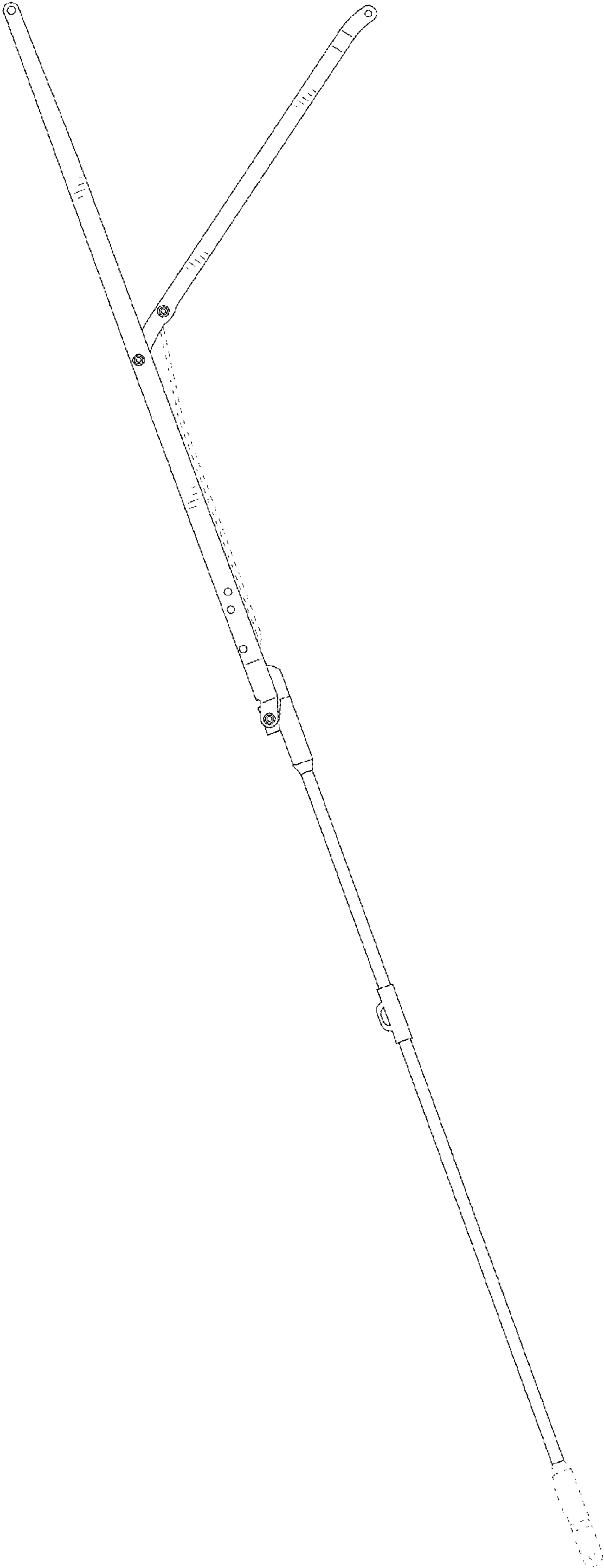


FIG.3

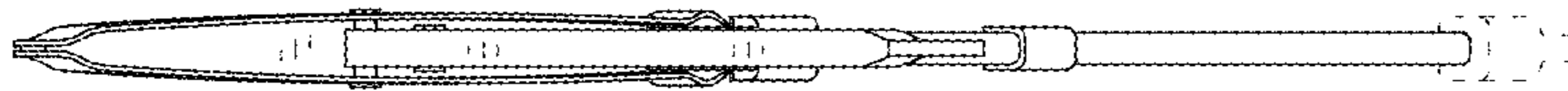


FIG.4

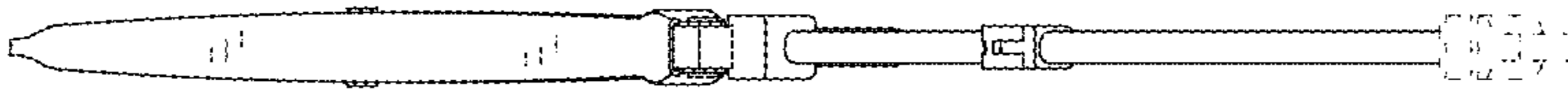


FIG. 5

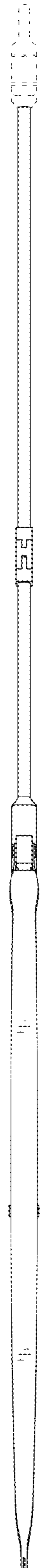


FIG.6

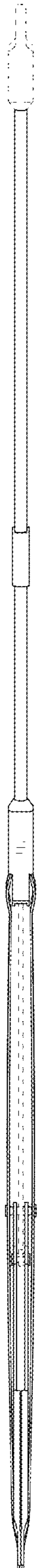


FIG.7

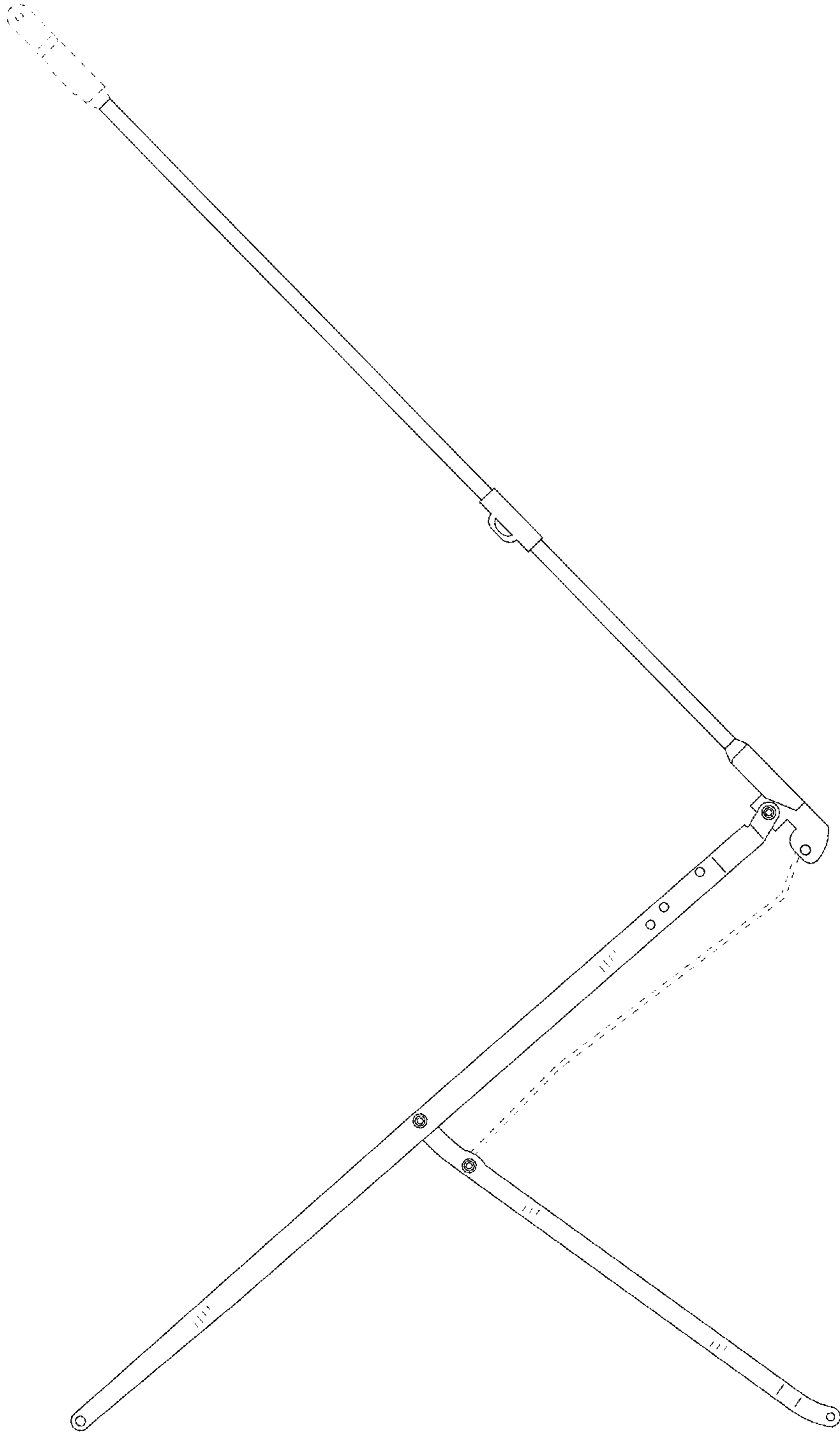


FIG.8

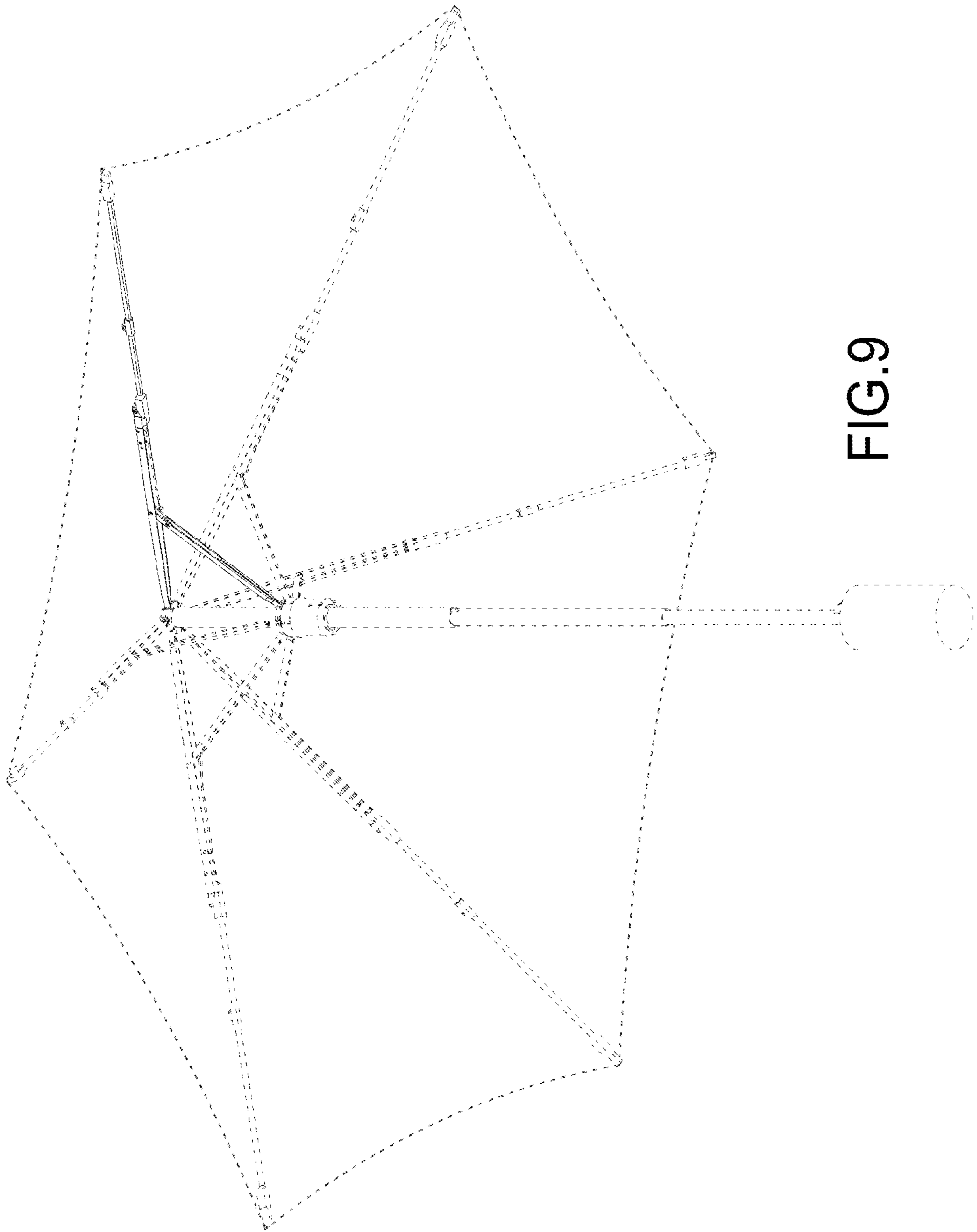


FIG. 9