

US00D879443S

(12) **United States Design Patent**
Fridgen

(10) **Patent No.:** **US D879,443 S**
(45) **Date of Patent:** **** Mar. 31, 2020**

(54) **MID-SOLE CLEAT**
(71) Applicant: **Sure Foot Corporation**, Grand Forks,
ND (US)
(72) Inventor: **Timothy P. Fridgen**, East Grand Forks,
MN (US)

2,006,802 A * 7/1935 Goodman A43C 15/063
36/7.7
2,045,066 A * 6/1936 Bower A43B 23/227
36/59 R
2,179,178 A * 11/1939 Farlin A43C 15/065
36/64

(73) Assignee: **Sure Foot Corporation**, Grand Forks,
ND (US)

(Continued)

(**) Term: **15 Years**

Primary Examiner — Elizabeth J Oswecki
(74) *Attorney, Agent, or Firm* — Brian M. Kaufman;
Robert D. Atkins; Patent Law Group: Atkins and
Associates, P.C.

(21) Appl. No.: **29/657,177**

(57) **CLAIM**

(22) Filed: **Jul. 19, 2018**

The ornamental design for a mid-sole cleat, as shown and
described.

(51) **LOC (12) Cl.** **02-04**

(52) **U.S. Cl.**
USPC **D2/962**

DESCRIPTION

(58) **Field of Classification Search**
USPC D2/962, 624, 627, 629, 946, 906, 954,
D2/947, 951, 960, 959; D21/768, 771;
D12/604, 608; D15/24; 36/113, 83, 114,
36/7.6, 64, 124, 132, 59 R, 62, 66, 65,
36/67 A, 134, 7.7
CPC A43C 15/068; A43C 15/09; A43C 15/06;
A43C 15/066; A43C 15/061; A43C
15/10; A43C 15/063; A43C 15/02; A43C
15/065; A43C 15/161; A43C 11/00; A43C
13/04; A43C 13/003; A43C 13/26; A43C
19/00; A43C 7/00; A43B 5/02; A43B
5/0423

FIG. 1 is a bottom perspective view of first embodiment of
a mid-sole cleat, showing my new design;
FIG. 2 is a top perspective view thereof;
FIG. 3 is a back view thereof;
FIG. 4 is a front view thereof;
FIG. 5 is a right side view thereof;
FIG. 6 is a left side view thereof;
FIG. 7 is a top view thereof;
FIG. 8 is a bottom view thereof;
FIG. 9 is a bottom perspective view of second embodiment
of a mid-sole cleat, showing my new design, with the
unclaimed portions omitted to show detail;
FIG. 10 is a top perspective view thereof;
FIG. 11 is a back view thereof;
FIG. 12 is a front view thereof;
FIG. 13 is a right side view thereof;
FIG. 14 is a left side view thereof;
FIG. 15 is a top view thereof; and,
FIG. 16 is a bottom view thereof.

See application file for complete search history.

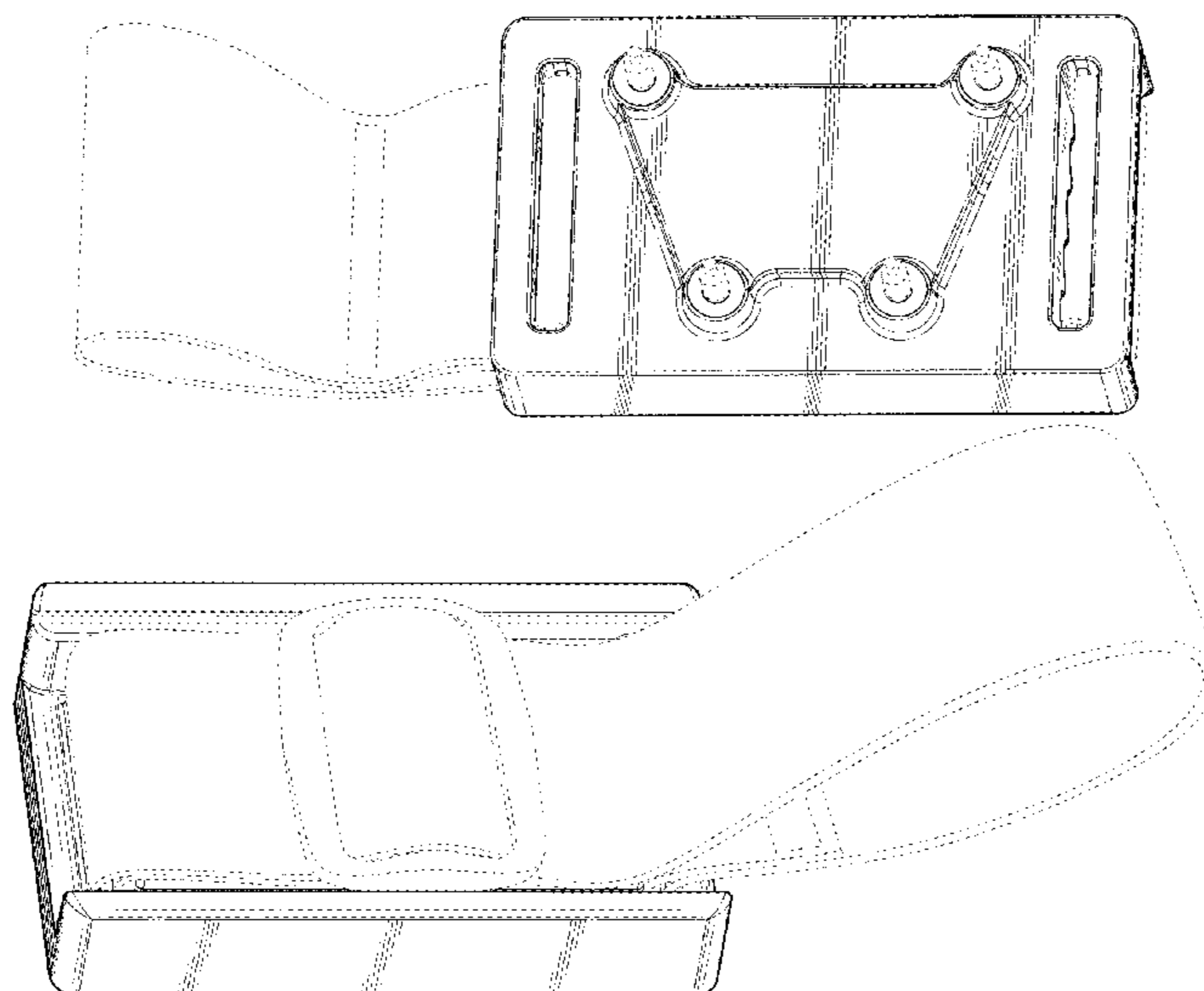
The dashed lines show various portions and other elements
in the Figures for the purpose of illustrating unclaimed
portions and form no part of the claimed design.

(56) **References Cited**

U.S. PATENT DOCUMENTS

36,866 A * 11/1862 Star A43C 15/063
36/62
156,094 A * 10/1874 Lemmon A43C 15/063
36/62
905,510 A * 12/1908 Frautschi A43C 15/063
36/62

1 Claim, 9 Drawing Sheets



(56)

References Cited

U.S. PATENT DOCUMENTS

2,208,200 A * 7/1940 Sloan A43C 15/065
36/62

2,296,660 A * 9/1942 Bowman A43C 15/063
36/62

2,313,316 A * 3/1943 Block A43C 15/065
36/62

2,366,649 A * 1/1945 Priess A43C 15/063
36/62

2,401,891 A * 6/1946 Smith A43C 15/065
36/62

2,438,193 A * 3/1948 Smith A43C 15/02
36/7.7

2,636,175 A * 4/1953 Hoffman, Jr. A41D 27/136
2/55

2,658,289 A * 11/1953 Schrieber A43C 15/063
36/59 R

3,691,659 A * 9/1972 Nakajima A43C 15/063
36/7.6

4,005,533 A * 2/1977 Anderson A43C 15/065
36/62

D262,157 S * 12/1981 Kinchen D2/962

D336,559 S * 6/1993 Carmichael D2/962

5,485,687 A * 1/1996 Rohde A43C 15/02
36/59 R

8,371,045 B2 * 2/2013 Tambay A43C 15/09
36/113

D790,172 S * 6/2017 Hatfield D2/947

D807,005 S 1/2018 Savio et al.

D831,320 S * 10/2018 Savio D2/962

10,357,418 B1 * 7/2019 Little A61H 1/02

2007/0283596 A1 * 12/2007 Park A43C 15/063
36/62

2008/0189987 A1 * 8/2008 Geisser A43C 15/09
36/114

* cited by examiner

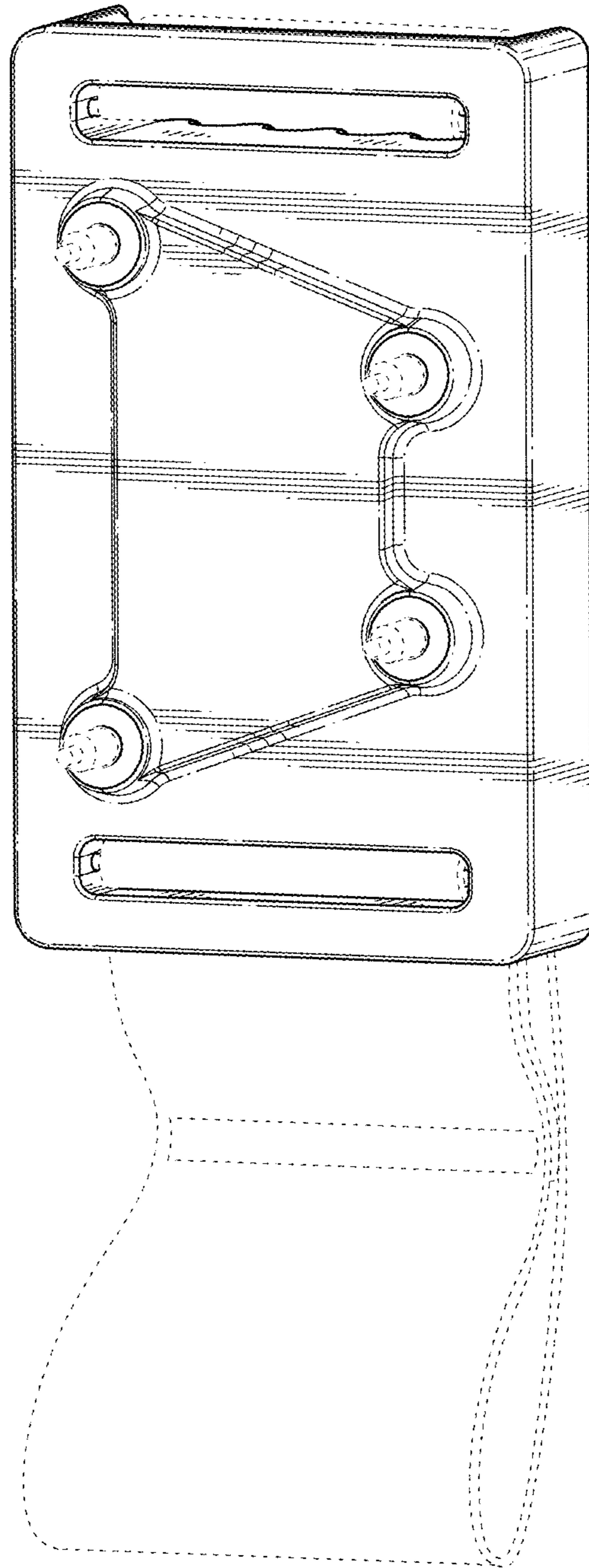


FIG. 1

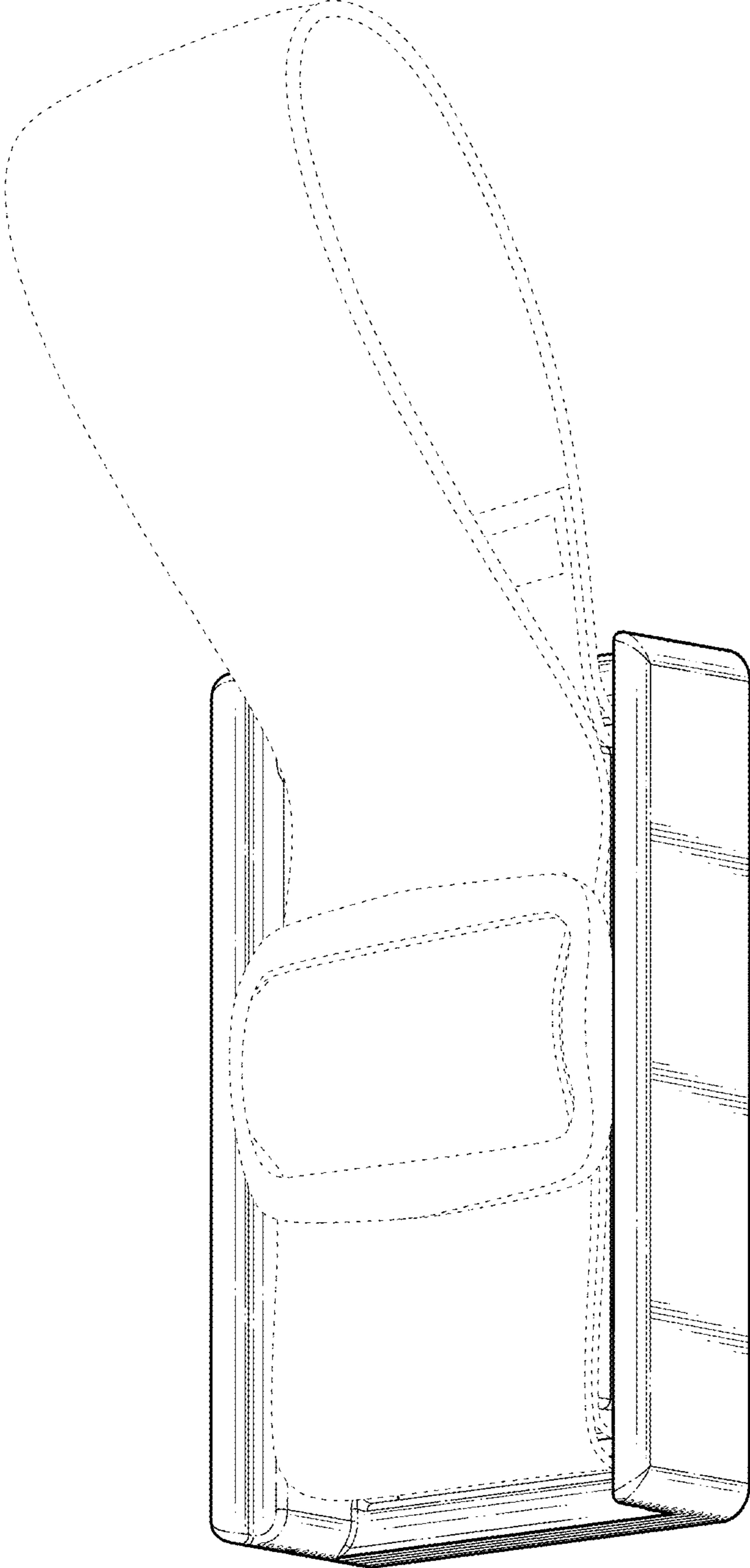


FIG. 2

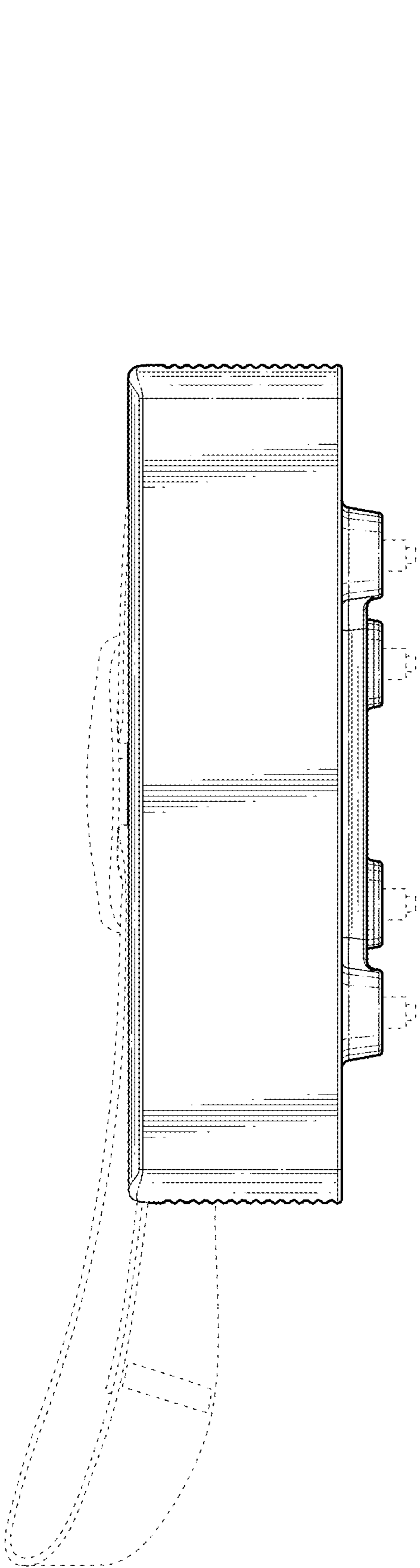


FIG. 3

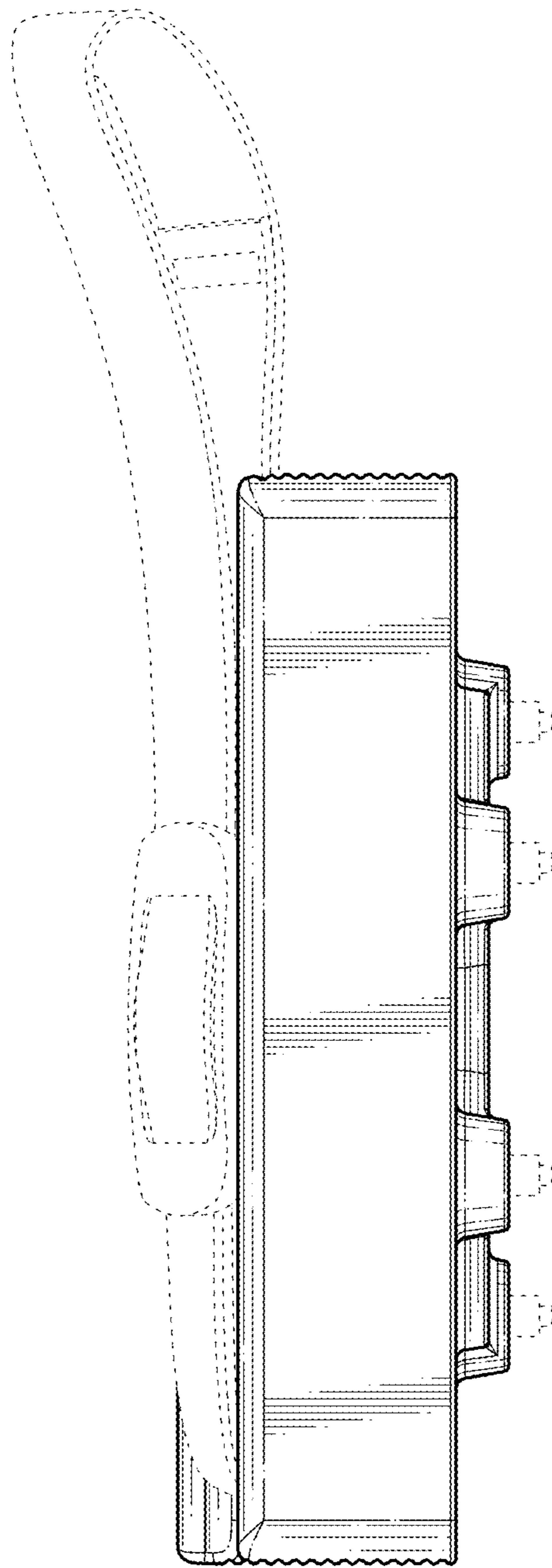


FIG. 4

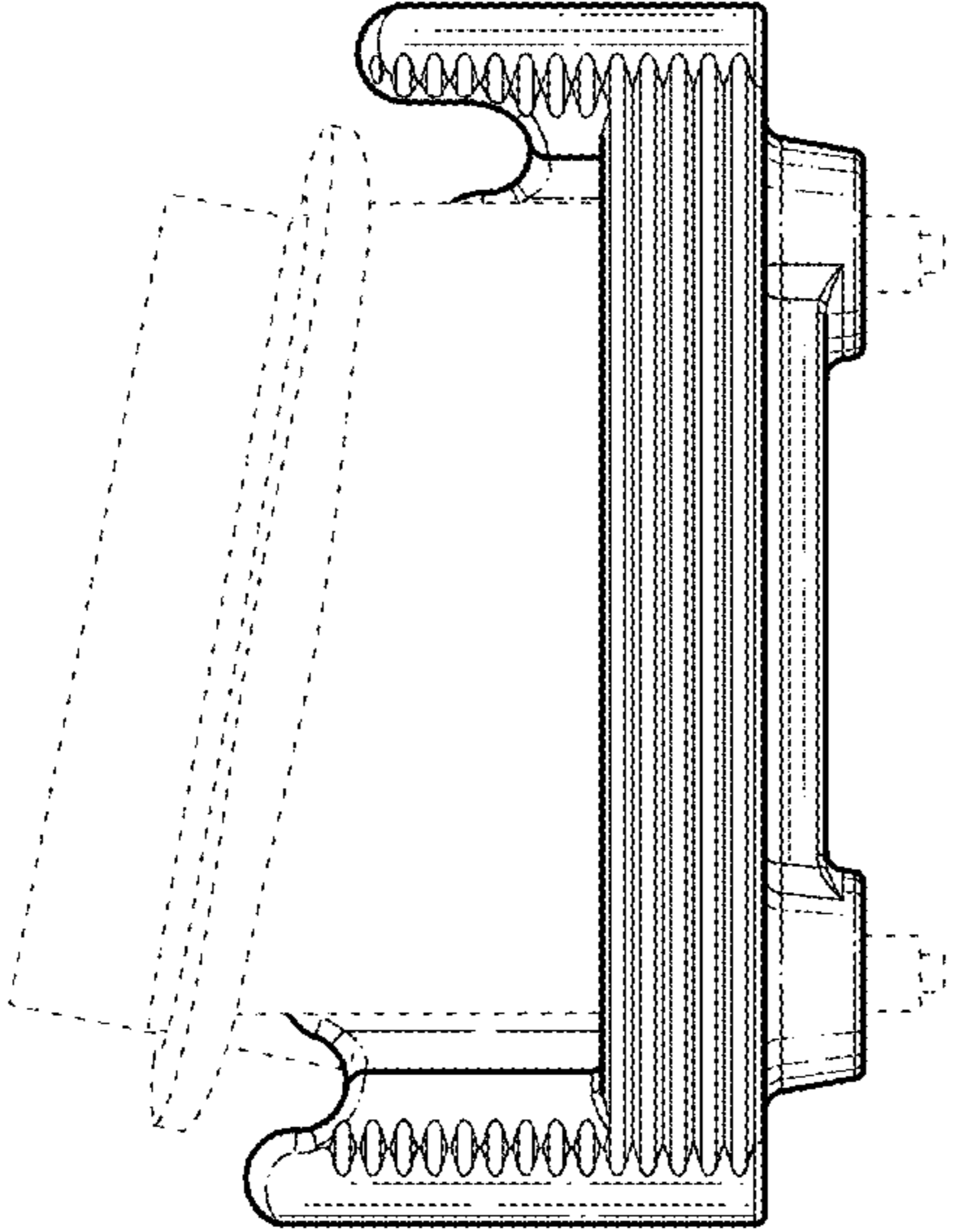


FIG. 5

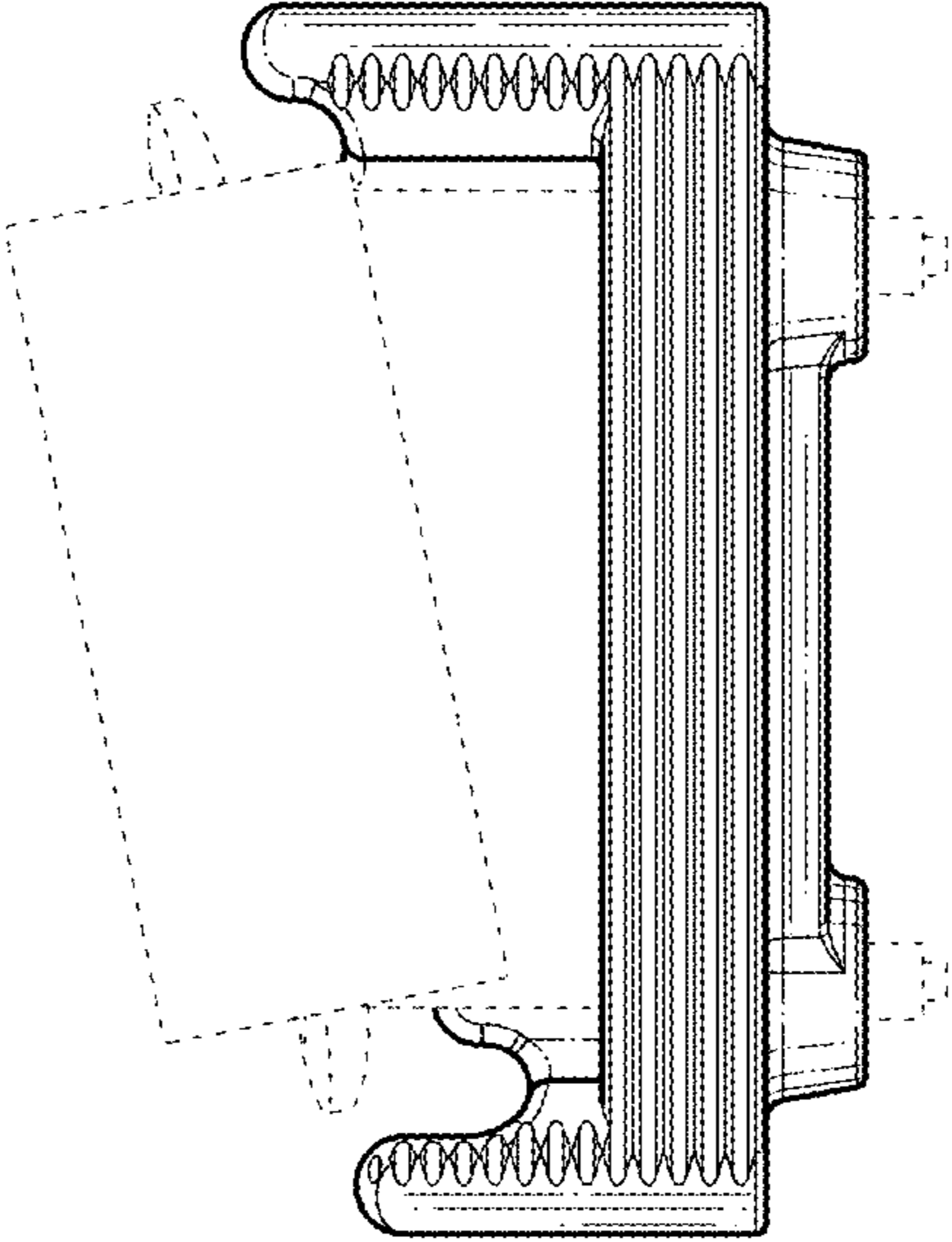


FIG. 6

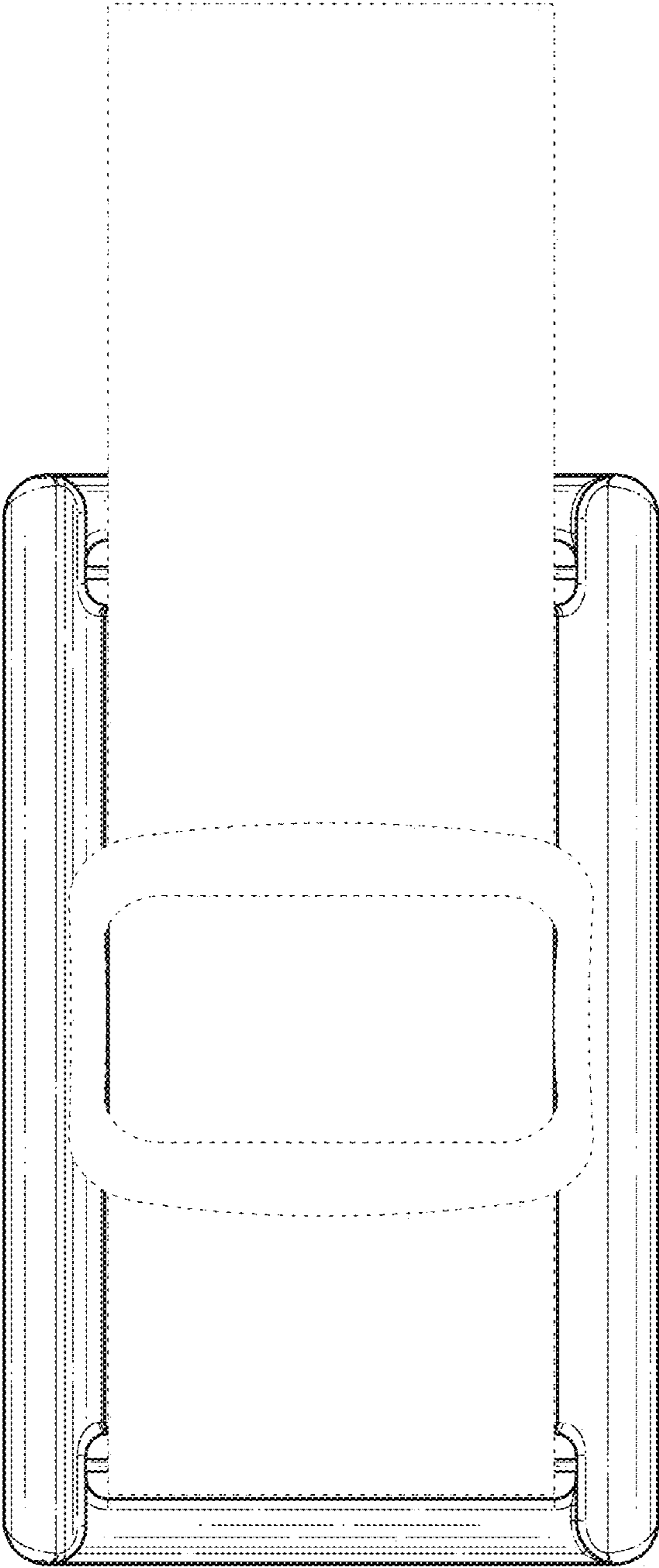


FIG. 7

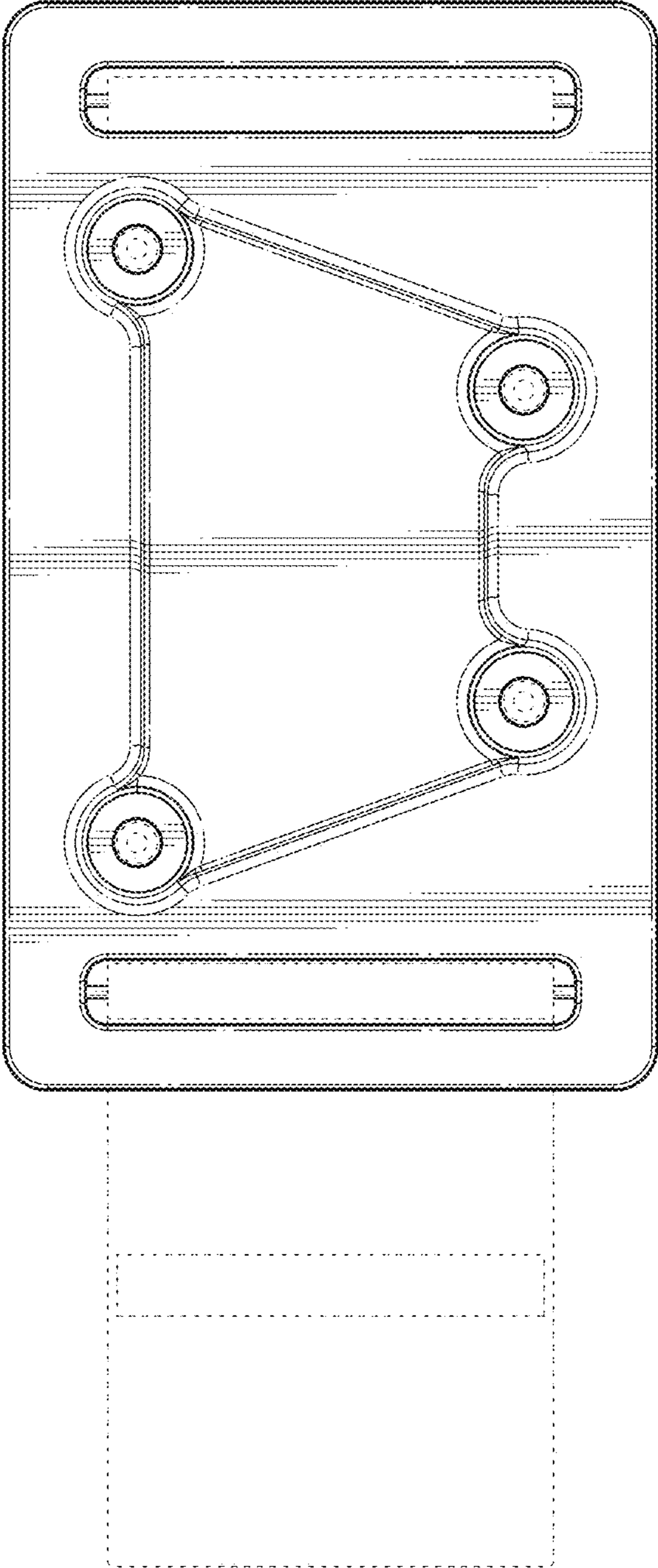


FIG. 8

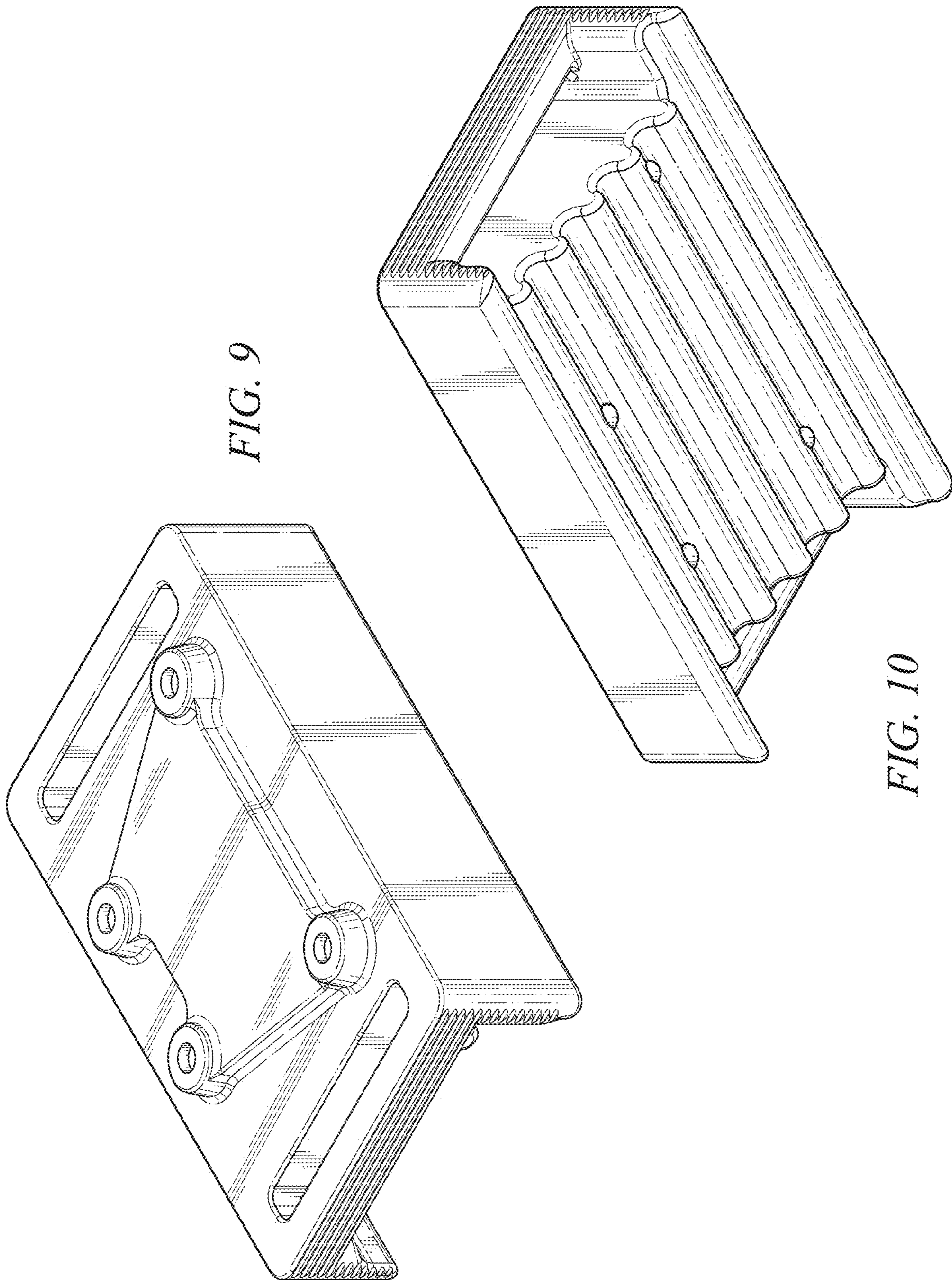


FIG. 9

FIG. 10

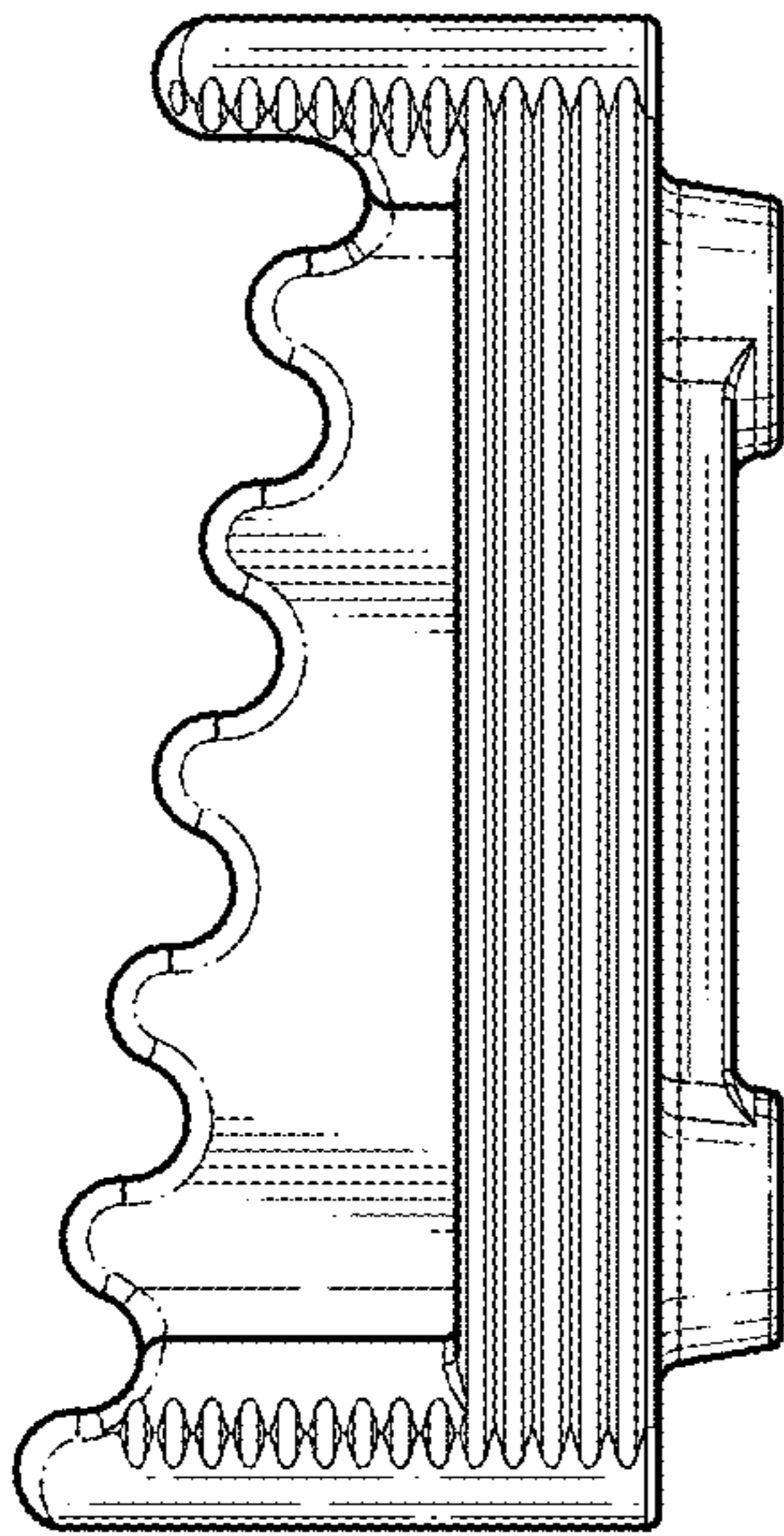


FIG. 12

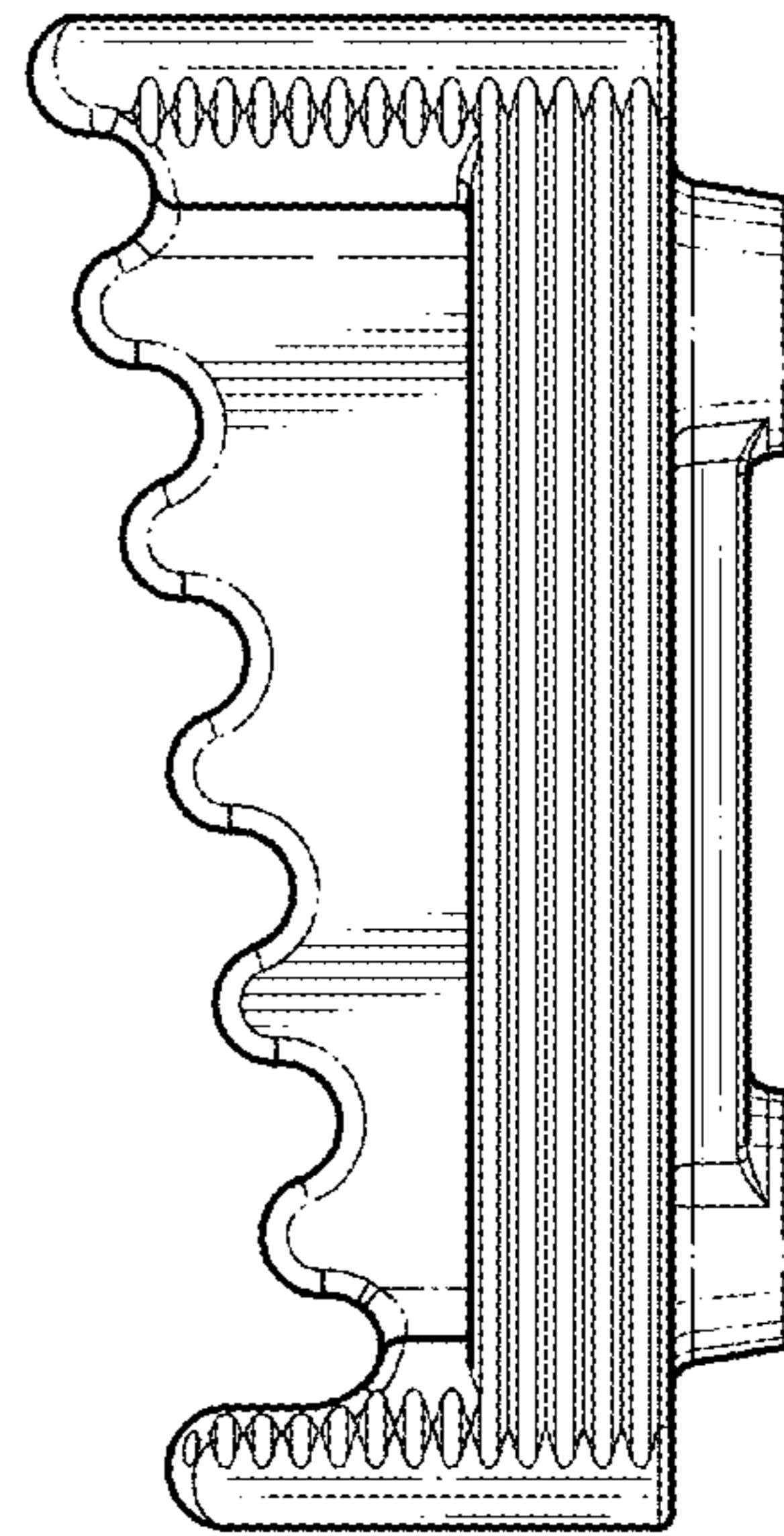


FIG. 14

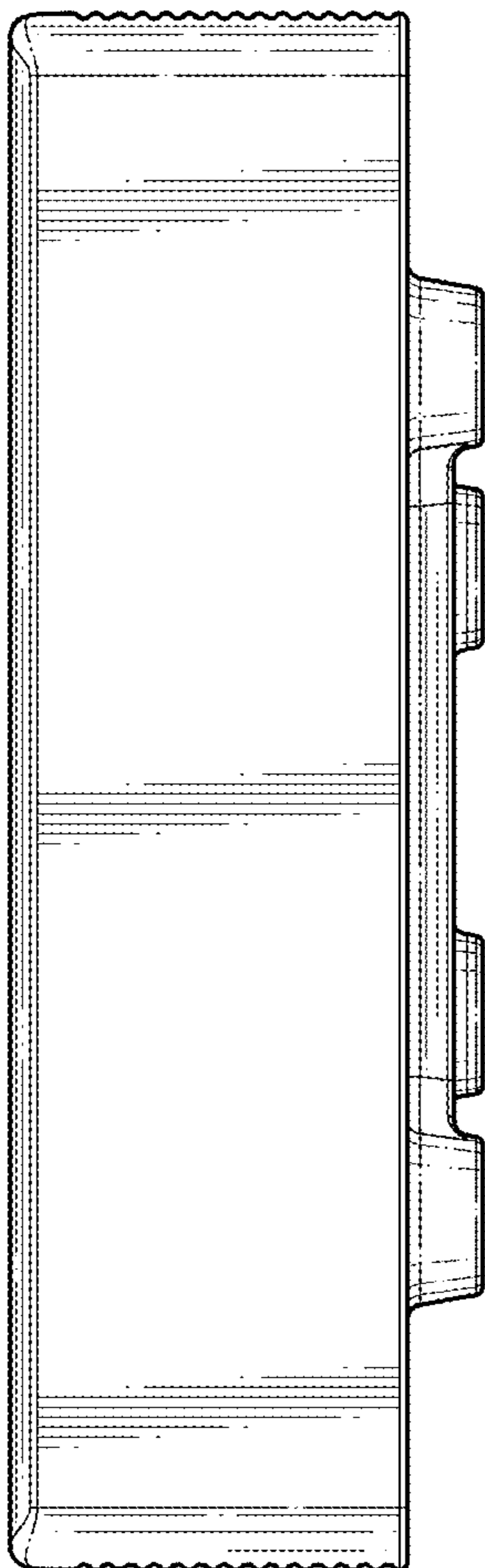


FIG. 11

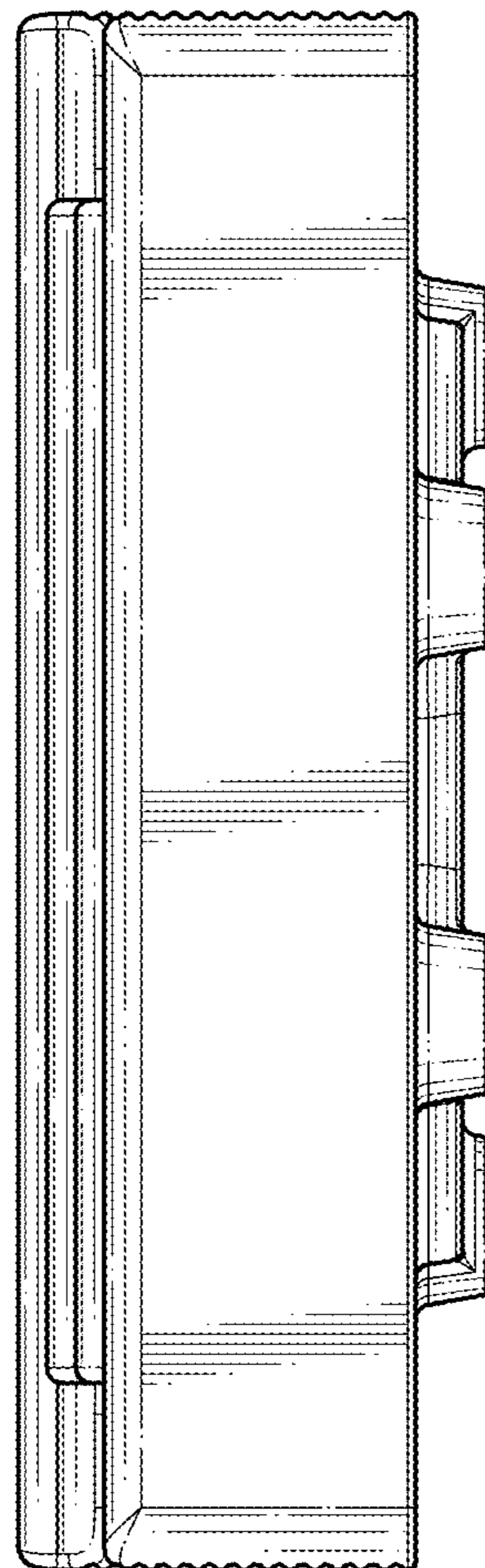


FIG. 13

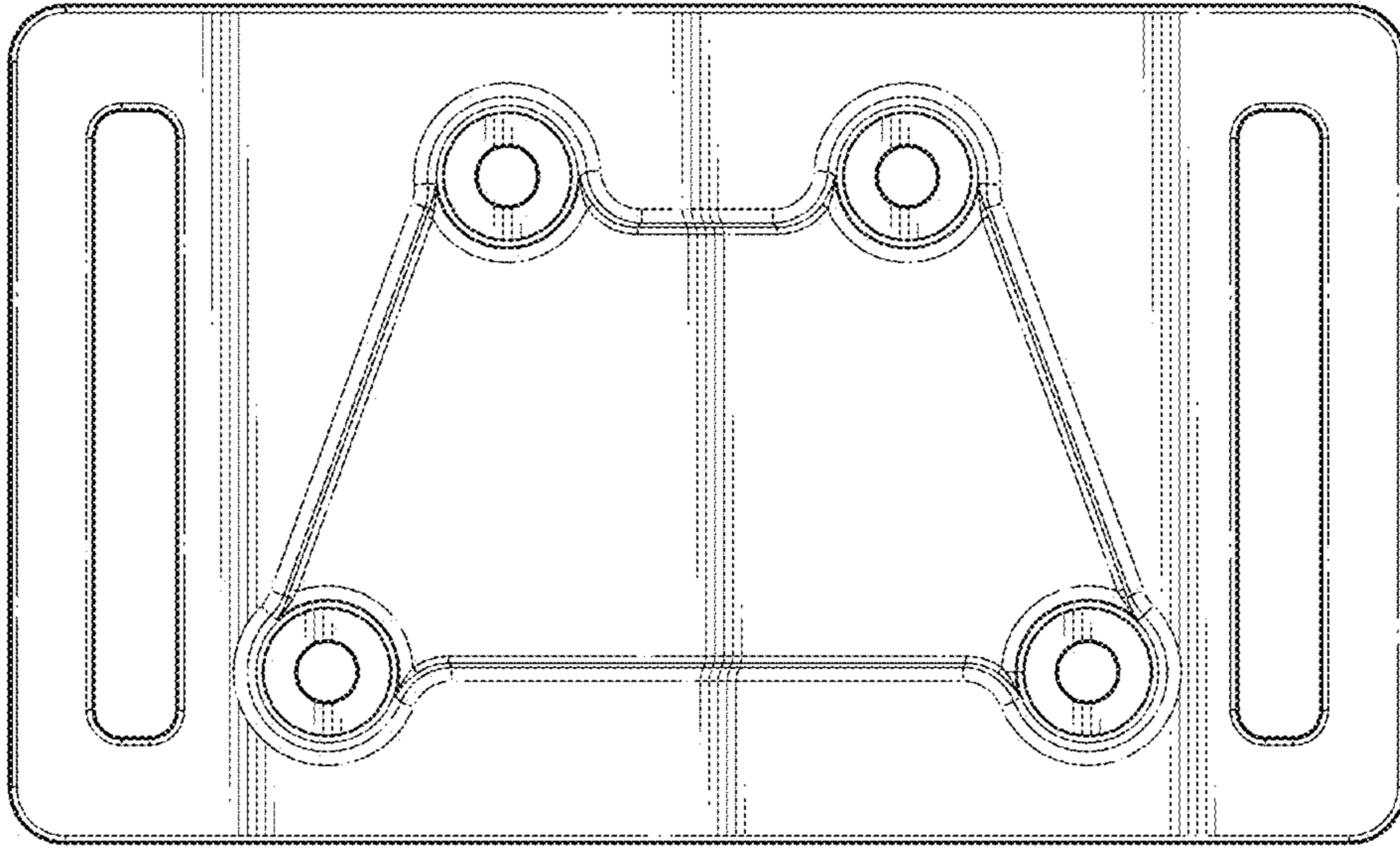


FIG. 16

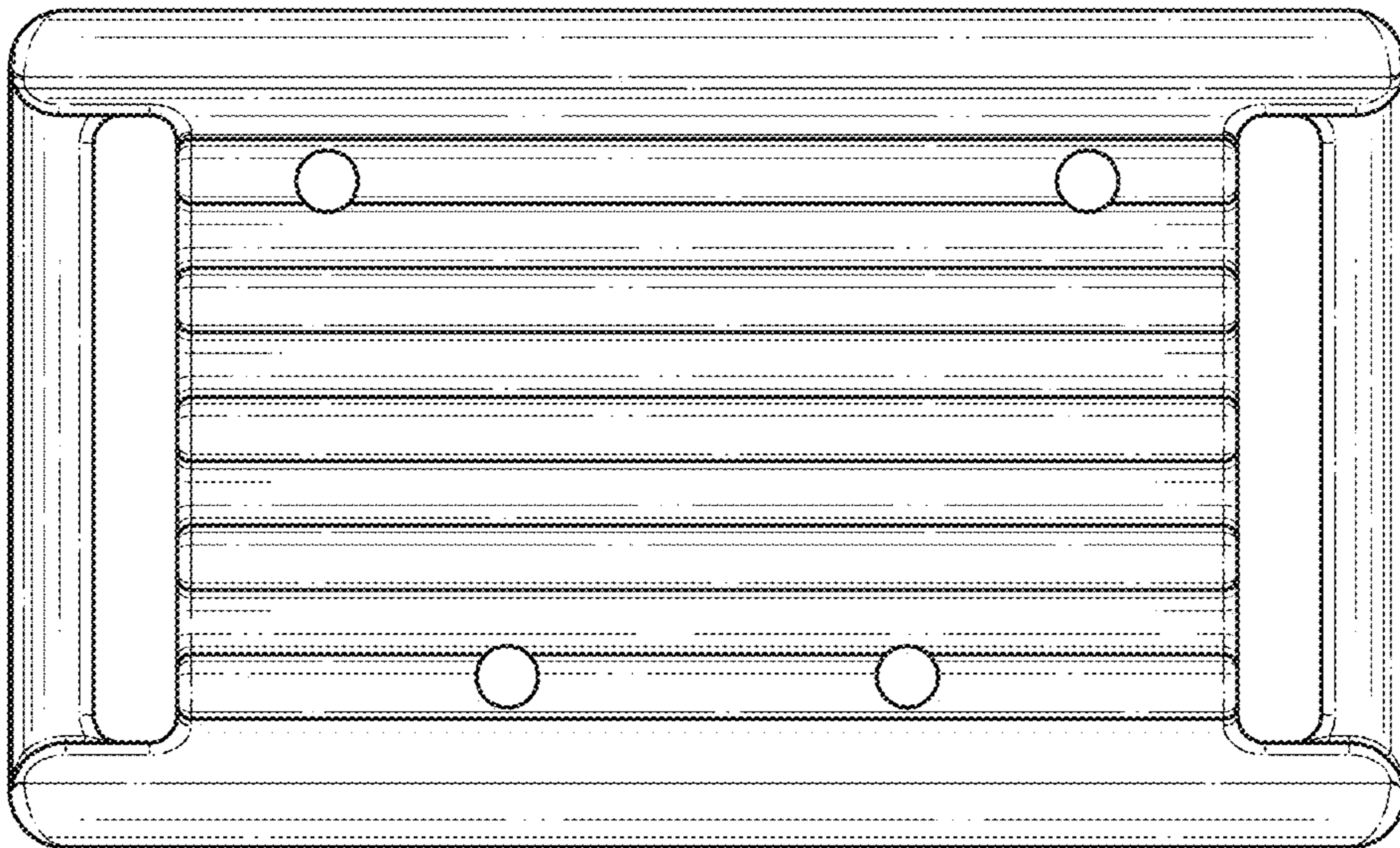


FIG. 15