



US00D879439S

(12) **United States Design Patent**
Egelja

(10) **Patent No.:** **US D879,439 S**

(45) **Date of Patent:** **** Mar. 31, 2020**

- (54) **TREAD FOR A SHOE SOLE**
- (71) Applicant: **Vionic Group LLC**, San Rafael, CA (US)
- (72) Inventor: **Amy Egelja**, Marblehead, MA (US)
- (73) Assignee: **Vionic Group LLC**, San Rafael, CA (US)

- D361,881 S * 9/1995 Hatfield D2/951
- D455,895 S * 4/2002 Yang D2/951
- D540,516 S * 4/2007 Weitzman D2/951
- 7,281,343 B2 * 10/2007 Riha A43B 13/141
36/103
- D596,385 S * 7/2009 McDade D2/953
- D636,155 S * 4/2011 Della Valle D2/907
- D641,145 S * 7/2011 Della Valle D2/953
- D646,049 S * 10/2011 Dowling D2/953
- D659,356 S * 5/2012 Van Zyll De Jong D2/951
- D659,357 S * 5/2012 Van Zyll De Jong D2/951

(**) Term: **15 Years**

(21) Appl. No.: **29/604,362**

(22) Filed: **May 17, 2017**

(51) **LOC (12) Cl.** **02-04**

(52) **U.S. Cl.**
USPC **D2/960; D2/951**

(58) **Field of Classification Search**
USPC D2/902, 906, 908, 916, 918, 925,
D2/946-962, 977; 36/1, 1.5, 3 B, 22 R,
36/24.5, 25 R, 28, 32 R, 34 R, 59 C,
36/67 A, 101-107, 114-116, 117.3, 117.4,
36/124-136; D12/544
CPC A43B 13/00; A43B 13/02; A43B 13/023;
A43B 13/026; A43B 13/04; A43B 13/08;
A43B 13/10; A43B 13/12; A43B 13/14;
A43B 13/141; A43B 13/143; A43B
13/16; A43B 13/18; A43B 13/181; A43B
13/187; A43B 13/189; A43B 13/20; A43B
13/22; A43B 13/223; A43B 13/24; A43B
13/28; A43B 13/30; A43B 13/32; A43B
13/34; A43B 13/36

See application file for complete search history.

(56) **References Cited**

U.S. PATENT DOCUMENTS

- 2,833,057 A * 5/1958 Hack A43B 13/223
36/28
- D324,448 S * 3/1992 Blissett D2/953
- D329,131 S * 9/1992 Ostberg D2/953

(Continued)

OTHER PUBLICATIONS

Lidia Slip on Mule, VionicShoes.com, [online], [site visited Nov. 1, 2018]. <URL: <https://www.vionicshoes.com/lidia-mule.html?76=20>> (Year: 2018).*

(Continued)

Primary Examiner — T Chase Nelson
Assistant Examiner — Jonathan J. Han
 (74) *Attorney, Agent, or Firm* — Reed Smith LLP; Nina Habib Borders

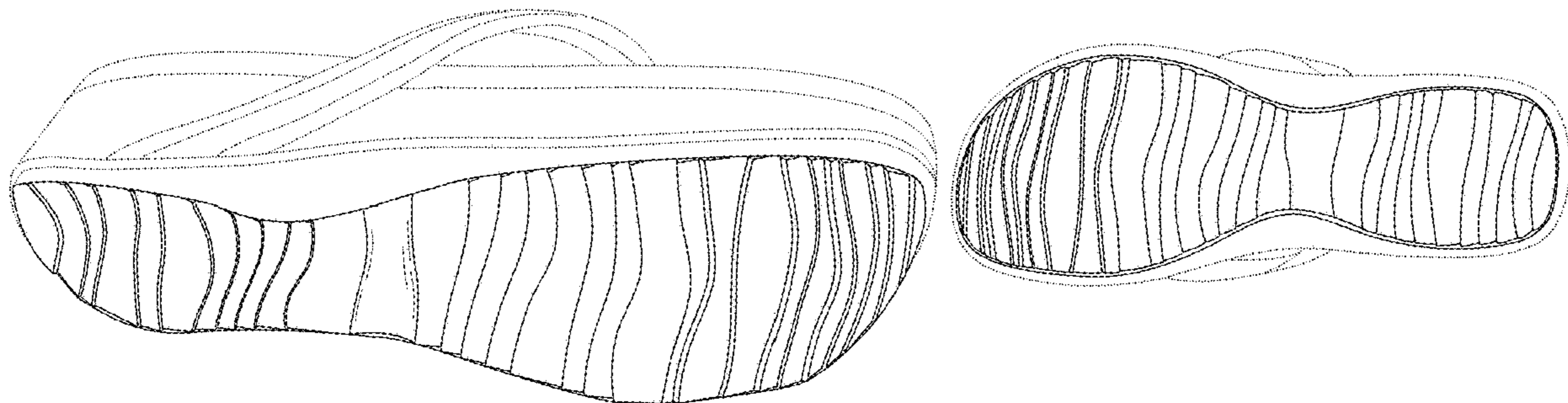
(57) **CLAIM**

The ornamental design for a tread for a shoe sole, as shown and described.

DESCRIPTION

FIG. 1 is a first perspective view for a tread for a shoe sole showing my new design;
 FIG. 2 is a bottom view thereof;
 FIG. 3 is a front view thereof;
 FIG. 4 is a rear view thereof.
 FIG. 5 is a left side view thereof;
 FIG. 6 is a right side view thereof; and,
 FIG. 7 is a second perspective view thereof.
 The broken lines showing the remainder of the shoe are for illustrative purposes only and form no part of the claimed design.

1 Claim, 4 Drawing Sheets



(56)

References Cited

U.S. PATENT DOCUMENTS

D659,359	S *	5/2012	Van Zyll De Jong	D2/951
D666,390	S *	9/2012	Van Zyll De Jong	D2/951
D691,359	S *	10/2013	Della Valle	D2/950
D703,927	S *	5/2014	Taestensen	D2/951
8,931,187	B2 *	1/2015	Healy	A43B 13/122 36/30 R
D724,828	S *	3/2015	Lonigan	D2/951
D724,829	S *	3/2015	Lonigan	D2/951
D738,077	S *	9/2015	Montross	D2/951
D746,562	S *	1/2016	Babcock	D2/951
D749,833	S *	2/2016	Hansen	D2/951
D752,322	S *	3/2016	Tomat	D2/908
D764,155	S *	8/2016	Tæstensen	D2/951
D779,806	S *	2/2017	Mokos	D2/947
D803,532	S *	11/2017	Scott	D2/953
D819,944	S *	6/2018	Martin	D2/953
D822,966	S *	7/2018	Thompson	D2/953

OTHER PUBLICATIONS

Gracie Toe Post Slipper, VionicShoes.com, [online], [site visited Nov. 1, 2018]. <URL: <https://www.vionicshoes.com/gracie-toe-post-slipper.html?76=20>> (Year: 2018).*

Gemma Mule Slippers, VionicShoes.com, [online], [site visited Nov. 1, 2018]. <URL: <https://www.vionicshoes.com/gemma-mule-slippers.html?76=312>> (Year: 2018).*

Ladies Slipper Sole, SanjeevPlastic.com, [online], [site visited Nov. 1, 2018]. <URL: <http://www.sanjeevplastic.com/ladies-slipper-sole-4099765.html>> (Year: 2018).*

High Density Rubber Sole Casual Shoe Outsole, Alibaba.com, [online], [site visited Nov. 1, 2018]. <URL: https://www.alibaba.com/product-detail/High-Density-Rubber-Sole-Casual-Shoe_1188488063.html> (Year: 2018).*

<http://www.zappos.com/p/vionic-bella-ii-white/product/8261069/color/14>, Jun. 9, 2016.

* cited by examiner

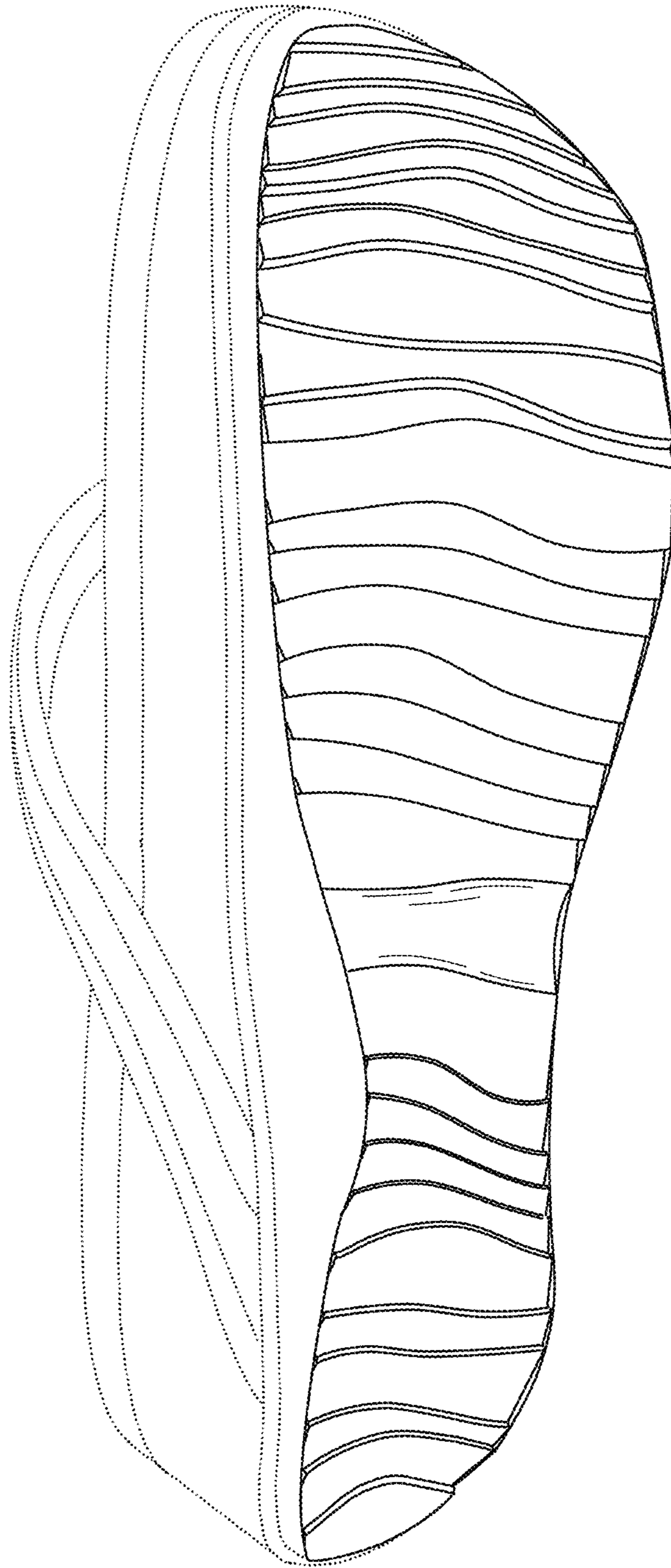
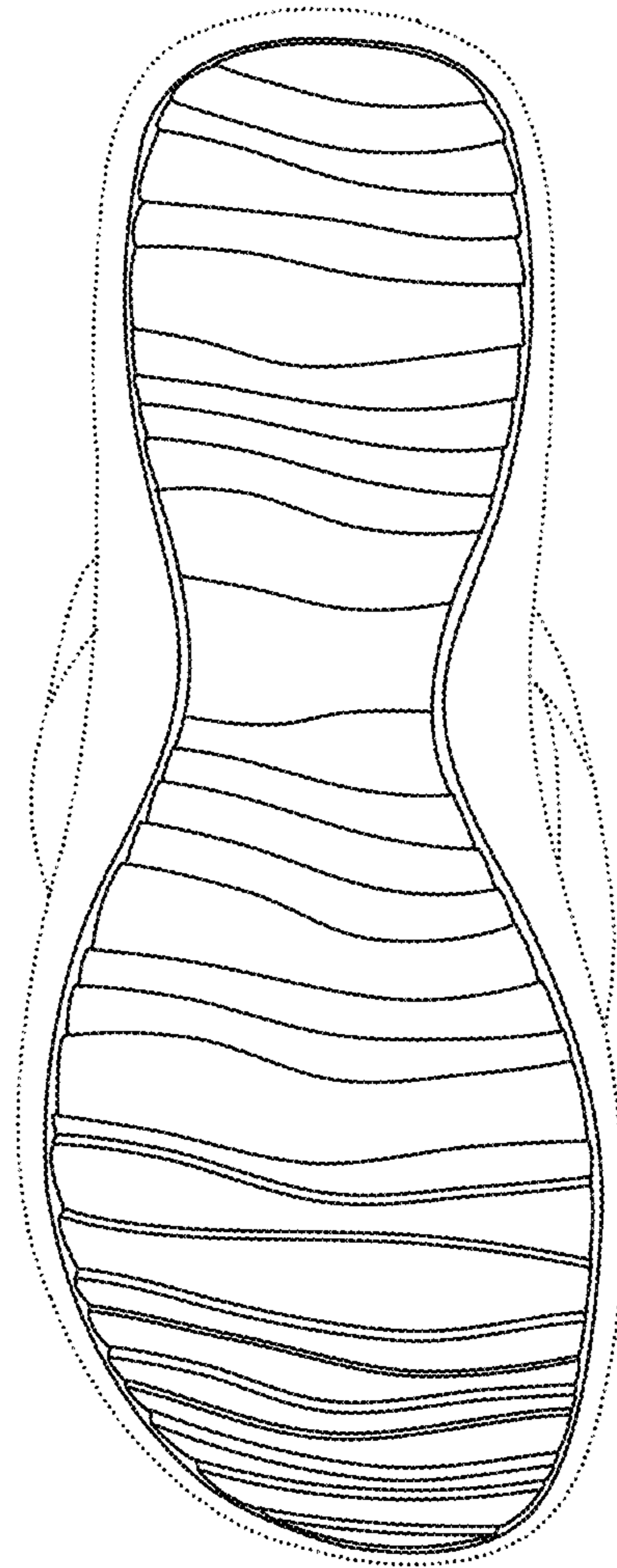
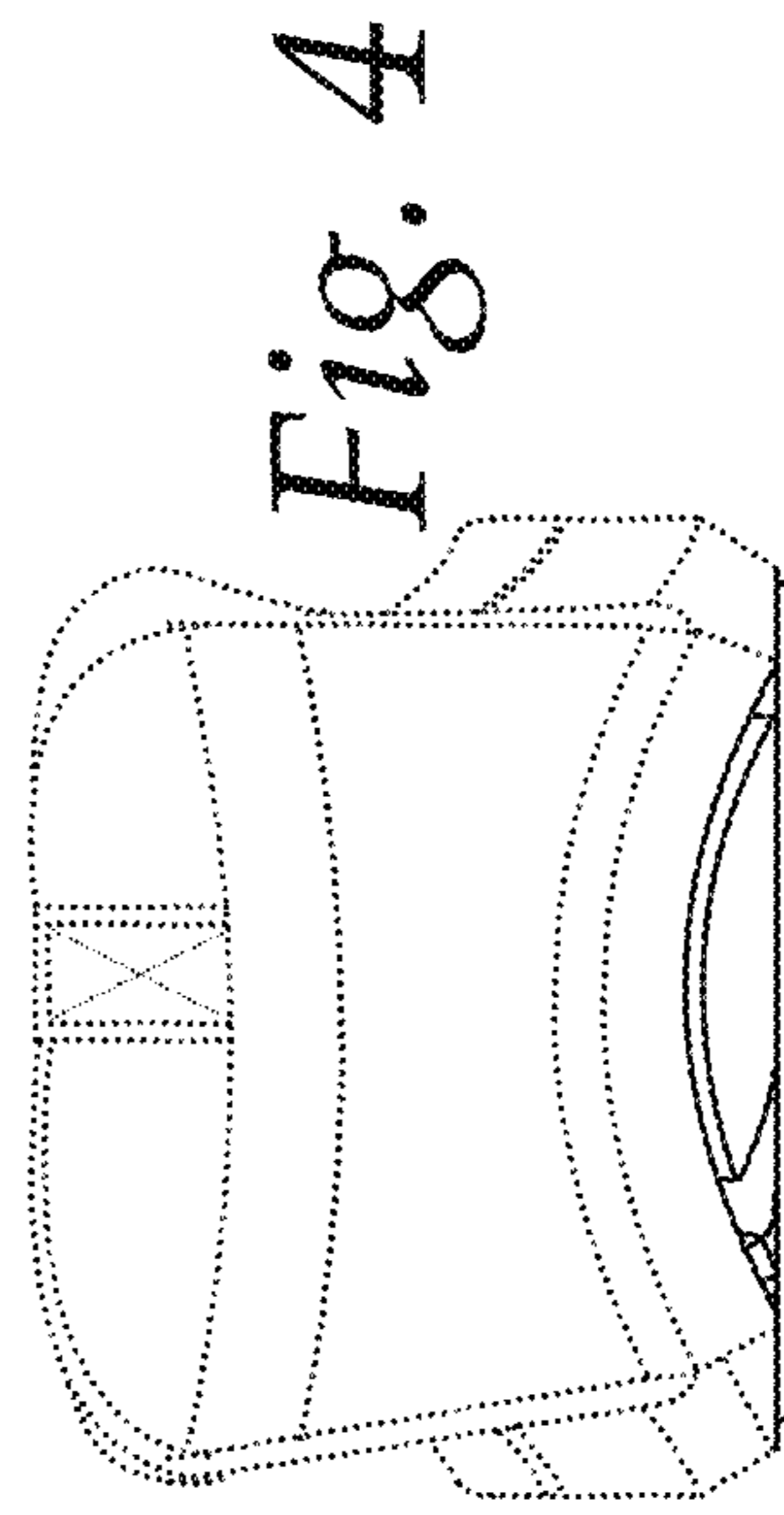
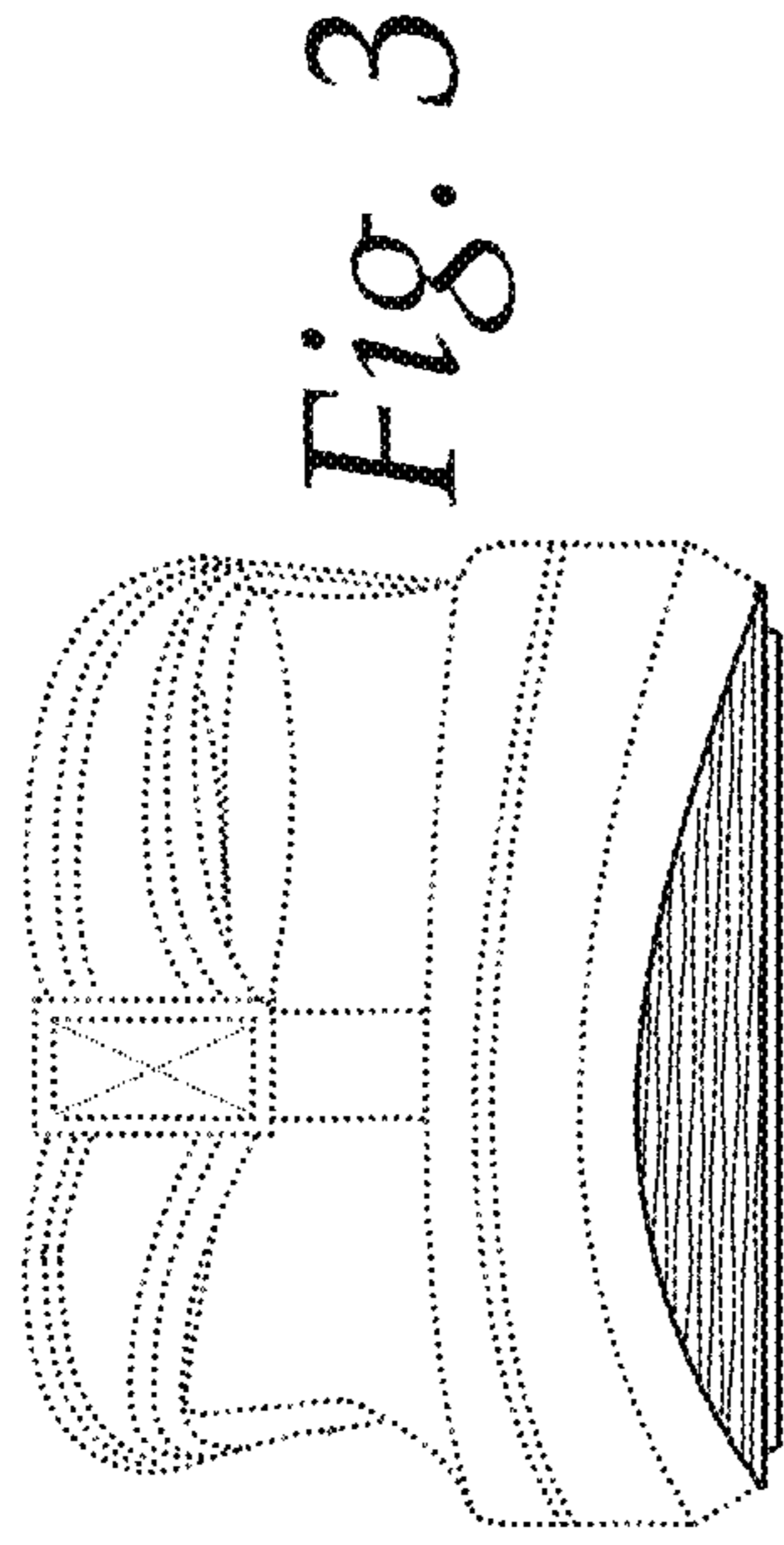


Fig. 1



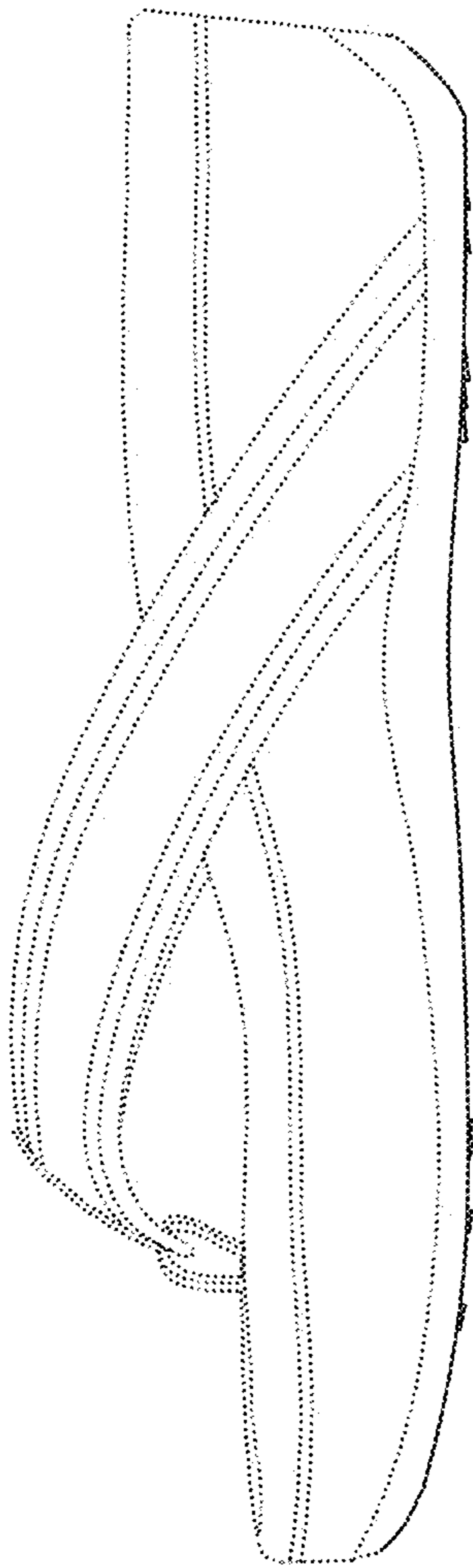


Fig. 5

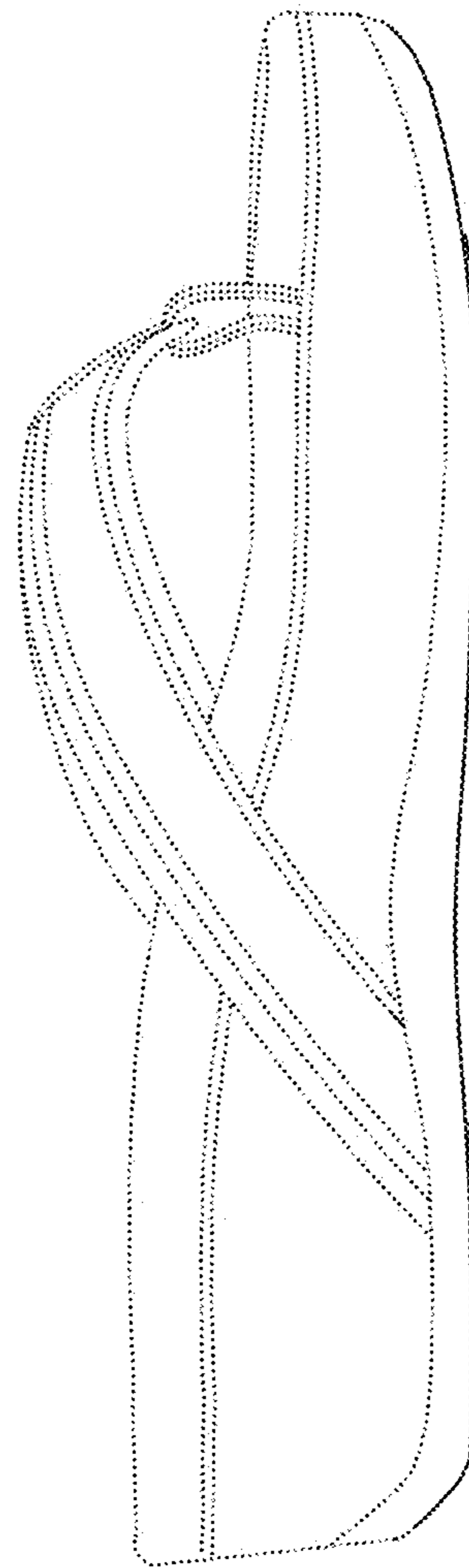


Fig. 6



Fig. 7