



US00D879421S

(12) **United States Design Patent**
Castillo

(10) **Patent No.:** **US D879,421 S**
(45) **Date of Patent:** **** Mar. 31, 2020**

- (54) **SHOE**
- (71) Applicant: **Mercedes Castillo LLC**, New York, NY (US)
- (72) Inventor: **Mercedes Perez Castillo**, New York, NY (US)
- (73) Assignee: **Mercedes Castillo LLC**, New York, NY (US)

2,235,256 A 3/1941 Elliott
 D128,254 S 7/1941 Fox
 D192,409 S 3/1962 Joiner
 (Continued)

FOREIGN PATENT DOCUMENTS

CN 304707772 S 11/2013
 CN 303722358 S 6/2016
 (Continued)

- (**) Term: **15 Years**
- (21) Appl. No.: **29/691,198**
- (22) Filed: **May 14, 2019**

OTHER PUBLICATIONS

Izar Mule posted by Mercedes Castillo posted date unknown, © SHAPE, [online], [site visited Nov. 21, 2019]. Available from Internet, <https://www.shape.com/shop/mercedes-castillo-izar-mule-white-mercedes-castillo-heels-p1a7f85372014e0b9b535417ae525e027.html> (Year: 2019).*

Related U.S. Application Data

- (63) Continuation of application No. 29/612,355, filed on Jul. 31, 2017, now abandoned.
 - (51) **LOC (12) Cl.** **02-04**
 - (52) **U.S. Cl.**
USPC **D2/926**; D2/922; D2/939; D2/940
 - (58) **Field of Classification Search**
USPC D2/902-922, 923-943
CPC A43B 1/0036; A43B 21/00; A43B 21/02;
A43B 21/06; A43B 9/14; A43B 1/0045;
A43B 13/10; A43B 23/06; A43B 23/07;
A43B 5/12
- See application file for complete search history.

(Continued)

Primary Examiner — Cynthia Ramirez
Assistant Examiner — Laura H Yu
 (74) *Attorney, Agent, or Firm* — Wolf, Greenfield & Sacks, P.C.

- (56) **References Cited**

U.S. PATENT DOCUMENTS

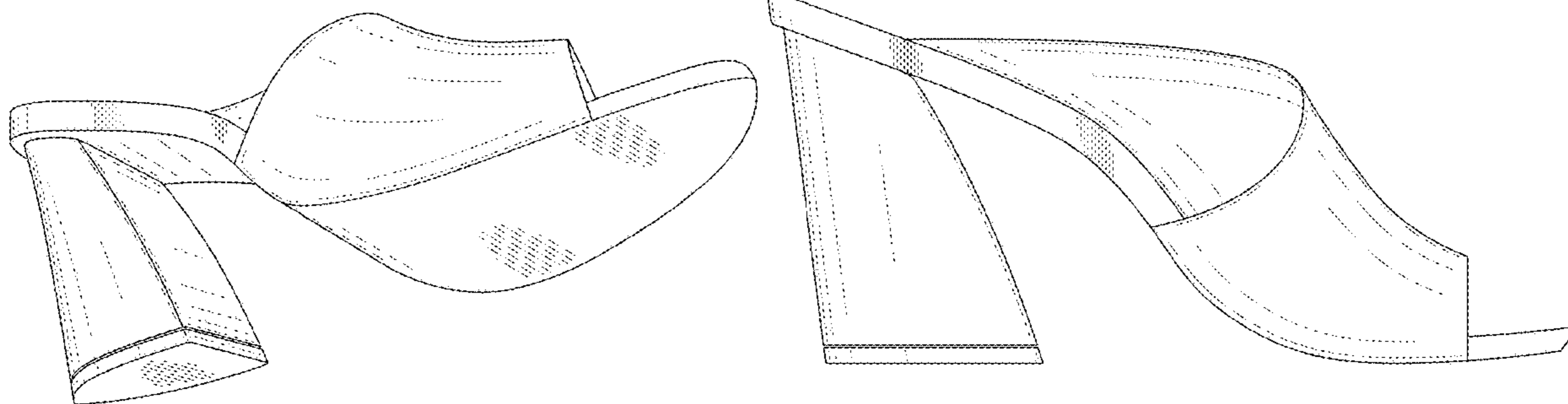
1,140,004 A 5/1915 Schall
 D95,629 S 5/1935 Bressler
 D97,613 S 11/1935 Mackey
 D98,509 S 2/1936 Goldberg
 D109,410 S 4/1938 Louchheim
 D114,316 S 4/1939 Buehner
 D115,943 S 8/1939 Spathelf
 D116,701 S 9/1939 Calderazzo

- (57) **CLAIM**
The ornamental design for a shoe, as shown and described.

DESCRIPTION

FIG. 1 is perspective view of a shoe showing my new design;
 FIG. 2 is a left side elevation view of the shoe shown in FIG. 1;
 FIG. 3 is a right side elevation view of the shoe shown in FIG. 1;
 FIG. 4 is a bottom plan view of the shoe shown in FIG. 1; and,
 FIG. 5 is a back elevation view of the shoe shown in FIG. 1.

1 Claim, 5 Drawing Sheets



(56)

References Cited

U.S. PATENT DOCUMENTS

D194,778 S	3/1963	Joyce	
D461,626 S *	8/2002	Hisamatsu	D2/897
D707,021 S *	6/2014	Horwitz	D2/926
D728,211 S	12/2015	Kirkwood	
D744,730 S	12/2015	Kirkwood	
D770,738 S	11/2016	Choi	
D783,243 S	4/2017	Campbell	
D793,056 S	8/2017	Venturi	
D802,262 S	11/2017	Kirkwood	
D840,655 S	2/2019	Castillo	
D853,102 S	7/2019	Castillo	

FOREIGN PATENT DOCUMENTS

CN	303909019	11/2016
CN	304181526	6/2017
CN	302644688 S	7/2018

OTHER PUBLICATIONS

Gala Mules posted by Breckelle's posted date Apr. 11, 2017, © Amazon, [online], [site visited Nov. 21, 2019]. Available from

Internet, <https://www.amazon.com/Breckelles-Gala-01-Block-Slide-Mules/dp> (Year: 2017).*

Chunky Mule posted by Mercedes Castillo posted date unknown, © FarFetch, [online], [site visited Nov. 21, 2019]. Available from Internet, <https://www.farfetch.com/kw/shopping/women/mercedes-castillo-asymmetric-chunky-heel-mules-item-13943679.aspx> (Year: 2019).*

U.S. Appl. No. 29/612,353, filed Jun. 17, 2019, Castillo.

U.S. Appl. No. 29/612,354, filed Jul. 31, 2017, Castillo.

U.S. Appl. No. 29/612,355, filed Jul. 31, 2017, Castillo.

Slingback posted by Yuul Yie © Mada, [online], [site visited Aug. 21, 2018]. Available from Internet, <https://www.modaoperandi.com/yuul-yie-fw-18/m-o-exclusive-slingback-leather-pump?color=black%2Fwhite&material=SHEEP+%2B+COW+SKIN>.

Kaz Mules posted by Mercedes Castillo, © LaneCrawford, [online], [site visited Aug. 21, 2018]. Available from Internet, http://www.lanecrawford.com/product/mercedes-castillo/-kaz-leather-mules/_/AKV076/product.lc.

Dolce Vita Women's Rilee Slide Sandal [online], [site visited Nov. 7, 2018]. Available from Internet, <https://www.amazon.com/Dolce-Vita-Womens-Sandal-Leather>. Page lists "Date first listed on Amazon" as May 24, 2017.

* cited by examiner

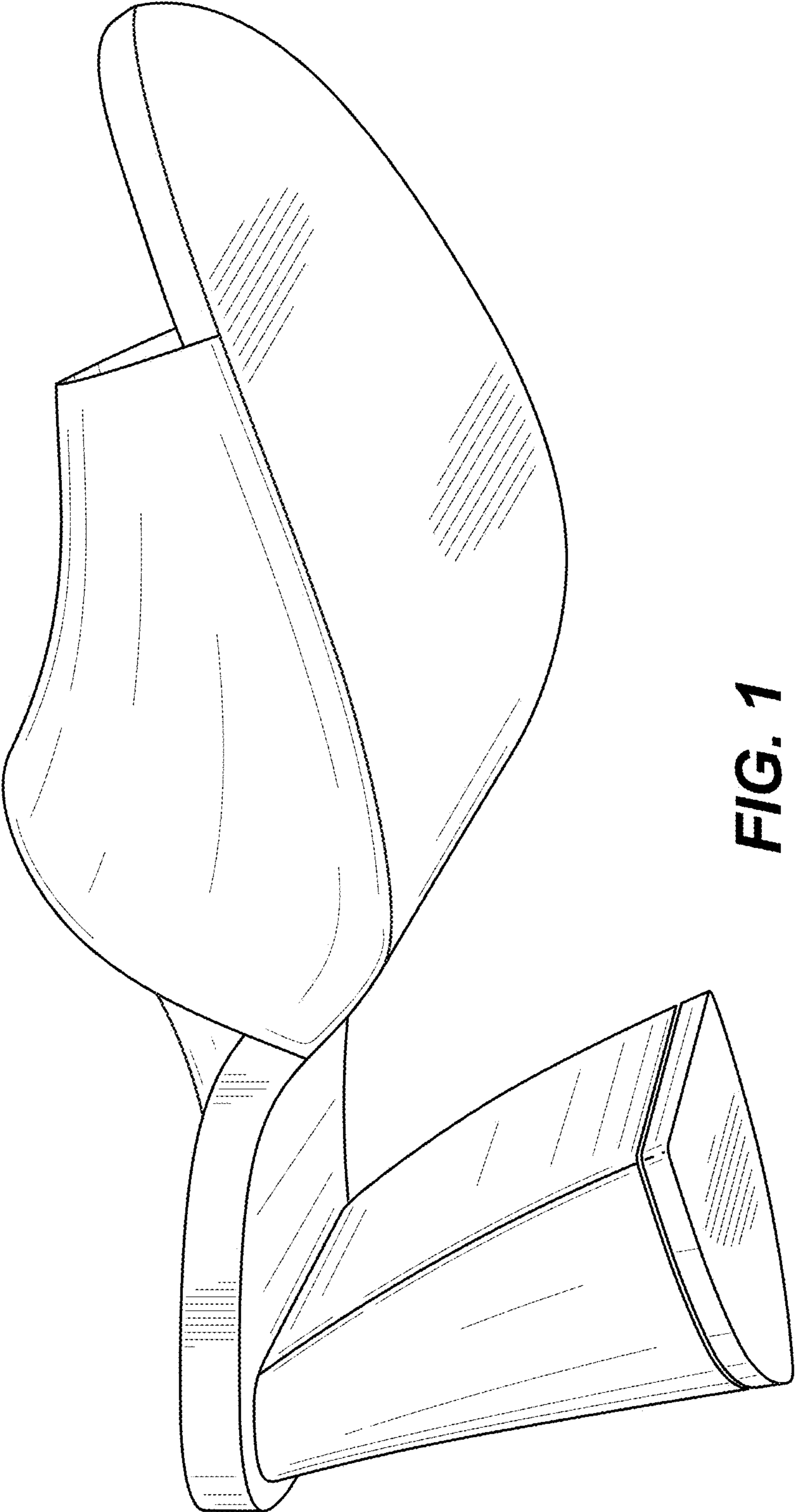


FIG. 1

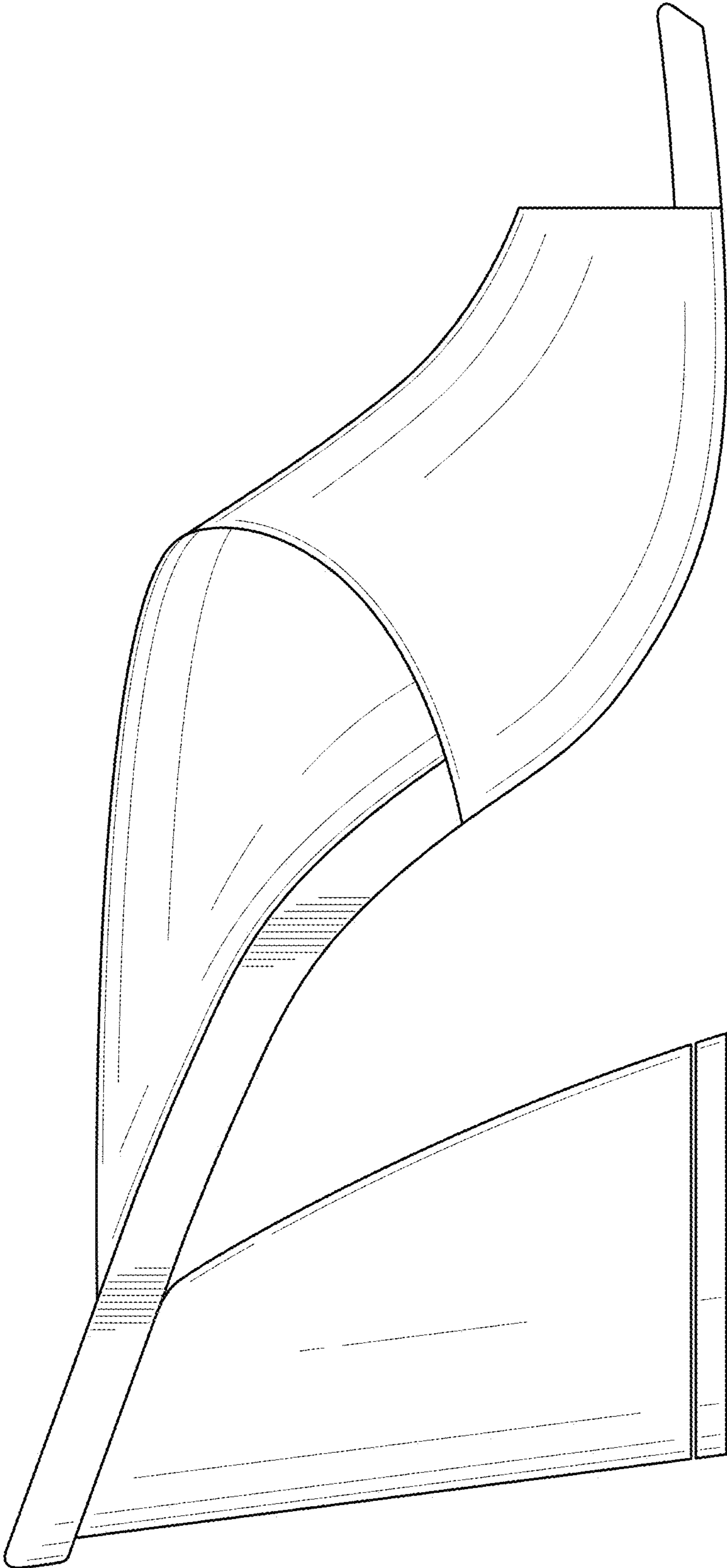


FIG. 2

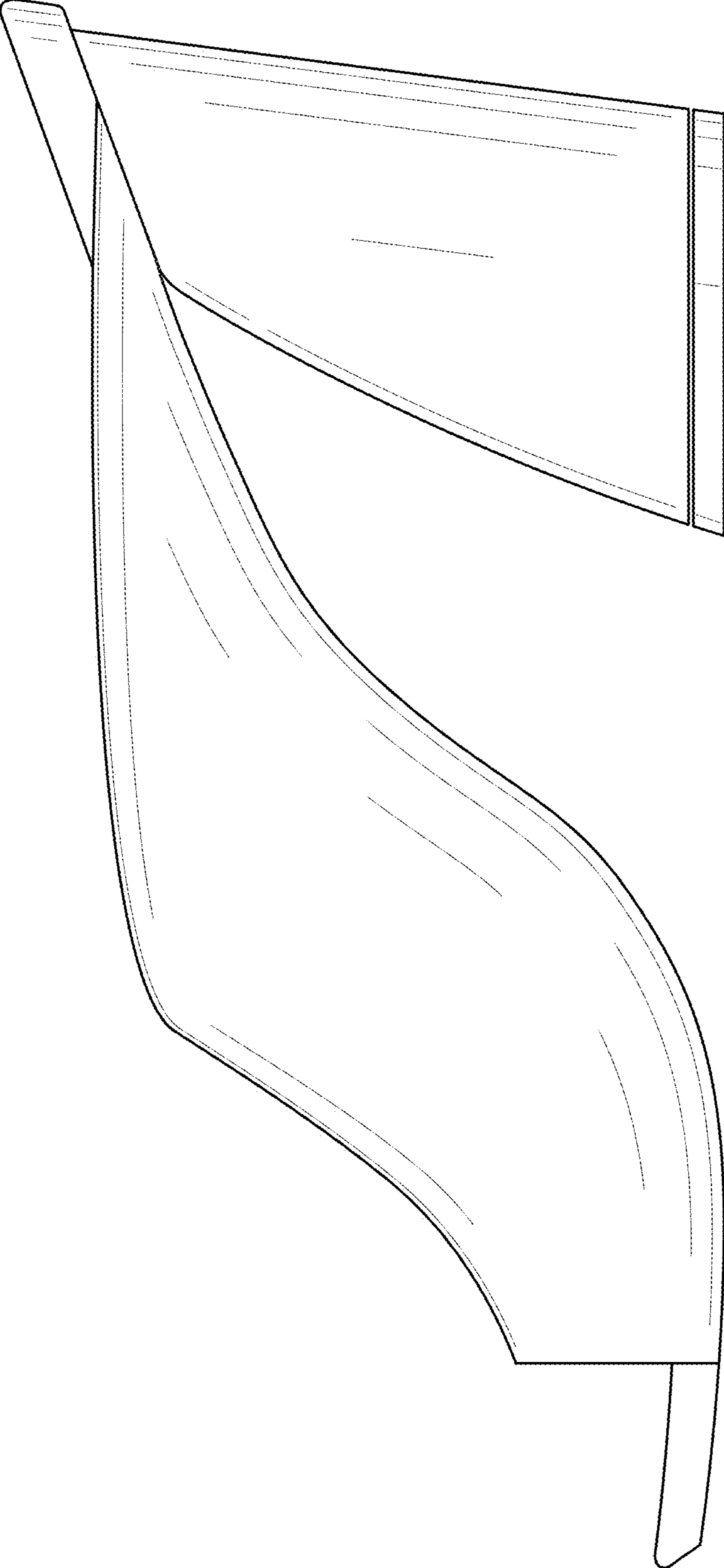


FIG. 3

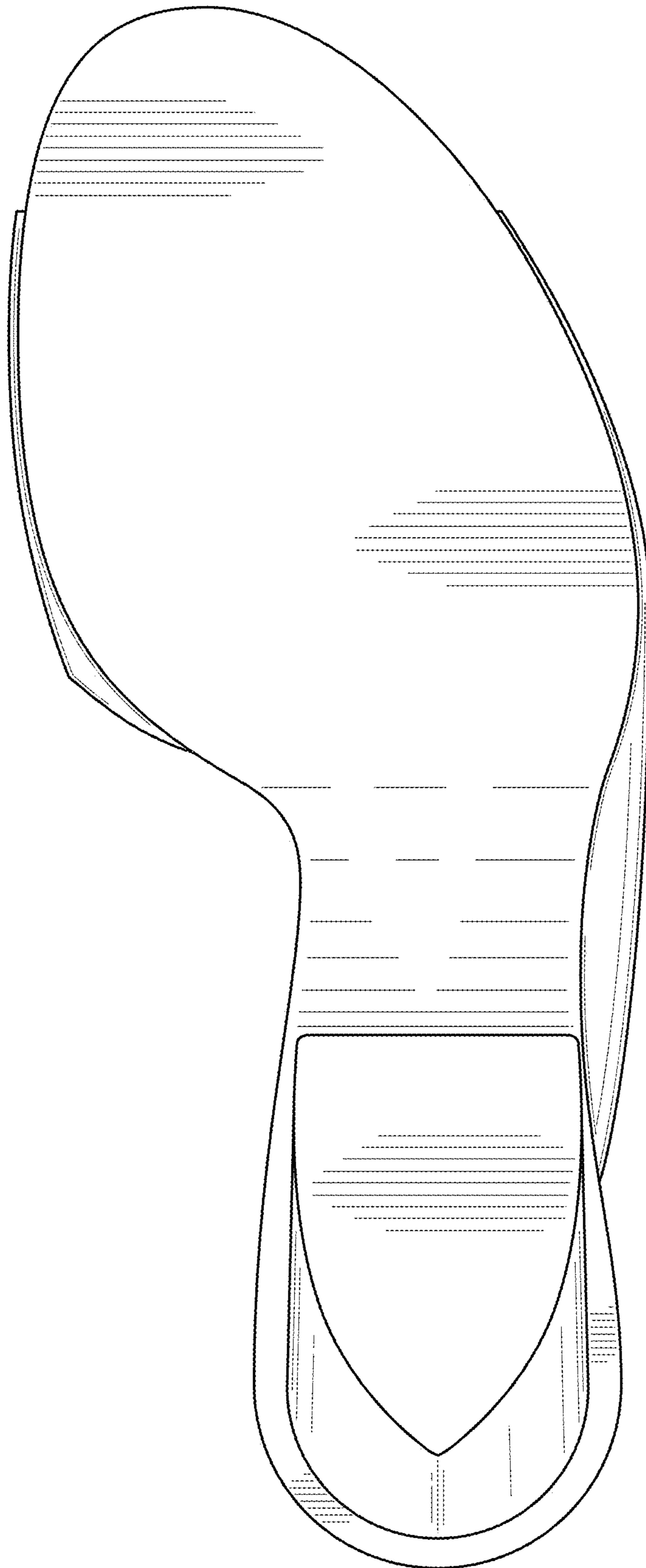


FIG. 4

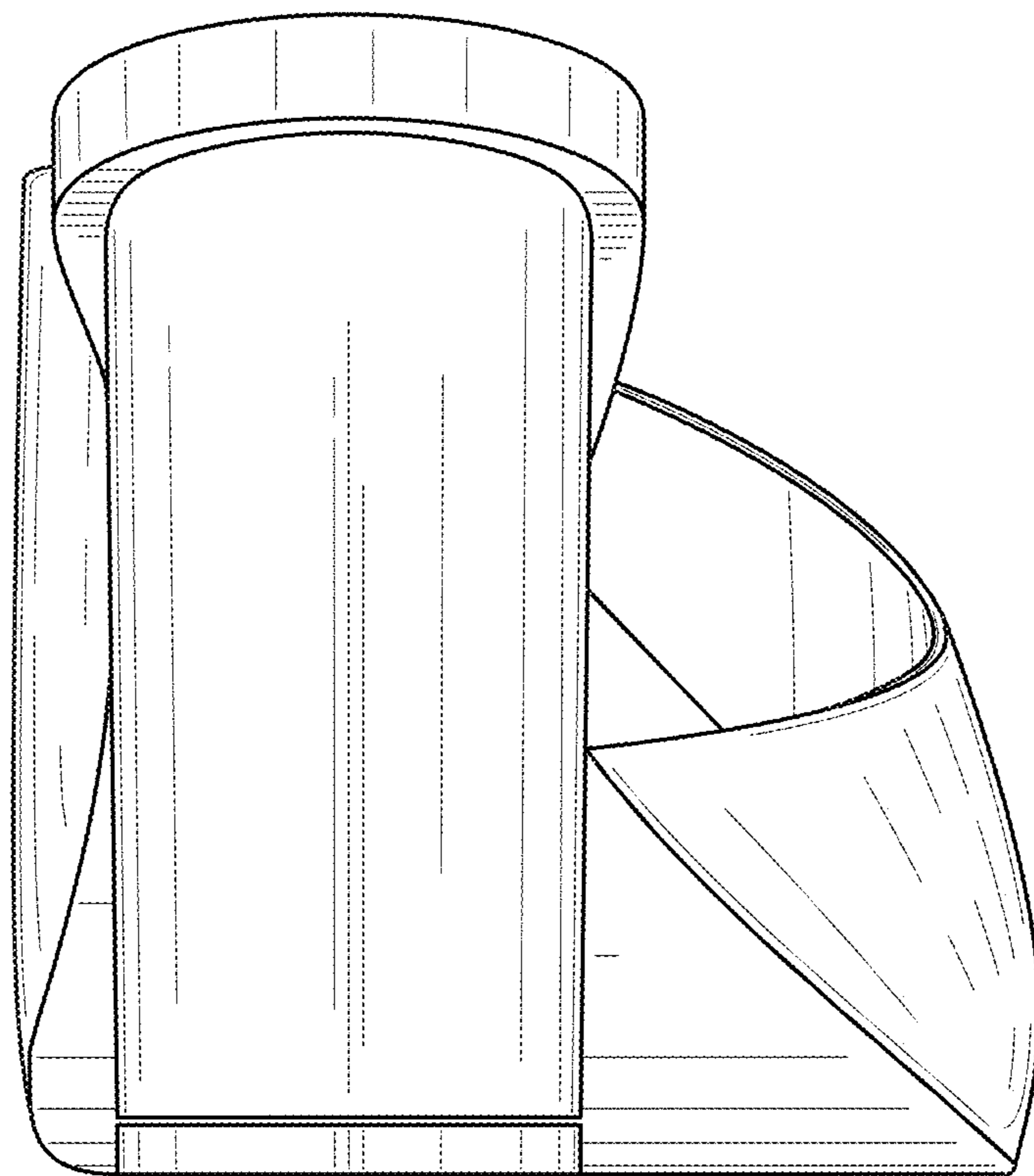


FIG. 5