



US00D879403S

(12) **United States Design Patent**
Teague

(10) **Patent No.:** **US D879,403 S**

(45) **Date of Patent:** **** *Mar. 24, 2020**

(54) **MEMORY TROVE HEADSTONE**

1,365,634 A * 1/1921 Hiram A61G 17/00
27/8

(71) Applicant: **Johnny Mark Teague**, Tomball, TX
(US)

D63,978 S * 2/1924 Tipping D99/21
1,548,595 A * 8/1925 Freileweh A45C 5/03
190/122

(72) Inventor: **Johnny Mark Teague**, Tomball, TX
(US)

1,664,431 A * 4/1928 Soren B25H 3/02
206/349

(*) Notice: This patent is subject to a terminal disclaimer.

2,040,497 A * 5/1936 Porter A47F 3/12
312/114

(**) Term: **15 Years**

D104,741 S * 6/1937 Grubbs D99/17
D112,063 S * 11/1938 Grieve D99/17

(21) Appl. No.: **29/638,227**

D122,656 S * 9/1940 Adams 40/124.5
D133,690 S * 9/1942 Anderson D99/21

(22) Filed: **Feb. 26, 2018**

D138,497 S * 8/1944 Schmidt D99/4
D155,496 S * 10/1949 Gardner D99/21

(Continued)

Primary Examiner — Paula Allen Greene

(74) *Attorney, Agent, or Firm* — Dossey & Jones, PLLC;
Phillip Black; James P. Dossey

Related U.S. Application Data

(63) Continuation-in-part of application No. 29/581,876,
filed on Oct. 24, 2016, now abandoned.

(57) **CLAIM**

The ornamental design for a memory trove headstone, as
shown and described.

(51) **LOC (12) Cl.** **99-00**

(52) **U.S. Cl.**
USPC **D99/17**

DESCRIPTION

(58) **Field of Classification Search**
USPC D99/17, 4, 20, 21, 25; 52/103, 104, 157,
52/155; 27/1, 2, 7, 8; 40/124.5;
D9/721, 414, 418, 432; 220/4.28;
312/111, 114; 248/118.4, 127;
206/45.39, 771; 428/15; D11/132
CPC A61G 17/02; A61G 17/00; E04H 13/00
See application file for complete search history.

FIG. 1 is top view of my design of a memory trove
headstone;
FIG. 2 is a front elevational view thereof;
FIG. 3 is a rear elevational view thereof;
FIG. 4 is a bottom view thereof;
FIG. 5 is a right side elevational view thereof, a left side is
a mirror image thereof; and,
FIG. 6 is a cross-sectional view showing the internal con-
tainer thereof.

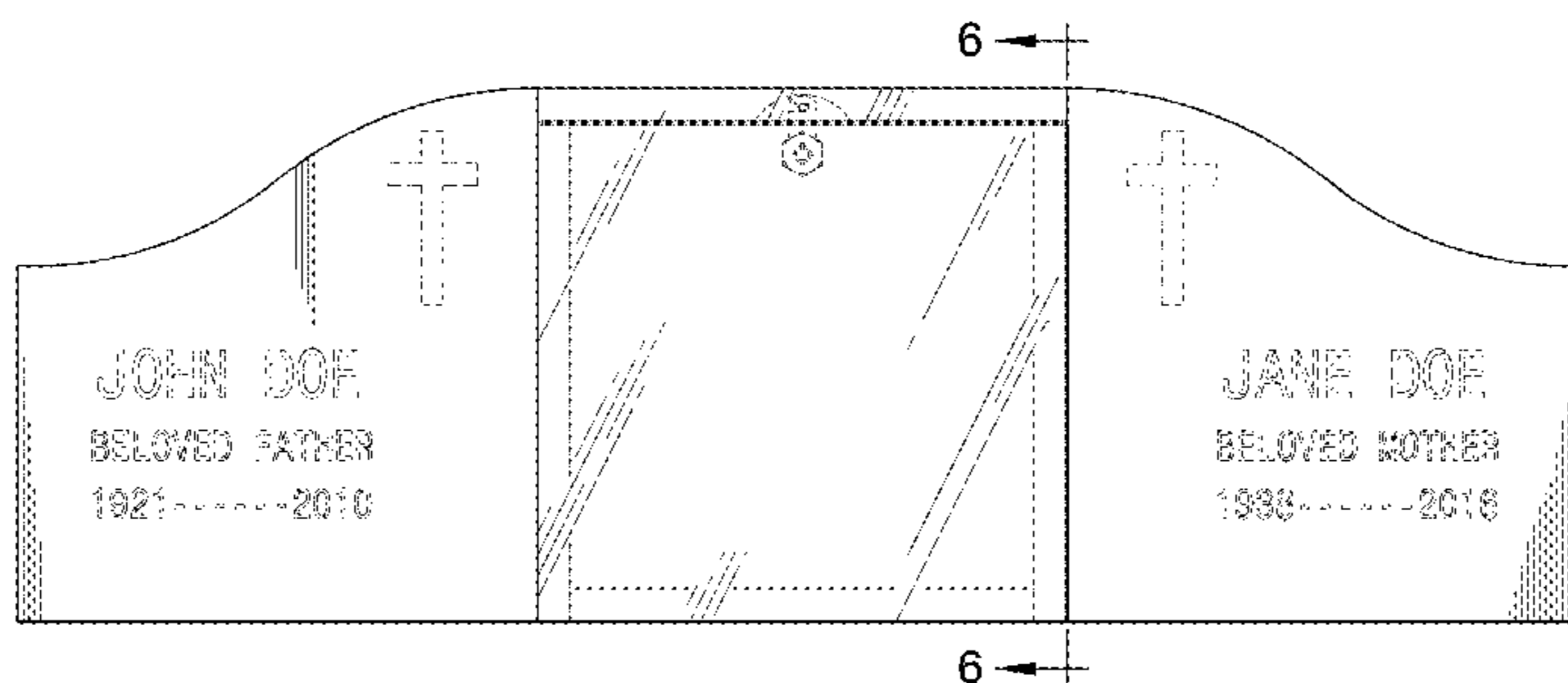
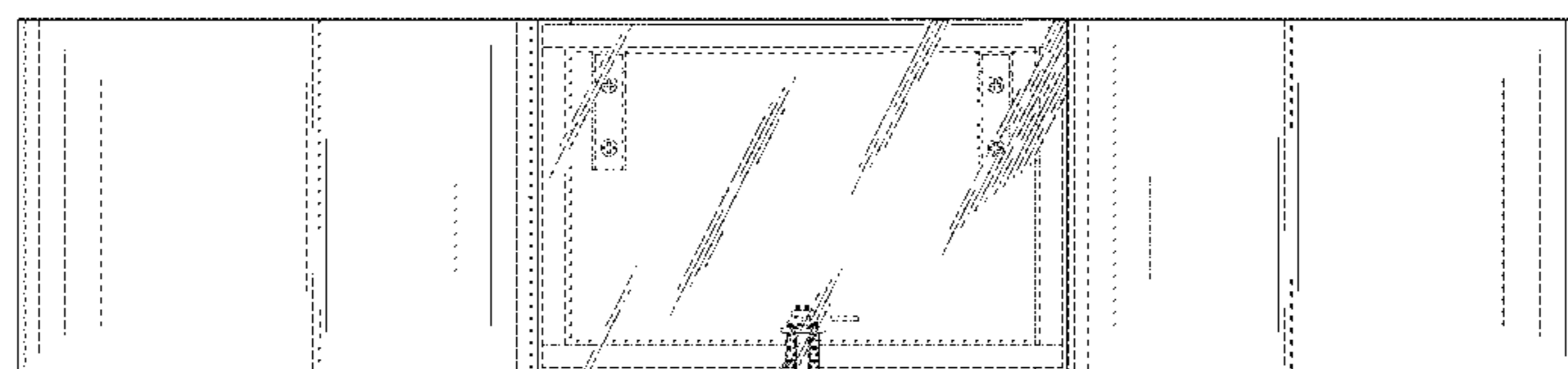
(56) **References Cited**

U.S. PATENT DOCUMENTS

690,874 A * 1/1902 Powers 312/140
1,020,557 A * 3/1912 Hunter A47F 3/005
312/107
1,126,258 A * 1/1915 Myers A47F 3/12
220/665
D56,278 S * 9/1920 Eisenbrown D99/21

The surface shading is for purposes of illustrating the
contour and appearance of the claimed surfaces upon which
it is illustrated, but is not actually seen on the surface of the
lower receiver. The broken lines are used to show unclaimed
portions of the invention and form no part of the claimed
design.

1 Claim, 3 Drawing Sheets



(56)

References Cited

U.S. PATENT DOCUMENTS

2,670,932 A *	3/1954	Westerfors	A47D 13/06	4,648,162 A *	3/1987	Daino	A61G 17/08
			220/327				27/1
D182,246 S *	4/1958	Rettman	D99/21	5,140,728 A *	8/1992	Chandler	A61G 17/04
2,989,226 A *	6/1961	Swartz	B65D 11/188				264/250
			220/4.28	5,230,127 A *	7/1993	Zukowski	A61G 17/007
D191,248 S *	8/1961	Galorets	40/124.5				220/327
3,031,689 A *	5/1962	Sark	A47C 19/022	5,546,710 A *	8/1996	Barry	E04H 13/003
			248/188.4				52/104
3,142,934 A *	8/1964	Mehling	A47G 7/06	5,553,426 A *	9/1996	Ostergaard	E04H 13/003
			215/377				40/124.5
3,310,918 A *	3/1967	Taylor, Jr.	E04H 13/003	D385,083 S *	10/1997	Kennedy	D99/17
			52/103	5,732,515 A *	3/1998	Rodrigues	E04H 13/003
3,488,818 A *	1/1970	Orr	A61G 17/007				312/102
			27/19	5,774,958 A *	7/1998	Casimir	A61G 17/007
3,651,975 A *	3/1972	Callan	A01K 63/003				27/1
			119/269	6,203,643 B1 *	3/2001	Gaunt	B44C 1/22
3,716,939 A *	2/1973	Pibet	A63H 33/086				156/153
			446/128	6,234,215 B1 *	5/2001	Klamm	F01P 11/0204
3,919,797 A *	11/1975	Murakami	G09F 19/00				138/90
			40/538	6,556,952 B1 *	4/2003	Magro	G06F 11/3409
3,974,934 A *	8/1976	Rohner	B65D 11/1893				702/182
			220/4.28	D514,810 S *	2/2006	Armato	D3/273
4,002,233 A *	1/1977	Page, Jr.	A45C 7/005	D574,124 S *	7/2008	Huber	D99/28
			206/450	7,665,881 B2 *	2/2010	Elam	E04H 13/003
4,180,930 A *	1/1980	DiMatteo	B44F 1/06				27/1
			40/661	8,196,275 B2 *	6/2012	Wessel	A47G 1/12
4,324,026 A *	4/1982	Craft	A61G 17/08				27/10
			27/1	D672,271 S *	12/2012	Ellis	D11/132
4,369,914 A *	1/1983	Langston, Jr.	B65D 5/6626	8,418,329 B2 *	4/2013	Davis	A61G 17/08
			229/159				27/1
4,560,257 A *	12/1985	Otema	G02B 7/182	D748,363 S *	1/2016	Hackett	D99/5
			217/11	D756,063 S *	5/2016	Haass	D99/17
				2014/0250645 A1 *	9/2014	Bailey	A61G 17/08
							27/1

* cited by examiner

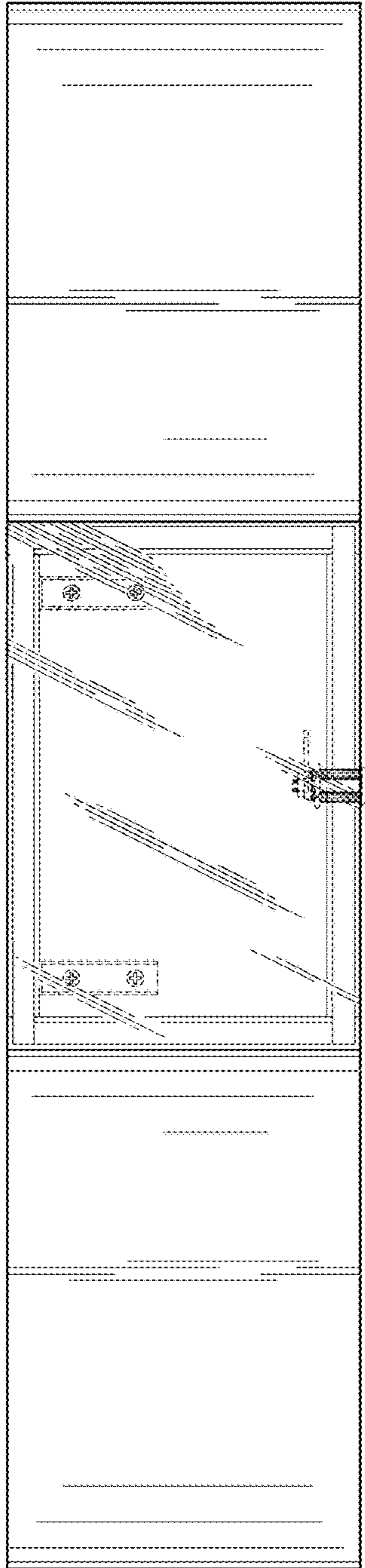


FIG. 1

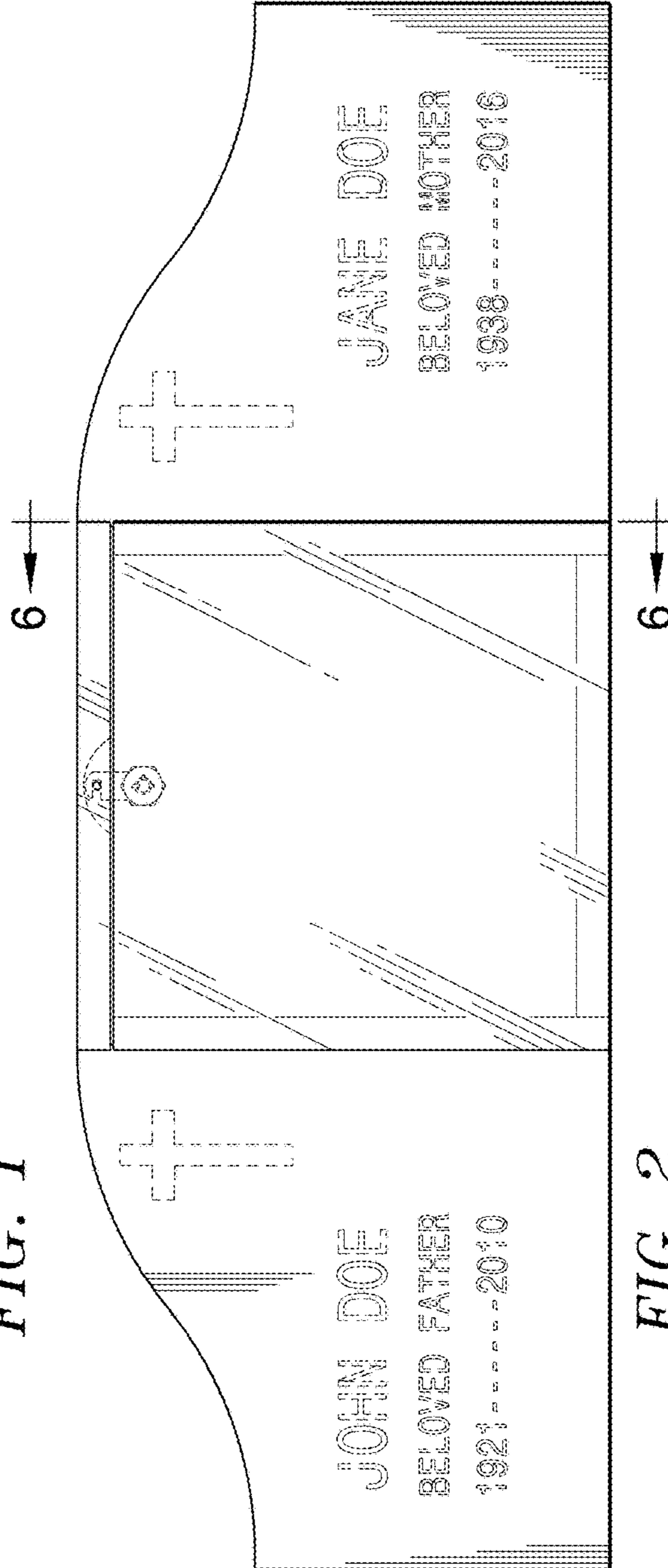


FIG. 2

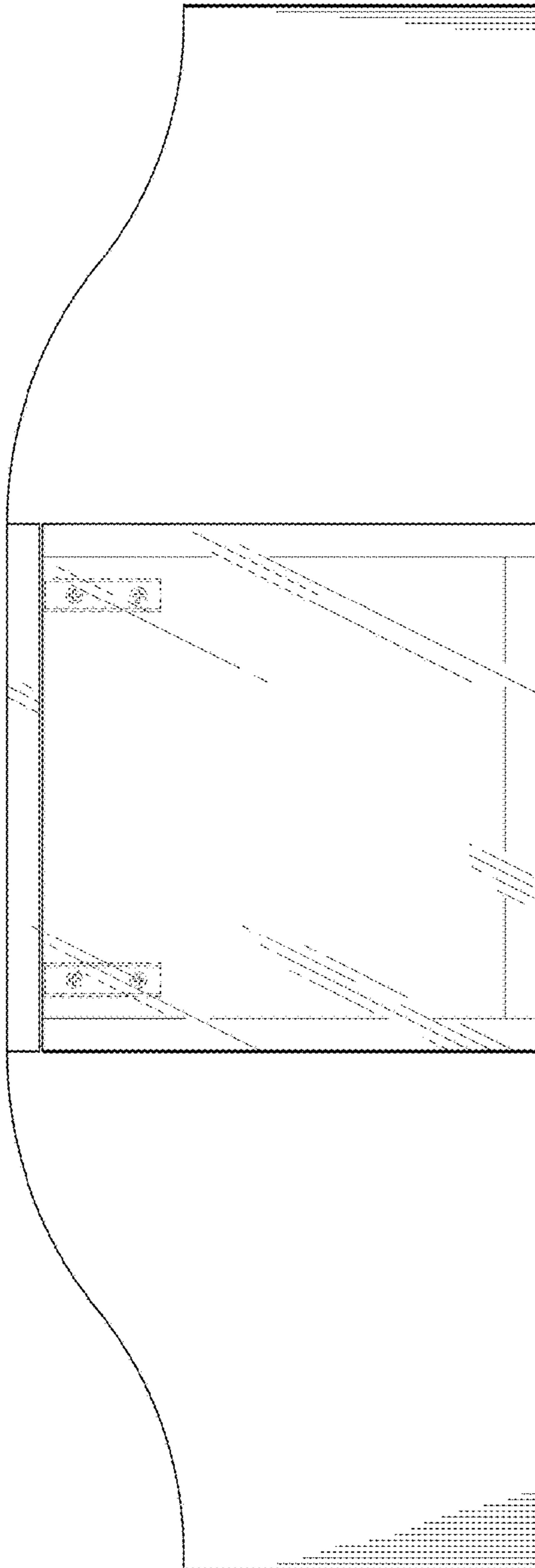


FIG. 3

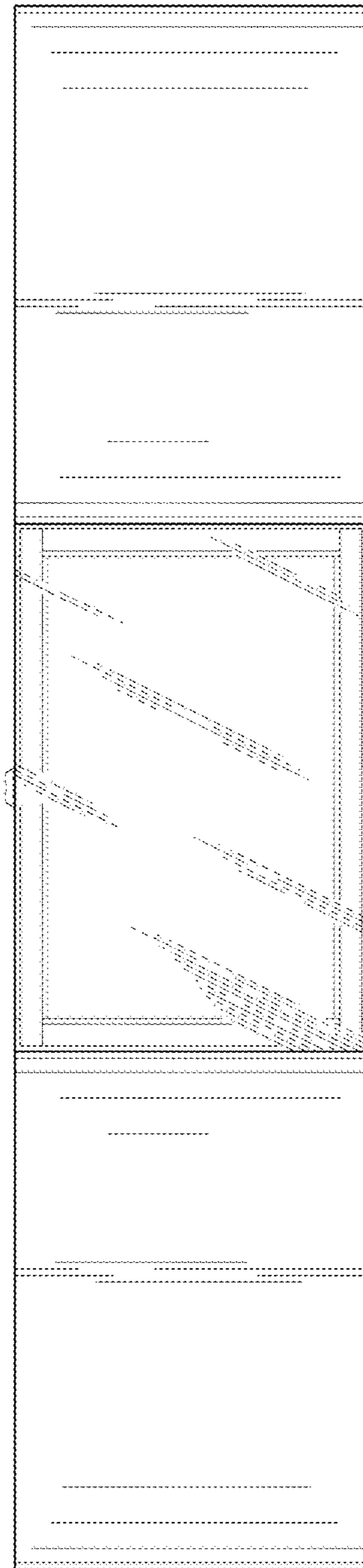


FIG. 4

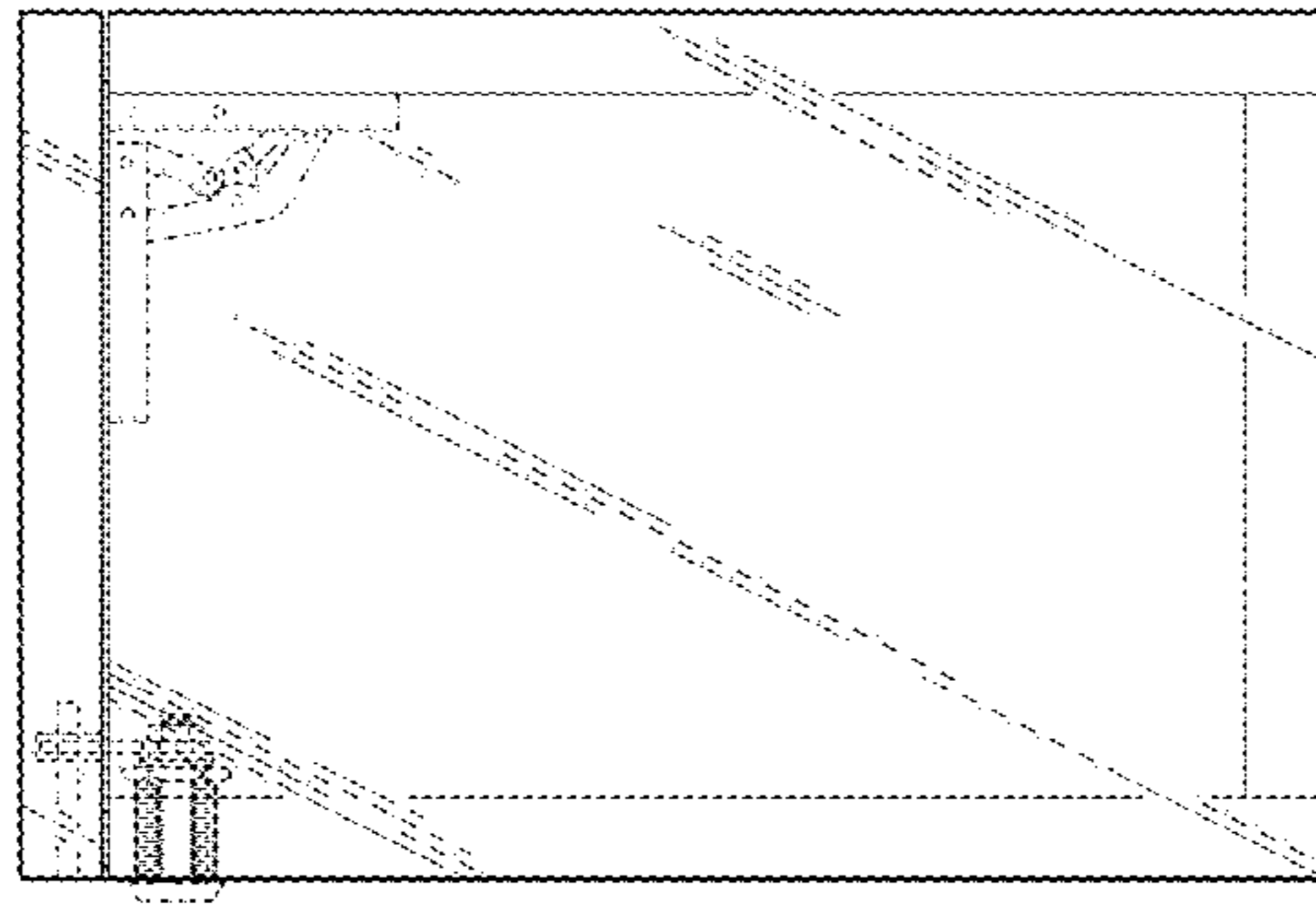


FIG. 6

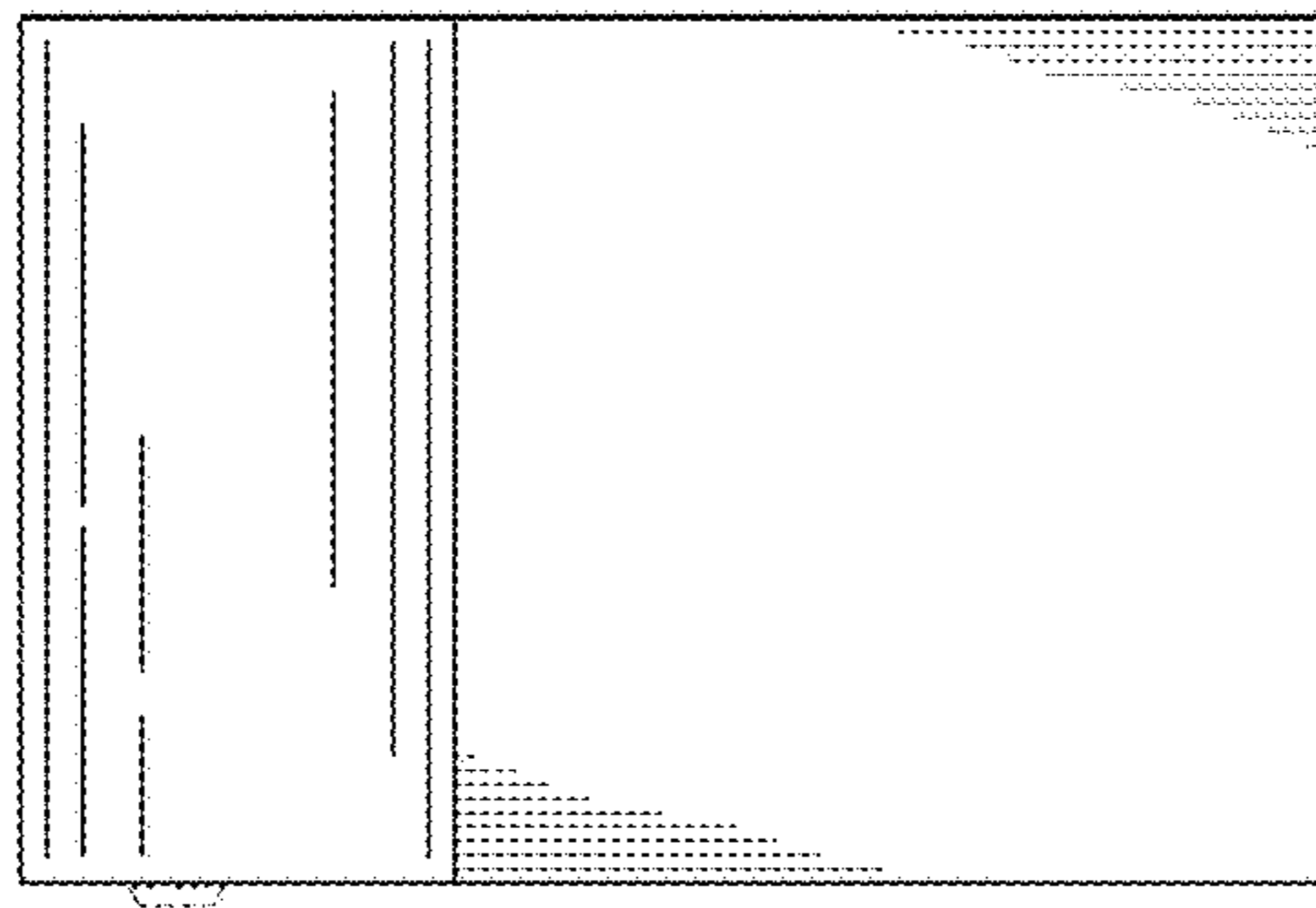


FIG. 5