



US00D879402S

(12) **United States Design Patent**  
**Fritz**

(10) **Patent No.:** **US D879,402 S**  
(45) **Date of Patent:** **\*\* Mar. 24, 2020**

- (54) **ELASTIC BREAK BRAKE**
- (71) Applicant: **Curt G. Joa, Inc.**, Sheboygan Falls, WI (US)
- (72) Inventor: **Jeffrey W. Fritz**, Plymouth, WI (US)
- (73) Assignee: **Curt G. Joa, Inc.**, Sheboygan Falls, WI (US)

(\*\*) Term: **15 Years**

(21) Appl. No.: **29/603,634**

(22) Filed: **May 11, 2017**

(51) **LOC (12) Cl.** ..... **12-05**

(52) **U.S. Cl.**  
USPC ..... **D34/29; D34/35**

(58) **Field of Classification Search**  
 USPC ..... D34/28, 29, 35; 156/178, 161, 436, 265, 156/250, 252, 256, 259, 263, 264, 158; 53/462; 264/284; D8/16, 19, 20, 33, 35, D8/46, 47, 48, 90, 91, 92, 63, 70; D15/140, 139, 123, 28, 29, 66, 72, 78; 30/167, 155, 168; D2/642; 15/105; 29/238; 42/139, 133; 385/137; 428/167; 223/114, 115; 72/479  
 CPC ..... B65H 57/14; B65H 63/024  
 See application file for complete search history.

(56) **References Cited**

**U.S. PATENT DOCUMENTS**

- 10,016 A \* 9/1853 Sumner ..... A47G 25/80 223/115
- D54,308 S \* 12/1919 Dencker ..... D8/89
- 1,908,019 A \* 5/1933 Howard ..... F41G 1/17 42/139
- 2,525,174 A \* 10/1950 Johnstone ..... A47G 25/80 223/114
- 2,688,134 A \* 9/1954 Kane ..... B25C 11/00 72/479
- 3,929,297 A 12/1975 Zumfeld

- 4,276,113 A \* 6/1981 Carlsen ..... G02B 6/255 156/158
- 4,889,330 A \* 12/1989 McSwain ..... B25B 5/10 269/95
- 5,273,807 A \* 12/1993 Endo ..... H01L 21/3083 428/167
- 5,594,982 A \* 1/1997 Dobbeck ..... B23Q 3/186 29/238
- 5,694,660 A \* 12/1997 Rachwalski ..... A63B 57/60 15/105

(Continued)

**FOREIGN PATENT DOCUMENTS**

- DE 102007063209 A1 6/2009
- WO WO2001072237 10/2001

**OTHER PUBLICATIONS**

“Hipshot Stainles Steel Saddle Inserts, Notched.”, www.long-mcquade.com. Nov. 22, 2019. Shown in p. 1, Item 5KSN.\*

(Continued)

*Primary Examiner* — Gino Colan  
(74) *Attorney, Agent, or Firm* — Ziolkowski Patent Solutions Group, SC

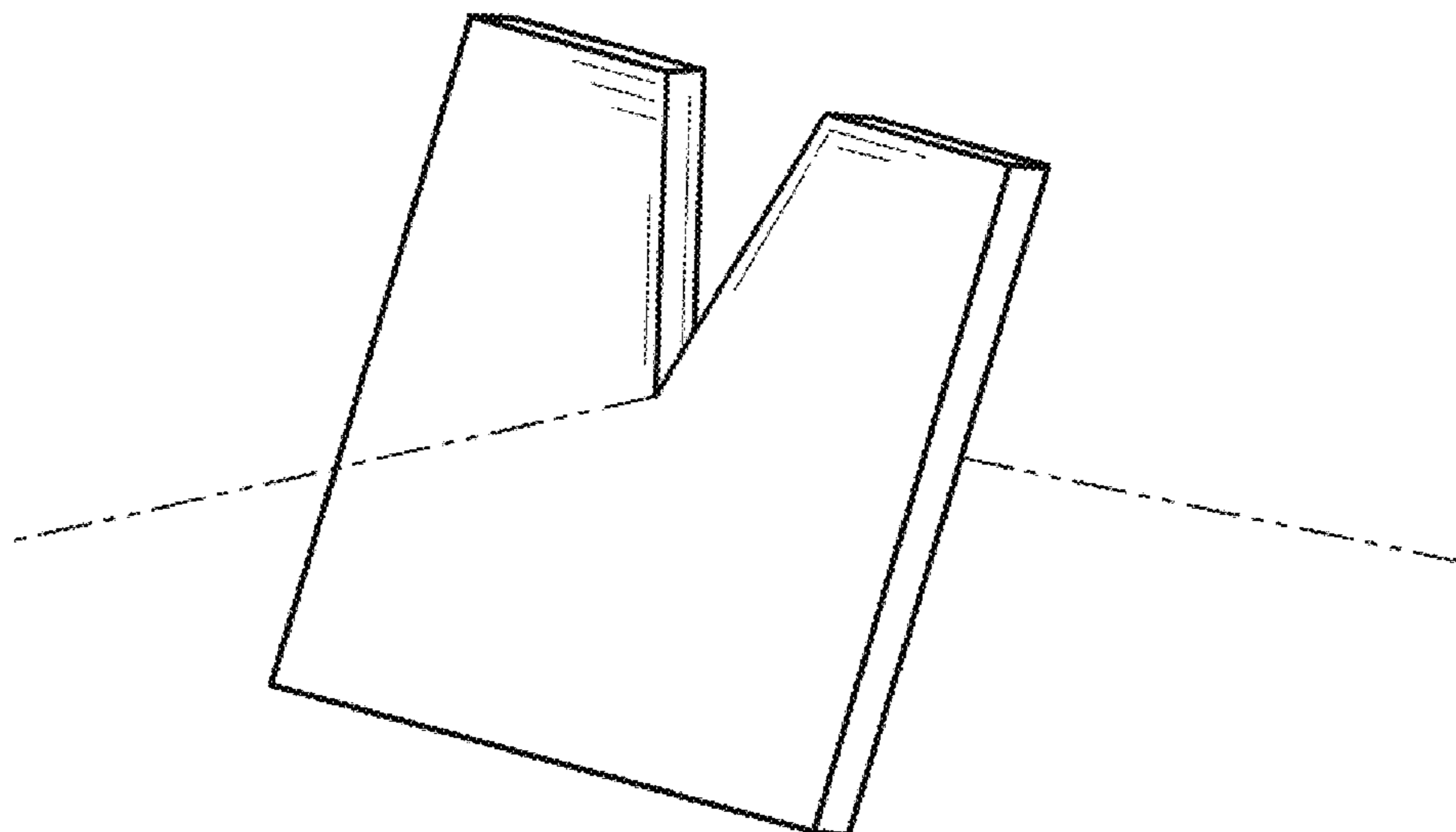
(57) **CLAIM**

The ornamental design for an elastic break brake, as shown and described.

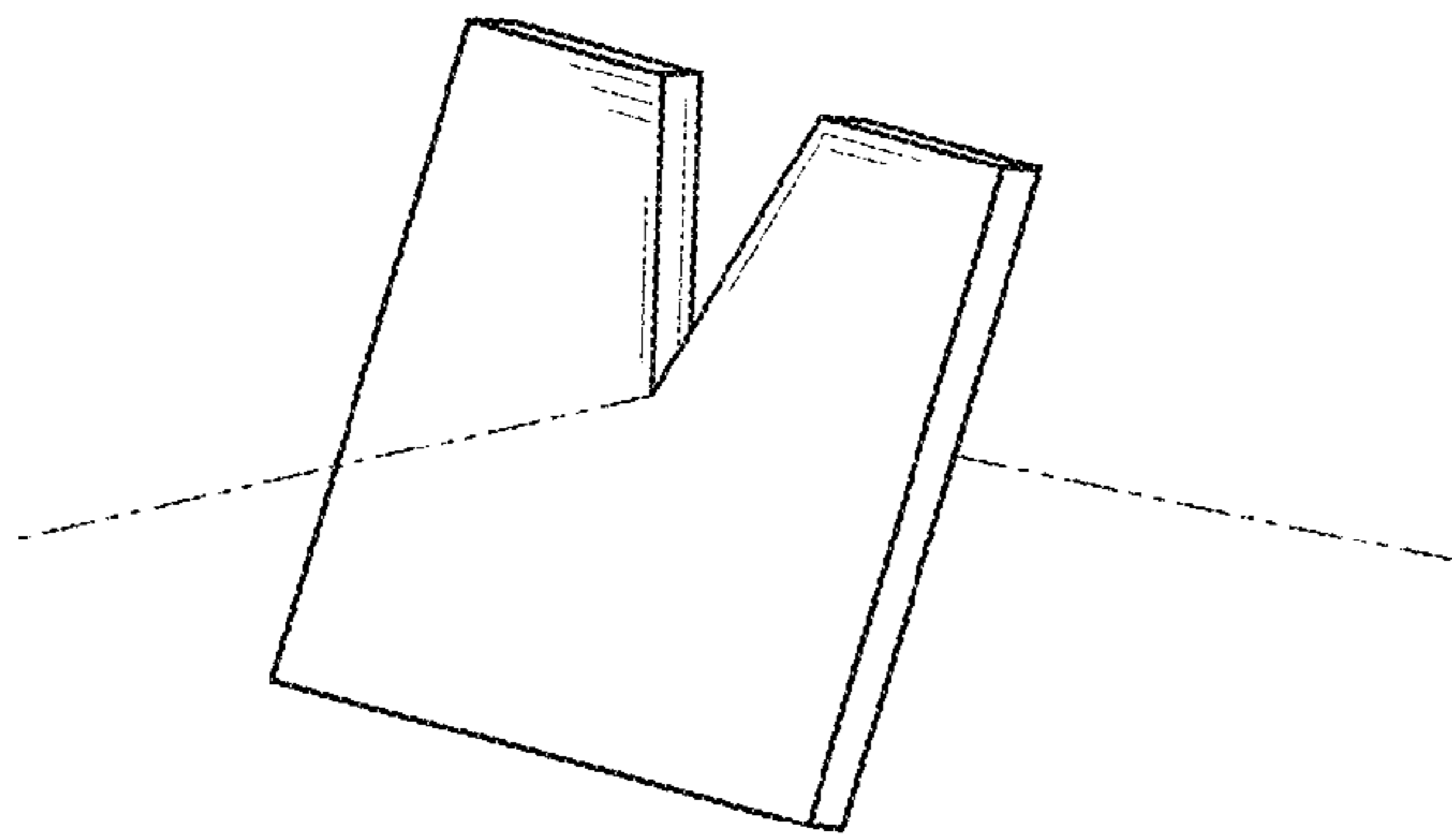
**DESCRIPTION**

FIG. 1 is a perspective view of the elastic break brake; FIG. 2 is a front elevation view thereof; FIG. 3 is a back elevation thereof; FIG. 4 is right side elevation view thereof; FIG. 5 is a left side elevation view thereof; FIG. 6 is a top plan view thereof; and, FIG. 7 is a bottom plan view thereof. The broken lines in the drawings represent unclaimed subject matter and form no part of the claim.

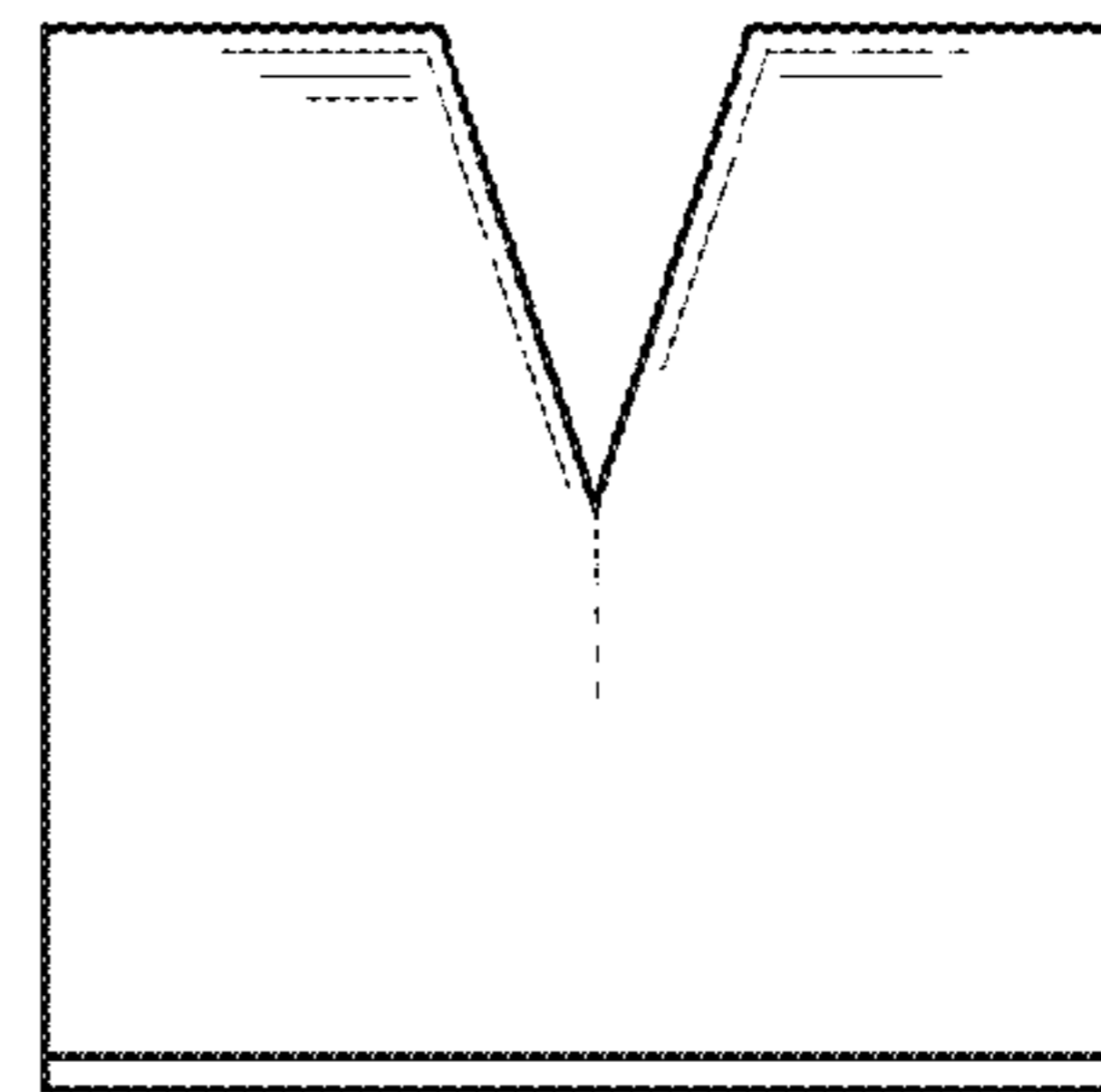
**1 Claim, 1 Drawing Sheet**



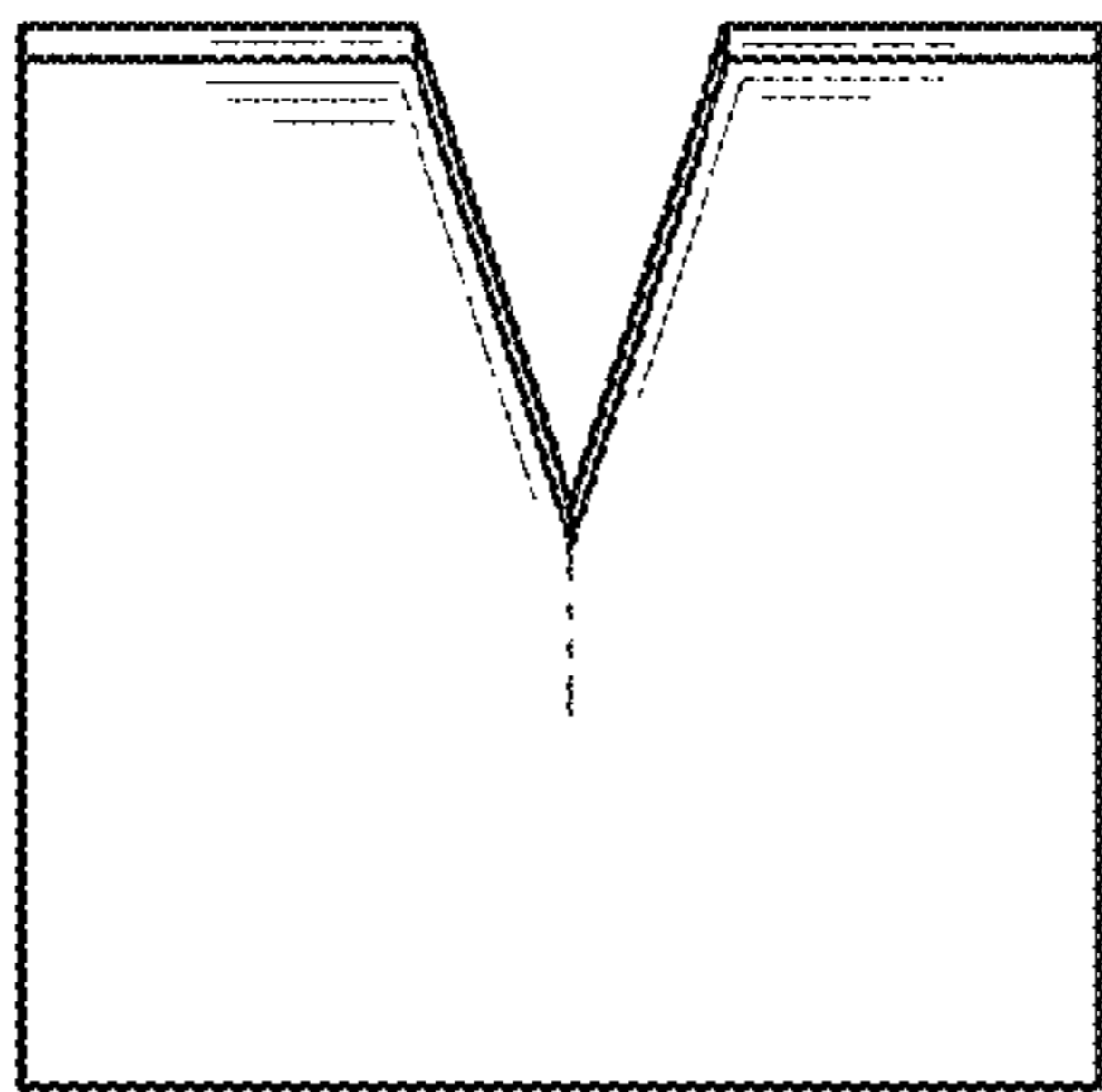




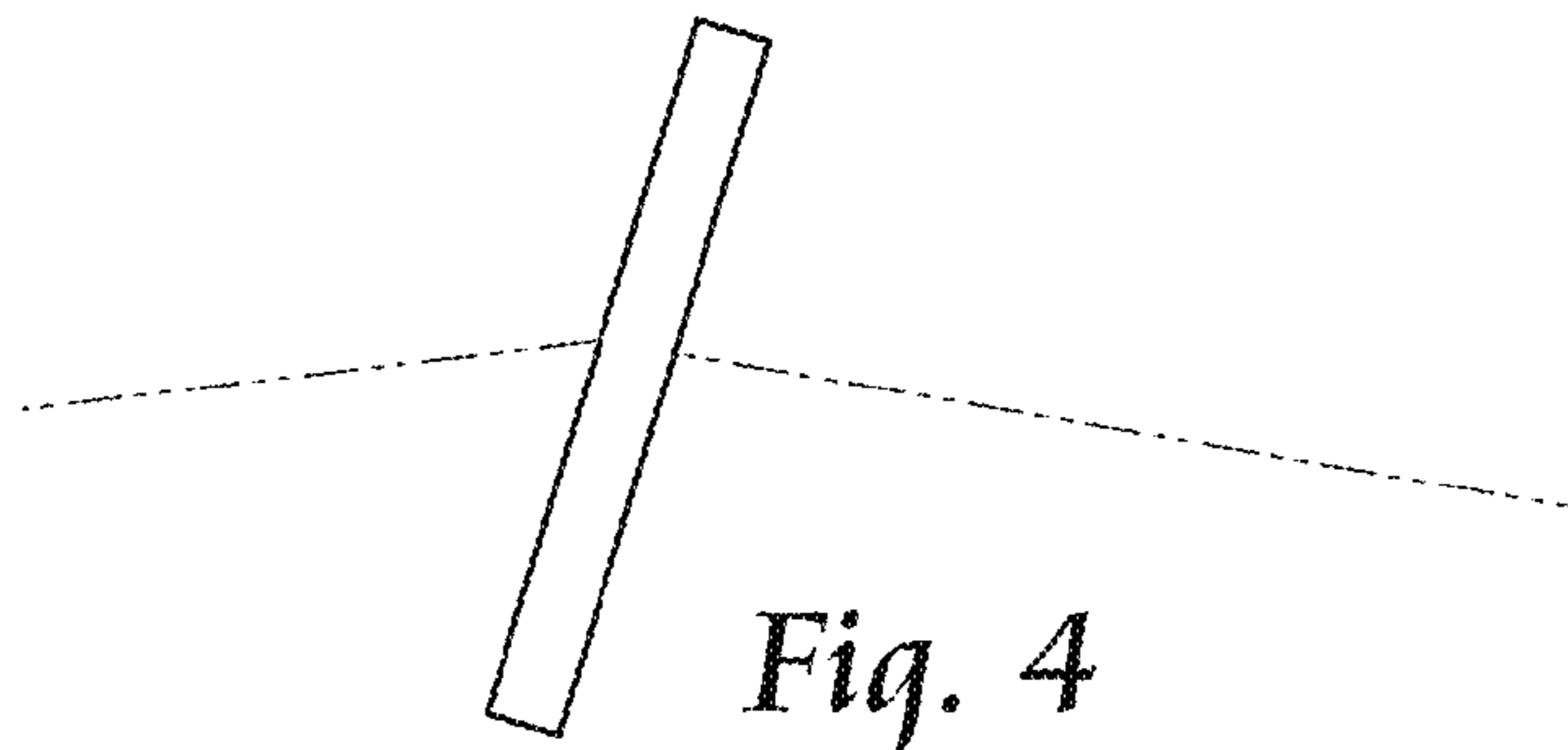
*Fig. 1*



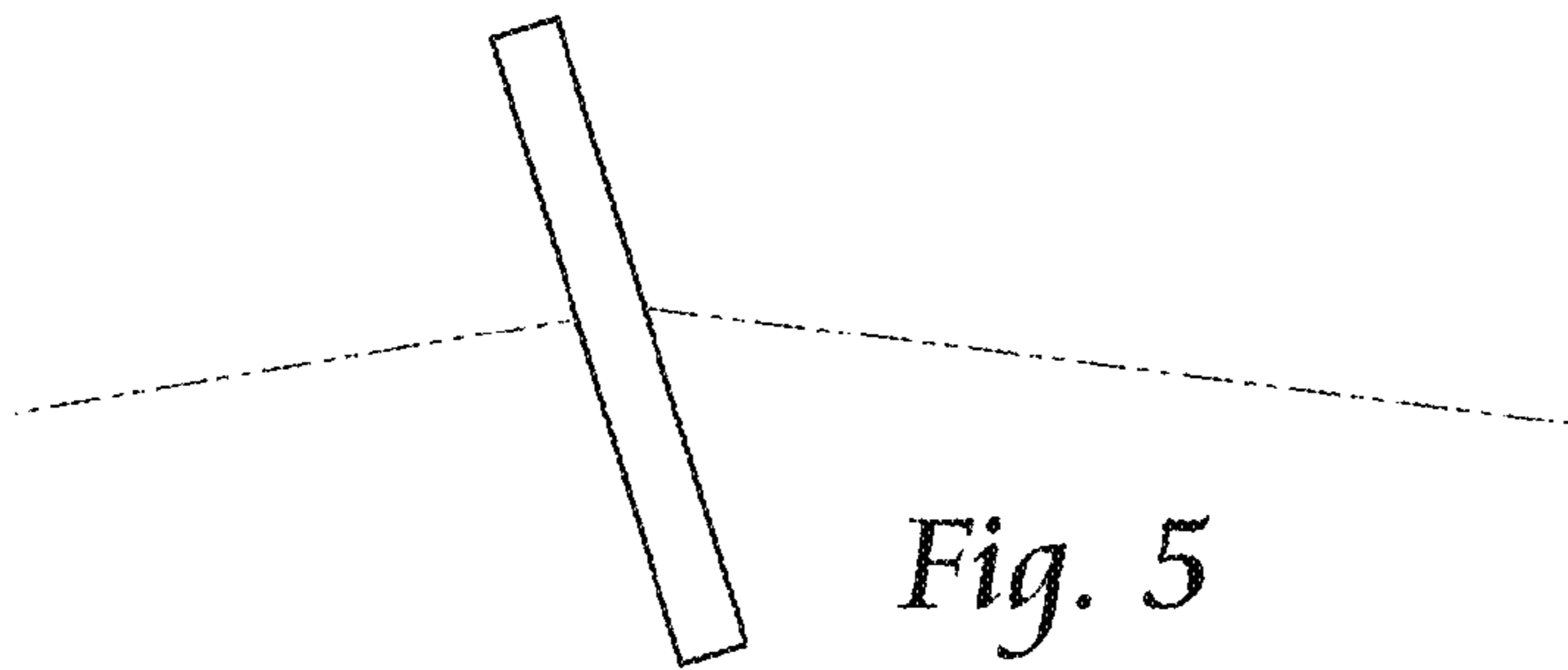
*Fig. 2*



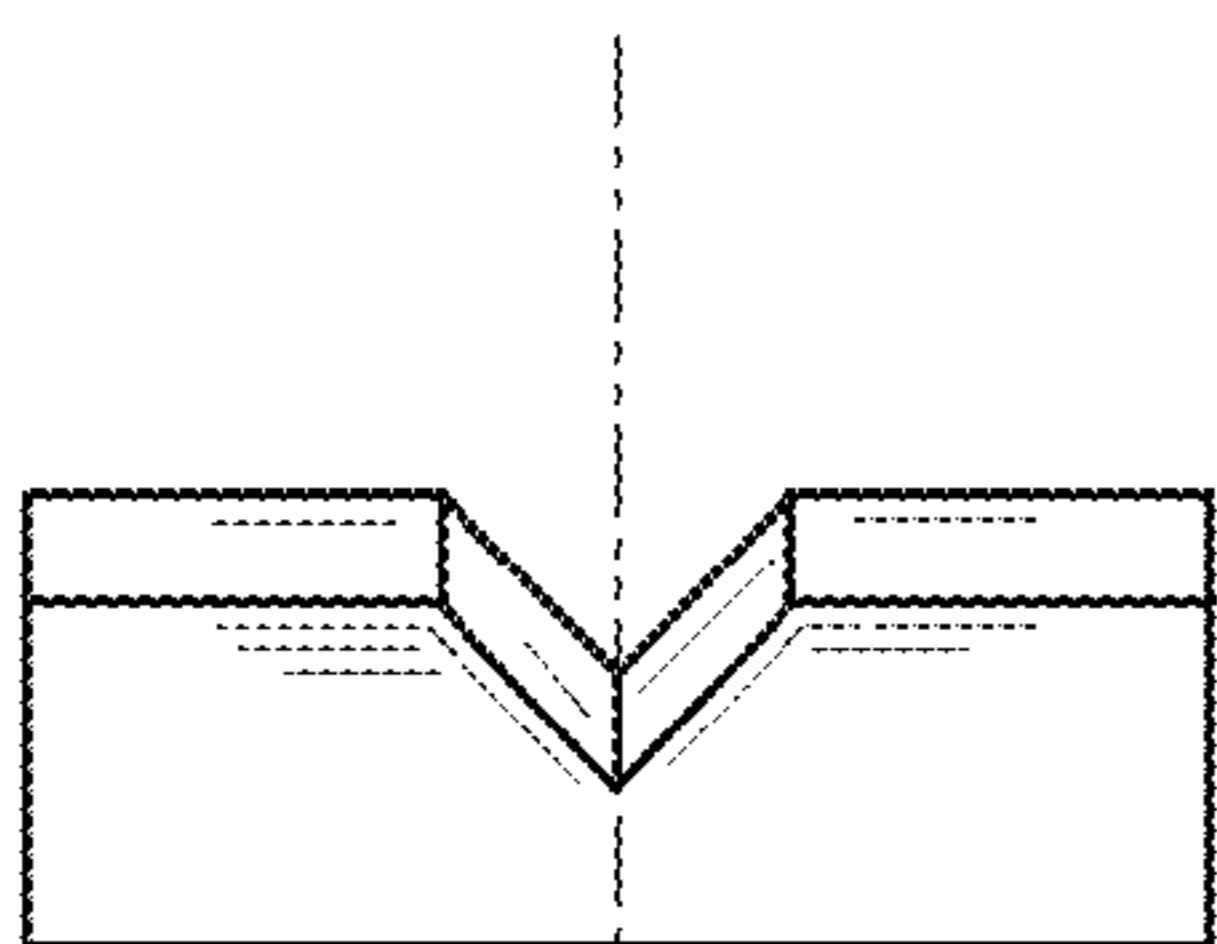
*Fig. 3*



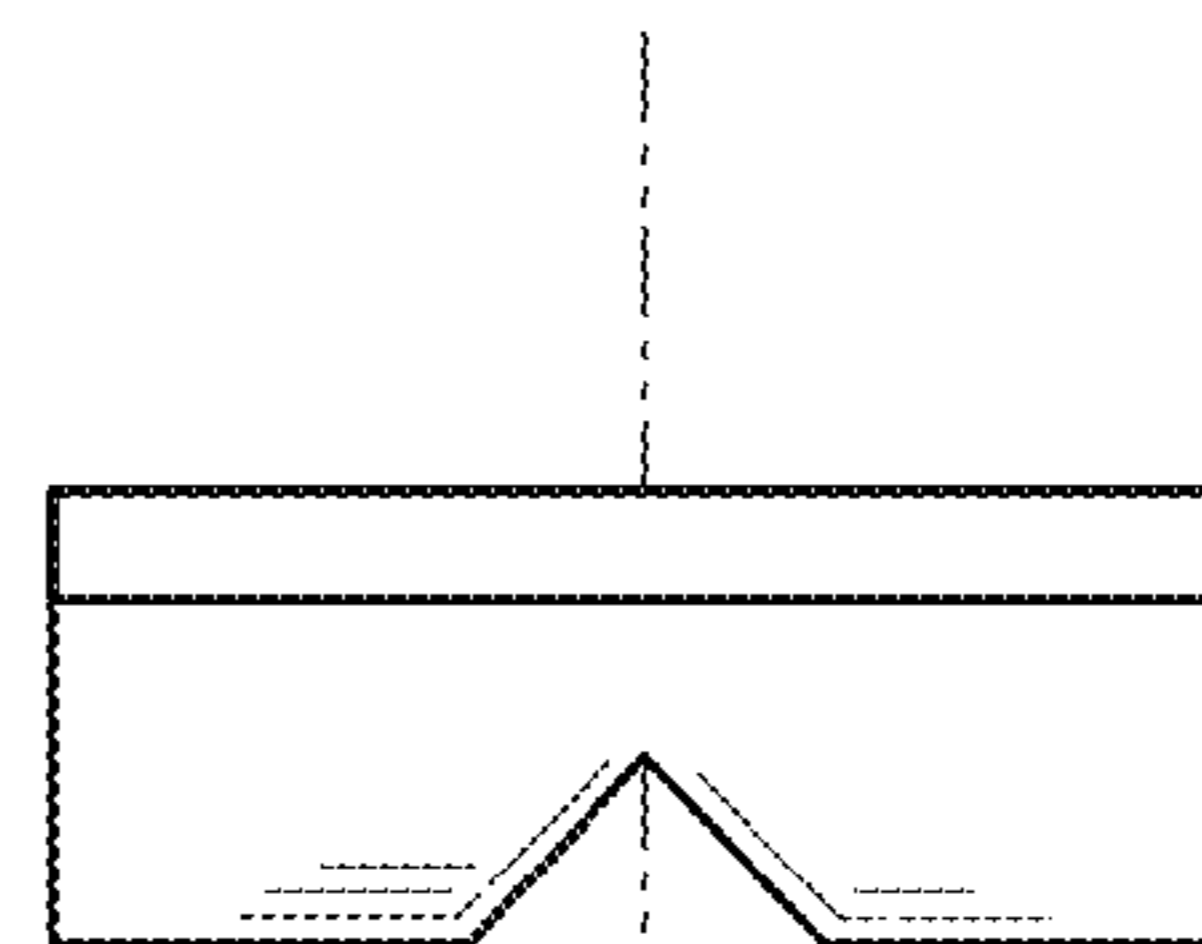
*Fig. 4*



*Fig. 5*



*Fig. 6*



*Fig. 7*