



US00D879401S

(12) **United States Design Patent** (10) **Patent No.:** **US D879,401 S**  
**Ecklund et al.** (45) **Date of Patent:** **\*\* Mar. 24, 2020**

(54) **AIR PUMP CART**

(71) Applicant: **SAGE PRODUCTS, LLC**, Cary, IL (US)

(72) Inventors: **Brian J. Ecklund**, Lakemoor, IL (US);  
**David P. Beck**, Crystal Lake, IL (US)

(73) Assignee: **Sage Products, LLC**, Cary, IL (US)

(\*\*) Term: **15 Years**

(21) Appl. No.: **29/621,944**

(22) Filed: **Oct. 12, 2017**

(51) **LOC (12) Cl.** ..... **12-02**

(52) **U.S. Cl.**  
USPC ..... **D34/12**

(58) **Field of Classification Search**  
USPC ..... D34/12, 17; D23/225; D15/7; D32/15,  
D32/16

CPC ..... B62B 3/00; B62B 3/14; B62B 3/1496;  
B62B 3/1476; B62B 3/16; B62B 3/1472;  
B62B 3/02; B62B 3/10; B62B 3/008;  
B62B 3/002; B62B 1/00; B62B 2501/067  
See application file for complete search history.

(56) **References Cited**

U.S. PATENT DOCUMENTS

D500,575 S *	1/2005	Lucas	.....	D34/12
D668,829 S *	10/2012	Ono	.....	D34/12
D669,651 S *	10/2012	Ono	.....	D34/12
D715,511 S *	10/2014	Okwumabua	.....	D34/12
D732,258 S *	6/2015	Garcia	.....	D34/12

D844,276 S *	3/2019	Schlenker	.....	D34/12
2006/0053579 A1 *	3/2006	Bruno	.....	A47L 13/20 15/257.01
2015/0227127 A1 *	8/2015	Miller	.....	G05B 19/042 700/244

OTHER PUBLICATIONS

U.S. Appl. No. 29/607,897, filed Jun. 16, 2017, Sage Products, LLC. Modo, Inc., Flo Medical Stand taken from Industrial Designers Society of America website: <http://www.idsa.org/awards/idea/environments/flo>, available at least as early as Oct. 12, 2017, 2 pages.

\* cited by examiner

*Primary Examiner* — Cynthia Ramirez

(74) *Attorney, Agent, or Firm* — Foley & Lardner LLP

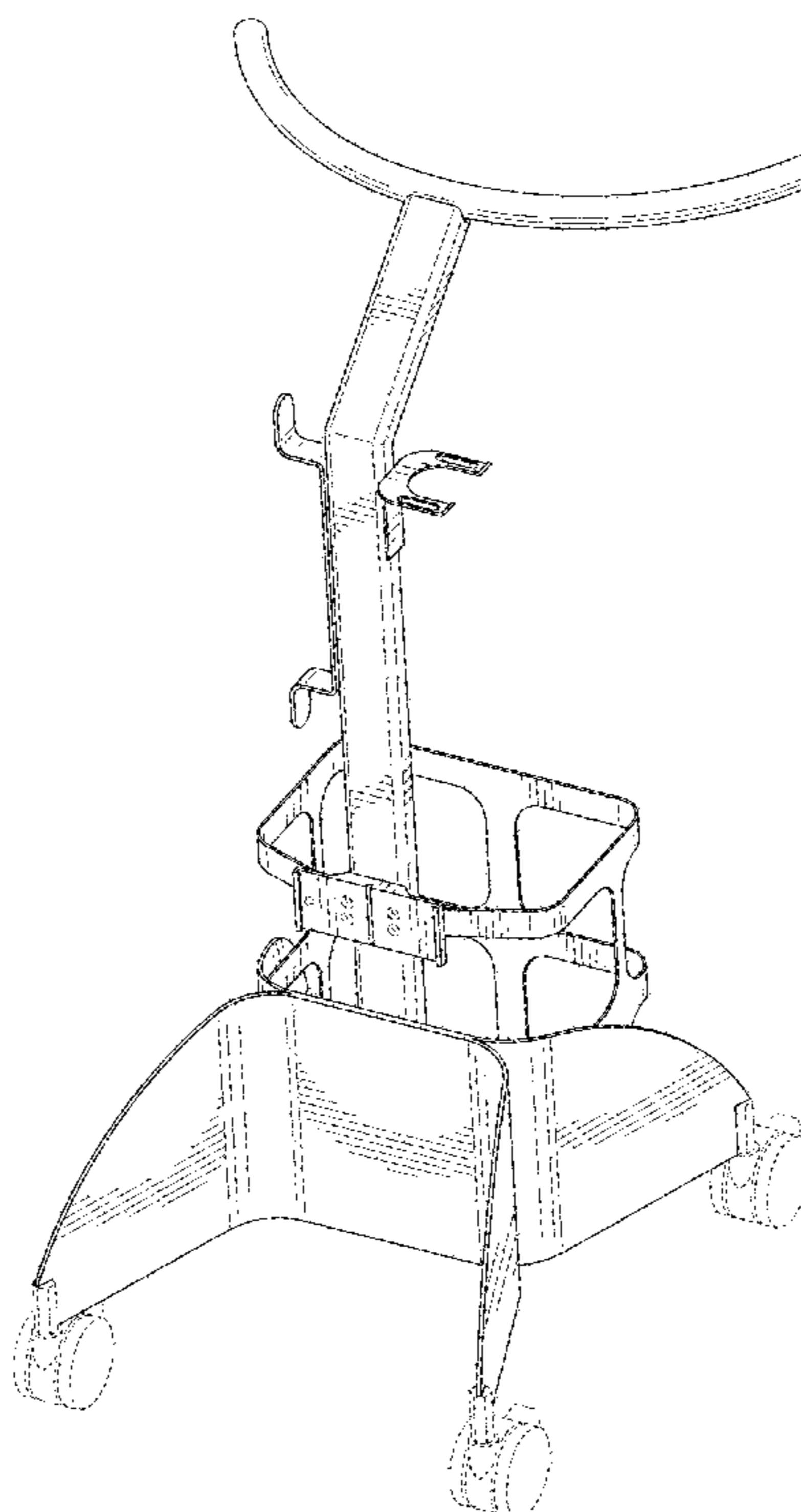
(57) **CLAIM**

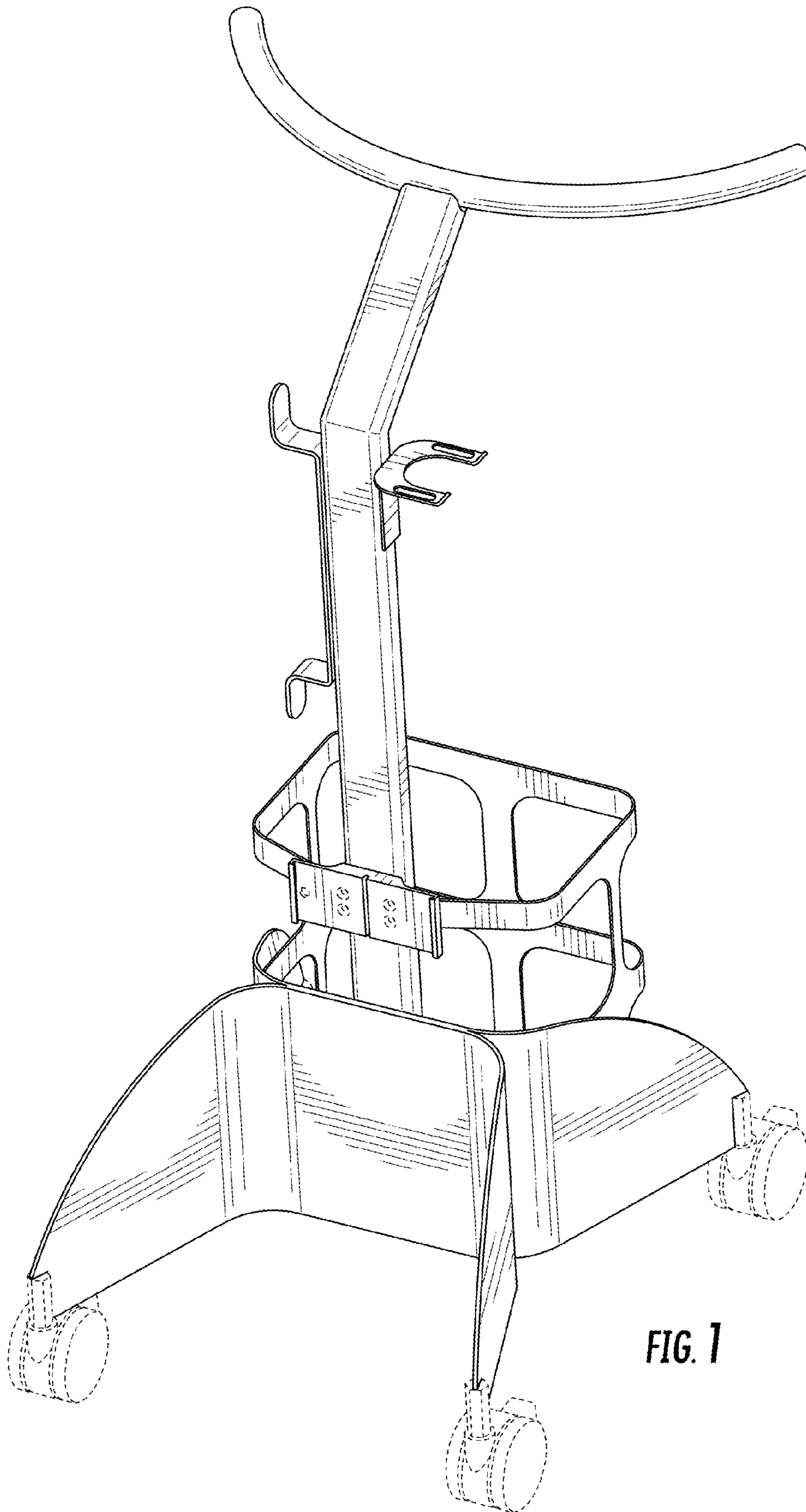
We claim the ornamental design for an air pump cart, as shown and described.

**DESCRIPTION**

FIG. 1 is a front perspective view of an air pump cart showing our new design;  
 FIG. 2 is a front view of the air pump cart of FIG. 1;  
 FIG. 3 is a rear view of the air pump cart of FIG. 1;  
 FIG. 4 is a right side view of the air pump cart of FIG. 1;  
 FIG. 5 is a left side view of the air pump cart of FIG. 1;  
 FIG. 6 is a top view of the air pump cart of FIG. 1; and  
 FIG. 7 is a bottom view of the air pump cart of FIG. 1.  
 The broken lines in the drawings are for the purpose of illustrating portions of the air pump cart which form no part of the claimed design.

**1 Claim, 7 Drawing Sheets**





**FIG. 1**

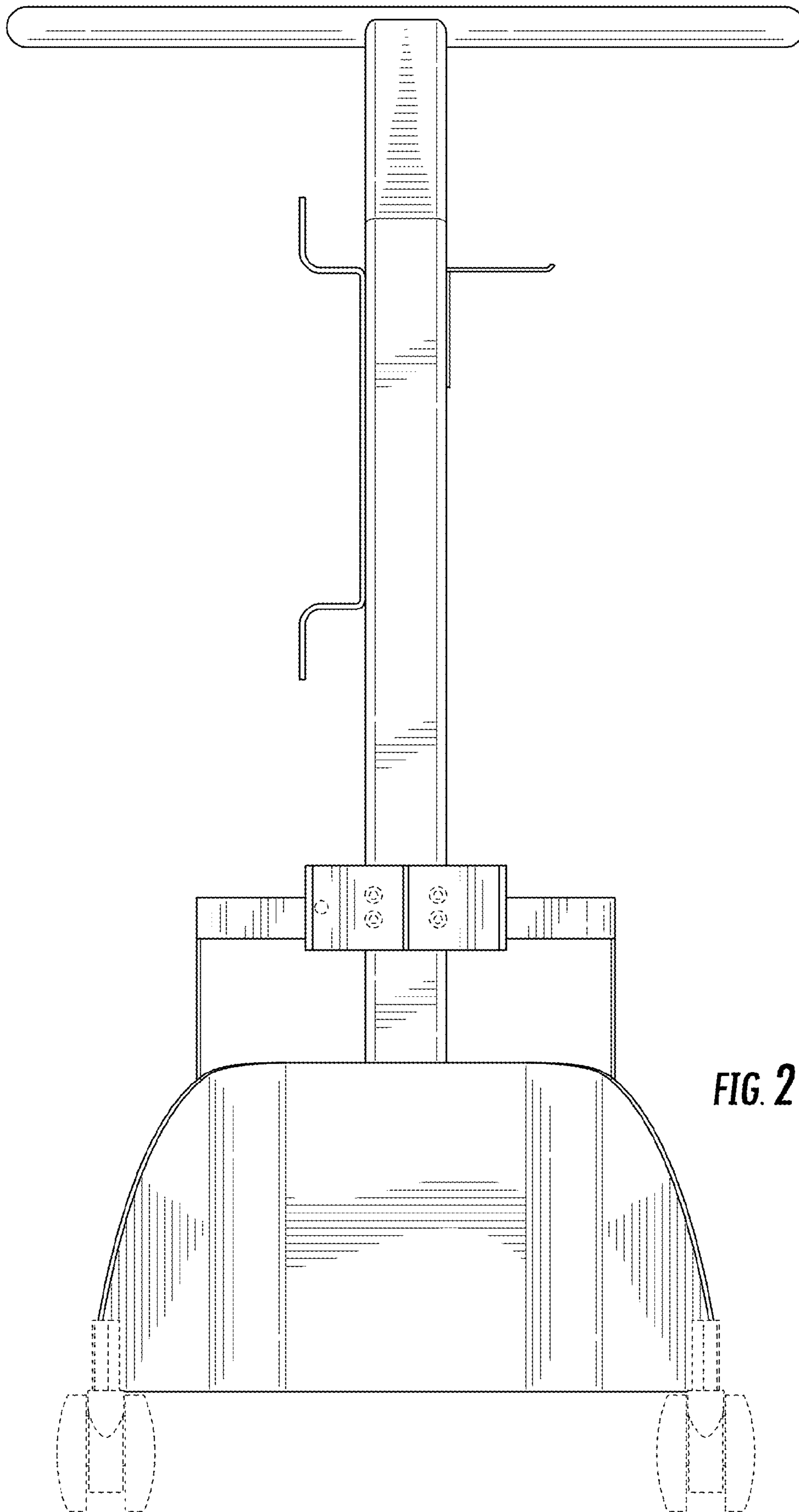


FIG. 2

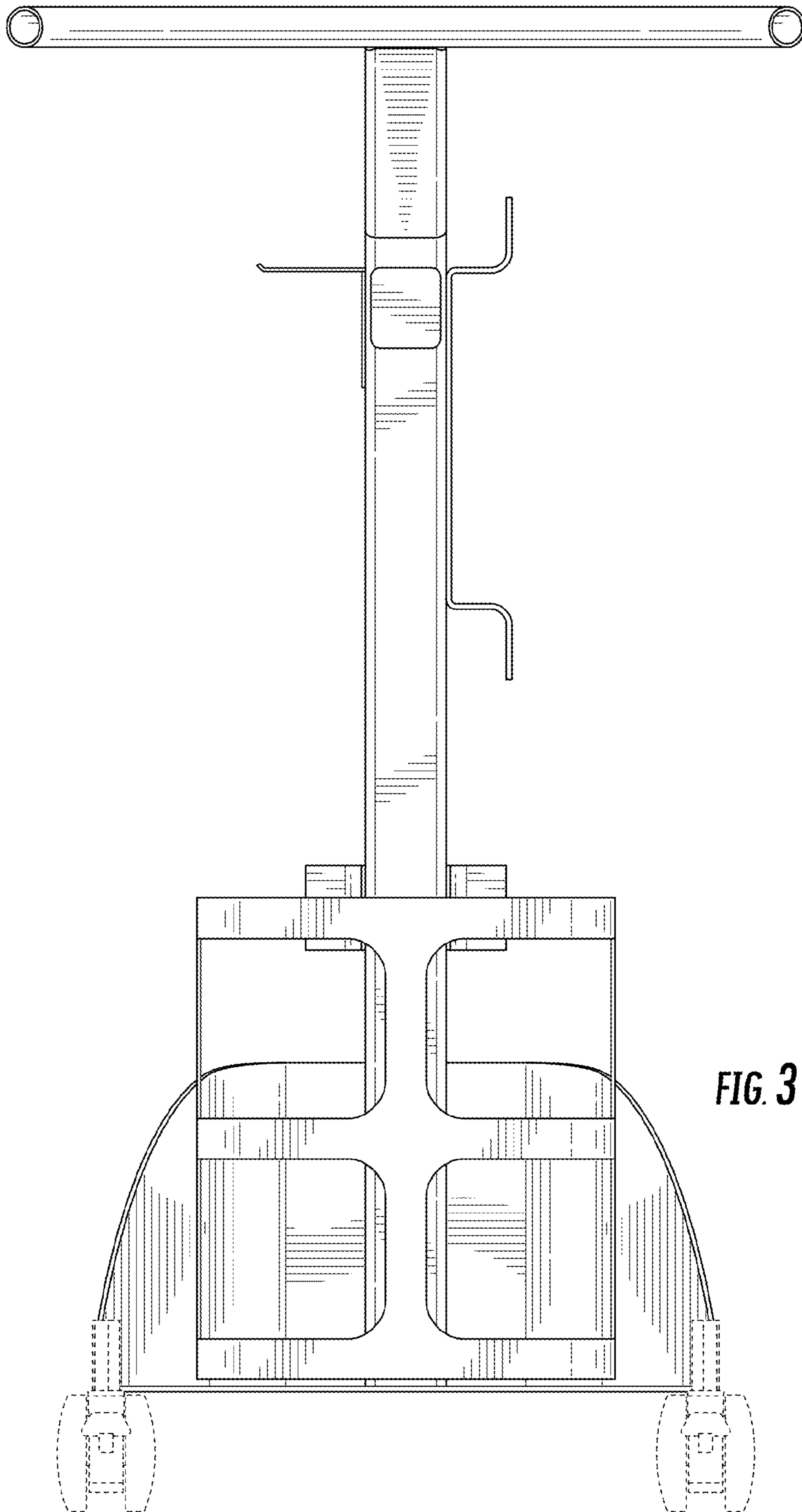


FIG. 3

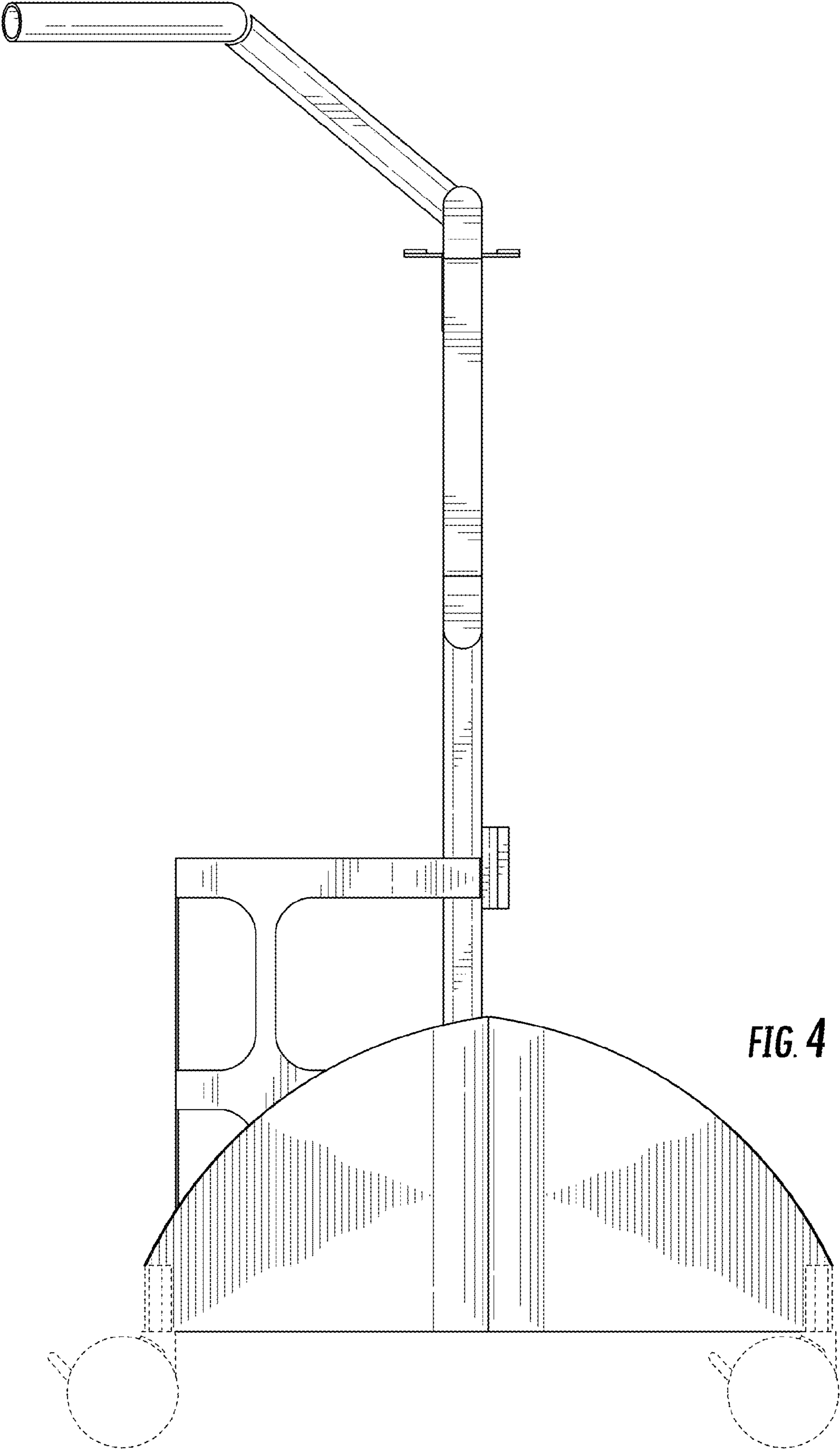


FIG. 4

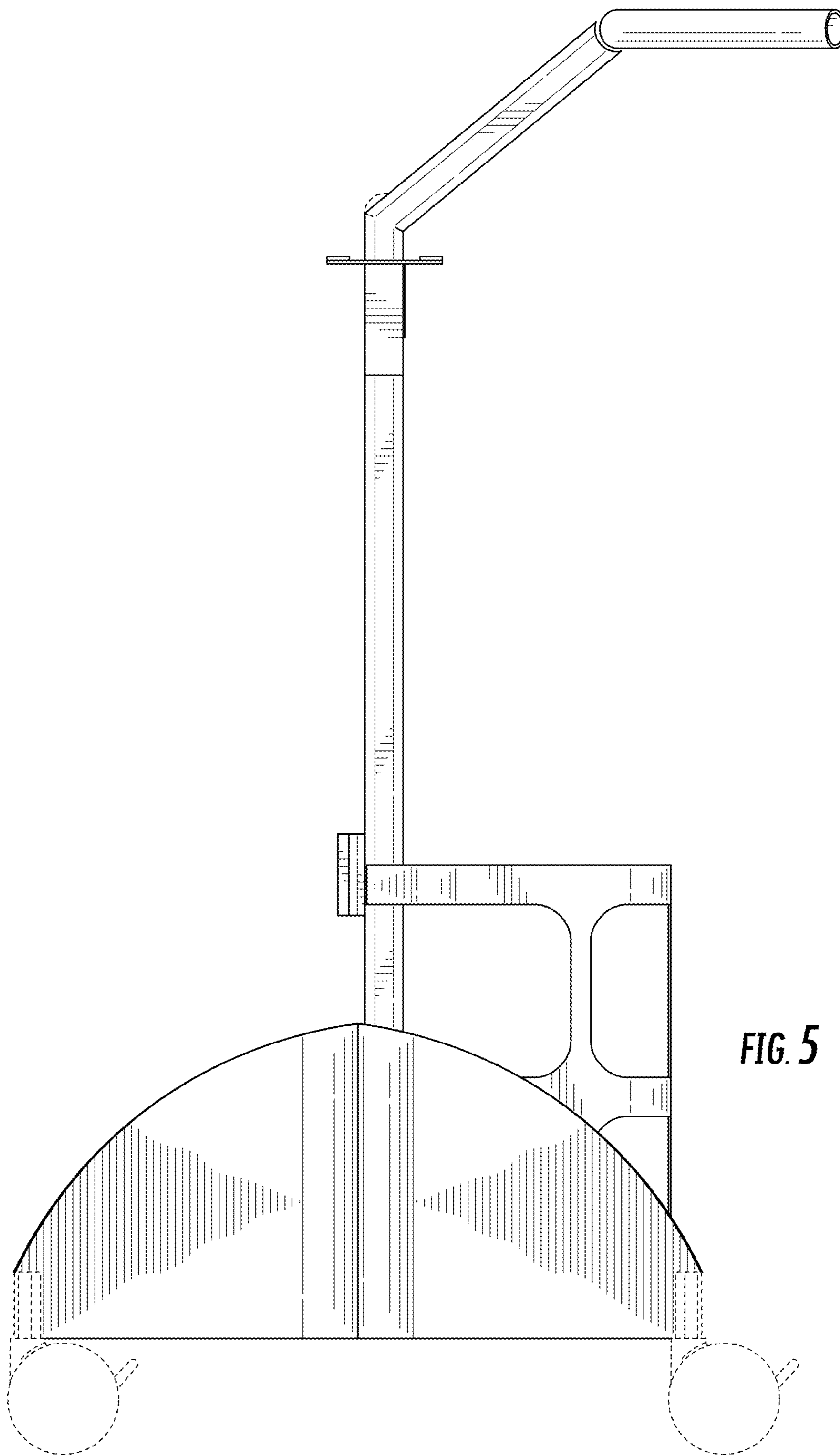


FIG. 5

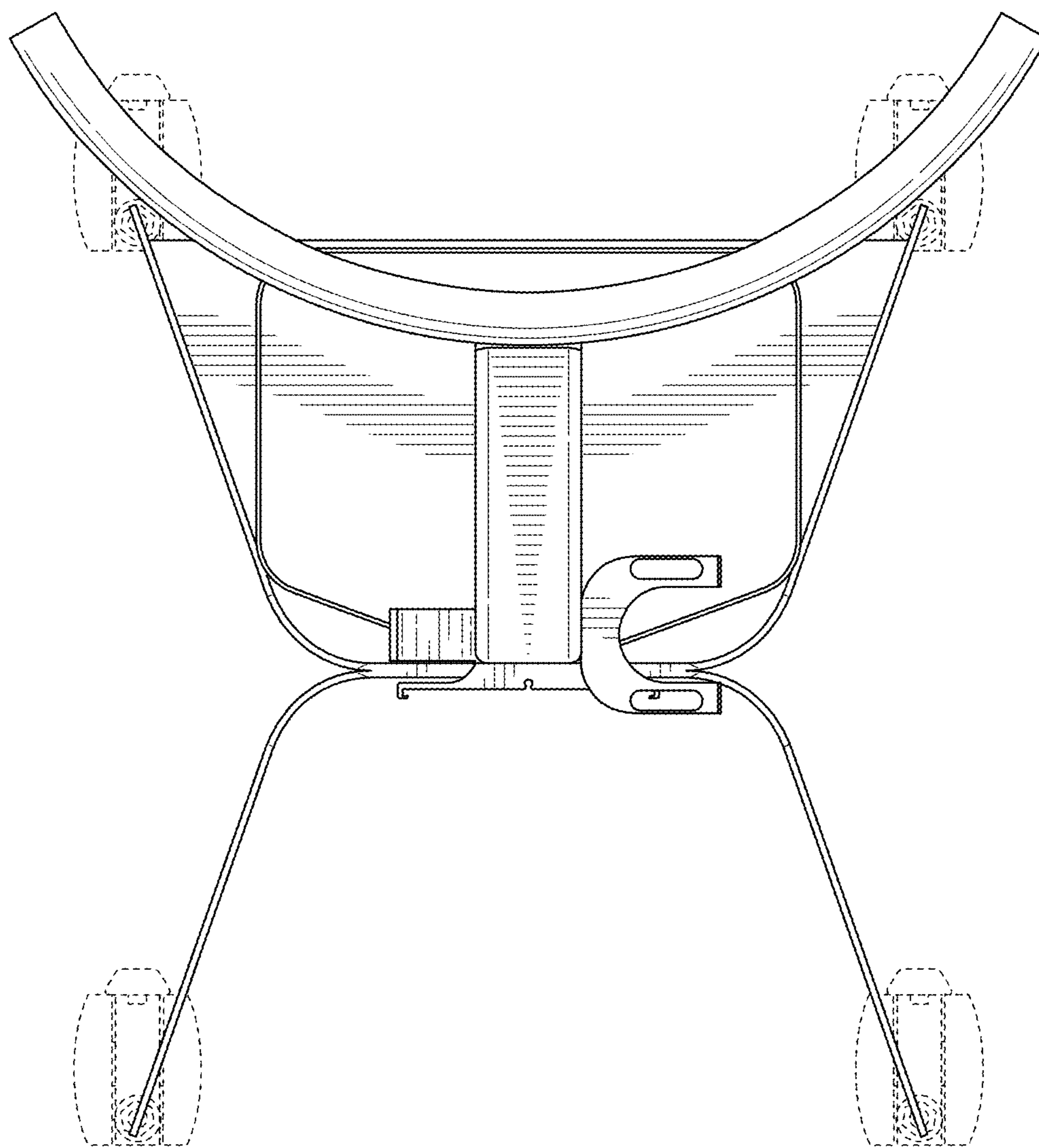


FIG. 6

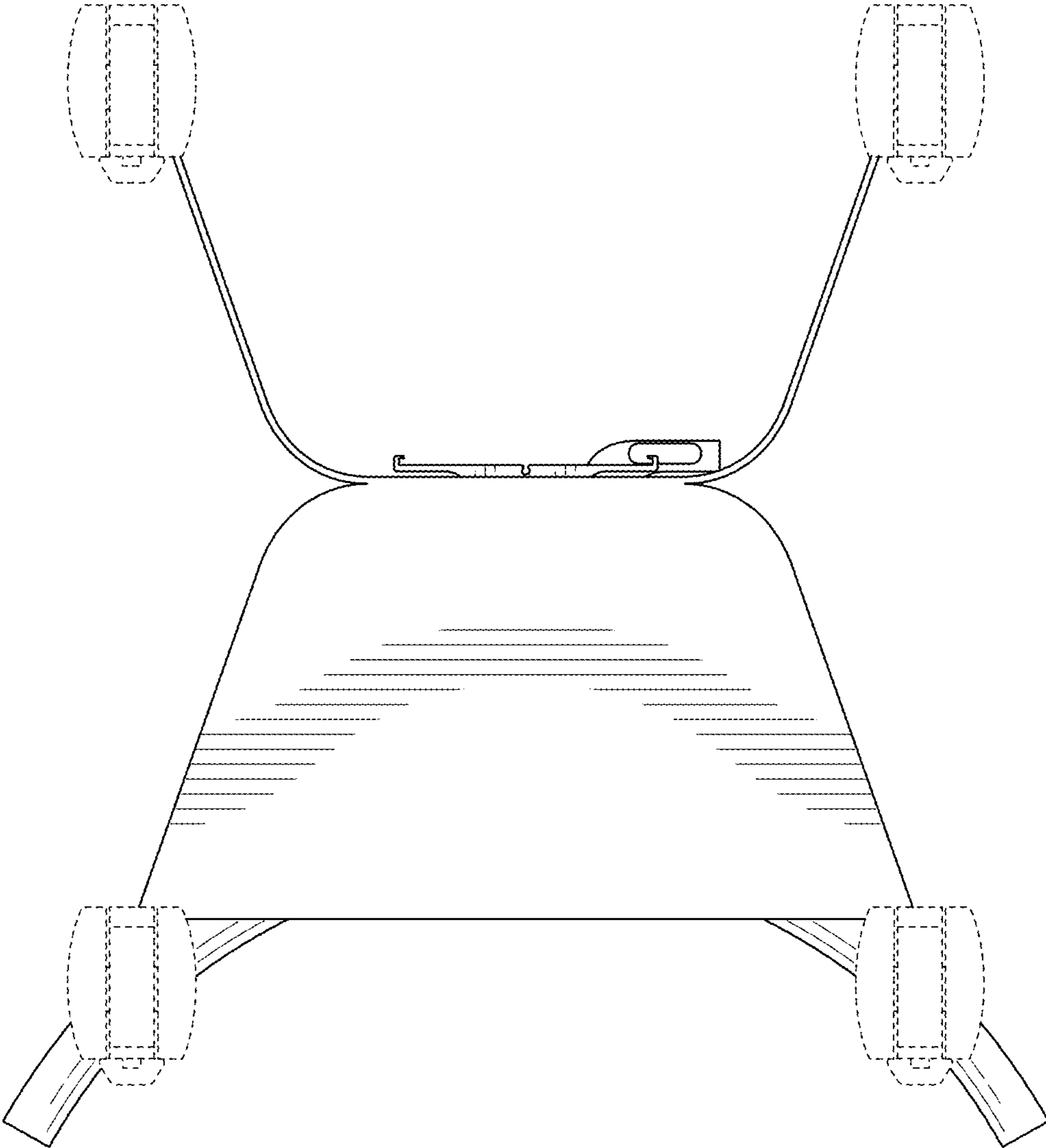


FIG. 7