



US00D879399S

(12) **United States Design Patent**  
**De Jesus**

(10) **Patent No.:** **US D879,399 S**

(45) **Date of Patent:** **\*\* Mar. 24, 2020**

(54) **ROTARY CLOTHESLINE CENTRAL HUB**

(71) Applicant: **Dayton Tooling Pty. Ltd.**, Preston, VIC (AU)

(72) Inventor: **Cerewin De Jesus**, Preston (AU)

(73) Assignee: **Dayton Tooling Pty. Ltd.**, Preston, VIC (AU)

(\*\*) Term: **15 Years**

(21) Appl. No.: **29/605,848**

(22) Filed: **May 31, 2017**

(30) **Foreign Application Priority Data**

Dec. 1, 2016 (AU) ..... 201616722

(51) **LOC (12) Cl.** ..... **07-05**

(52) **U.S. Cl.**  
USPC ..... **D32/60**

(58) **Field of Classification Search**

USPC ..... D32/60-65; D8/349, 354, 380, 382, 356

CPC ..... D06F 53/00; D06F 53/02; D06F 53/04;  
D06F 57/02; D06F 57/04; D06F 57/06

See application file for complete search history.

(56) **References Cited**

**U.S. PATENT DOCUMENTS**

2,547,777 A \* 4/1951 Ray ..... D06F 53/045  
242/378  
D167,617 S \* 9/1952 Cohen ..... D32/60  
2,914,187 A \* 11/1959 Mulholland ..... D06F 53/045  
211/119.1

D310,591 S \* 9/1990 Jeffus ..... D32/60  
D387,528 S \* 12/1997 Wong ..... D32/60  
D394,927 S \* 6/1998 Doyle ..... D32/60  
D397,834 S \* 9/1998 Ho ..... D32/60  
D584,937 S \* 1/2009 Kovacik ..... D8/358  
D648,499 S \* 11/2011 Machacs ..... D32/60  
D658,838 S \* 5/2012 Machacs ..... D32/60  
D668,133 S \* 10/2012 Kyle ..... D8/358  
D686,793 S \* 7/2013 Machacs ..... D32/60  
D748,969 S \* 2/2016 Siboni ..... D8/358  
D755,040 S \* 5/2016 Ito ..... D8/358  
D774,383 S \* 12/2016 Kennedy ..... D8/358  
D778,712 S \* 2/2017 Kennedy ..... D8/358  
D790,958 S \* 7/2017 Chou ..... D8/358

\* cited by examiner

*Primary Examiner* — Michelle E. Wilson

(74) *Attorney, Agent, or Firm* — Steven & Showalter, L.L.P.

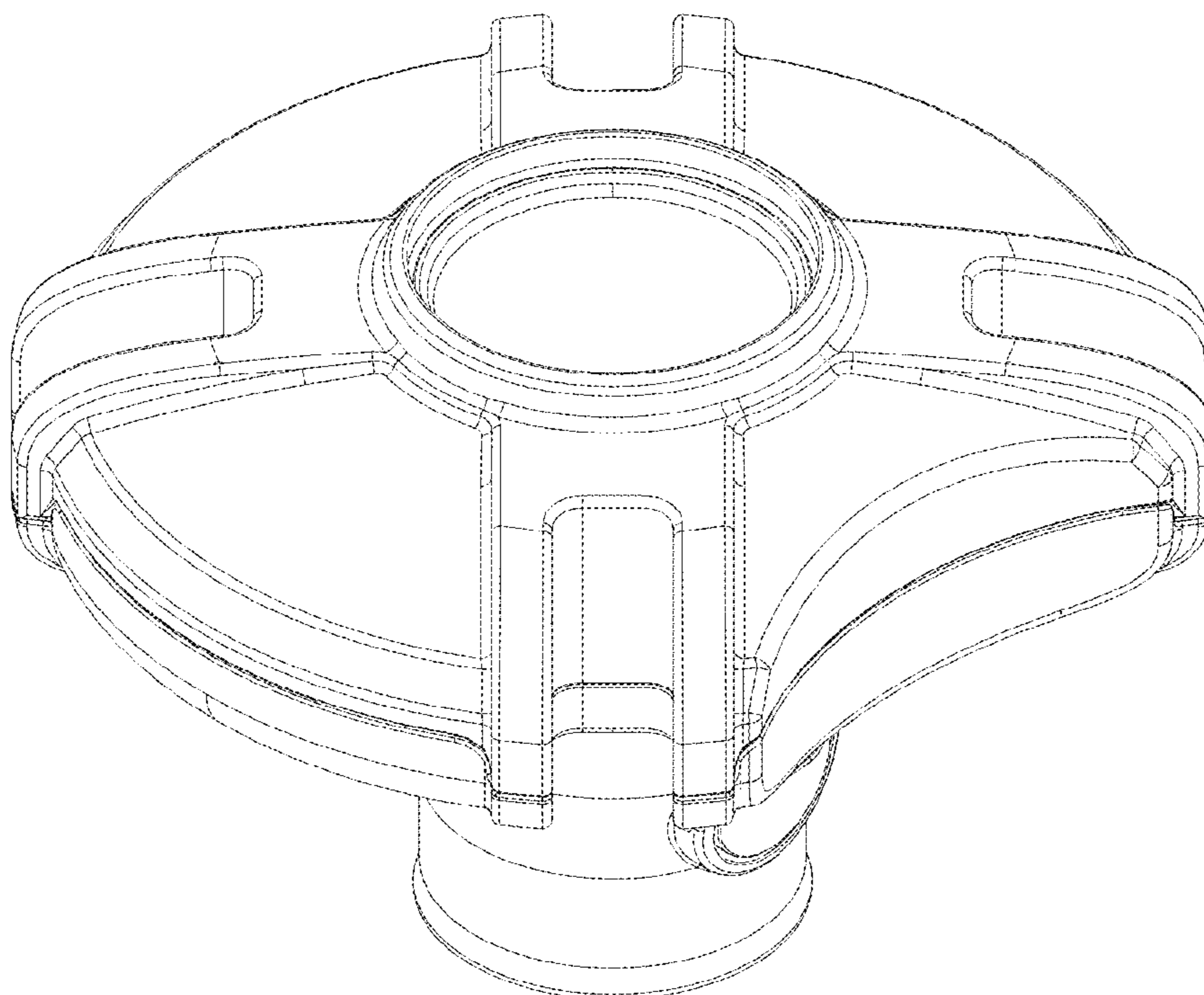
(57) **CLAIM**

The ornamental design for a rotary clothesline central hub, as shown.

**DESCRIPTION**

FIG. 1 is a perspective view of a rotary clothesline central hub in accordance with the present invention;  
FIG. 2 is a top view thereof;  
FIG. 3 is a bottom view thereof;  
FIG. 4 is a side view thereof taken along view line 4 of FIG. 2; and,  
FIG. 5 is a side view thereof taken along view line 5 of FIG. 2.

**1 Claim, 5 Drawing Sheets**



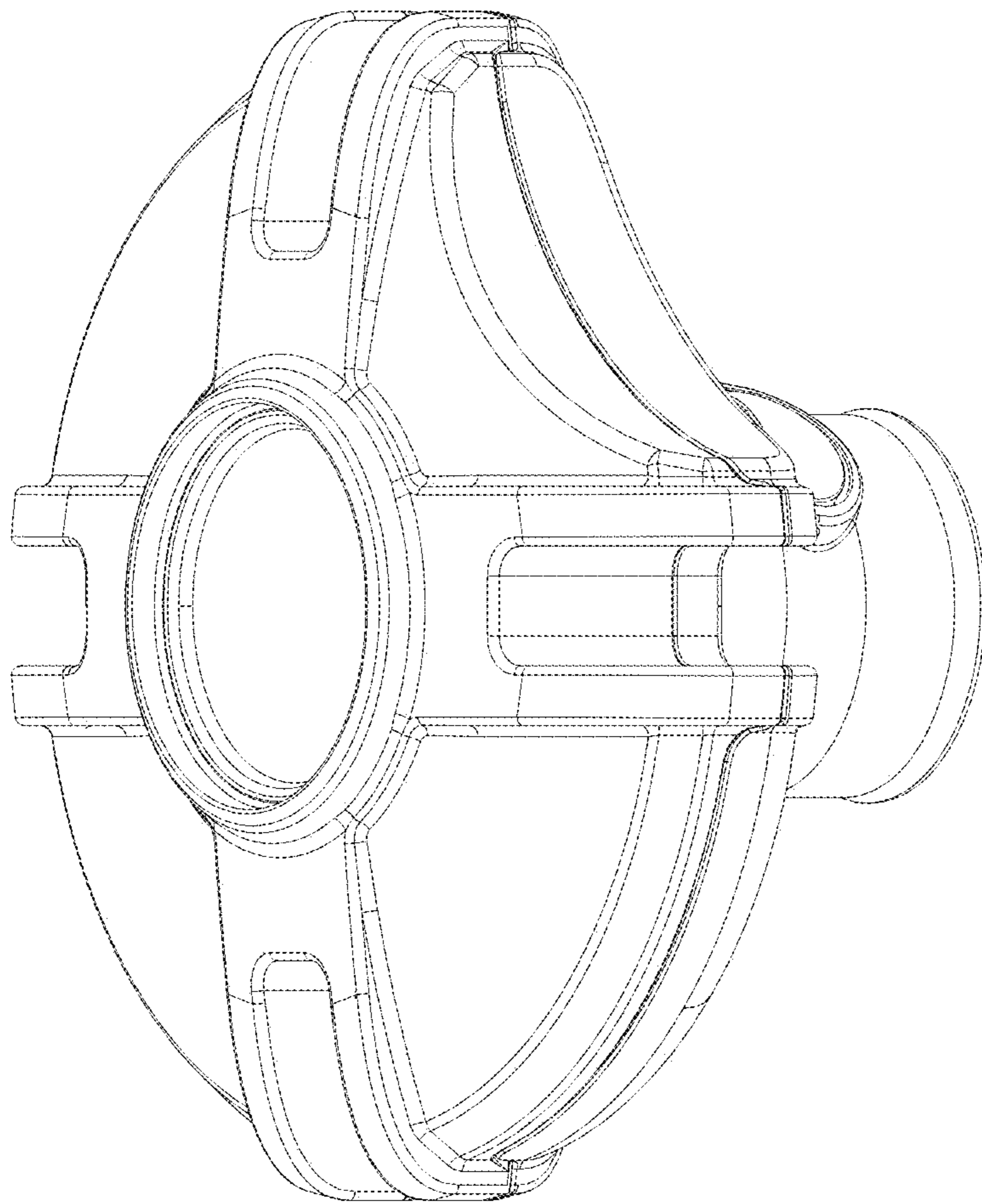


Figure 1

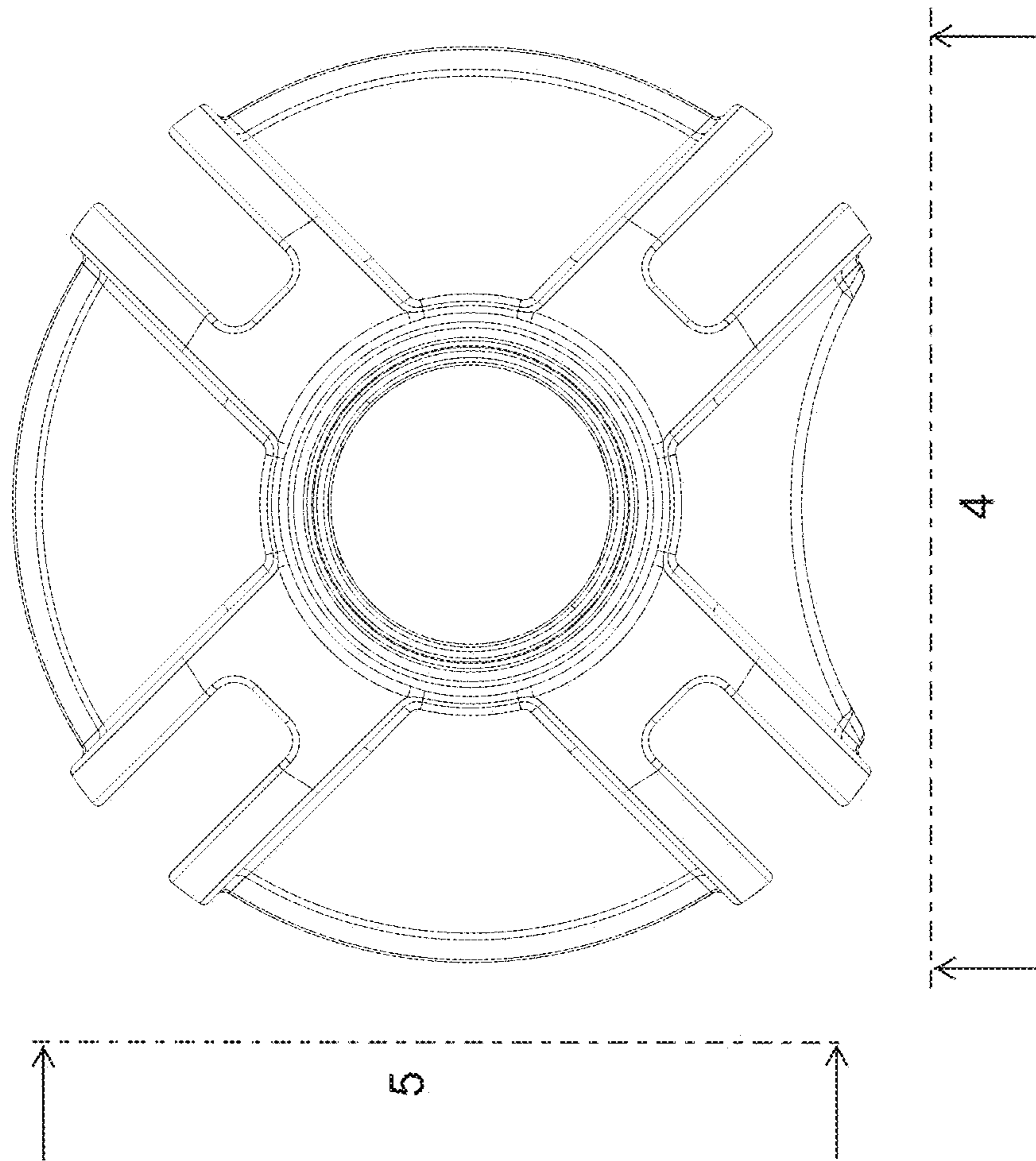


Figure 2

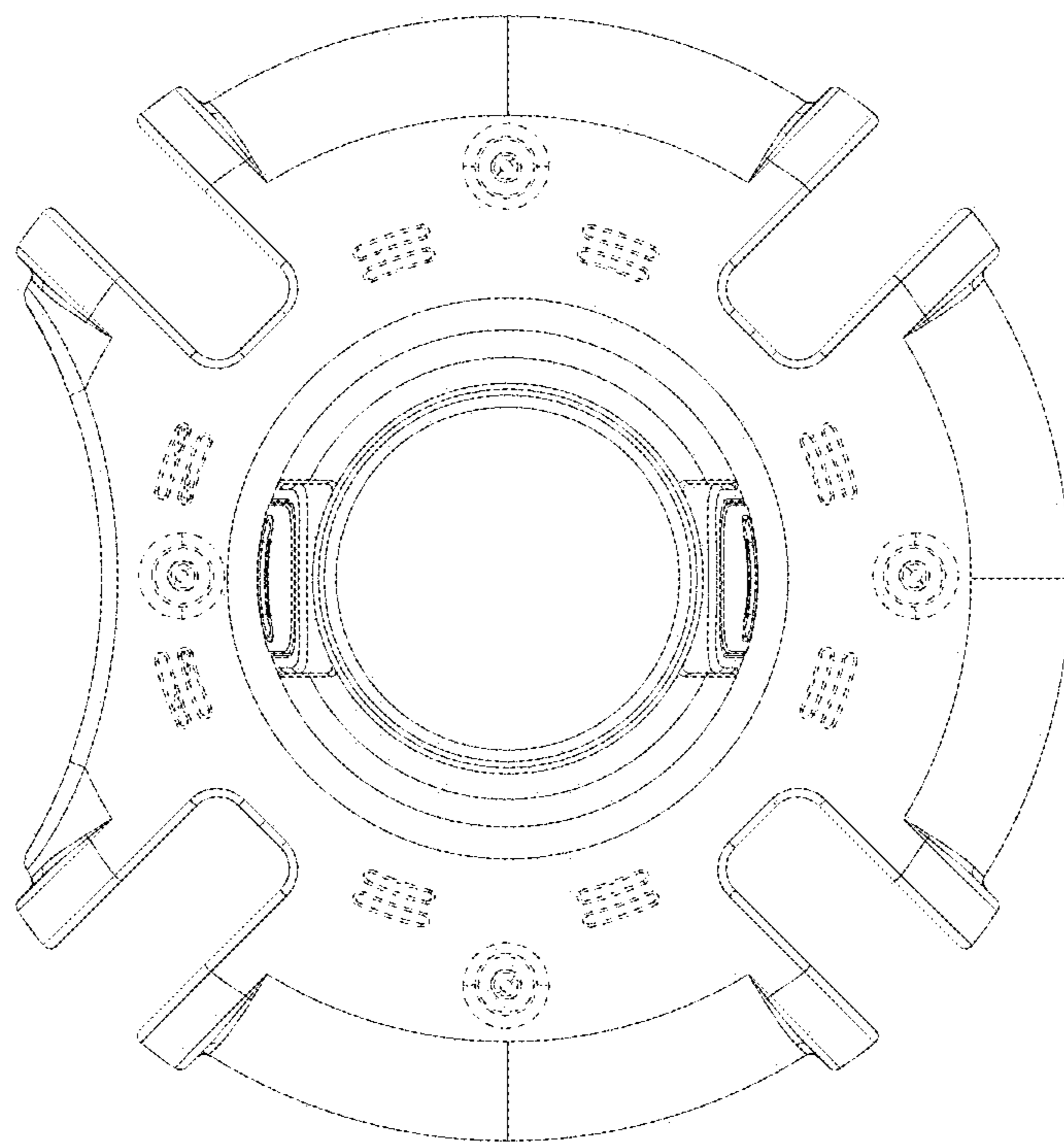


Figure 3



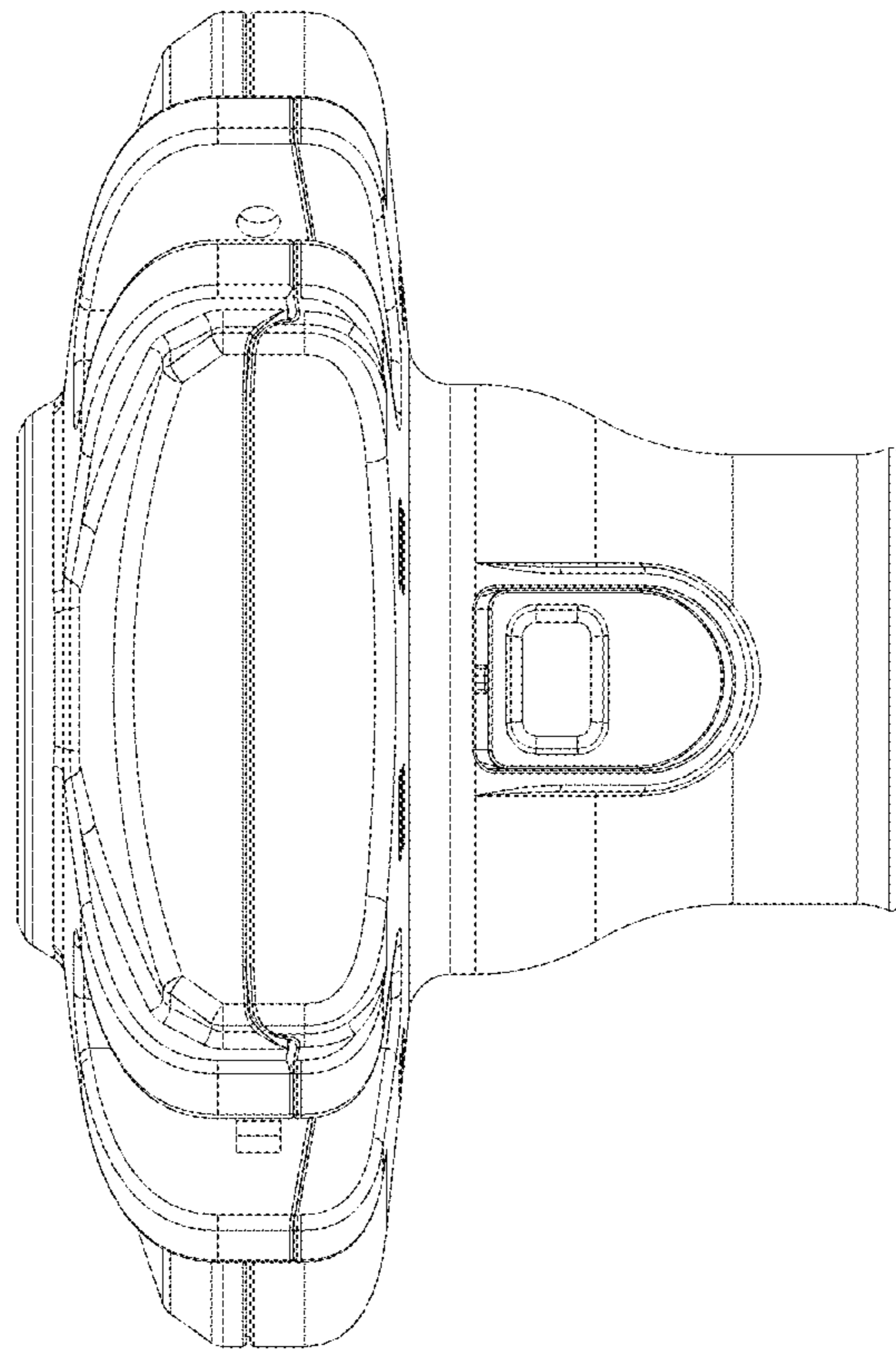


Figure 4

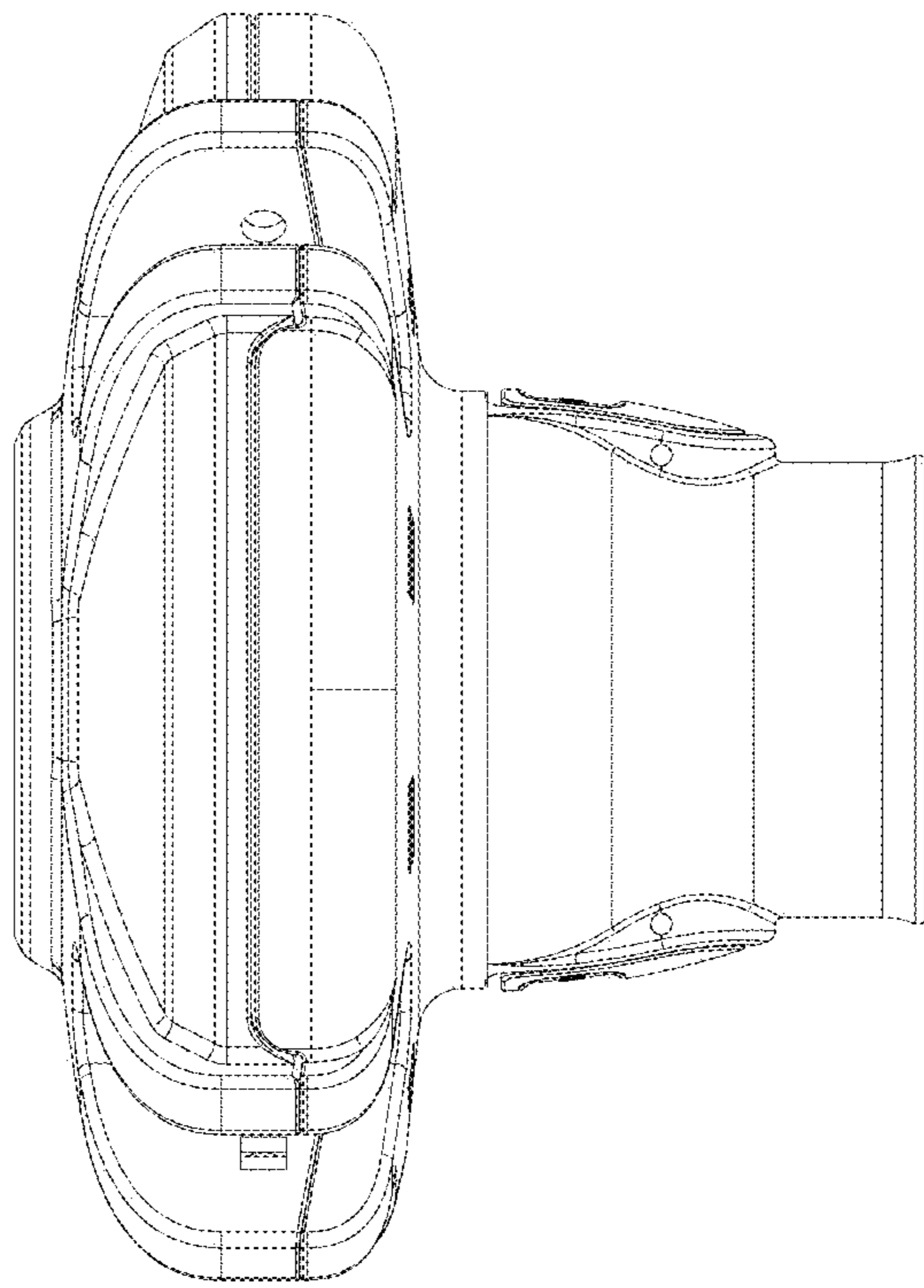


Figure 5