



US00D879397S

(12) **United States Design Patent**
Kim et al.

(10) **Patent No.:** **US D879,397 S**
(45) **Date of Patent:** **** Mar. 24, 2020**

(54) **BRUSH FOR VACUUM CLEANER**

(71) Applicant: **Samsung Electronics Co., Ltd.**,
Suwon-si (KR)

(72) Inventors: **Yeon-Su Kim**, Seoul (KR); **Jae-Won Choi**, Seoul (KR); **Seung-Wook Suh**, Goyang-si (KR); **Jae-Ho Jang**, Seoul (KR)

(73) Assignee: **Samsung Electronics Co., Ltd.**,
Suwon-si (KR)

(**) Term: **15 Years**

(21) Appl. No.: **29/636,403**

(22) Filed: **Feb. 8, 2018**

(30) **Foreign Application Priority Data**

Aug. 10, 2017 (KR) 30-2017-0037277

(51) **LOC (12) Cl.** **15-05**

(52) **U.S. Cl.**
USPC **D32/32**

(58) **Field of Classification Search**
USPC D32/31-34, 22; 15/415.1
CPC A47L 9/02; A47L 9/04; A47L 9/06; A47L 9/0461; A47L 9/325; A47L 5/362; A47L 5/365; A47L 5/30; A47L 5/36; A47L 5/28; A47L 5/32; A47L 11/4044; A47L 11/302

See application file for complete search history.

(56) **References Cited**

U.S. PATENT DOCUMENTS

D667,186 S * 9/2012 Codling D32/33
D781,015 S * 3/2017 Kim D32/33
D823,566 S * 7/2018 Kim D32/33
D836,273 S * 12/2018 Nam D32/32

D836,274 S * 12/2018 Nam D32/32
D836,868 S * 12/2018 Nam D32/32
D839,517 S * 1/2019 Nam D32/32
D839,518 S * 1/2019 Nam D32/32
D839,519 S * 1/2019 Nam D32/33
D839,520 S * 1/2019 Hribar-Green D32/33
D839,521 S * 1/2019 Hribar-Green D32/33
D848,099 S * 5/2019 Nam D32/32
D853,063 S * 7/2019 Johnson D32/33

FOREIGN PATENT DOCUMENTS

CN 2014303852184 5/2015
EM 002494617-0003 9/2014
KR 30-2008-0016416 10/2008
KR 30-2010-0043011 1/2012

* cited by examiner

Primary Examiner — Ruth McNroy

(74) *Attorney, Agent, or Firm* — NSIP Law

(57) **CLAIM**

We claim the ornamental design for a brush for vacuum cleaner, as shown and described.

DESCRIPTION

FIG. 1 is a front perspective view of a brush for vacuum cleaner showing our new design;
FIG. 2 is a front view thereof;
FIG. 3 is a rear view thereof;
FIG. 4 is a left-side view thereof;
FIG. 5 is a right-side view thereof;
FIG. 6 is a top view thereof;
FIG. 7 is a bottom view thereof;
FIG. 8 is a rear perspective view thereof; and,
FIG. 9 is a front perspective view of the brush for vacuum cleaner in which a vacuum cleaner in broken lines is provided to illustrate an example environment.
The broken lines in the figures show portions of the brush for vacuum cleaner which form no part of the claimed design.

1 Claim, 9 Drawing Sheets

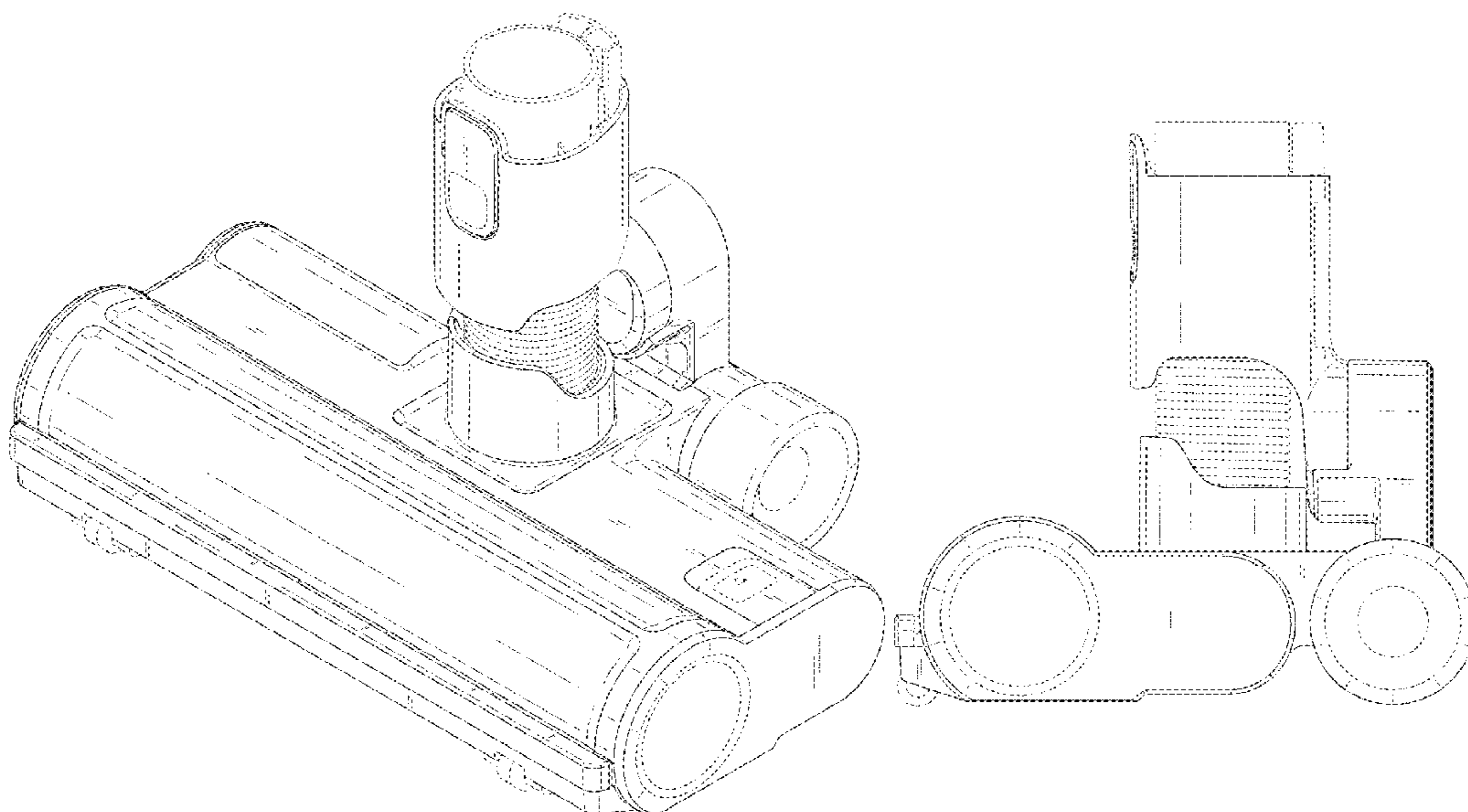


FIG. 1

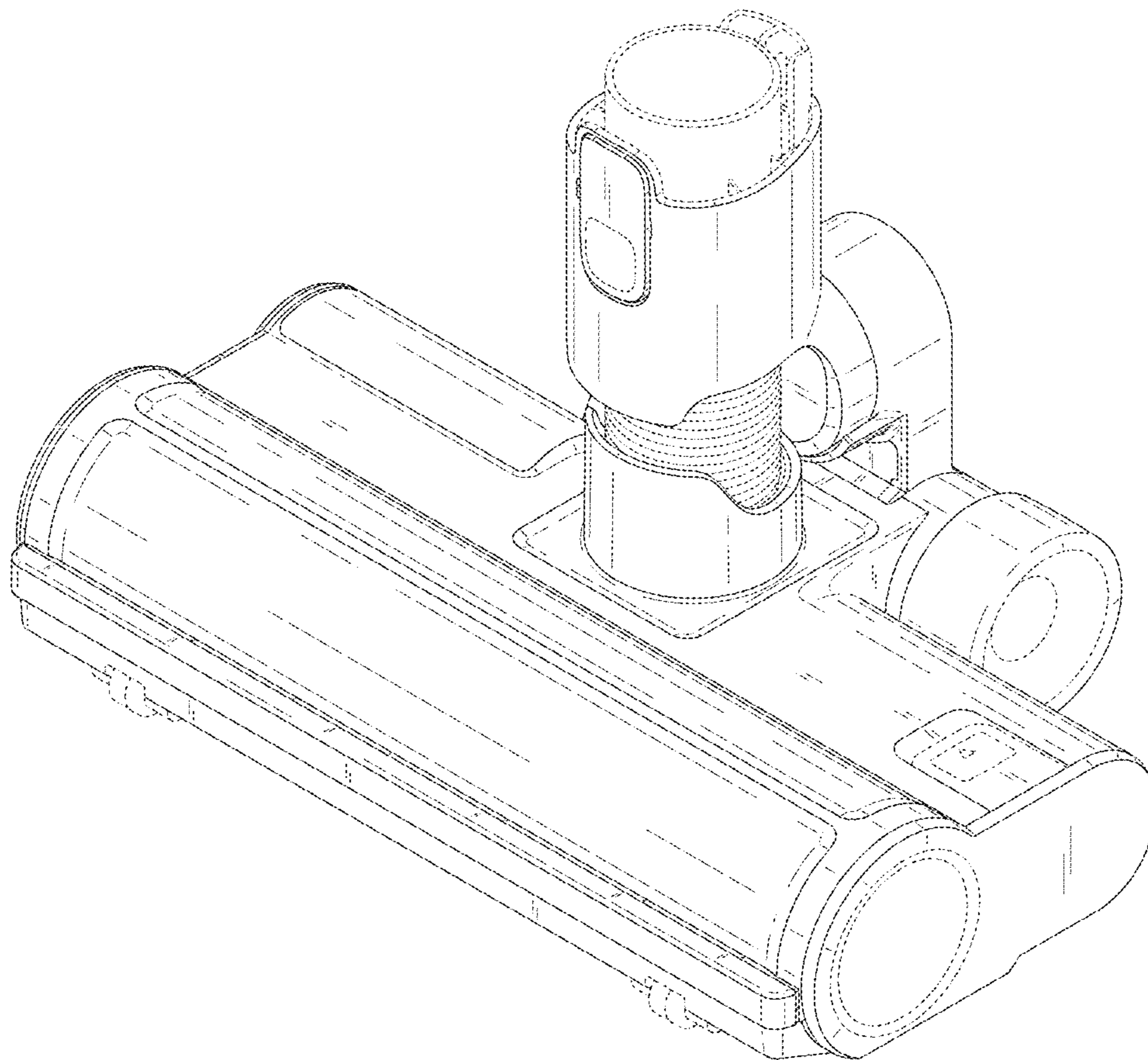


FIG. 2

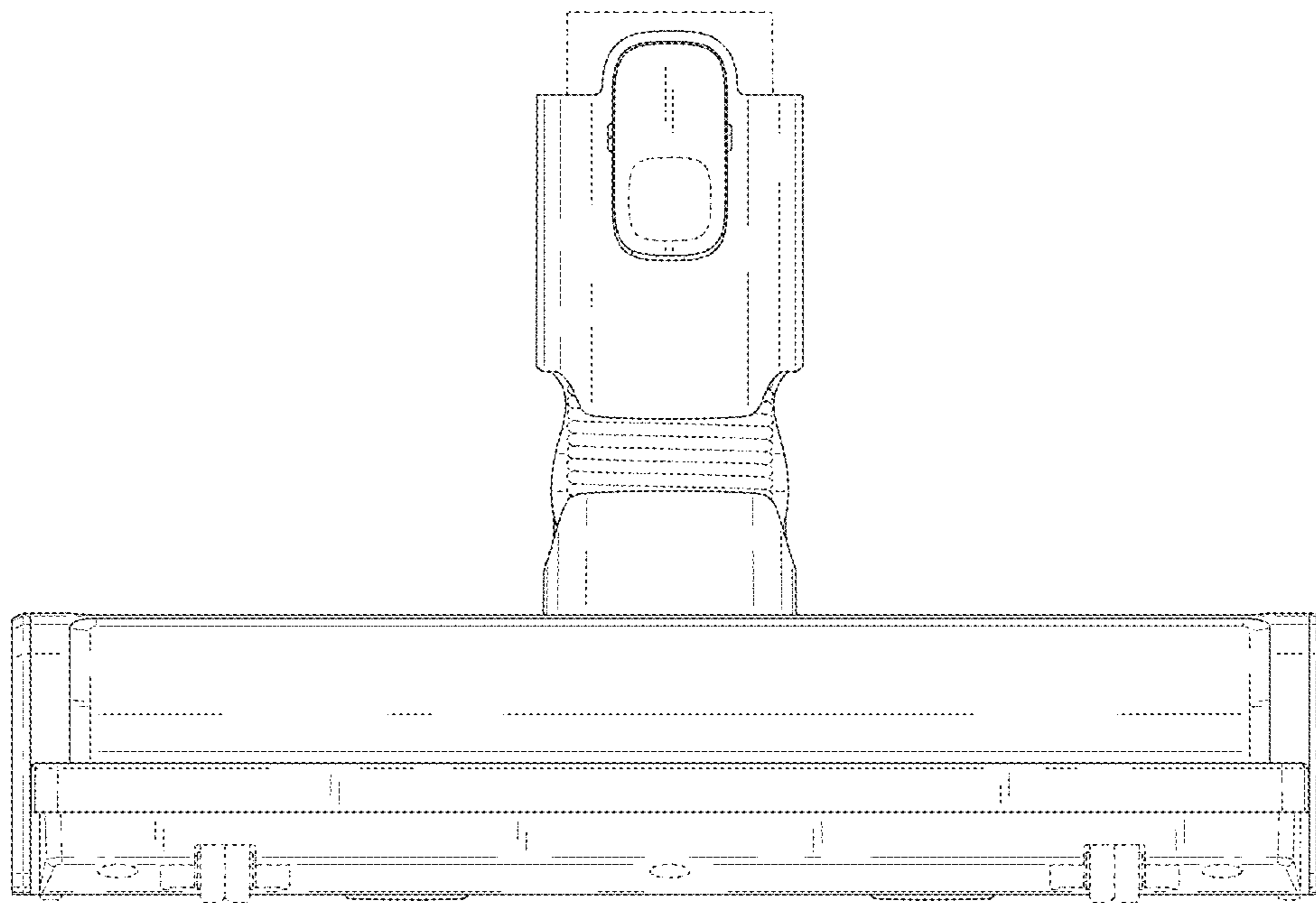


FIG. 3

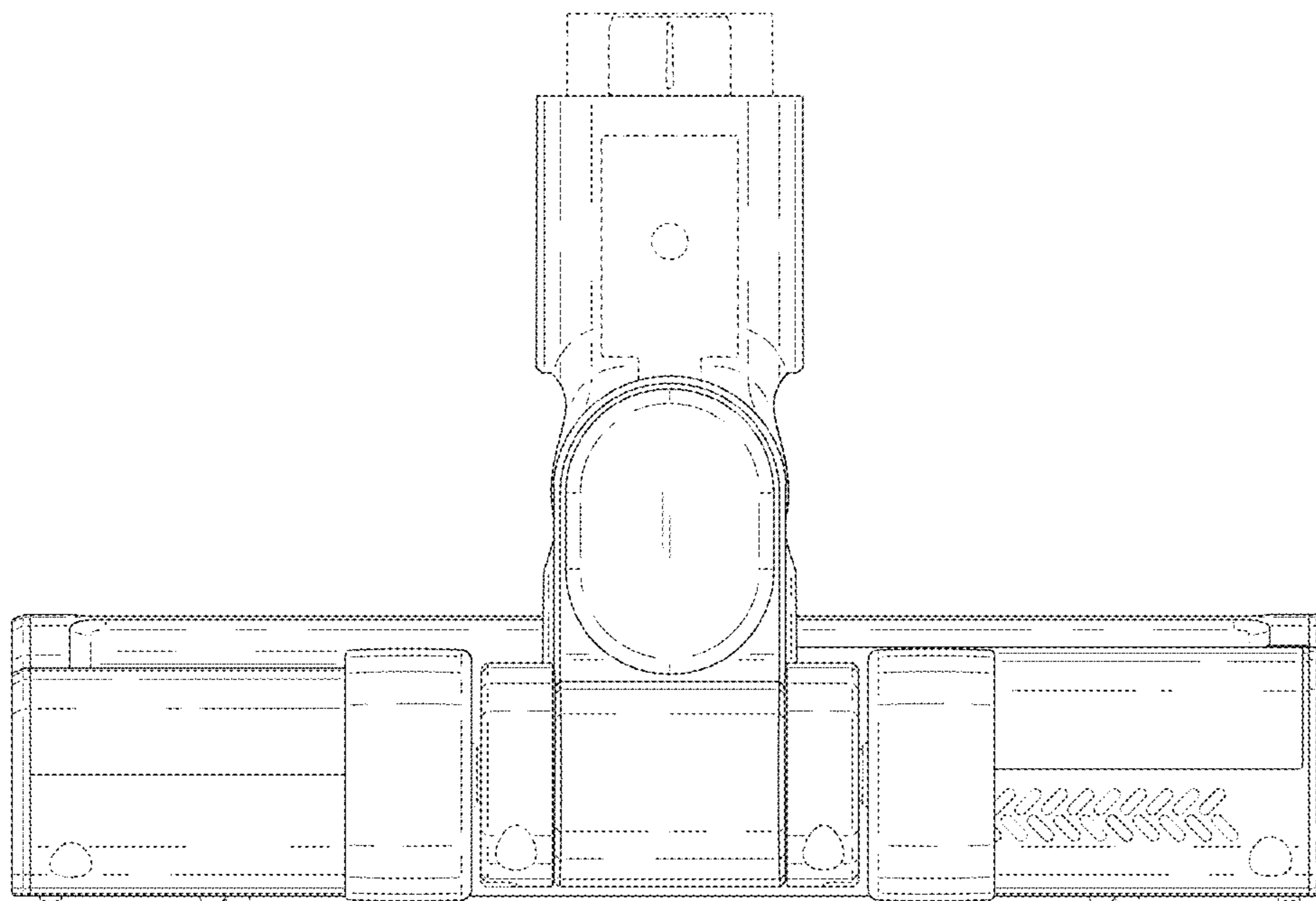


FIG. 4

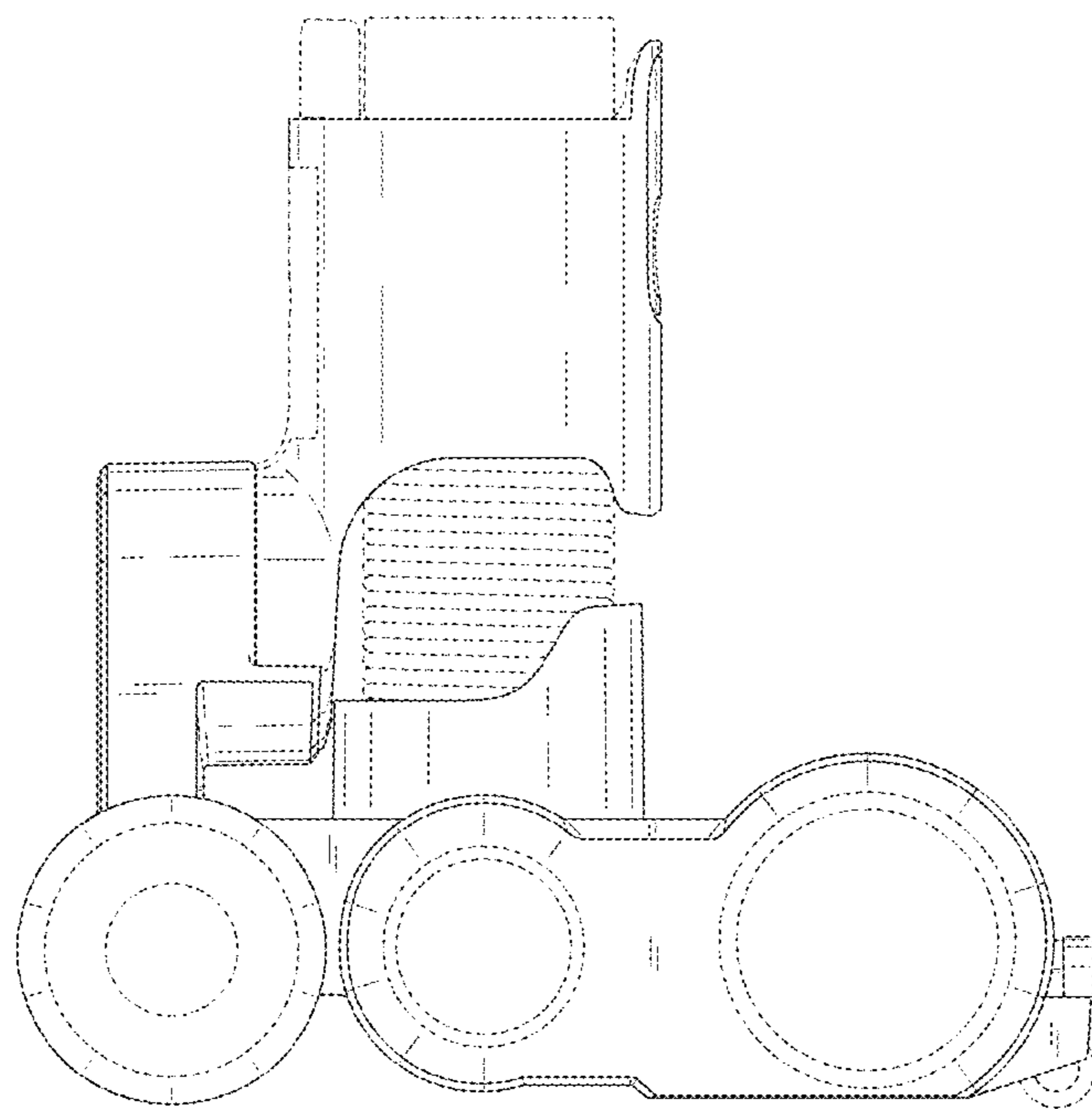


FIG. 5

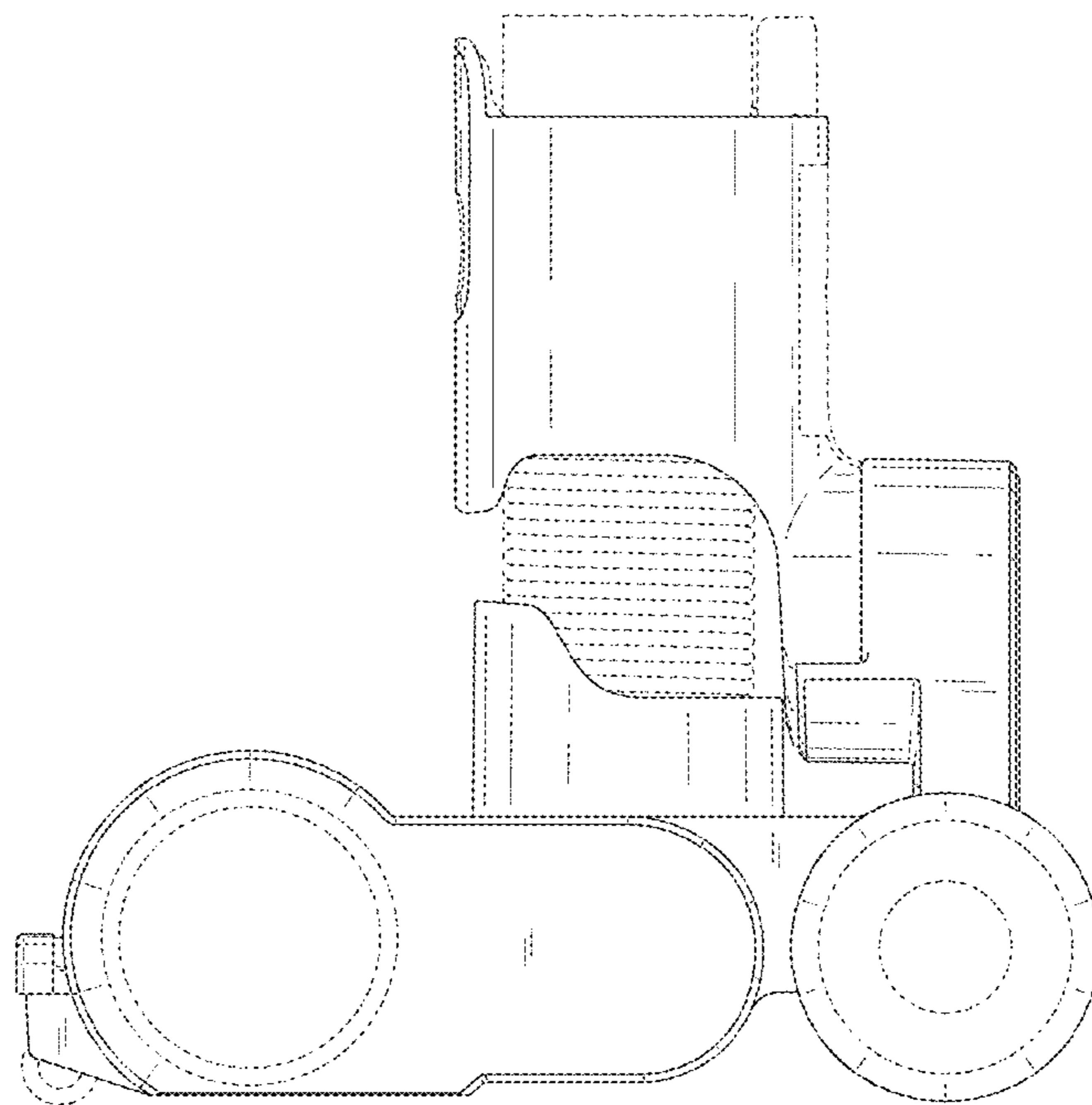


FIG. 6

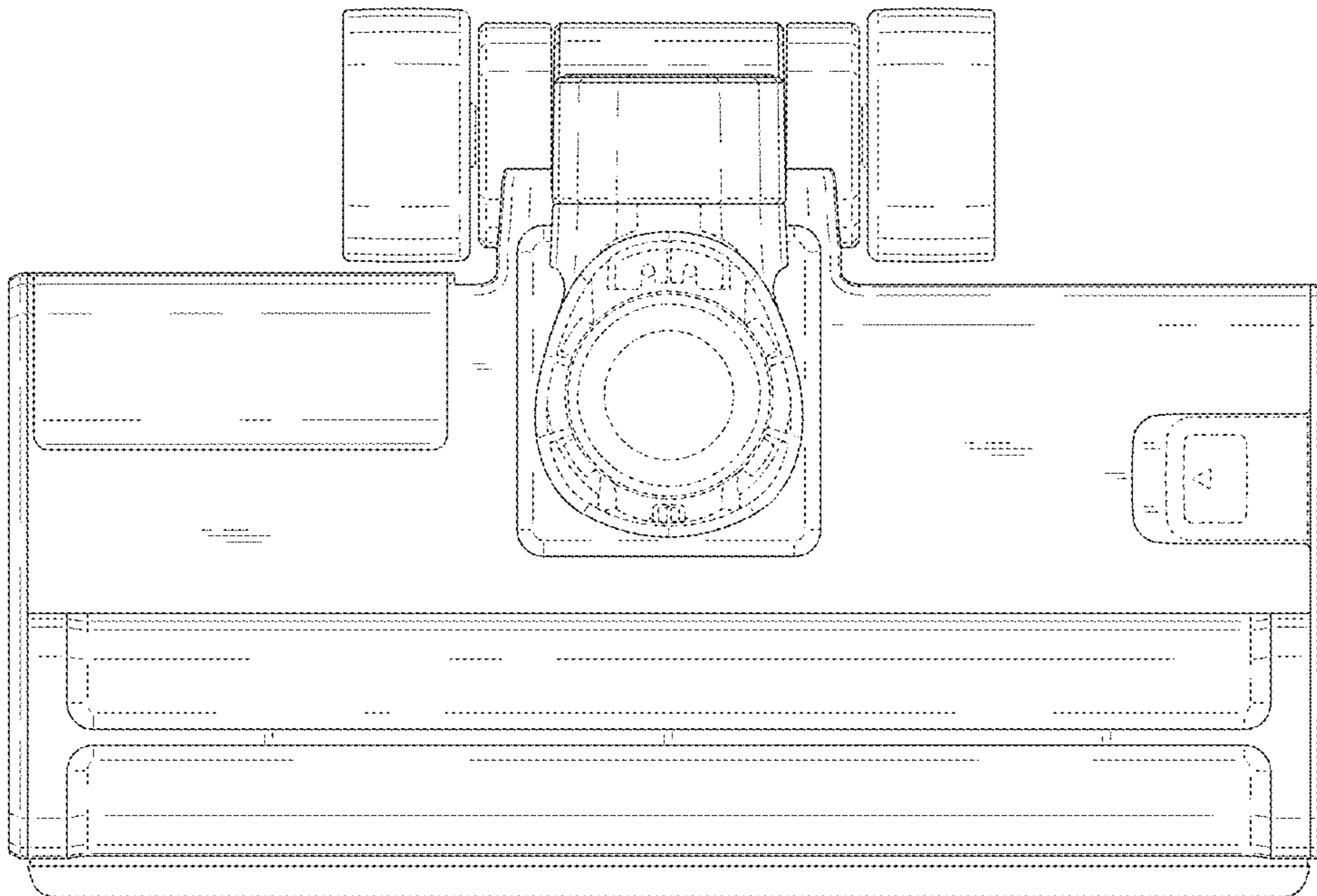


FIG. 7

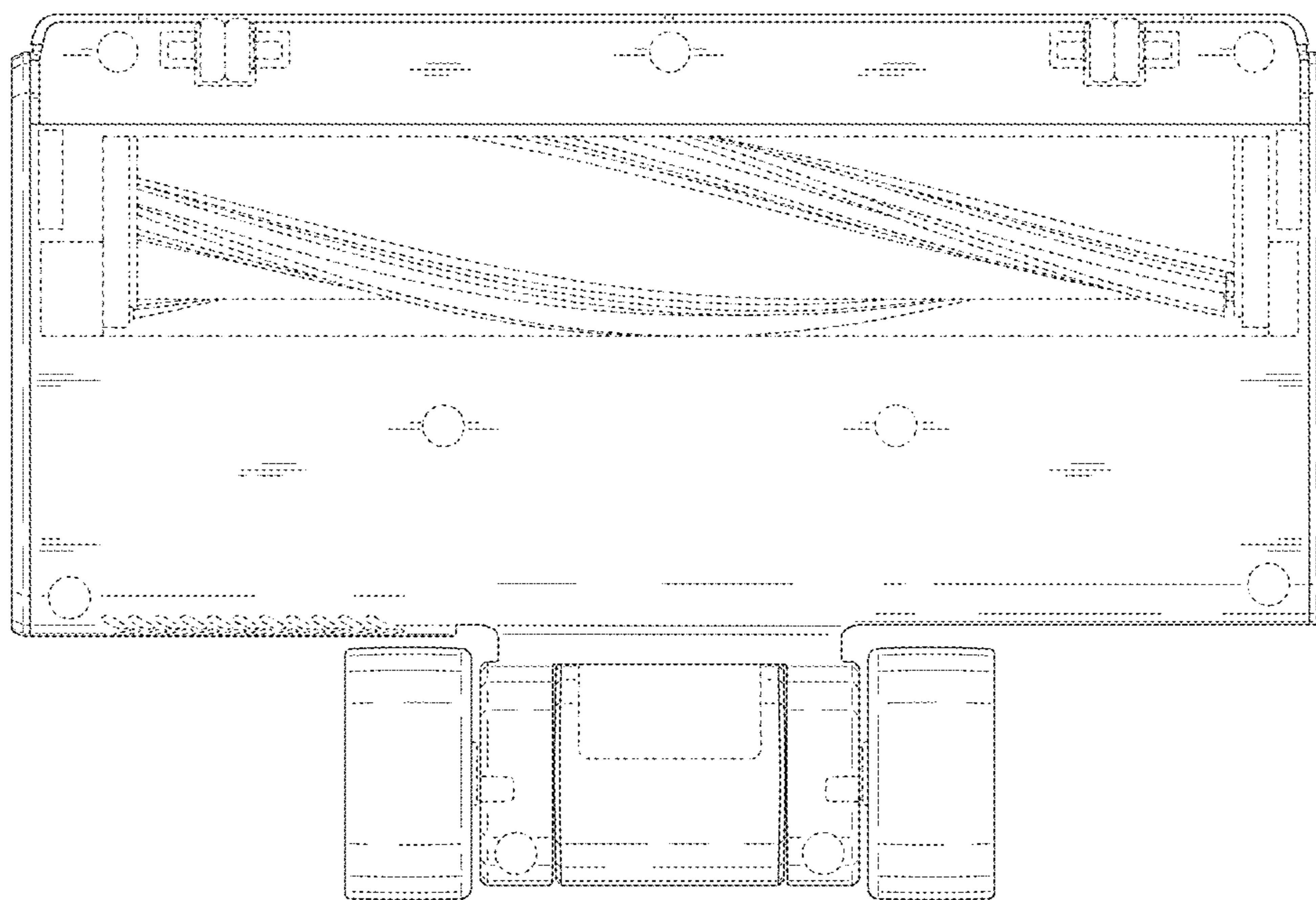


FIG. 8

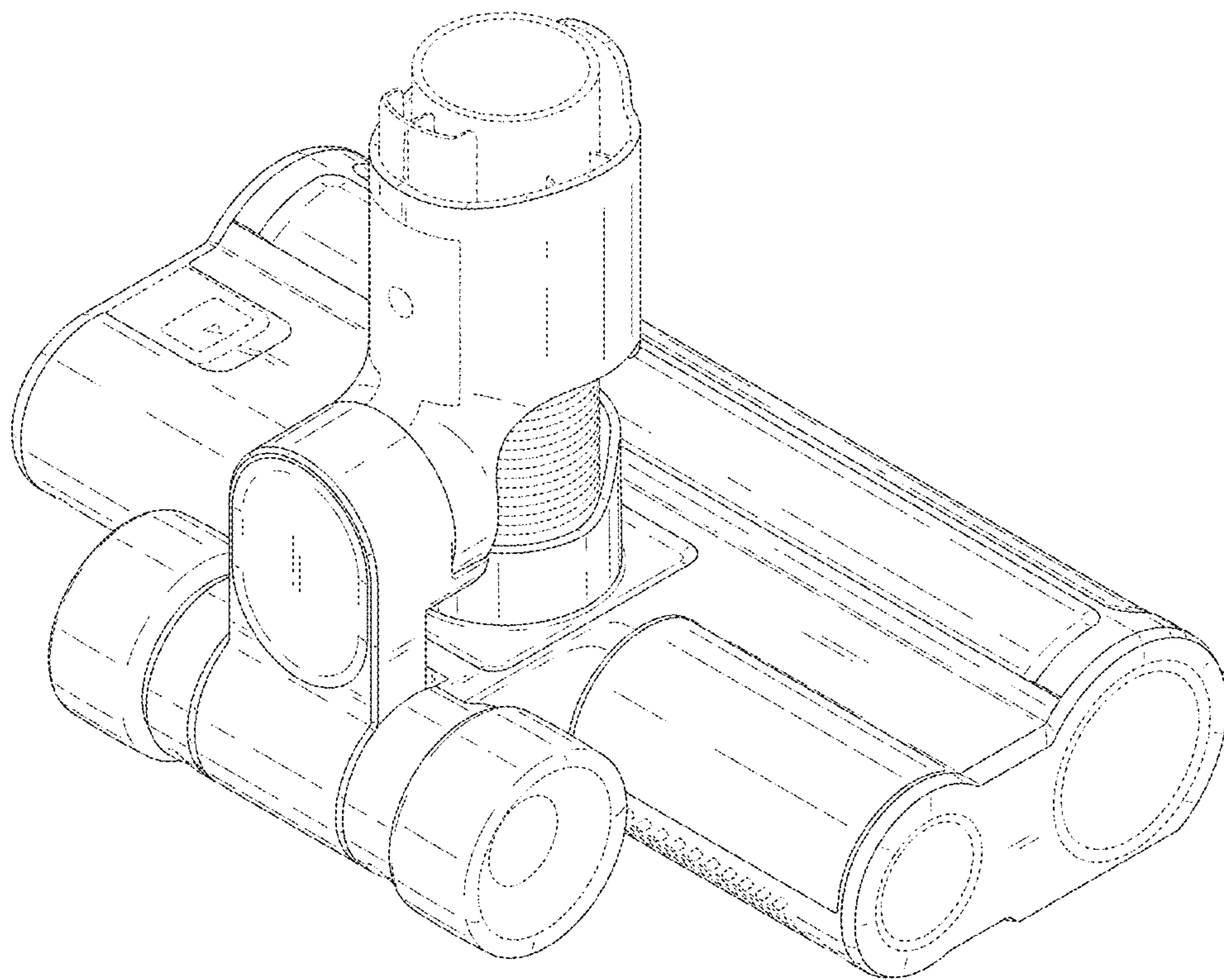


FIG. 9

