



US00D879395S

(12) **United States Design Patent**  
**Pearce et al.**

(10) **Patent No.:** **US D879,395 S**  
(45) **Date of Patent:** **\*\* Mar. 24, 2020**

- (54) **VACUUM CLEANER**
- (71) Applicant: **SharkNinja Operating, LLC**,  
Needham, MA (US)
- (72) Inventors: **Emily Pearce**, Somerville, MA (US);  
**Owen R. Johnson**, Needham, MA (US)
- (73) Assignee: **SharkNinja Operating LLC**,  
Needham, MA (US)

(\*\*) Term: **15 Years**

(21) Appl. No.: **29/657,807**

(22) Filed: **Jul. 25, 2018**

(51) **LOC (12) Cl.** ..... **15-05**

(52) **U.S. Cl.**  
USPC ..... **D32/18**

(58) **Field of Classification Search**  
USPC ..... D32/17, 18, 22, 31  
CPC ... A47L 5/24; A47L 5/362; A47L 5/36; A47L  
5/28; A47L 9/102; A47L 9/1683; B01D  
50/002  
See application file for complete search history.

(56) **References Cited**

**U.S. PATENT DOCUMENTS**

D668,010 S *	9/2012	Stickney	.....	D32/18
9,027,198 B2 *	5/2015	Conrad	.....	A47L 9/16 15/344
D731,130 S *	6/2015	Dyson	.....	D32/18
D745,231 S *	12/2015	Niedzwecki	.....	D32/18
D792,665 S *	7/2017	Salagnac	.....	D32/18
D814,723 S *	4/2018	Palladino	.....	D32/31
D821,044 S *	6/2018	Cao	.....	D32/18
D827,955 S *	9/2018	Palladino	.....	D32/18
D840,615 S *	2/2019	Burgess	.....	D32/18
D844,264 S *	3/2019	Irfan	.....	A47L 5/26 D32/18
D844,913 S *	4/2019	Palladino	.....	D32/18
10,264,934 B2 *	4/2019	Conrad	.....	A47L 9/16

\* cited by examiner

*Primary Examiner* — Ruth McInroy  
(74) *Attorney, Agent, or Firm* — Grossman Tucker  
Perreault & Pflieger, PLLC

(57) **CLAIM**

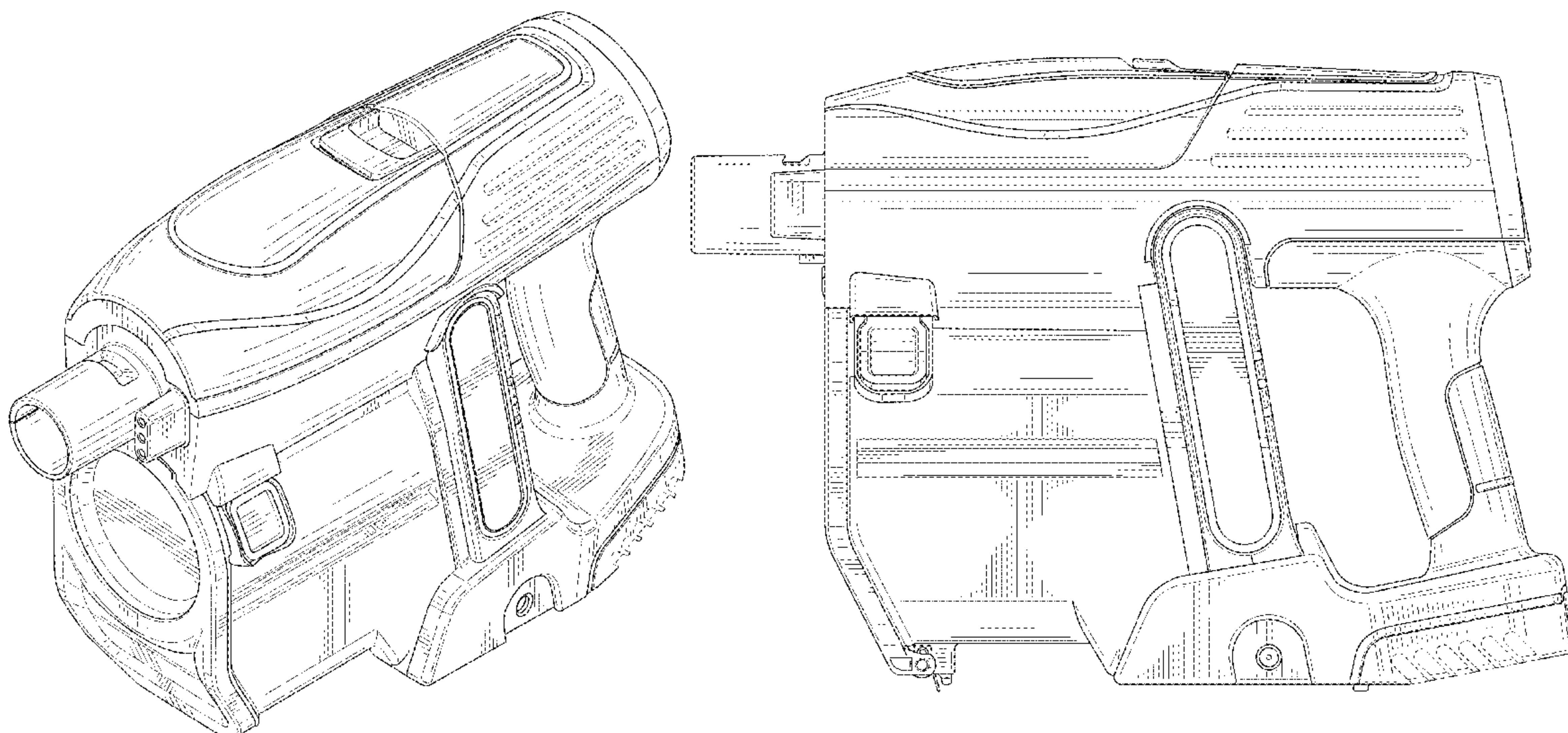
We claim the ornamental design for a vacuum cleaner, as shown and described.

**DESCRIPTION**

FIG. 1 is a front, top and right perspective view of a vacuum cleaner showing our new design;  
FIG. 2 is a front, top, left perspective view thereof;  
FIG. 3 is a rear, top, left perspective view thereof;  
FIG. 4 is a rear, top, right perspective view thereof;  
FIG. 5 is a front, bottom, right perspective view thereof;  
FIG. 6 is a front, bottom, left perspective view thereof;  
FIG. 7 is a rear, bottom, left perspective view thereof;  
FIG. 8 is a rear, bottom, right perspective view thereof;  
FIG. 9 is a front side view thereof;  
FIG. 10 is a rear view thereof;  
FIG. 11 is a right view thereof;  
FIG. 12 is a left view thereof;  
FIG. 13 is a top view thereof; and,  
FIG. 14 is a bottom view thereof.

Color, logos, surface ornamentation, and written matter shown on the claimed design form no part thereof and are hereby disclaimed. The present disclosure further contemplates later-claimed designs including subsets of the originally disclosed elements where certain visible features, boundary lines, and/or surface treatments are disclaimed and/or removed. Features that may be disclaimed or removed include, without limitation, buttons, switches, controls, fasteners, connectors, and seams.

**1 Claim, 14 Drawing Sheets**





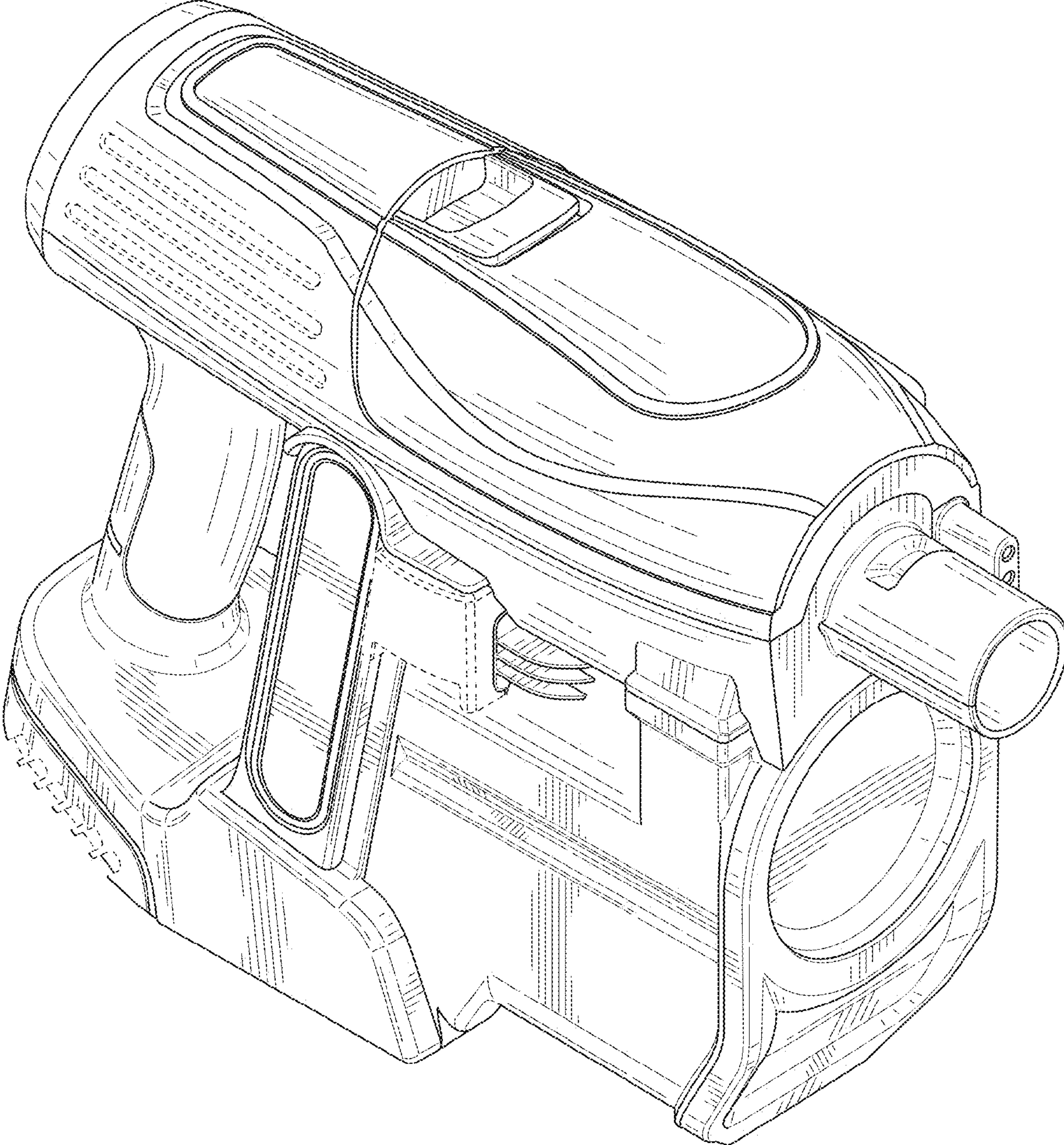


FIG. 1

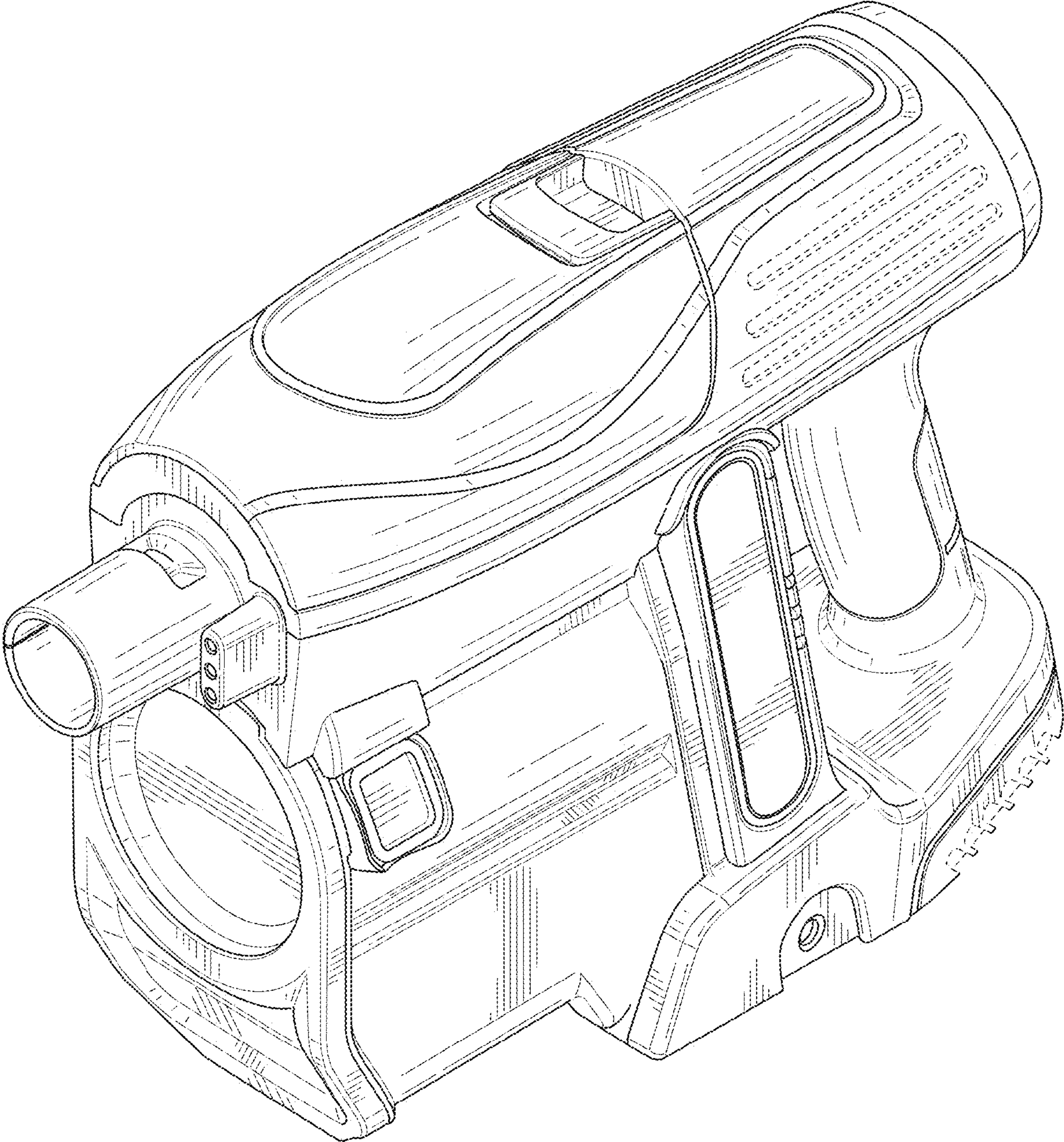


FIG. 2



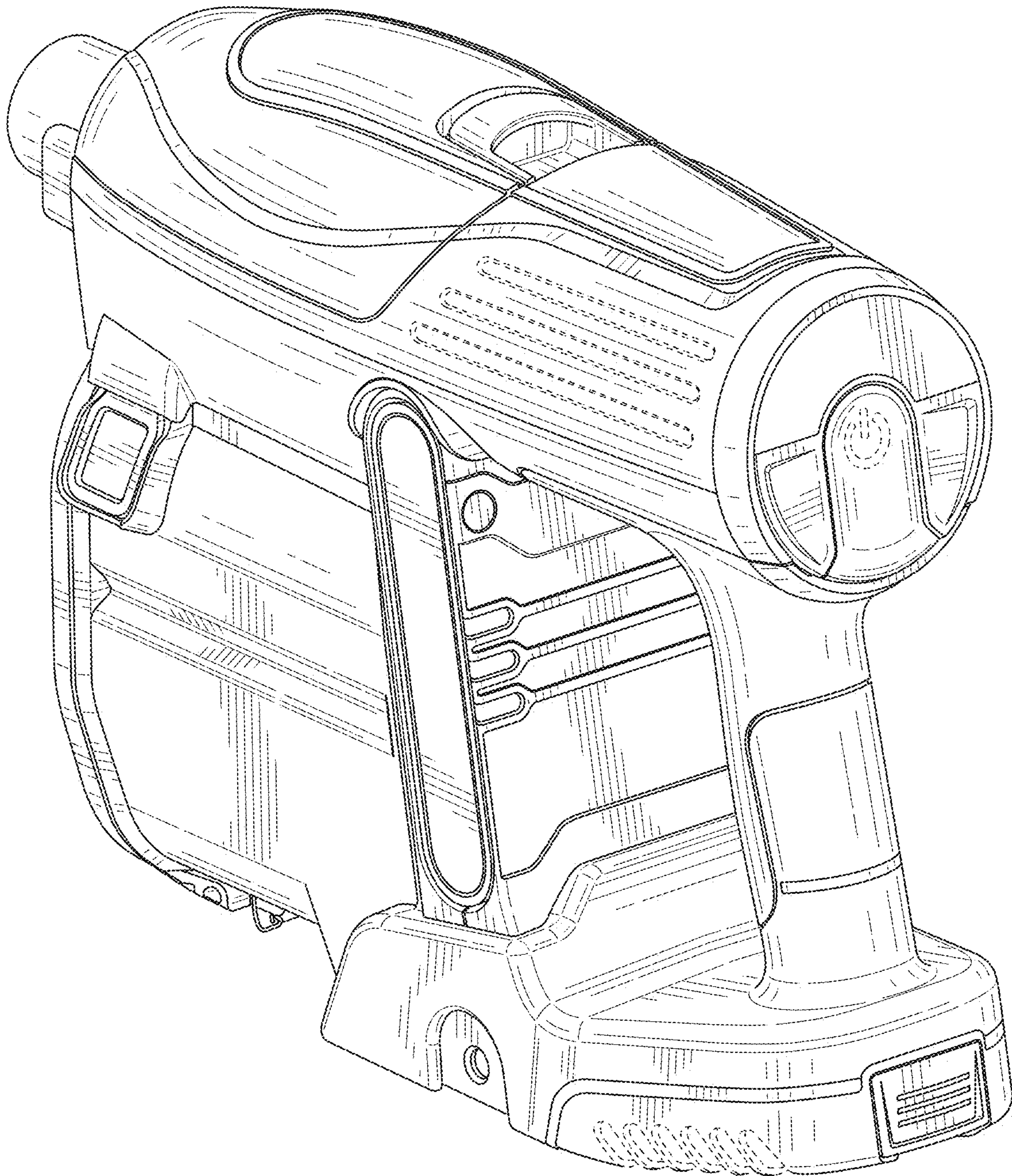


FIG. 3

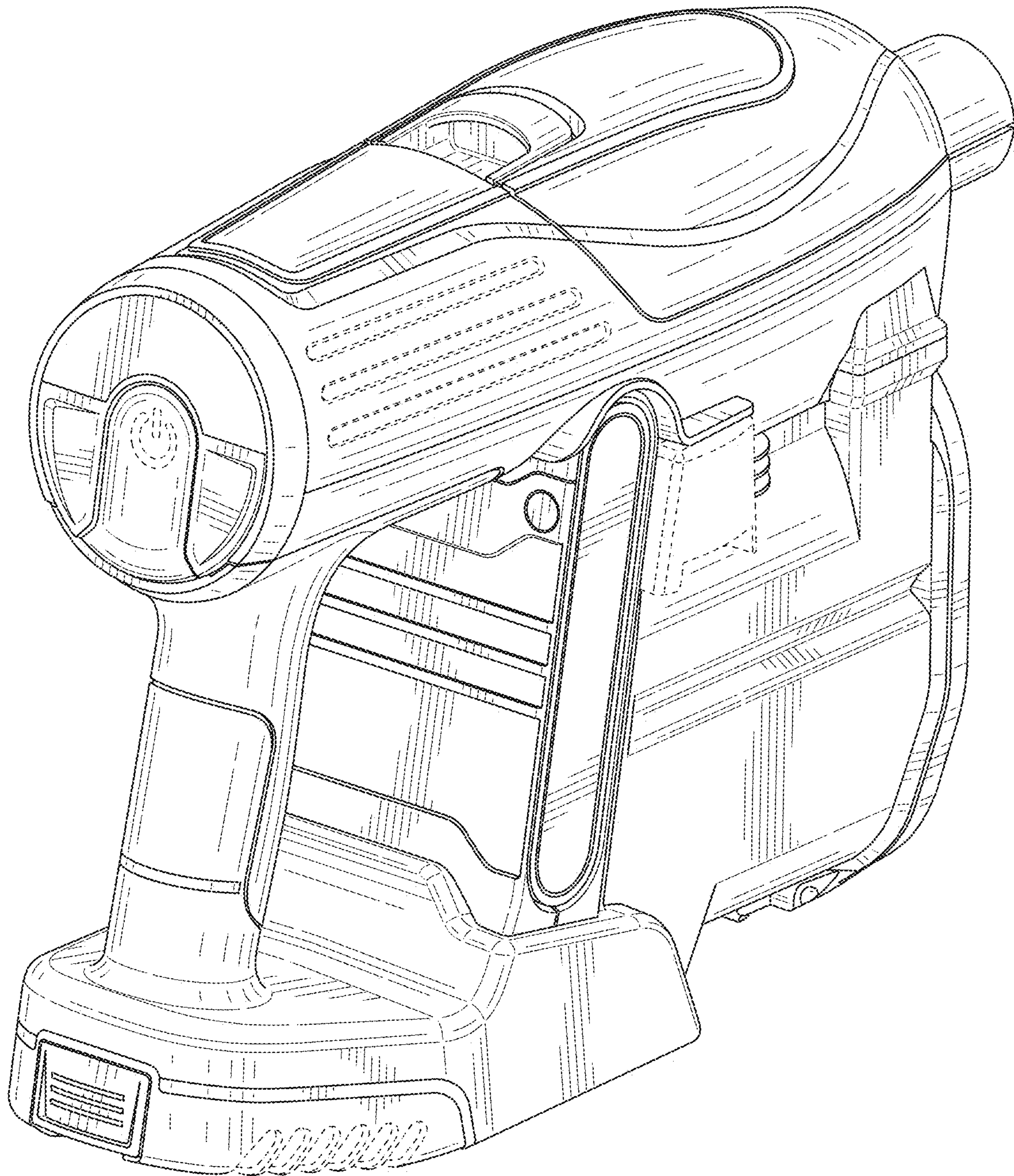


FIG. 4



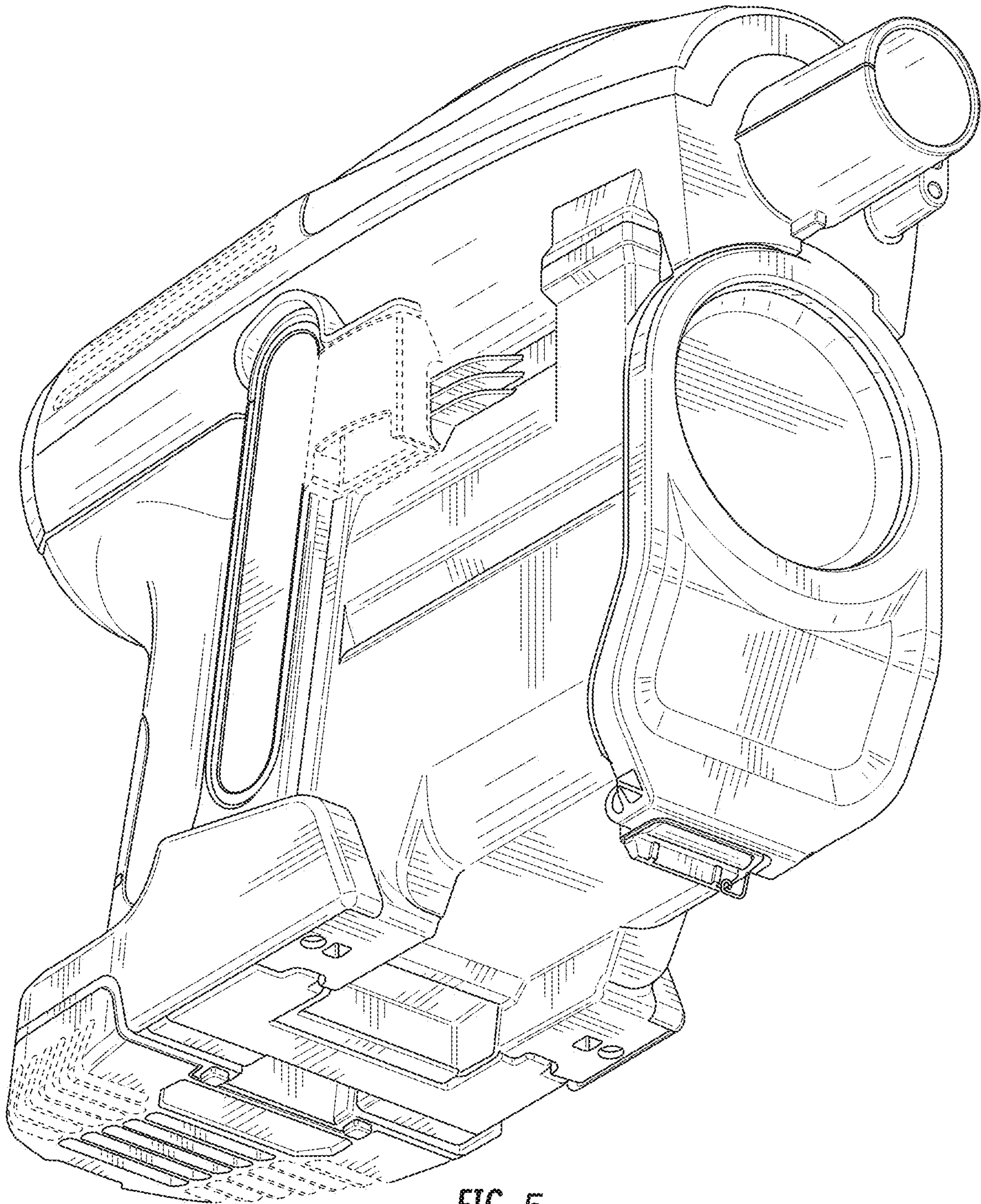


FIG. 5

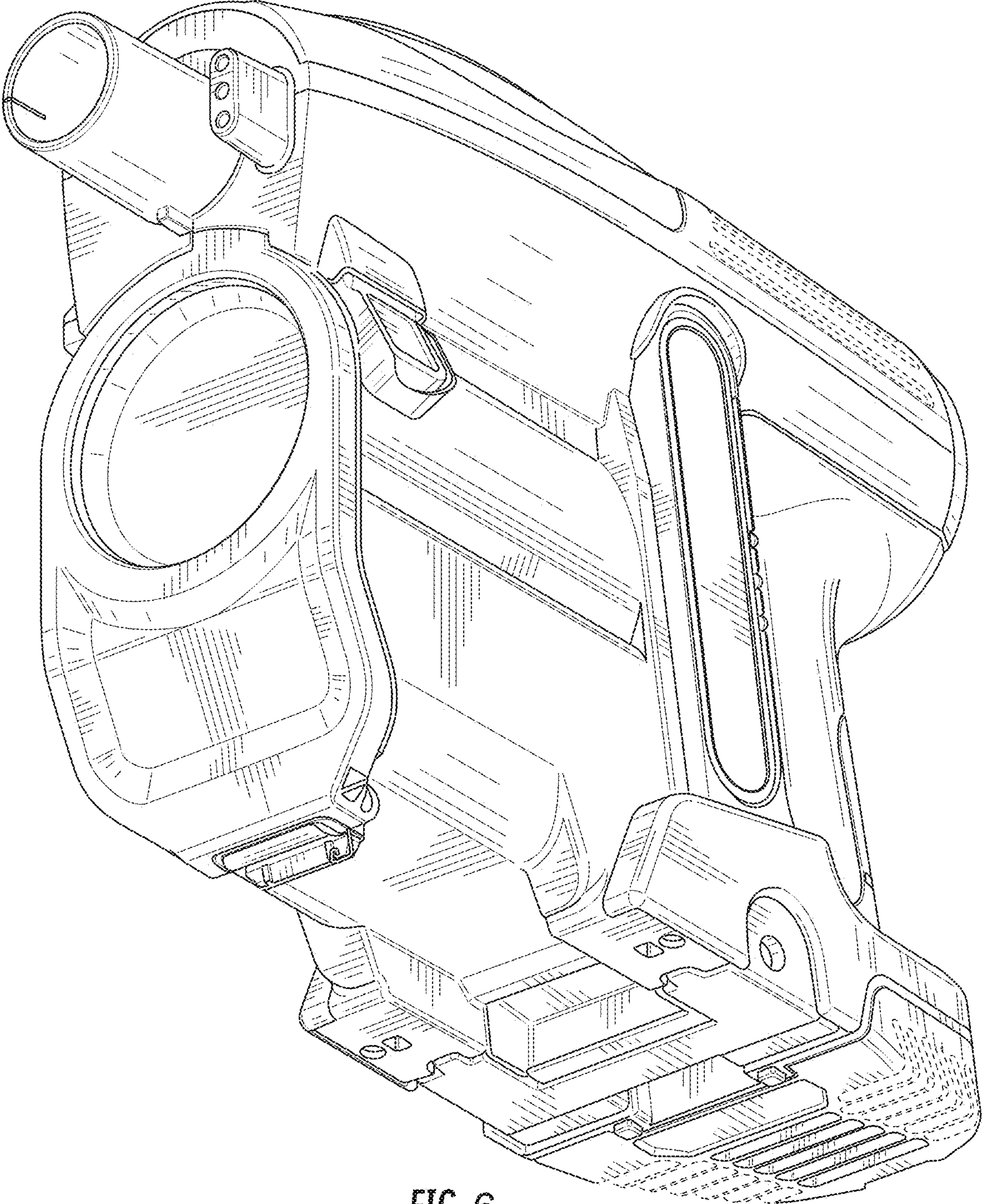


FIG. 6



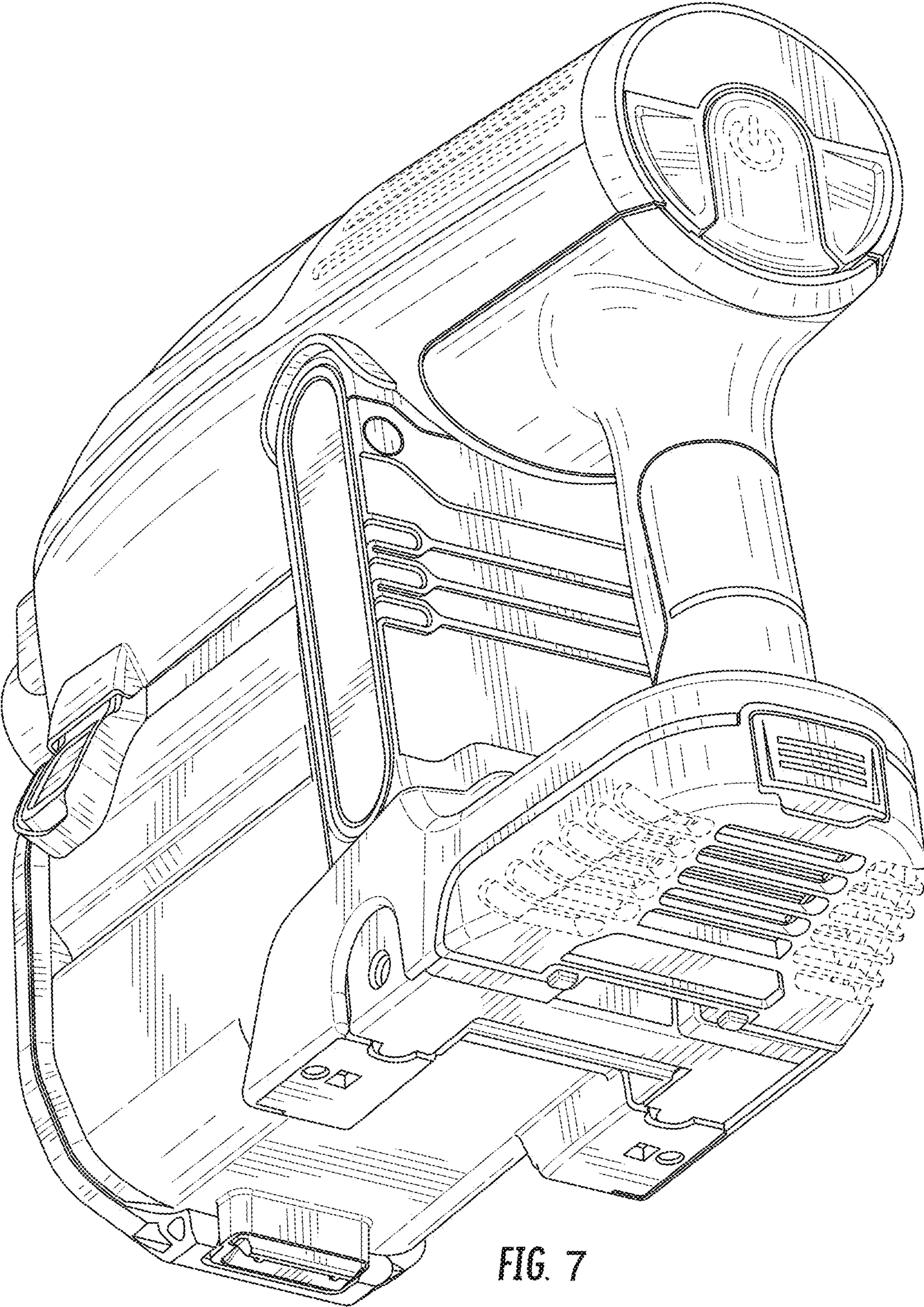


FIG. 7



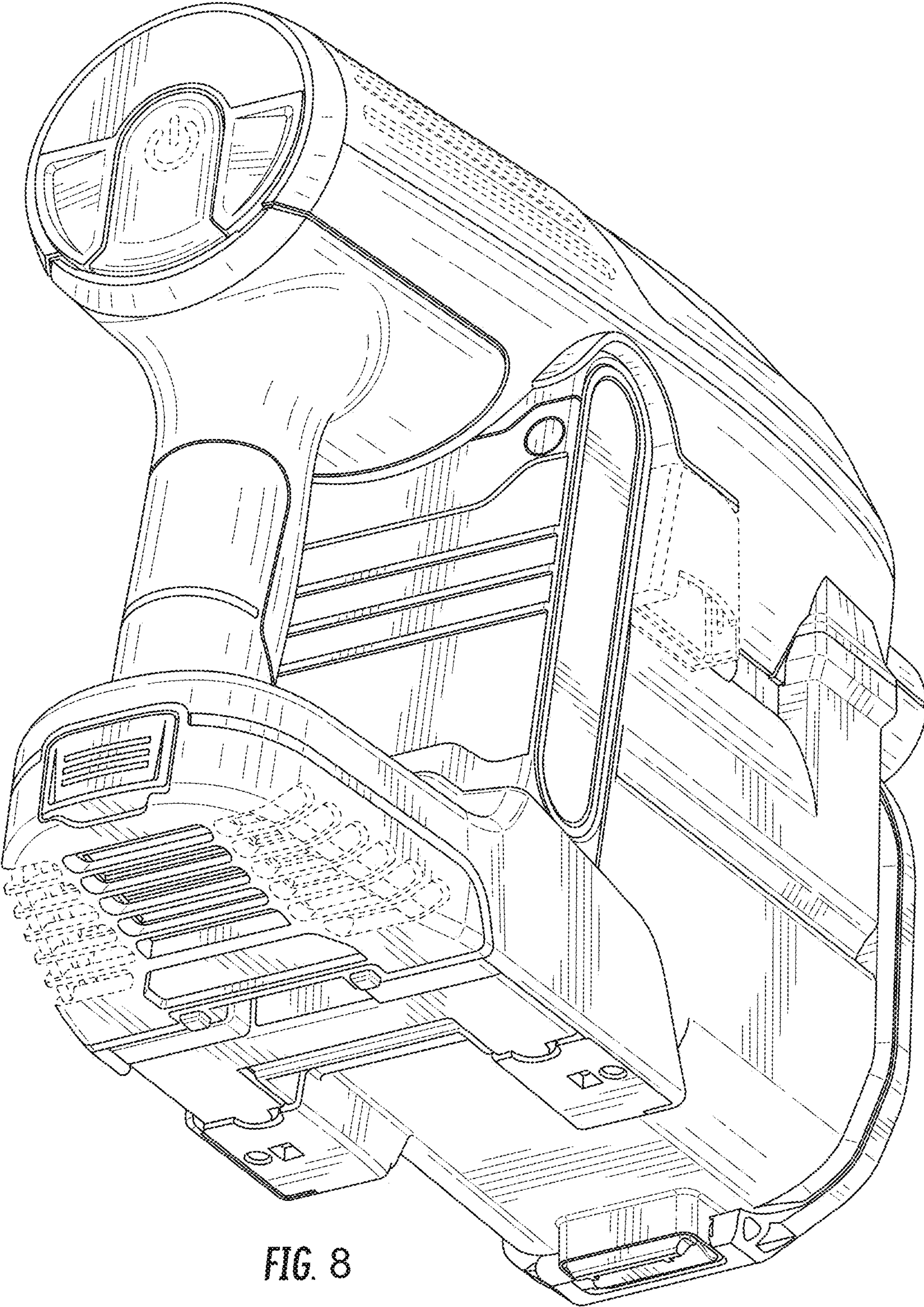


FIG. 8



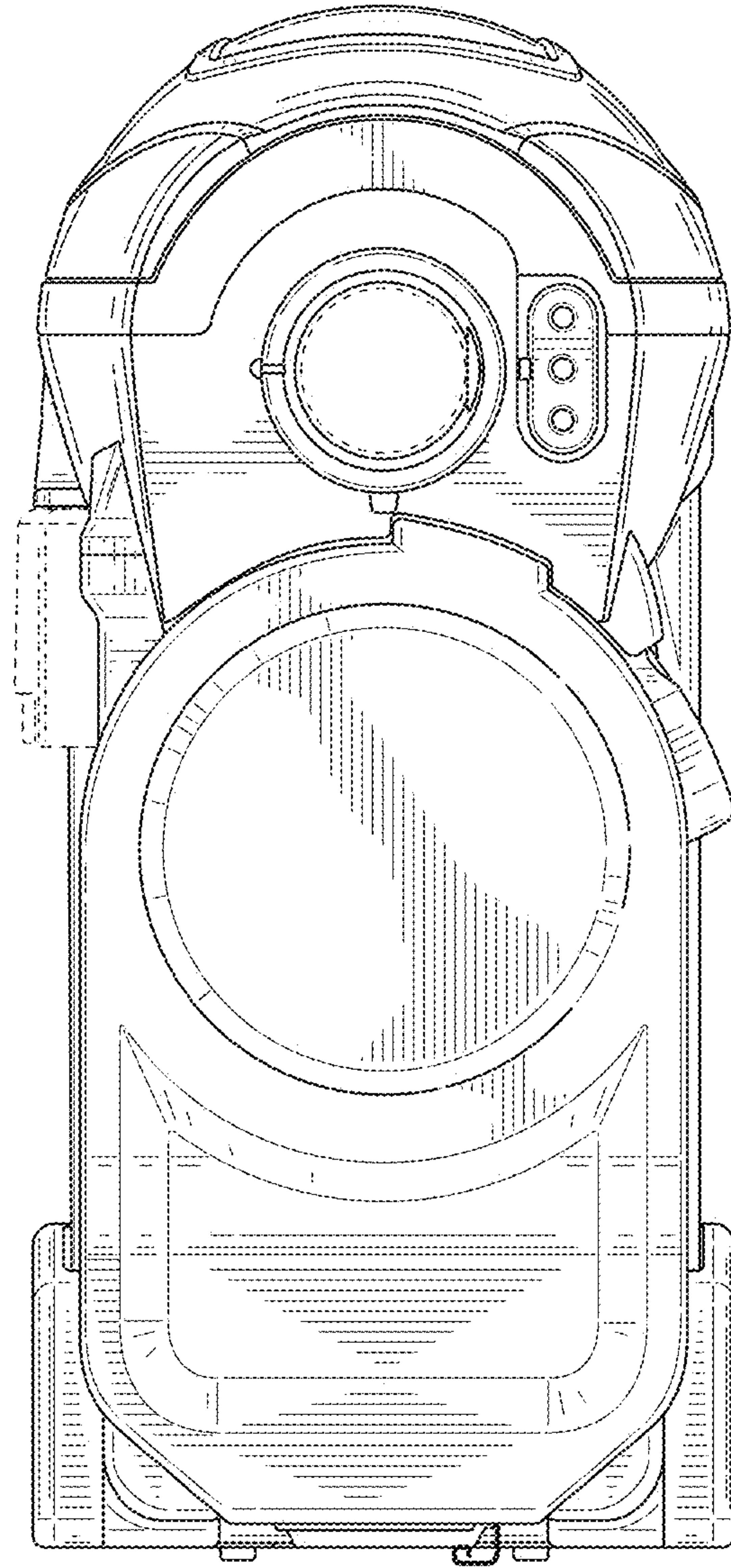


FIG. 9



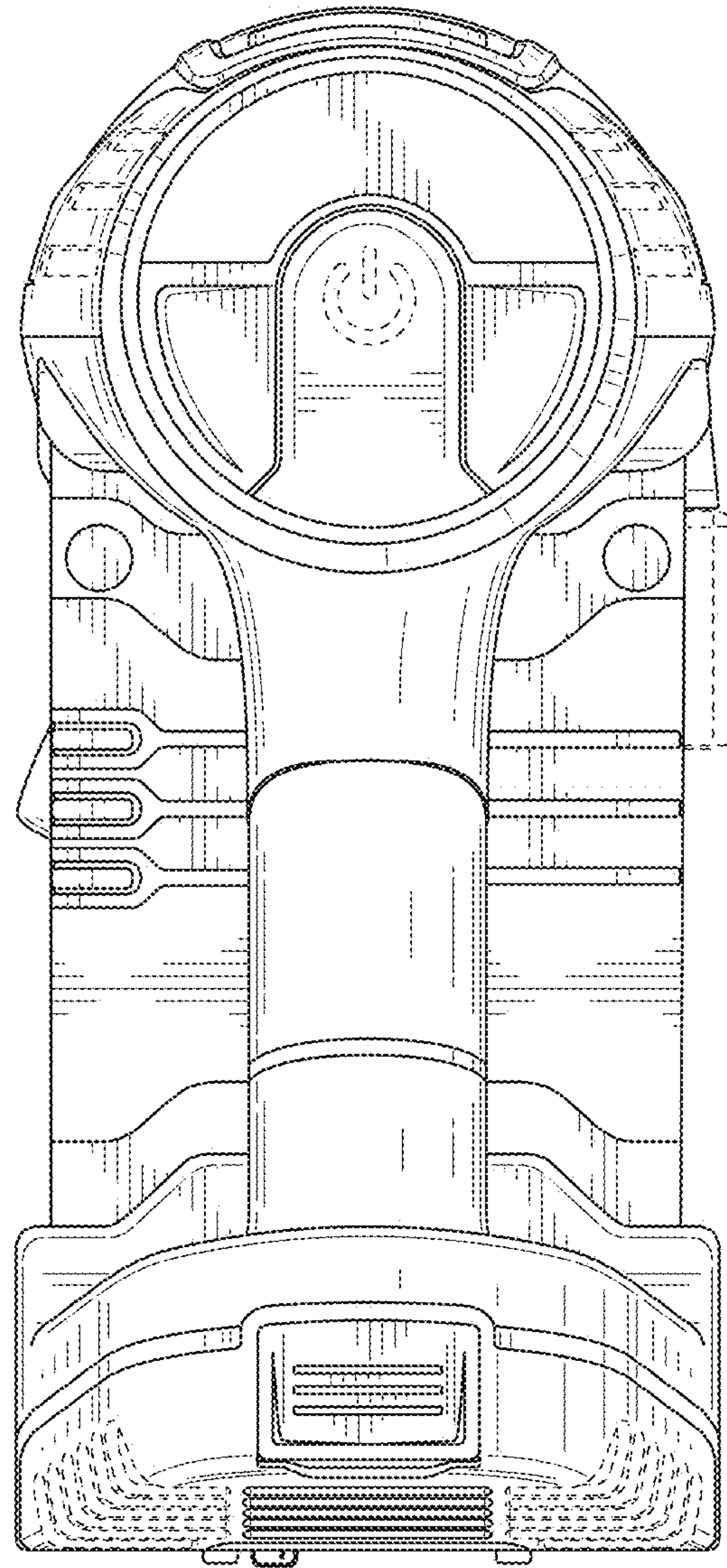


FIG. 10



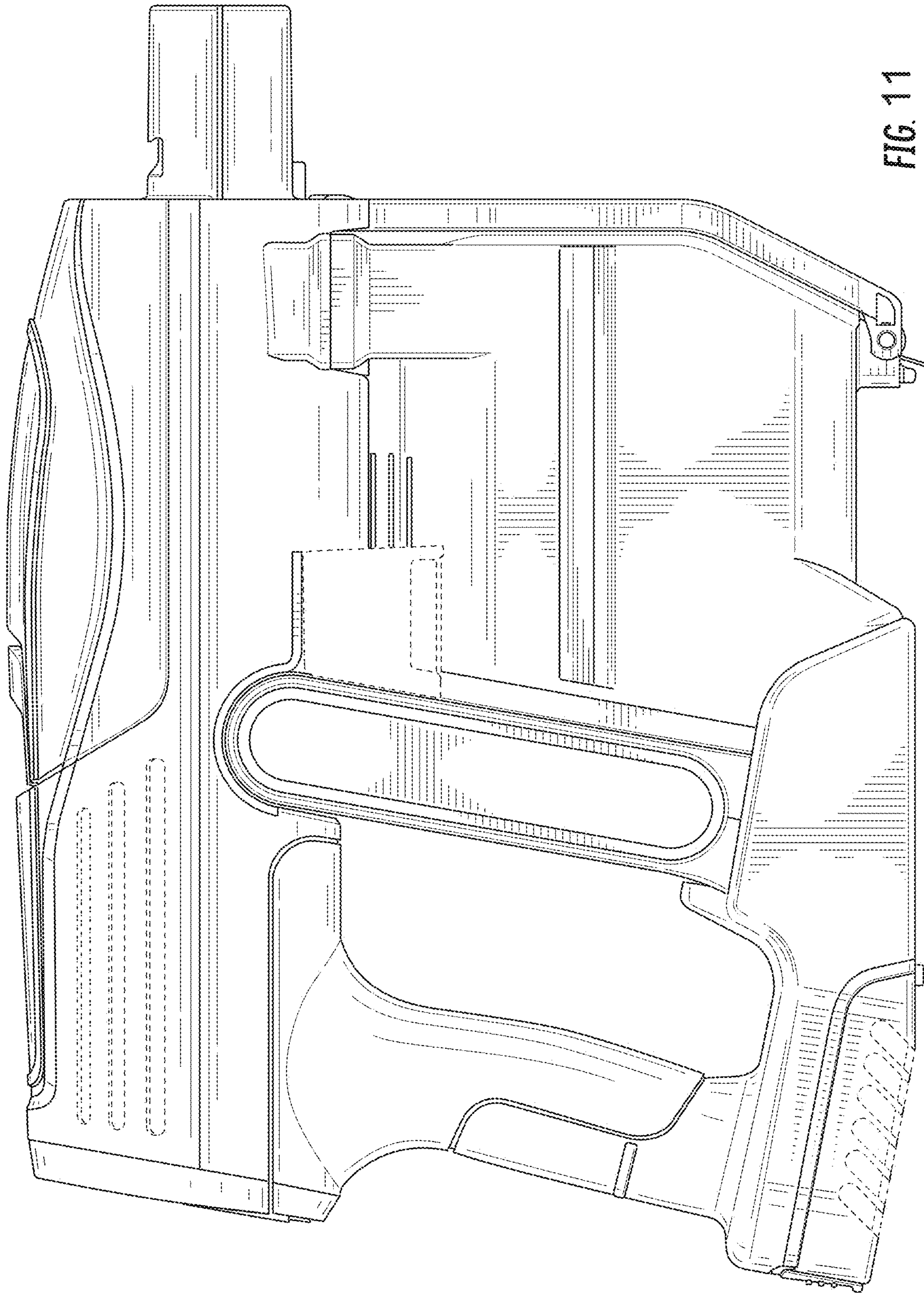


FIG. 11



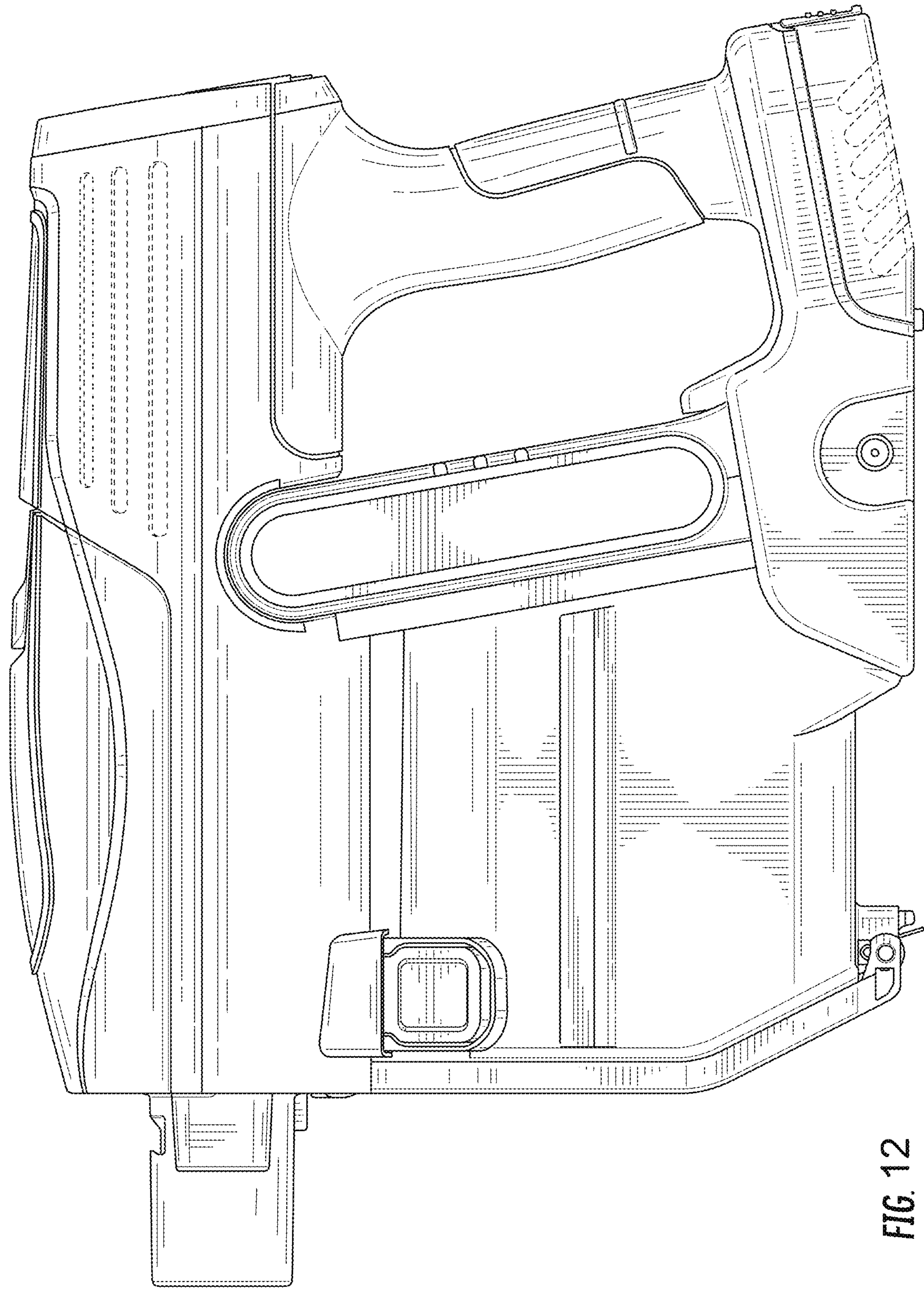


FIG. 12

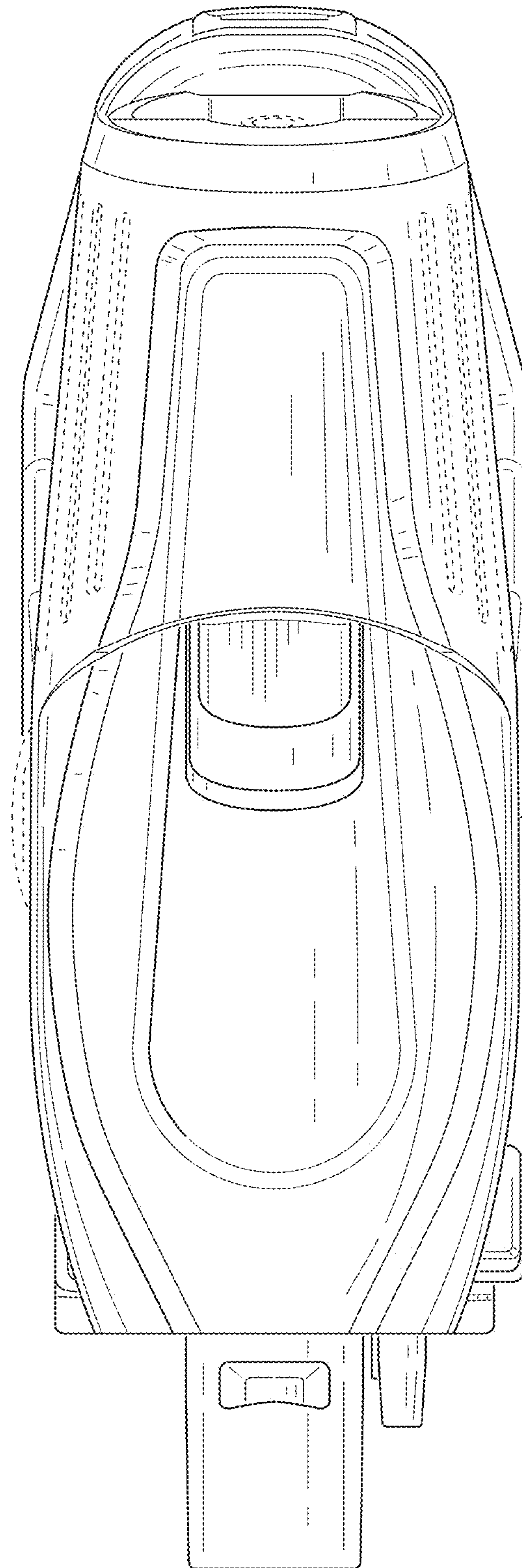


FIG. 13



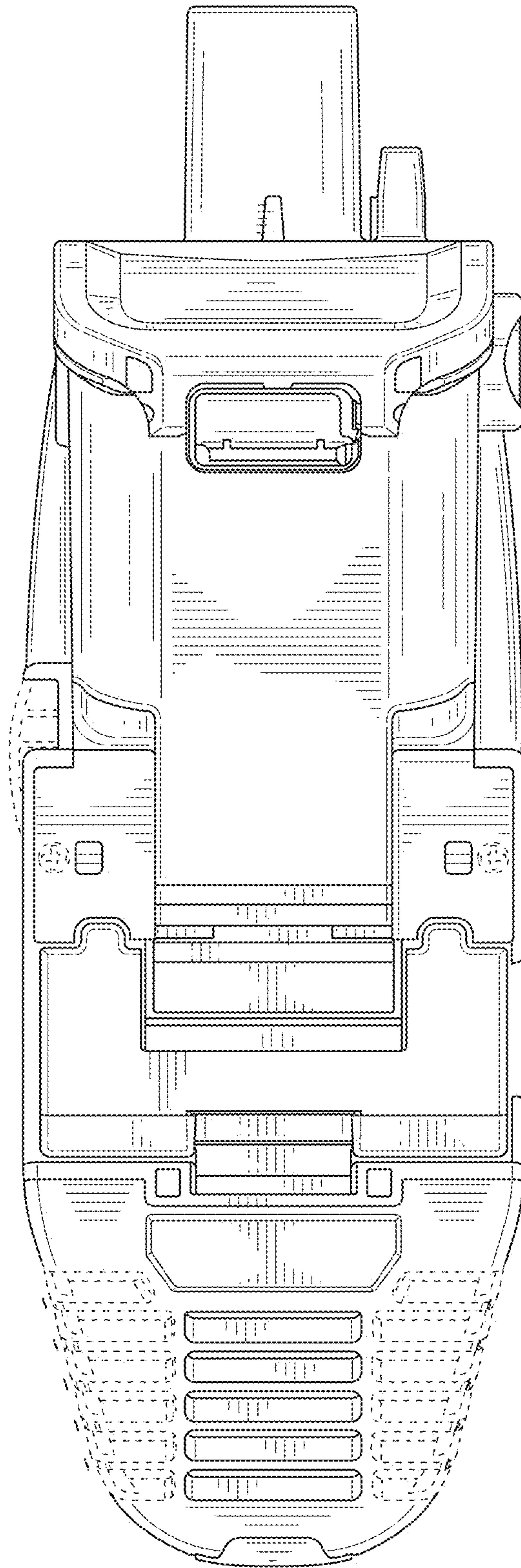


FIG. 14