



US00D879392S

(12) **United States Design Patent**
Guirlinger

(10) **Patent No.:** **US D879,392 S**

(45) **Date of Patent:** **** Mar. 24, 2020**

(54) **PLUNGER COVER**

(71) Applicant: **Edward G. Guirlinger**, New Albany,
OH (US)

(72) Inventor: **Edward G. Guirlinger**, New Albany,
OH (US)

(**) Term: **15 Years**

(21) Appl. No.: **29/639,690**

(22) Filed: **Mar. 8, 2018**

(51) **LOC (12) Cl.** **15-05**

(52) **U.S. Cl.**
USPC **D32/14**

(58) **Field of Classification Search**
USPC D32/14, 15, 25
CPC A47K 10/22
See application file for complete search history.

(56) **References Cited**

U.S. PATENT DOCUMENTS

3,622,010	A *	11/1971	Renelt	A47K 10/22
					211/85.5
D292,631	S *	11/1987	Tash	D32/14
5,040,679	A *	8/1991	Rehmann	A47K 10/22
					206/225
5,456,356	A *	10/1995	Kurzawa	A47K 10/22
					206/225
D437,463	S *	2/2001	Garay	D32/14
D450,895	S *	11/2001	Poston	D32/14
D457,277	S *	5/2002	Poston	D32/14
D575,914	S *	8/2008	Carty	D32/14
D722,210	S *	2/2015	Gwen	D32/14
D798,512	S *	9/2017	Newman	D32/14
D802,232	S *	11/2017	Fordyce	D32/14

D810,367	S *	2/2018	Hickerson	D32/14
D811,025	S *	2/2018	Fordyce	D32/14
D812,326	S *	3/2018	Taylor	D32/14
D851,340	S *	6/2019	Metzel	D32/14
D861,262	S *	9/2019	Scheuerman	D32/14

* cited by examiner

Primary Examiner — Michelle E. Wilson

(74) *Attorney, Agent, or Firm* — Robert R. Lech; Lech
Law, LLC

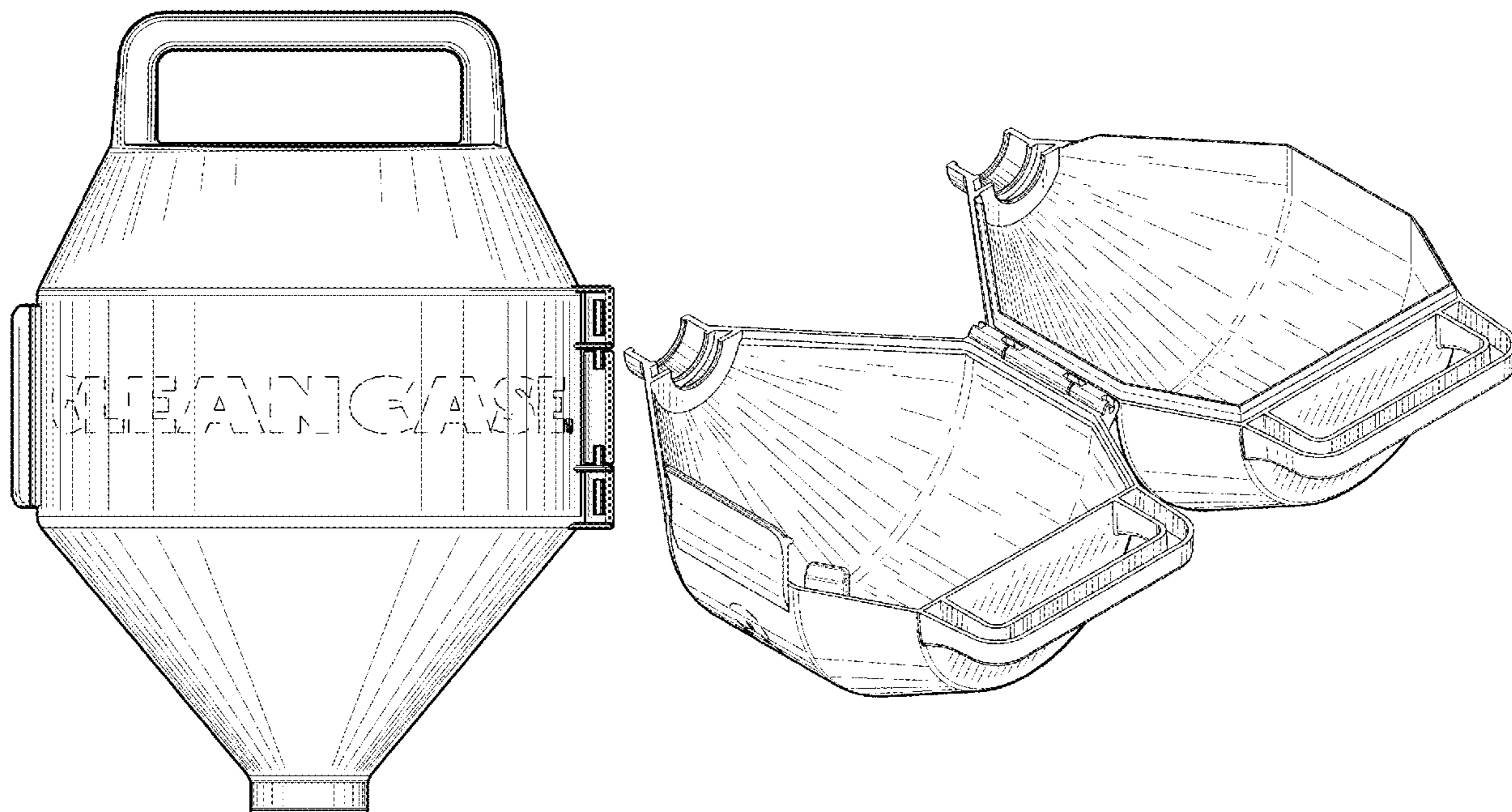
(57) **CLAIM**

What is claimed is the ornamental design for a plunger cover, as shown and described.

DESCRIPTION

FIG. 1 is a left side elevational view of a plunger cover;
 FIG. 2 is a right side elevational view of the plunger cover of FIG. 1;
 FIG. 3 is a top plan view of the plunger cover of FIG. 1;
 FIG. 4 is a bottom plan view of the plunger cover of FIG. 1;
 FIG. 5 is a front elevational view of the plunger cover of FIG. 1;
 FIG. 6 is a rear elevational view of the plunger cover of FIG. 1;
 FIG. 7 is a perspective, environmental view of the plunger cover of FIG. 1 in a closed configuration;
 FIG. 8 is a perspective, environmental view of the plunger cover of FIG. 1 in an open configuration; and,
 FIG. 9 is a perspective view of the plunger cover of FIG. 1 in an open configuration.
 The broken lines showing an article upon which the plunger cover is installed are included for the purpose of illustrating environment and form no part of the claimed design.

1 Claim, 9 Drawing Sheets



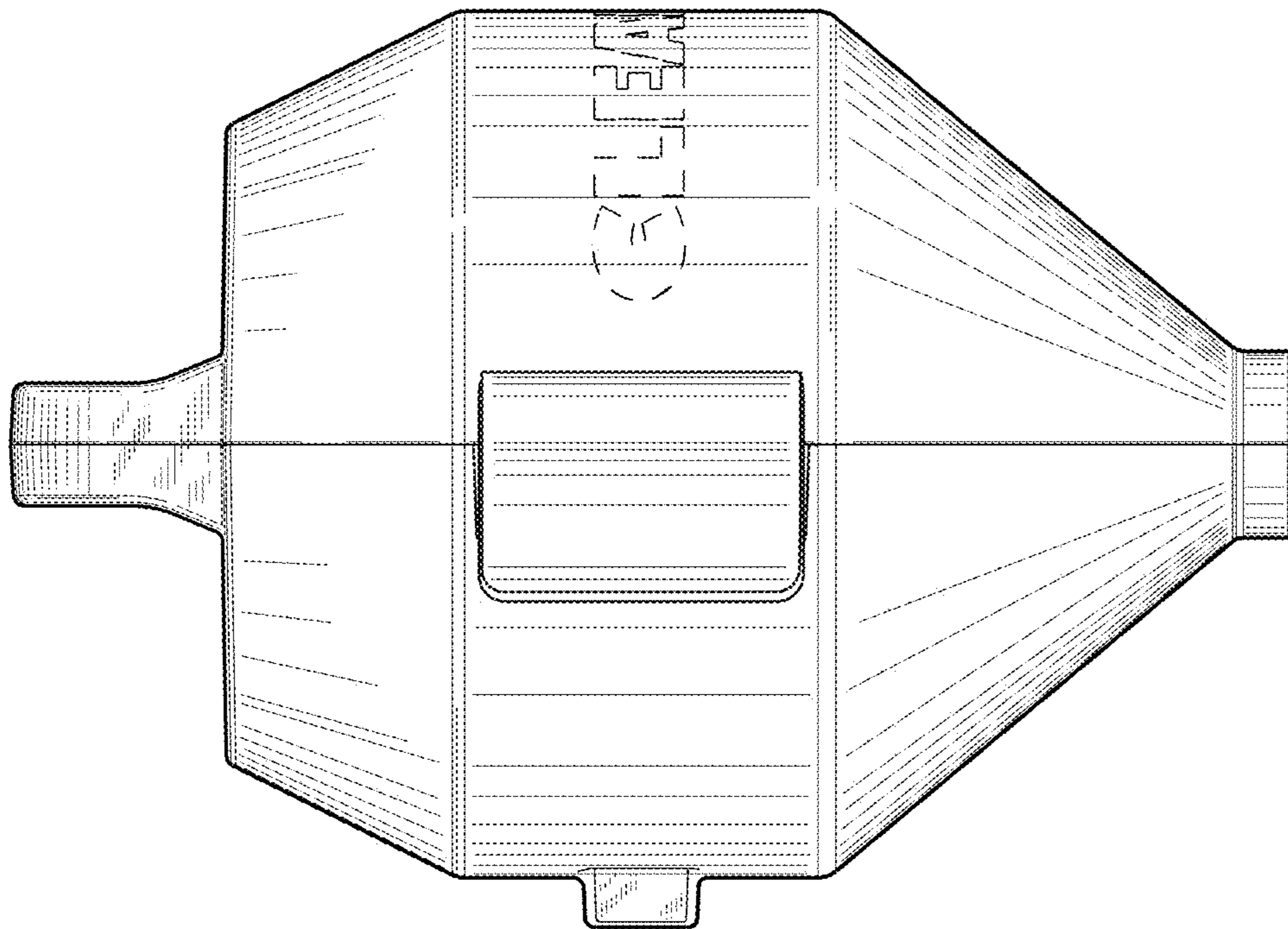


FIG. 1

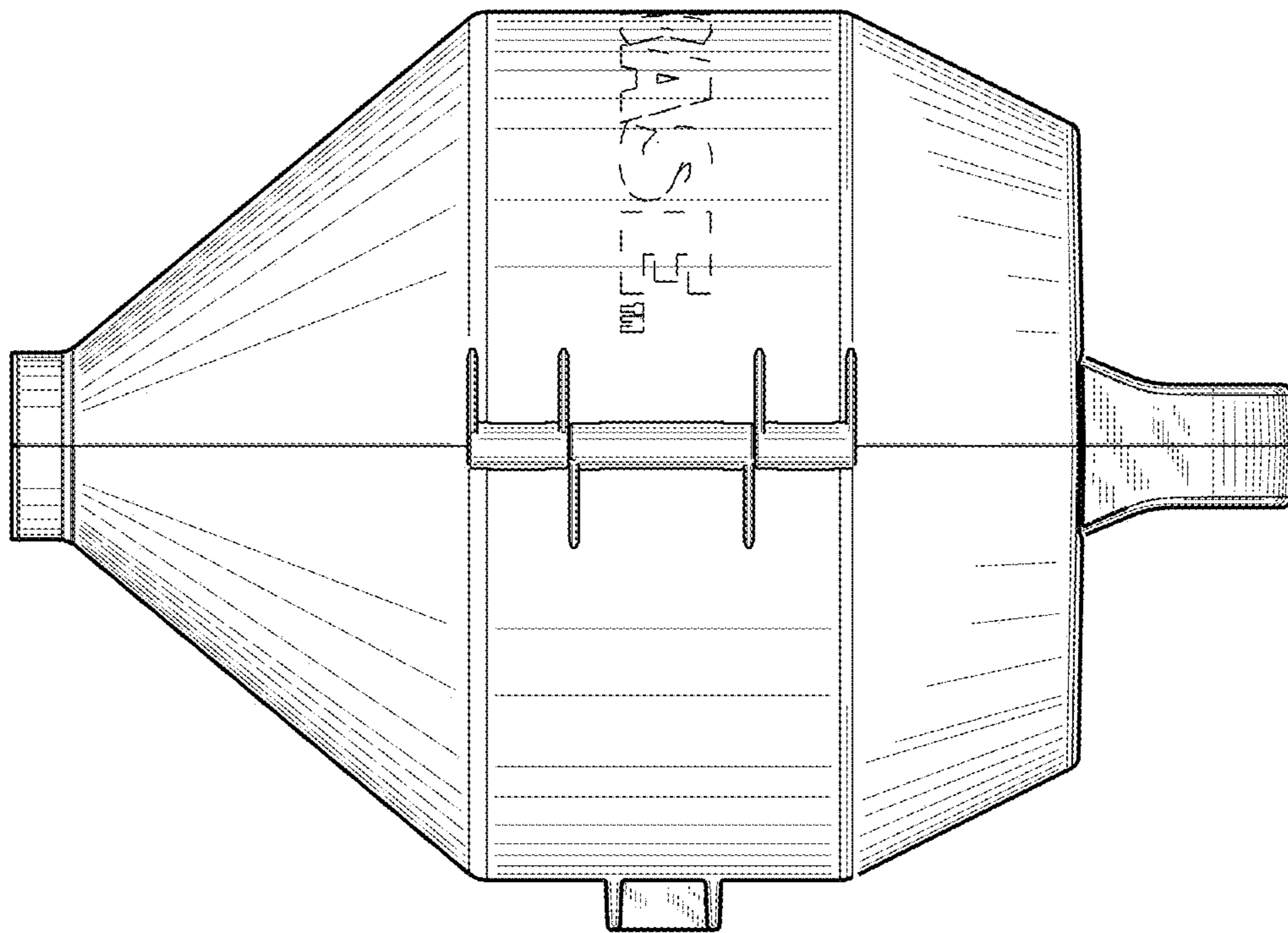


FIG. 2

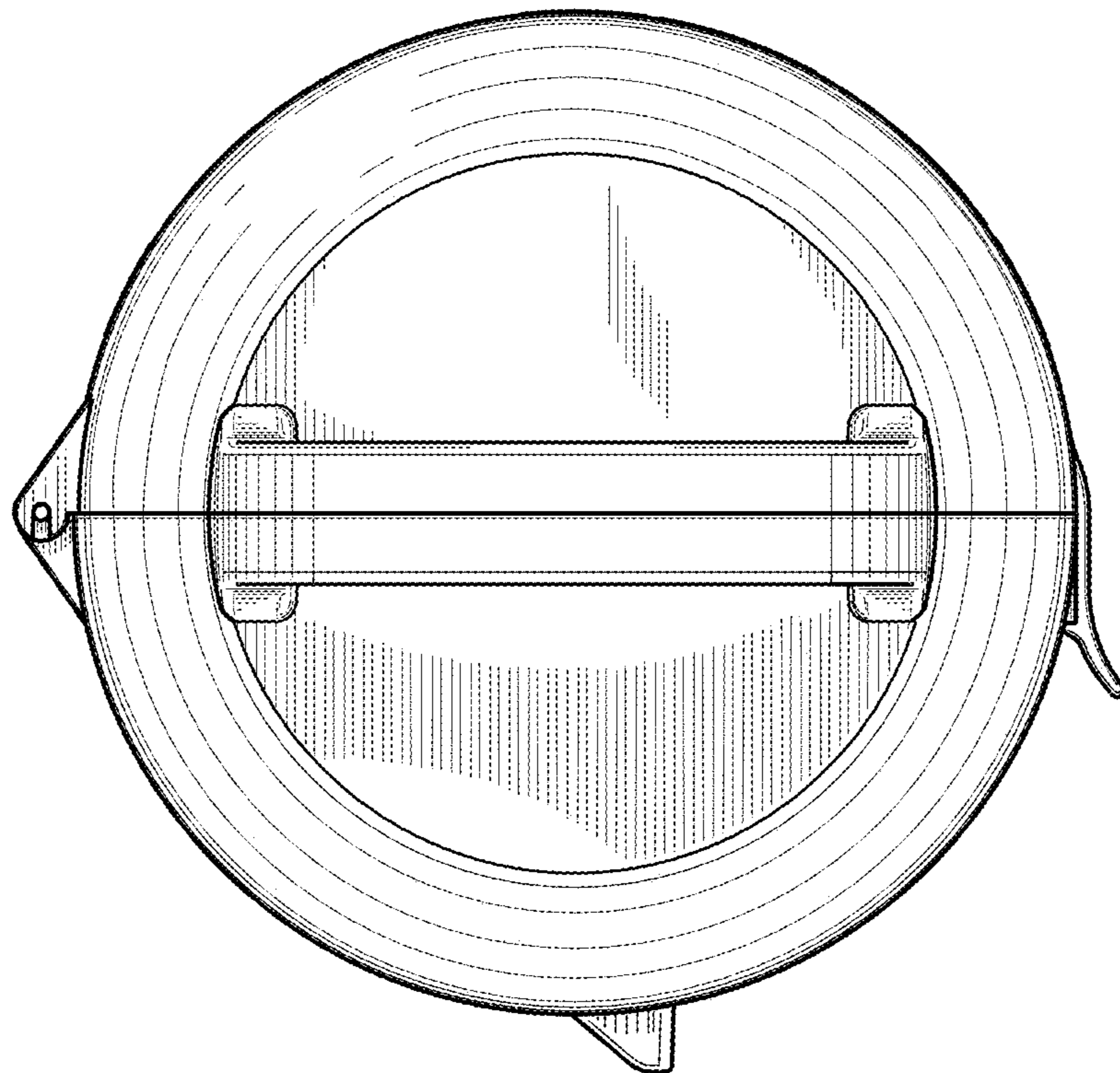


FIG. 3

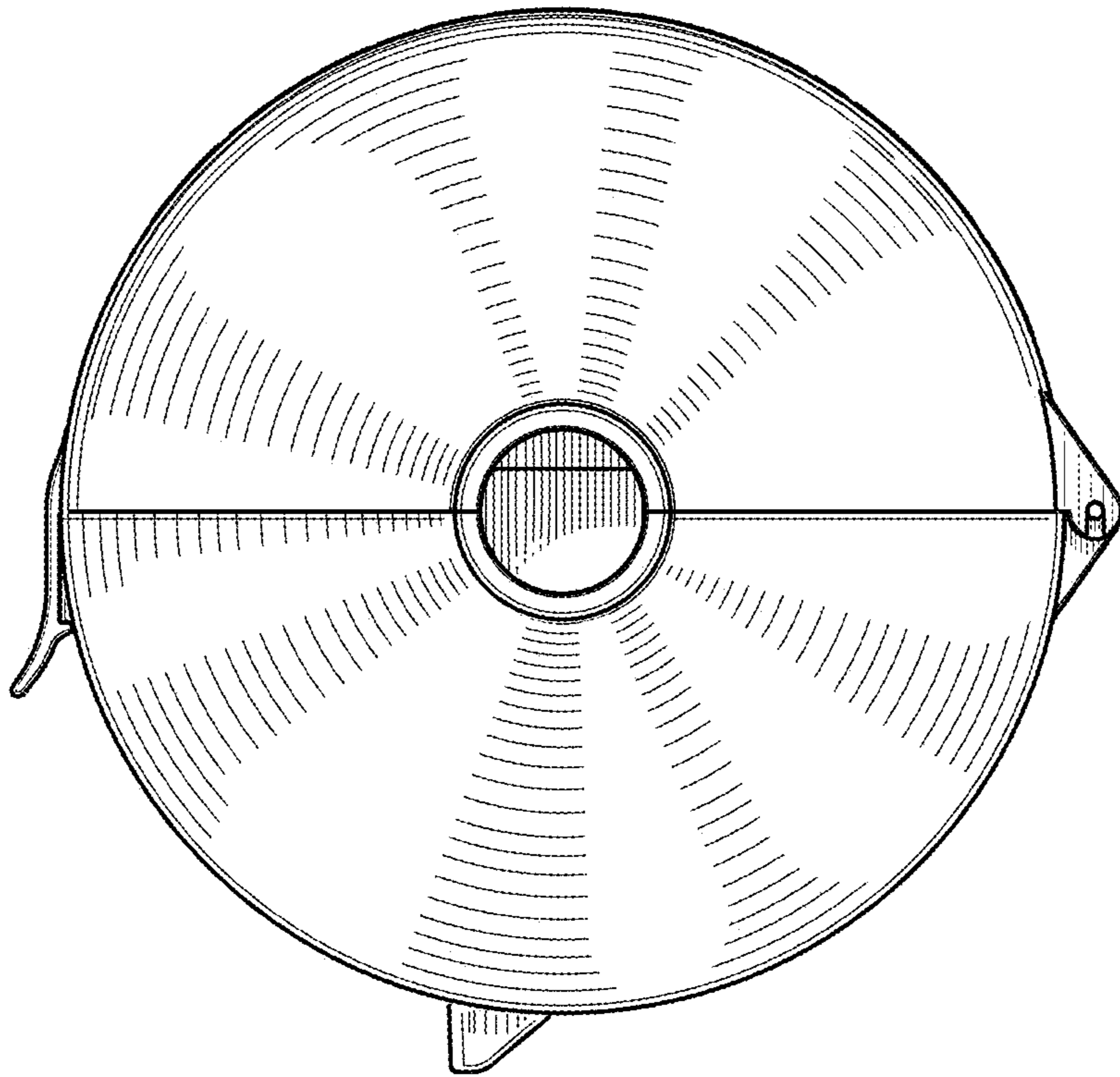


FIG. 4

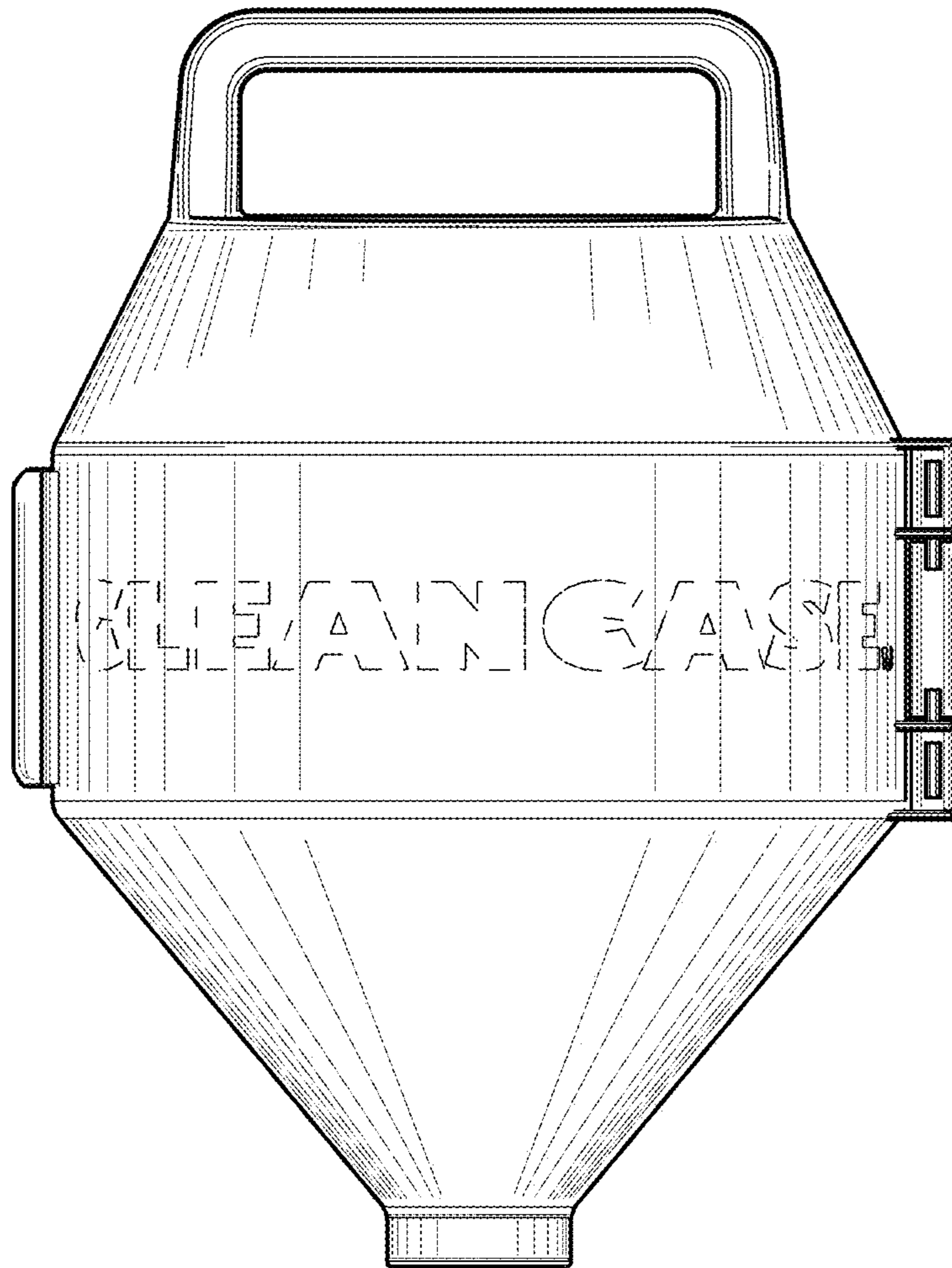


FIG. 5

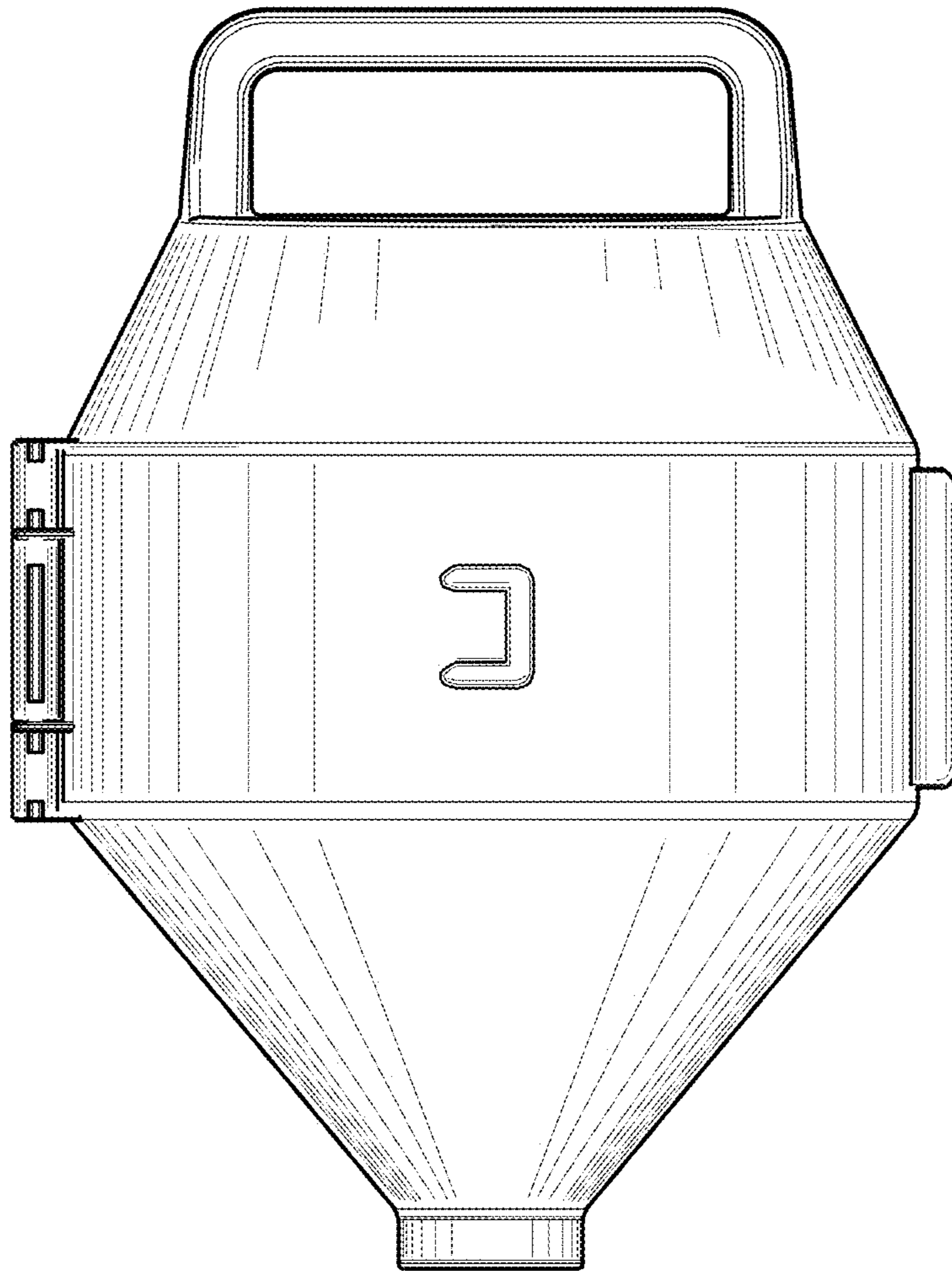


FIG. 6

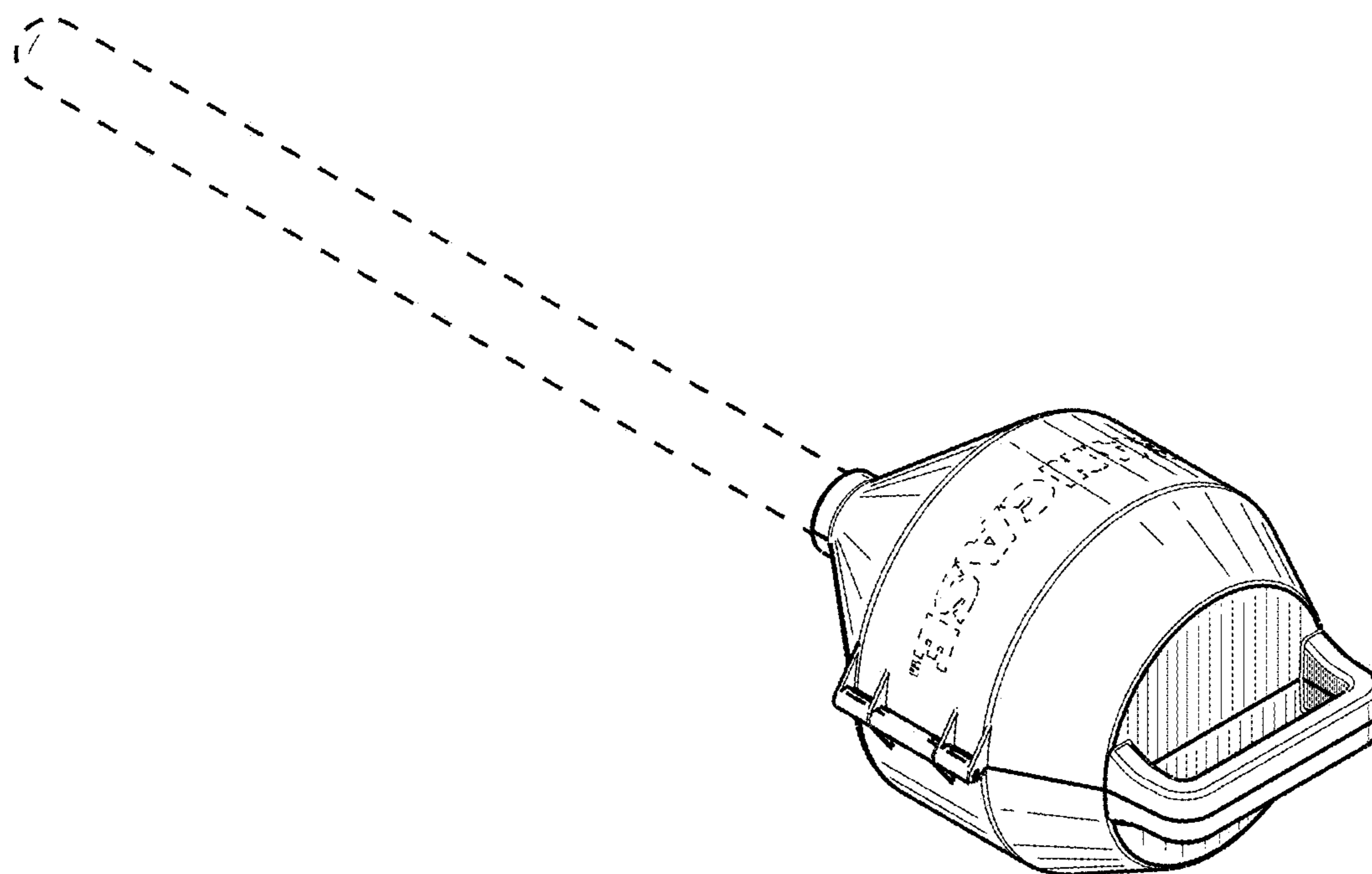


FIG. 7

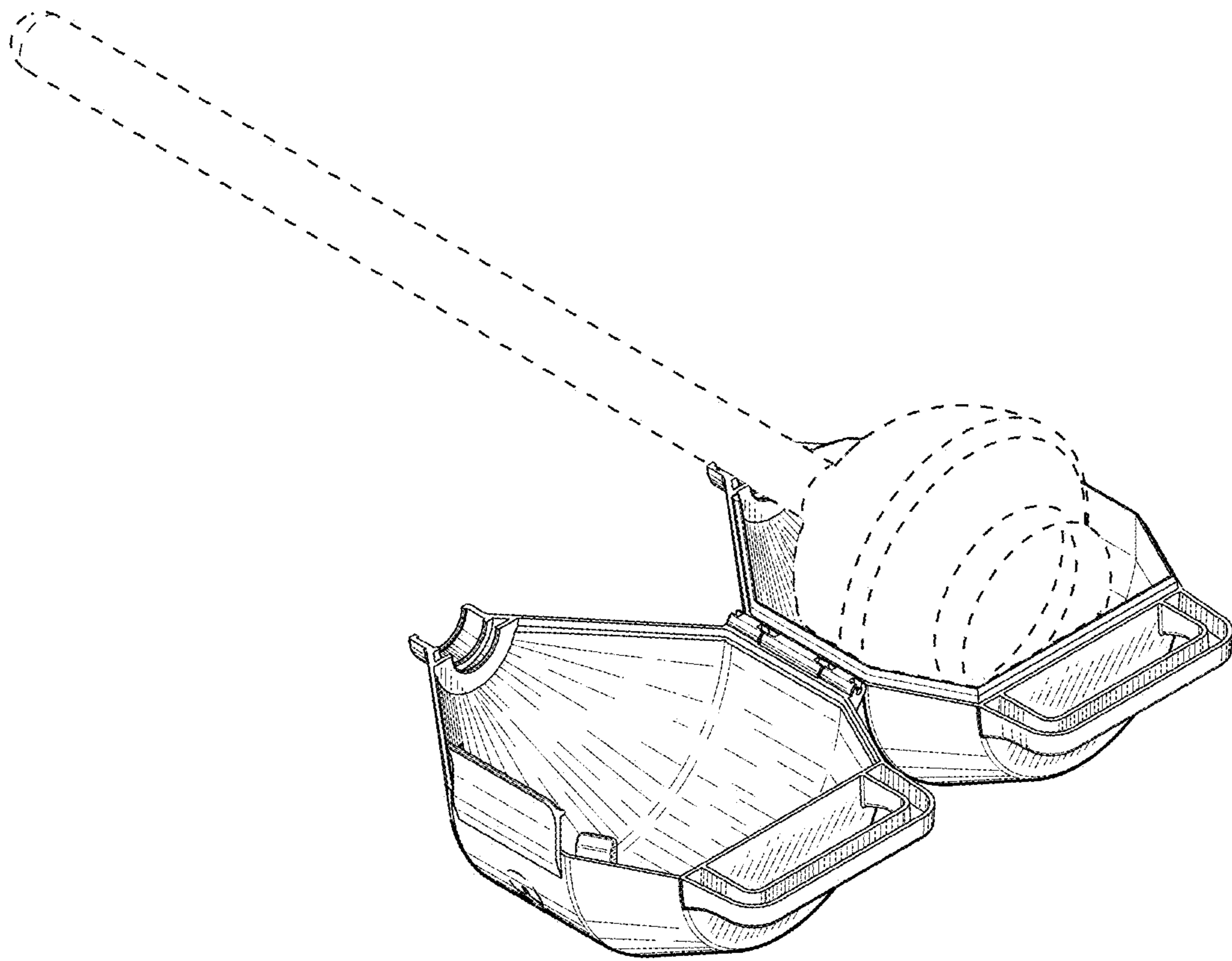


FIG. 8

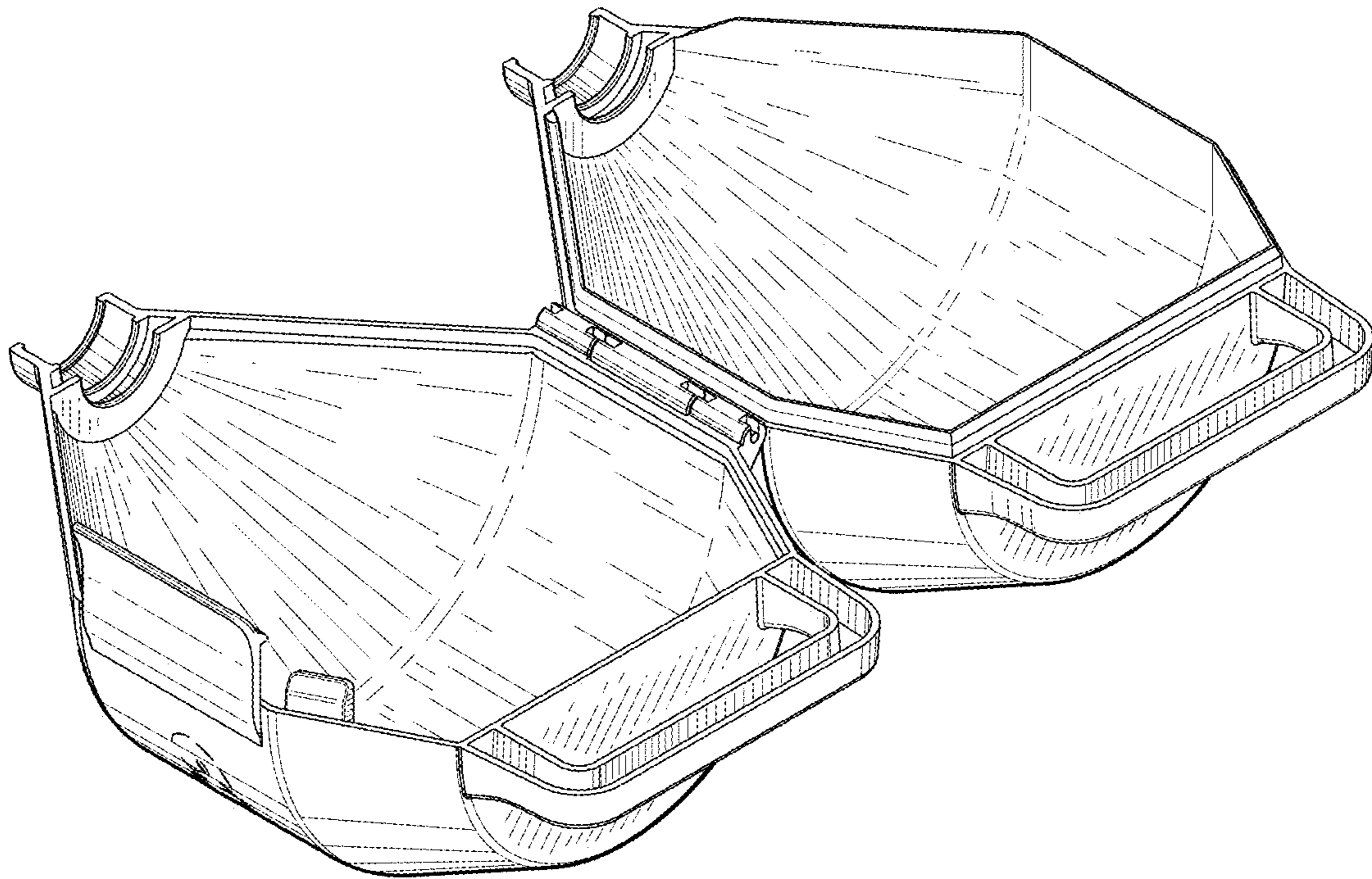


FIG. 9