



US00D879391S

(12) **United States Design Patent**
Guirlinger

(10) **Patent No.:** **US D879,391 S**

(45) **Date of Patent:** **** Mar. 24, 2020**

(54) **EXTENDABLE HANDLE**

(71) Applicant: **Edward G. Guirlinger**, New Albany, OH (US)

(72) Inventor: **Edward G. Guirlinger**, New Albany, OH (US)

(**) Term: **15 Years**

(21) Appl. No.: **29/637,947**

(22) Filed: **Feb. 23, 2018**

(51) **LOC (12) Cl.** **15-05**

(52) **U.S. Cl.**

USPC **D32/14**

(58) **Field of Classification Search**

USPC D32/14, 24, 34, 49, 51, 52, 69, 72;
D4/118, 132

CPC . F16K 31/46; B25G 1/04; B62B 9/20; A01M
3/02; E03C 1/308

See application file for complete search history.

(56) **References Cited**

U.S. PATENT DOCUMENTS

4,120,114	A *	10/1978	Little	A01M 3/02 43/137
D267,711	S *	1/1983	Perego	B62B 9/20 D12/133
D364,741	S *	12/1995	Reuter, III	D4/121
D378,322	S *	3/1997	Young	D32/42
D532,480	S *	11/2006	Garcia	D22/124
D685,152	S *	6/2013	Smith	D32/40
D685,968	S *	7/2013	Smith	D32/45
D685,969	S *	7/2013	Smith	D32/50
2005/0172385	A1 *	8/2005	Jiang	E03C 1/308 4/255.05
2011/0095213	A1 *	4/2011	Roman	F16K 31/46 251/12
2011/0097136	A1 *	4/2011	Roman	B25G 1/04 401/261

* cited by examiner

Primary Examiner — Michelle E. Wilson

(74) *Attorney, Agent, or Firm* — Robert R. Lech; Lech Law, LLC

(57) **CLAIM**

What is claimed is the ornamental design for an extendable handle, as shown and described.

DESCRIPTION

FIG. 1 is an upper-front-left 3D view of an extendable handle in a collapsed configuration;

FIG. 2 is a lower-front-left 3D view of the extendable handle of FIG. 1;

FIG. 3 is an upper-rear-right 3D view of the extendable handle of FIG. 1;

FIG. 4 is a lower-rear-right 3D view of the extendable handle of FIG. 1;

FIG. 5 is a left side elevational view of the extendable handle of FIG. 1;

FIG. 6 is a top side elevational view of the extendable handle of FIG. 1;

FIG. 7 is a bottom side elevational view of the extendable handle of FIG. 1;

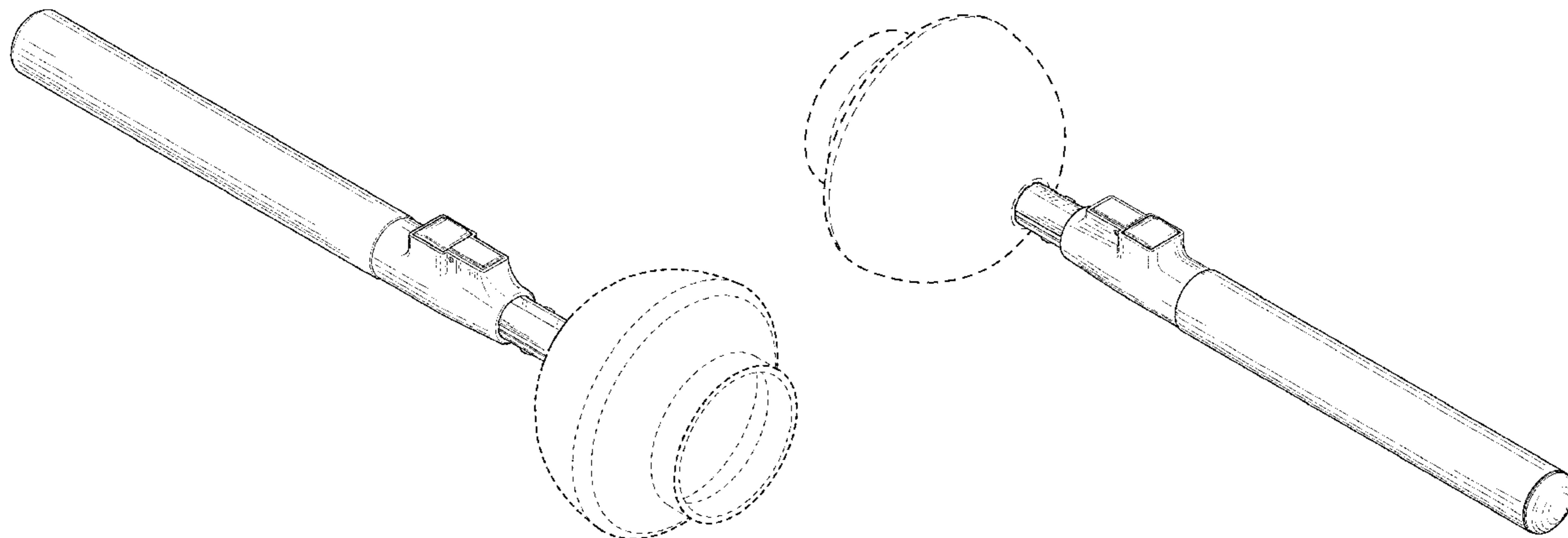
FIG. 8 is a front side elevational view of the extendable handle of FIG. 1;

FIG. 9 is a rear side elevational view of the extendable handle of FIG. 1; and,

FIG. 10 is an upper-front-right 3D view of the extendable handle of FIG. 1 in an extended configuration.

The broken lines showing the plunger portion that is mounted to the extendable handle, are included for the purpose of illustrating environment, and forms no part of the claimed design.

1 Claim, 10 Drawing Sheets



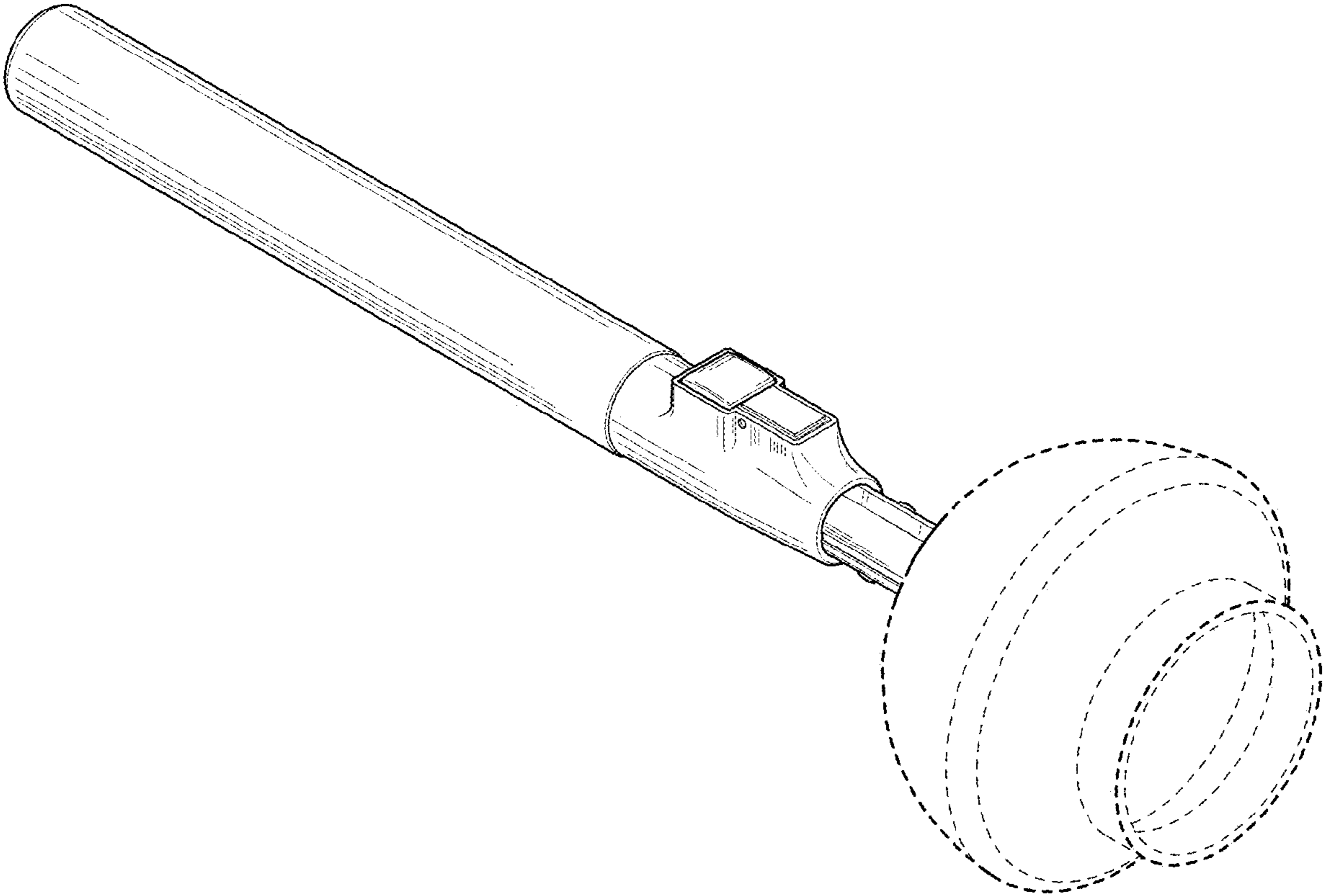


FIG. 1

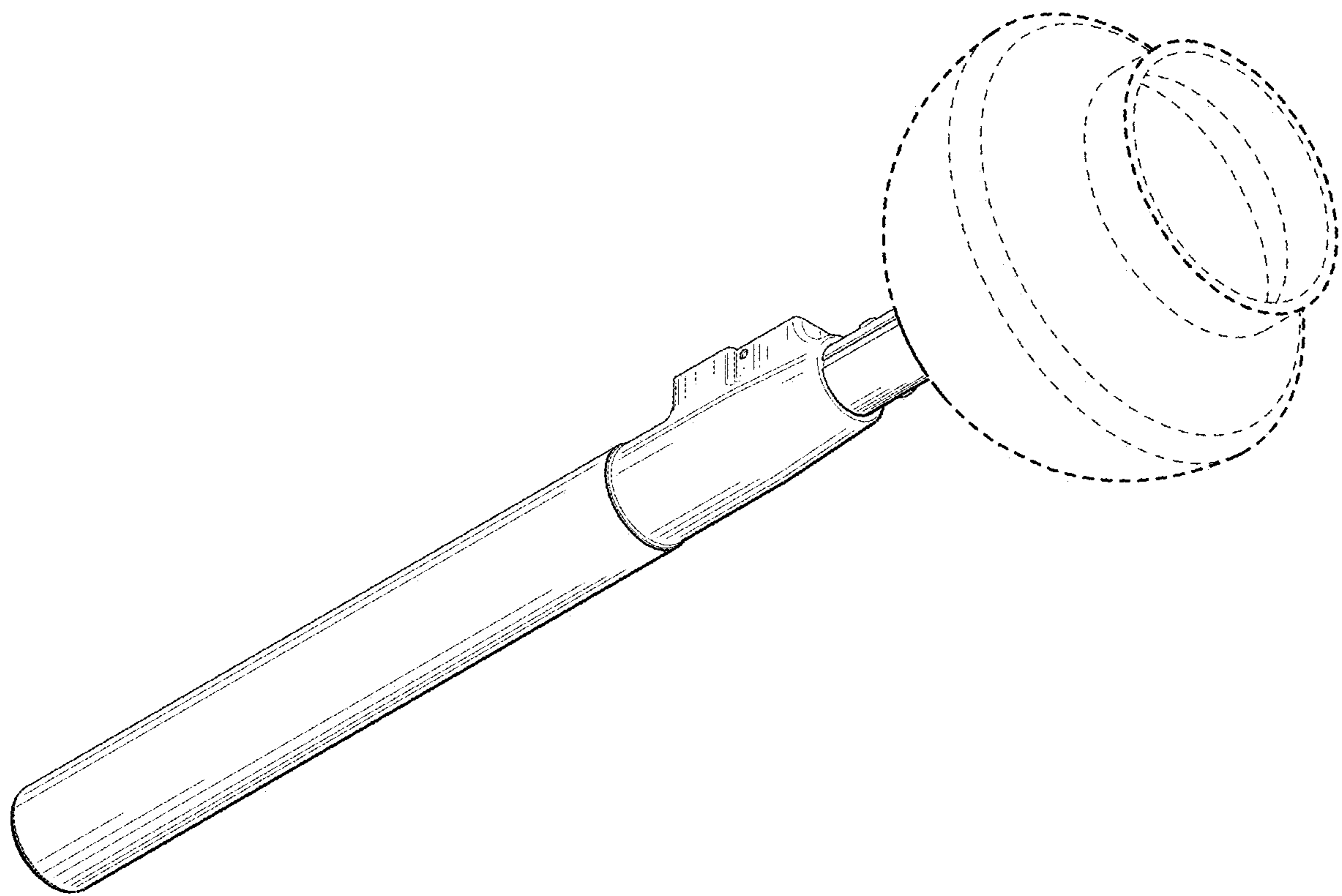


FIG. 2

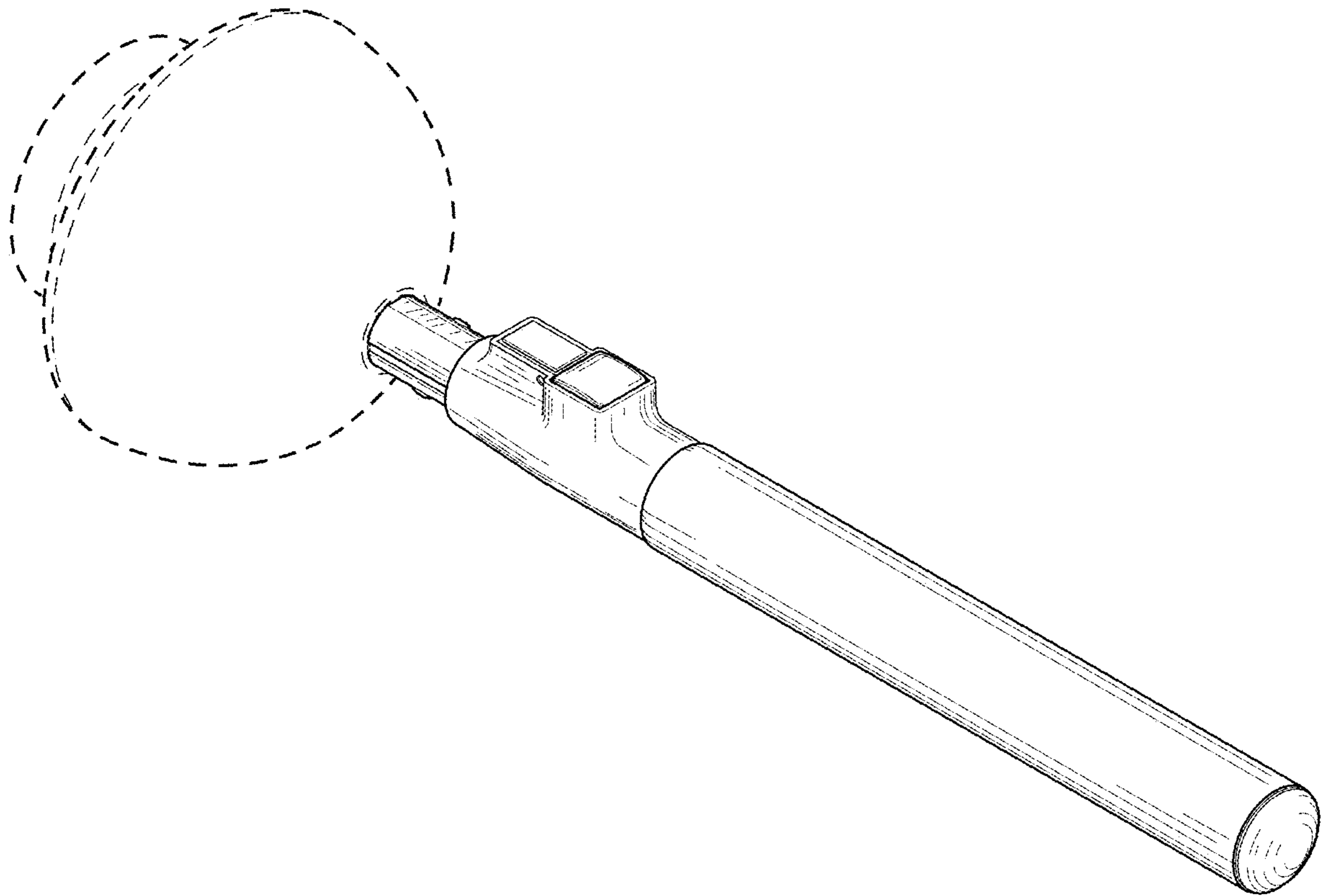


FIG. 3

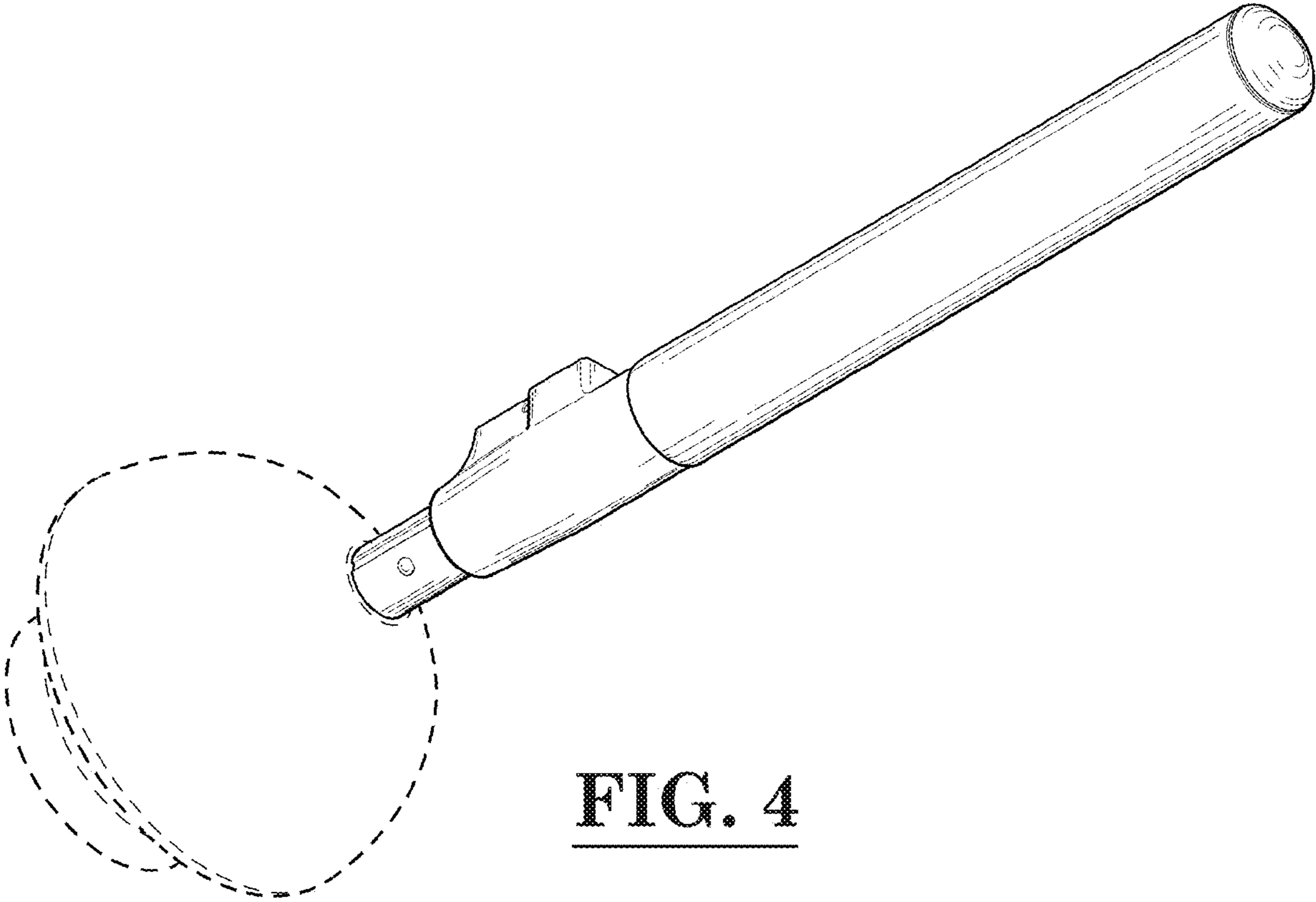


FIG. 4

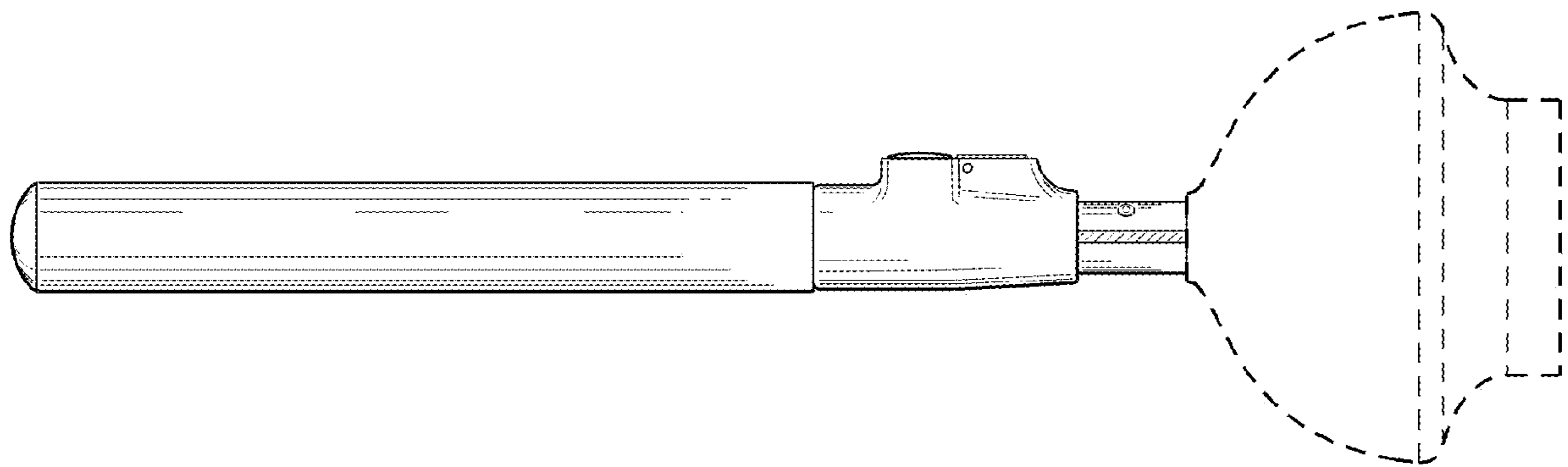


FIG. 5

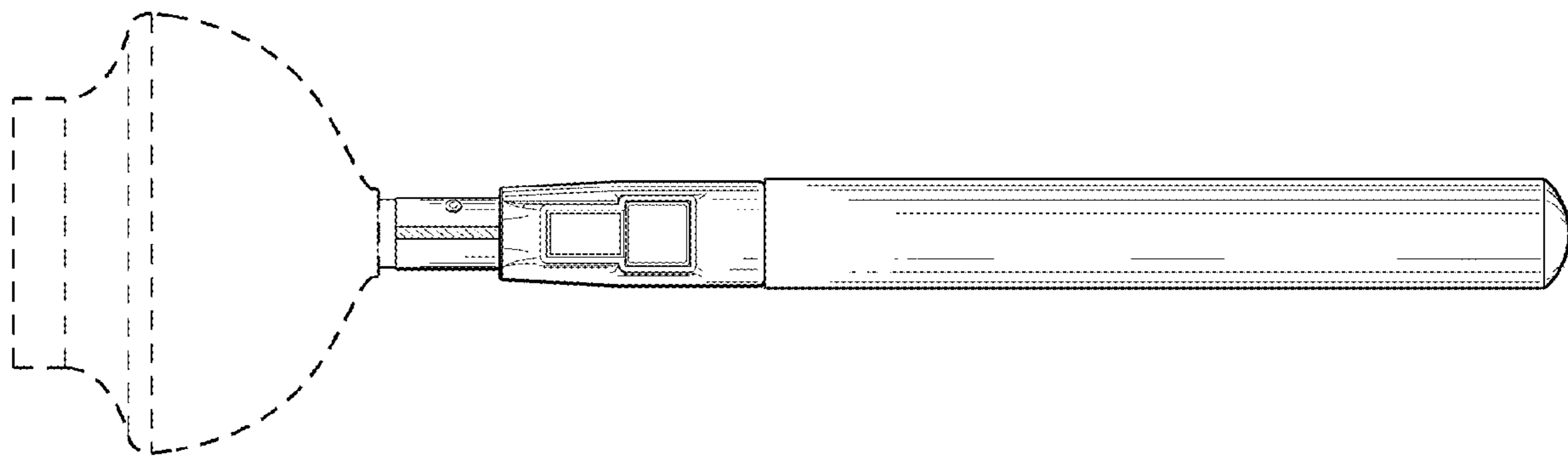


FIG. 6

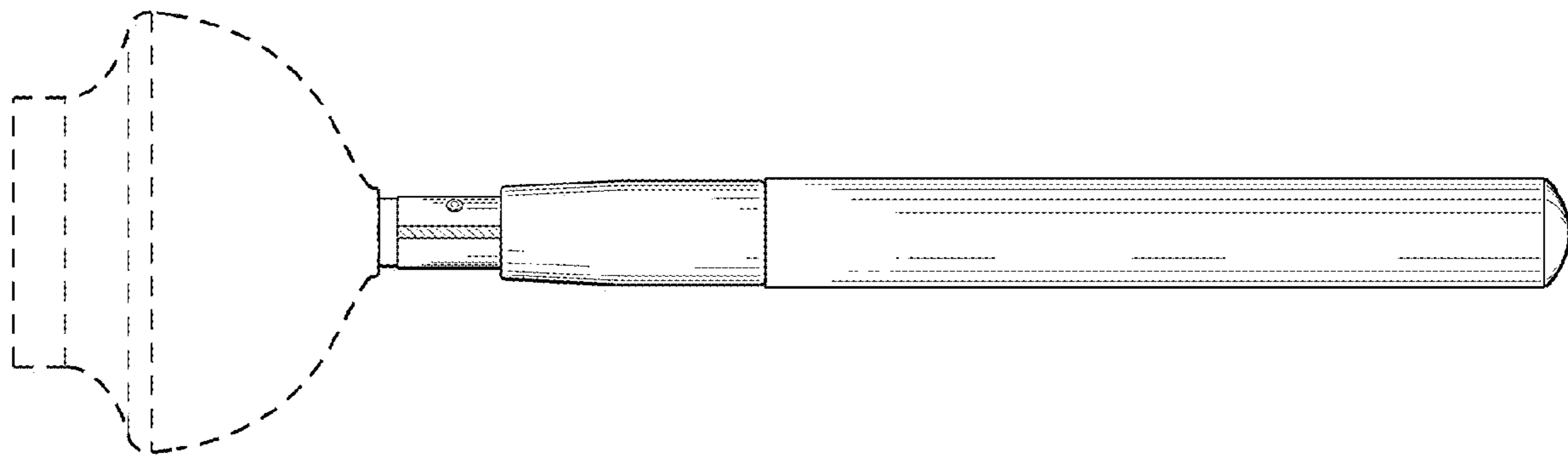


FIG. 7

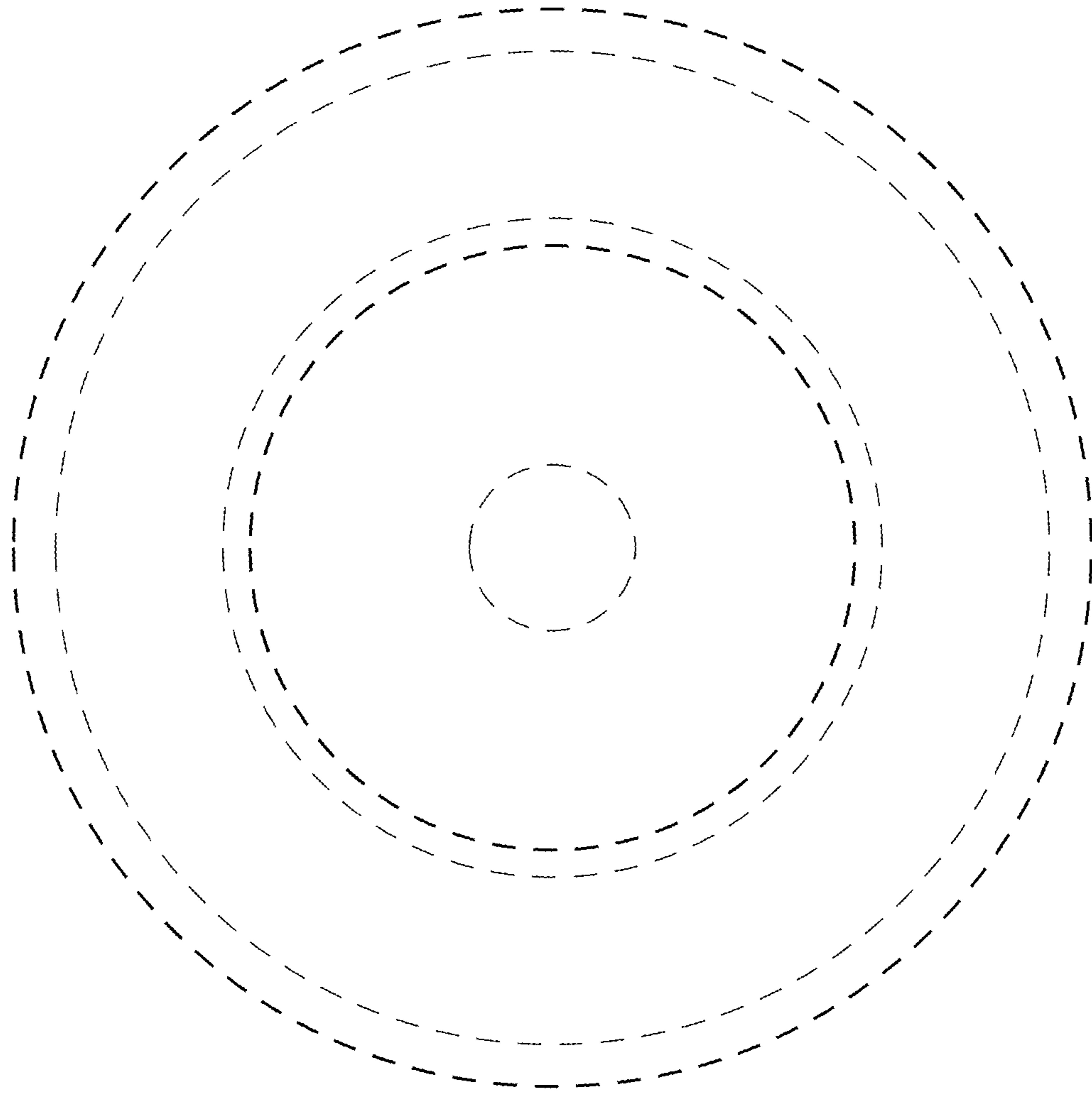


FIG. 8

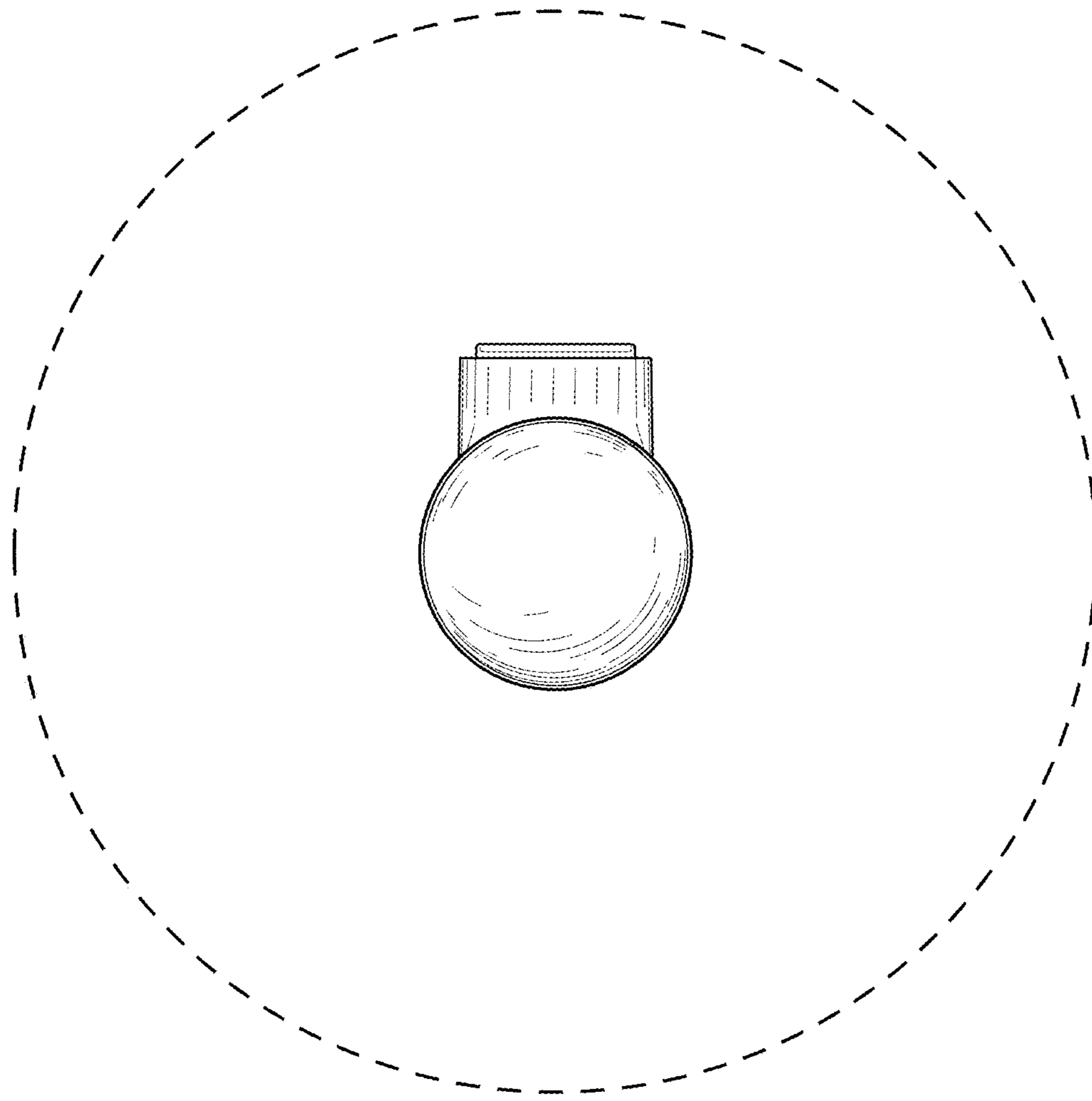


FIG. 9

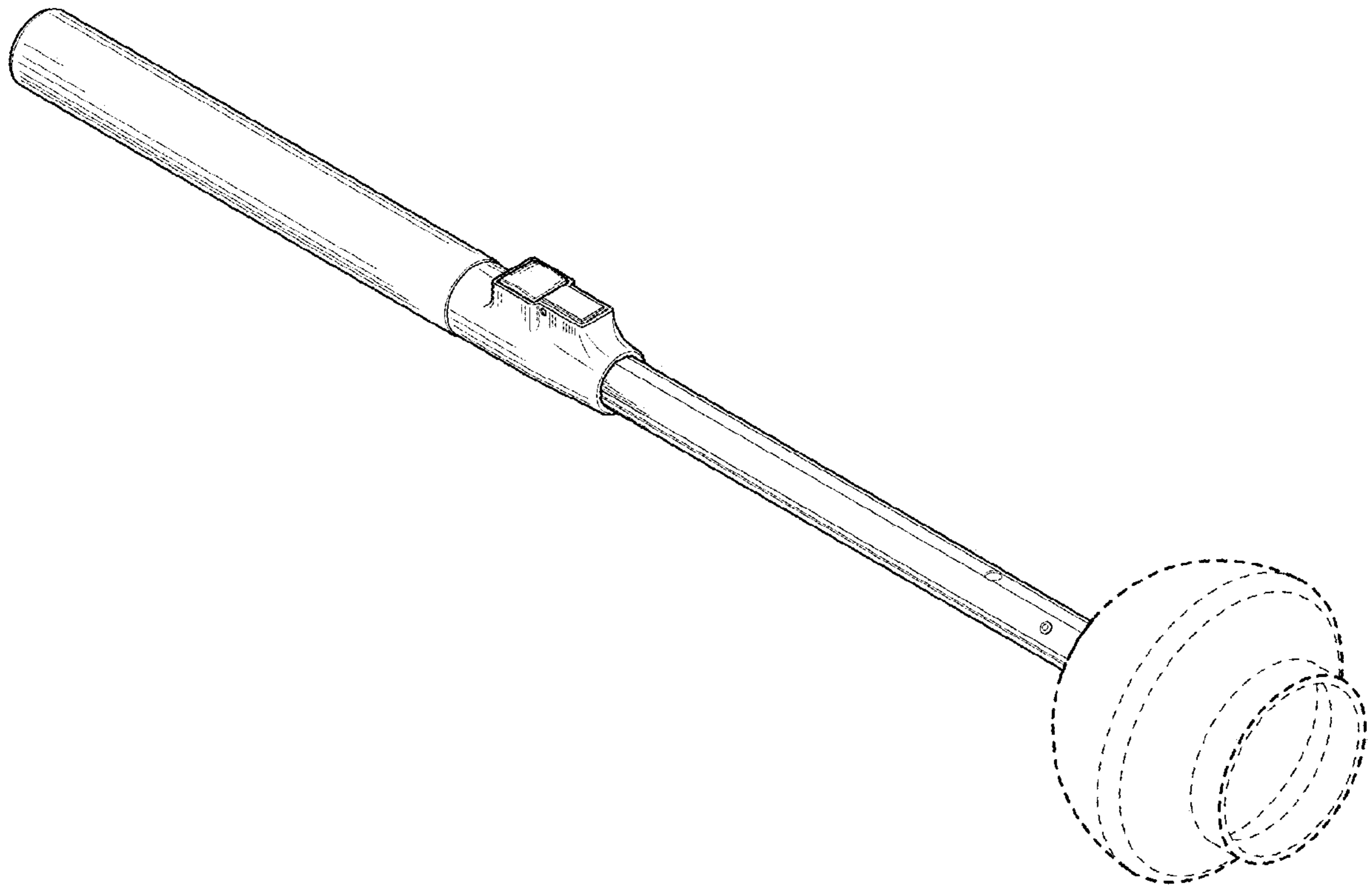


FIG. 10