

US00D879390S

(12) **United States Design Patent**
Cai

(10) **Patent No.:** **US D879,390 S**
(45) **Date of Patent:** **** Mar. 24, 2020**

- (54) **DOG TRAINING DEVICE SET**
- (71) Applicant: **Xianlin Cai**, Shenzhen (CN)
- (72) Inventor: **Xianlin Cai**, Shenzhen (CN)
- (**) Term: **15 Years**
- (21) Appl. No.: **29/659,589**
- (22) Filed: **Aug. 9, 2018**
- (51) **LOC (12) Cl.** **30-99**
- (52) **U.S. Cl.**
USPC **D30/199; D10/104.1**
- (58) **Field of Classification Search**
USPC D30/151-155, 144, 199, 160;
119/792-798, 850, 855-859, 863-865,
119/654, 905, 907, 815, 712, 802, 784,
119/769, 760, 776, 862, 908, 860,
119/719-721; 242/381.1-381.2, 385.4,
242/378.3, 376.1, 385.1, 916, 601, 570,
242/405, 404, 371, 223, 170, 388.1,
242/405.2, 377, 381.3, 381.6, 405.3,
242/388.6, 384.7, 382, 396.1, 404.1, 380;
362/108; 33/767, 769, 414; D12/400;
D3/229, 230, 207, 208, 215; 40/1.5, 455,
40/640, 303; 206/63.3, 459.5, 702, 408;
D6/515; D8/358, 360, 347, 360.1, 359,
D8/356, DIG. 1; D24/145, 167, 186, 146,
D24/169; D10/57, 72, 106.1, 104.1,
D10/104.2, 109.2, 70, 97, 98, 78, 65;
D20/28; 224/666, 678; 16/445; 283/74,
283/70; D11/232, 200, 216, 1, 2, 86, 87,
D11/201, 206-210, 212-215, 218;
24/163 K, 122.3, 323, 702, 600.4-600.7,
24/163 R, 169-171, 173, 177-179, 191,
24/194, 195, 197, 200, 303, 616, 635,
24/313, 615, 3, 6, 3 K, 599.2, 96, 221,
24/237, 311, 312, 314, 321, 338, 339,
24/309; 428/3, 4; 54/76, 1, 71; 63/29.1,
63/3; 191/12.2 R, 12.4; D13/154, 153,
D13/137.4, 155, 103, 168; D19/69, 67;
379/438; 446/26; 473/576; D22/140;

174/135; 439/504, 13, 501; D34/33;
188/83, 82.1, 65.1; 254/134.3 FT;
D29/124; D2/627, 624, 633, 625;
132/145, 146, 148; 2/314; 59/79.1;
340/573.3, 573.1, 573, 573.4,
340/539.13-539.19; 343/895;
278/8 AES; 231/7; 361/232; D14/344,
D14/341, 137, 155, 496, 203.5, 203.3,
D14/144, 218, 188, 216, 192;
342/357.51, 357.57, 357.52, 357.55;
455/100, 352, 456.1, 550.1; 315/291
CPC A01K 15/021; A01K 15/02; A01K 15/022;
A01K 15/023; A01K 15/029; A01K
15/04; A01K 15/00; A01K 15/006; A01K
12/022; A01K 27/009; A01K 27/00;
A01K 27/001;

(Continued)

(56) **References Cited**

U.S. PATENT DOCUMENTS

D380,692 S * 7/1997 Heun D30/152
D408,396 S * 4/1999 Tyneski D14/137

(Continued)

Primary Examiner — Susan Moon Lee

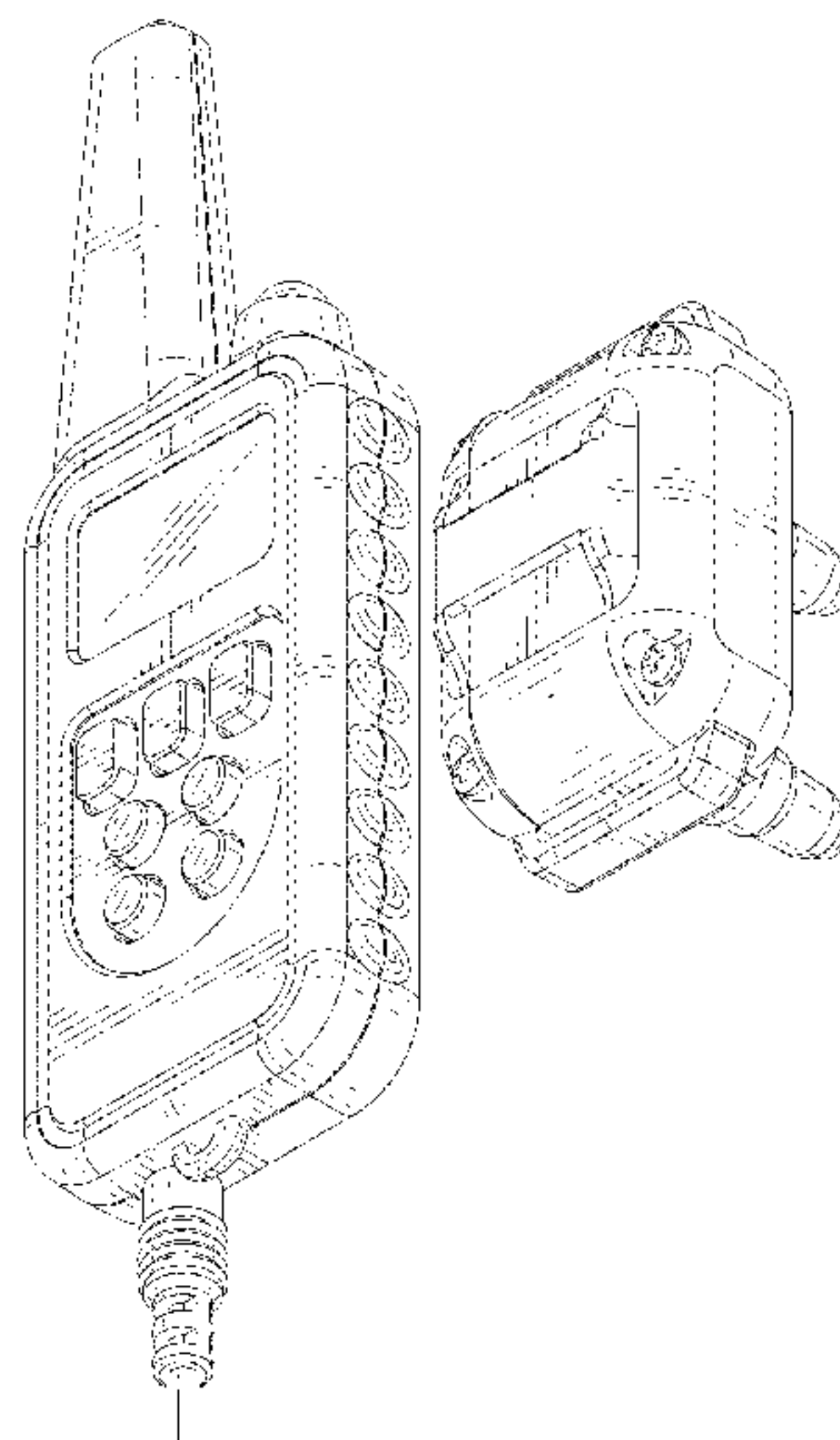
(57) **CLAIM**

I claim the ornamental design for a dog training device set, as shown and described.

DESCRIPTION

FIG. 1 is a front perspective view of a dog training device set, showing my new design;
FIG. 2 is a rear perspective view thereof;
FIG. 3 is a front view thereof;
FIG. 4 is a rear view thereof;
FIG. 5 is a left side view thereof;
FIG. 6 is a right side view thereof;
FIG. 7 is a top view thereof; and,
FIG. 8 is a bottom view thereof.

1 Claim, 8 Drawing Sheets



(58) **Field of Classification Search**

CPC A01K 27/006-008; A01K 29/005; A01K 29/00; A61B 5/0002-0028; A61B 5/681; A61B 5/6822; A61B 5/6824; A61B 5/6829; G01S 5/0294

See application file for complete search history.

(56) **References Cited**

U.S. PATENT DOCUMENTS

6,170,439 B1 * 1/2001 Duncan A01K 15/021
119/720
D478,830 S * 8/2003 So D30/152
D529,476 S * 10/2006 Beaseley D14/147
D540,289 S * 4/2007 Liu D14/137
D553,037 S * 10/2007 Zakharyan D30/152
D572,220 S * 7/2008 Tran D14/137
D576,127 S * 9/2008 Tran D14/137
D576,128 S * 9/2008 Tran D14/137
D602,893 S * 10/2009 Nishida D14/137
D607,847 S * 1/2010 Elliott D13/168
D616,844 S * 6/2010 Xia D14/137
D644,133 S * 8/2011 Register D10/65
D677,230 S * 3/2013 Ooi D14/137
D683,915 S * 6/2013 So D30/152
D700,148 S * 2/2014 Paul D13/168
D706,500 S * 6/2014 Hu D30/152
D719,708 S * 12/2014 Ye D10/104.1
D721,861 S * 1/2015 Guo D10/104.1
D731,452 S * 6/2015 Yong D14/137
D742,817 S * 11/2015 Lammers-Meis D13/103
D761,224 S * 7/2016 Khairudin D14/137
D807,212 S * 1/2018 Chen D10/78
D811,016 S * 2/2018 Liu D30/152
D813,473 S * 3/2018 Ni D30/199

D815,372 S * 4/2018 Goetzl D30/199
D816,632 S * 5/2018 Yamamoto D14/137
D817,557 S * 5/2018 Liu D30/152
D820,128 S * 6/2018 Wong D10/78
D828,965 S * 9/2018 Wen D30/199
D834,432 S * 11/2018 Wang D10/78
D834,769 S * 11/2018 Wen D30/199
D835,364 S * 12/2018 Lee D30/199
D835,860 S * 12/2018 Li D30/199
D836,858 S * 12/2018 Zinn D30/199
D838,611 S * 1/2019 Xie D10/78
D842,147 S * 3/2019 Xie D10/78
D846,413 S * 4/2019 Wang D10/78
D846,521 S * 4/2019 Nakagawa D14/137
D852,073 S * 6/2019 Zhao D10/78
D853,666 S * 7/2019 Ni D30/199
D858,904 S * 9/2019 Zinn D30/152
D862,812 S * 10/2019 Jia D30/199
D863,242 S * 10/2019 Gordon D14/137
D870,399 S * 12/2019 Van Curen D30/152
2005/0020279 A1 * 1/2005 Markhovsky G01S 5/0294
455/456.1
2007/0012260 A1 * 1/2007 Boyd A01K 11/00
119/720
2008/0036610 A1 * 2/2008 Hokuf A01K 11/008
340/573.3
2009/0205583 A1 * 8/2009 So A01K 15/021
119/719
2011/0232585 A1 * 9/2011 Rich A01K 15/023
119/721
2013/0265165 A1 * 10/2013 So A01K 15/021
340/573.3
2014/0261233 A1 * 9/2014 So A01K 27/009
119/720

* cited by examiner

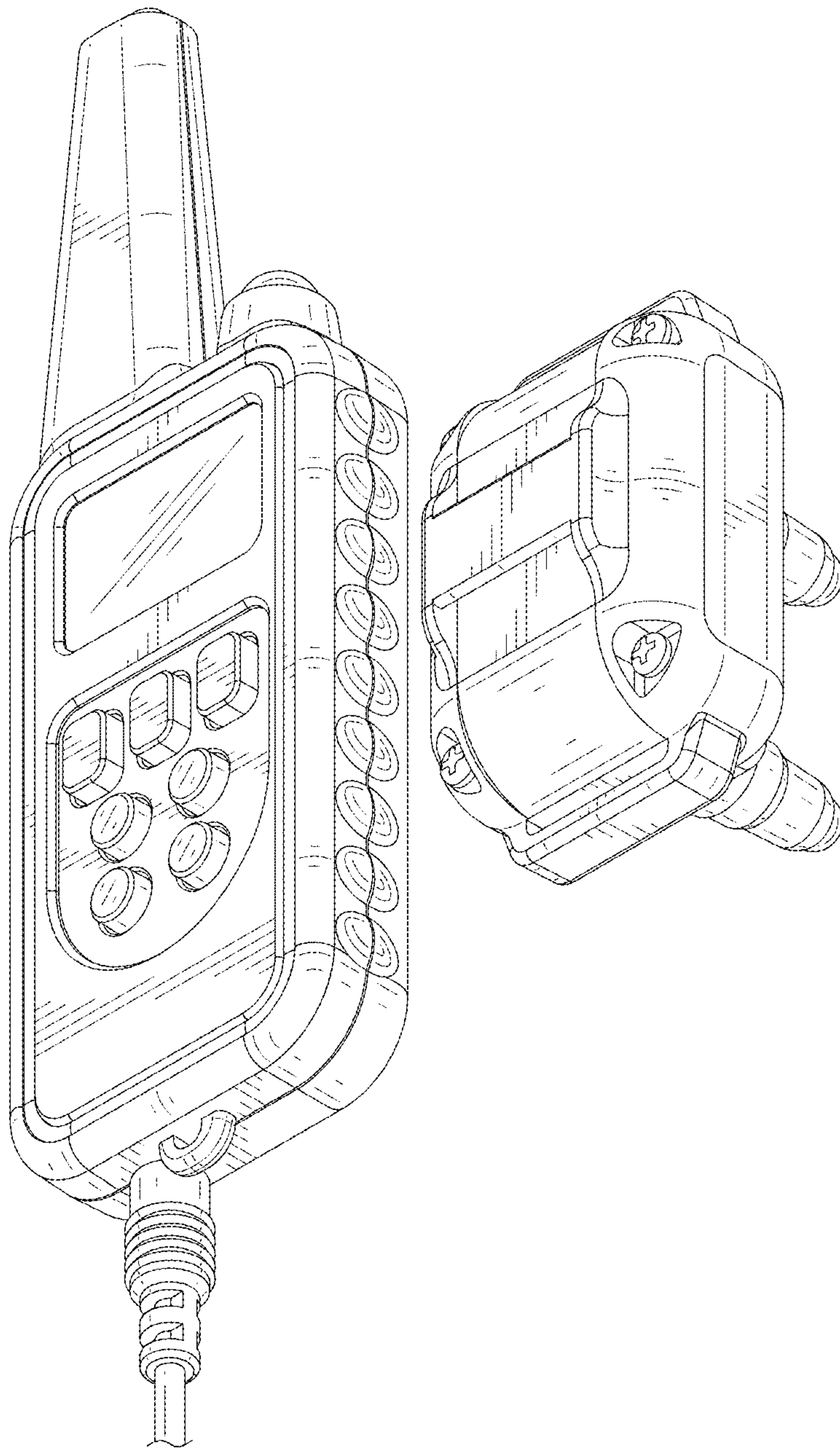


FIG.1

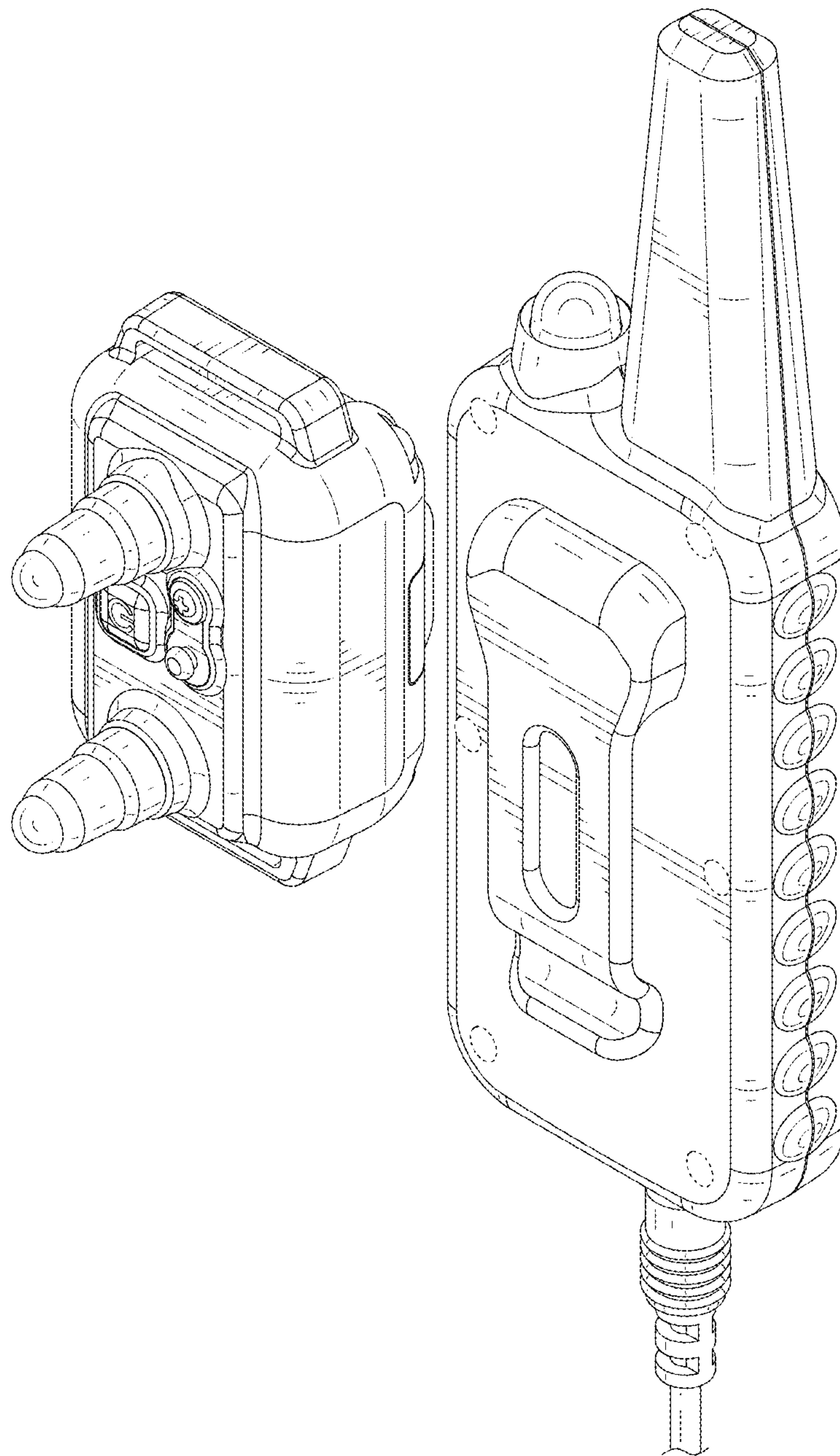


FIG.2

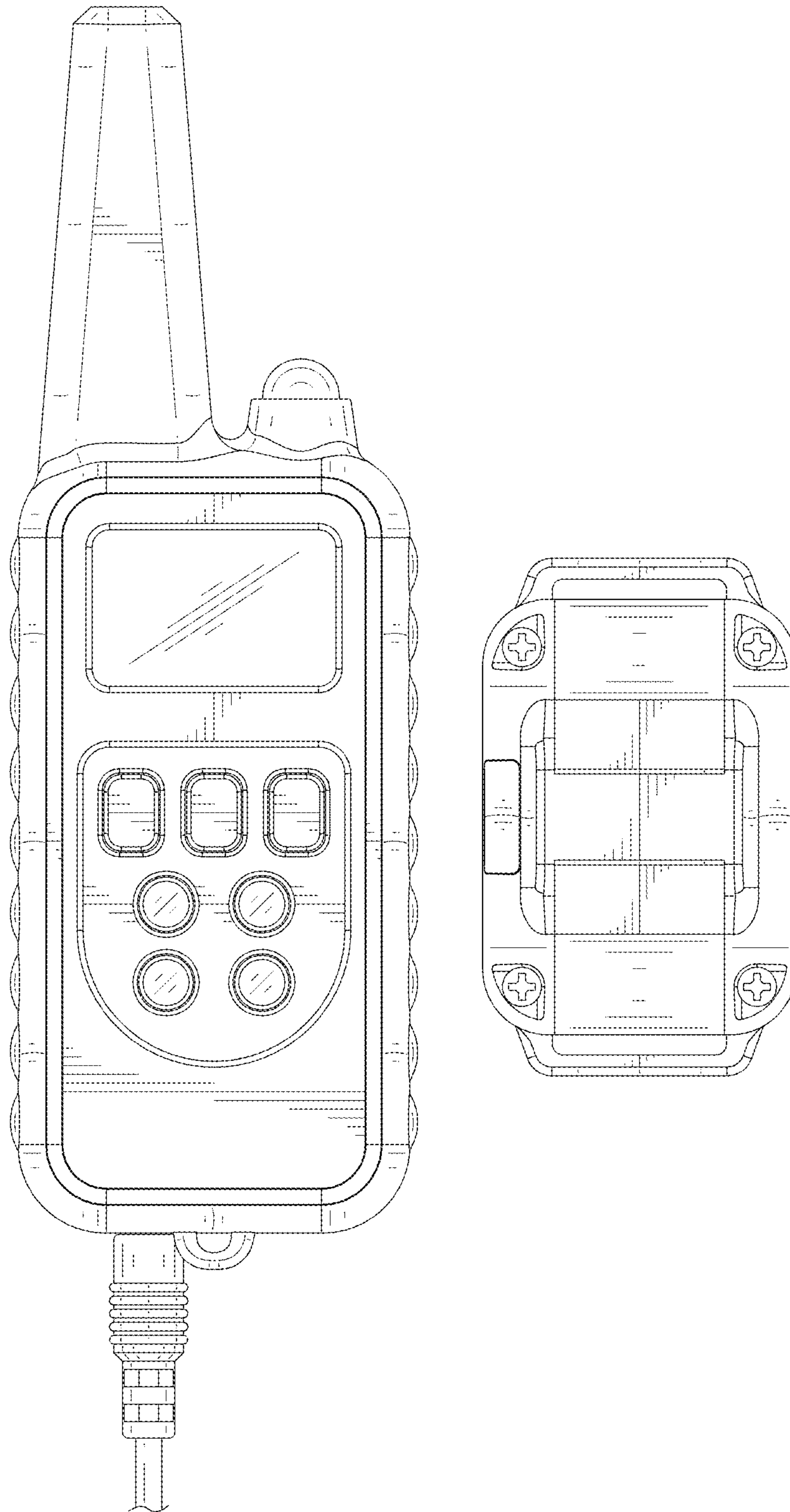


FIG.3

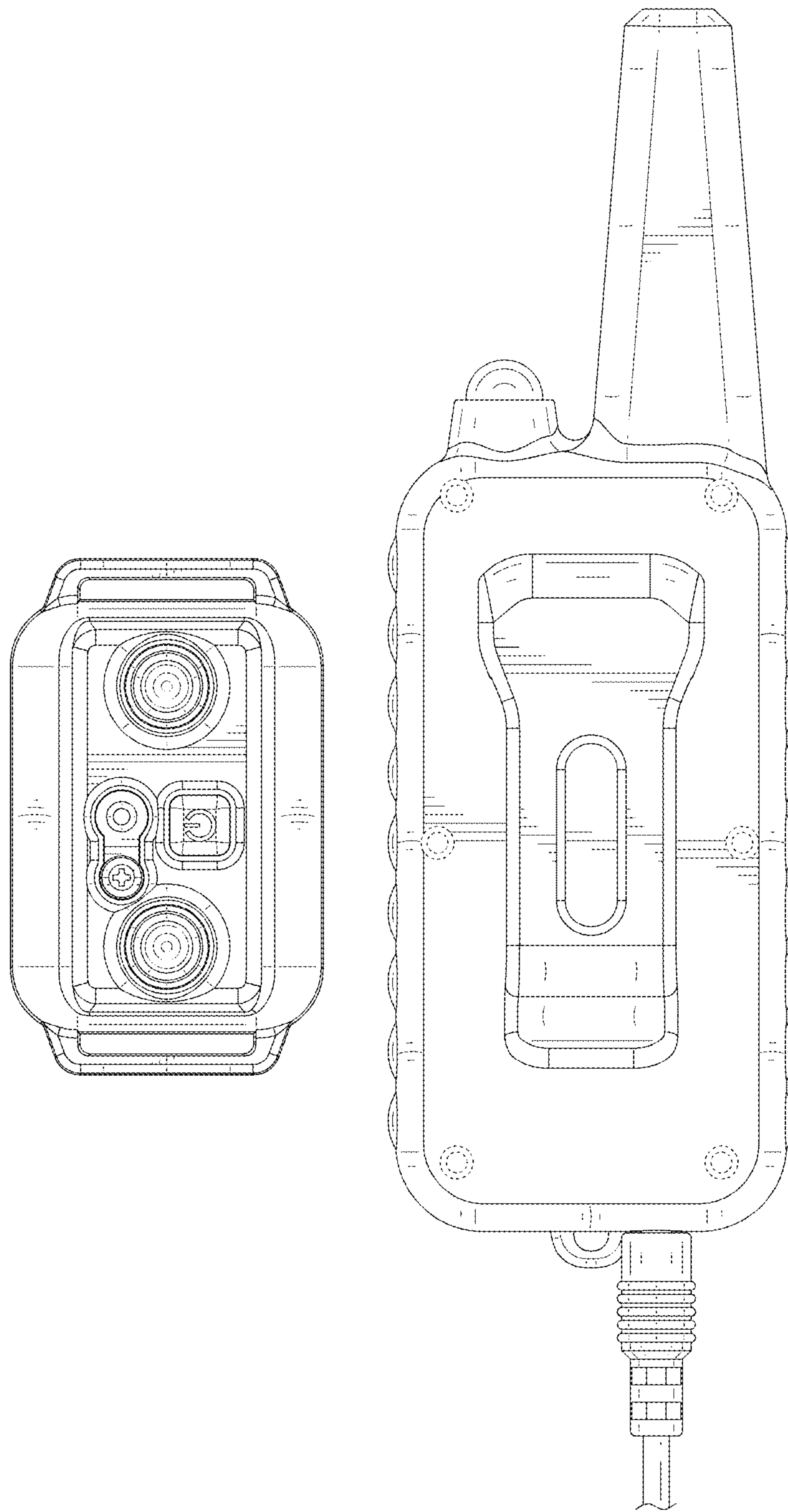


FIG.4

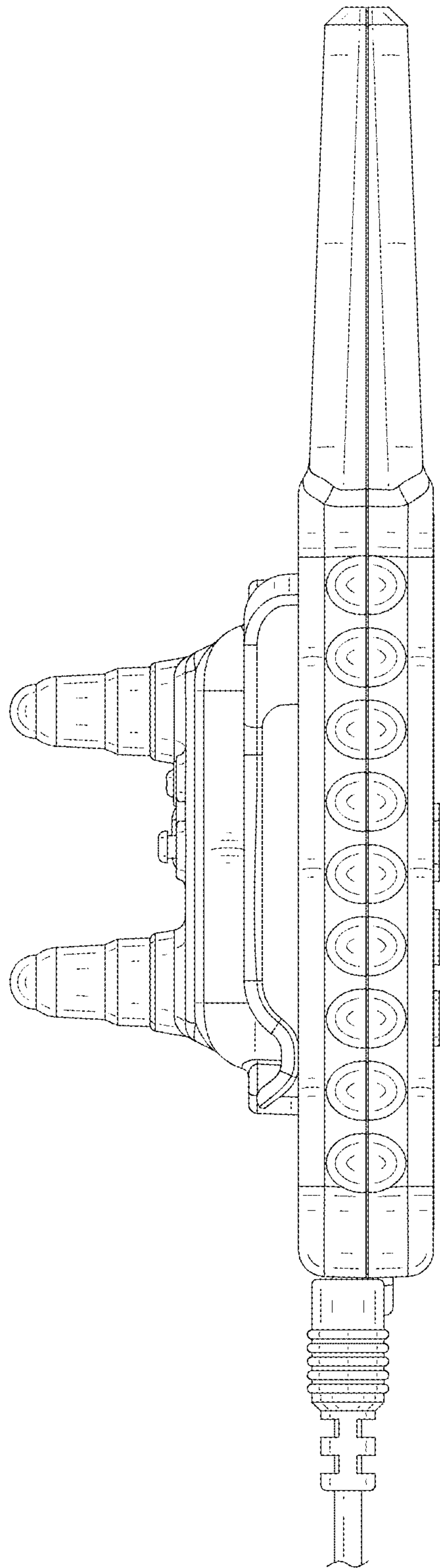


FIG.5

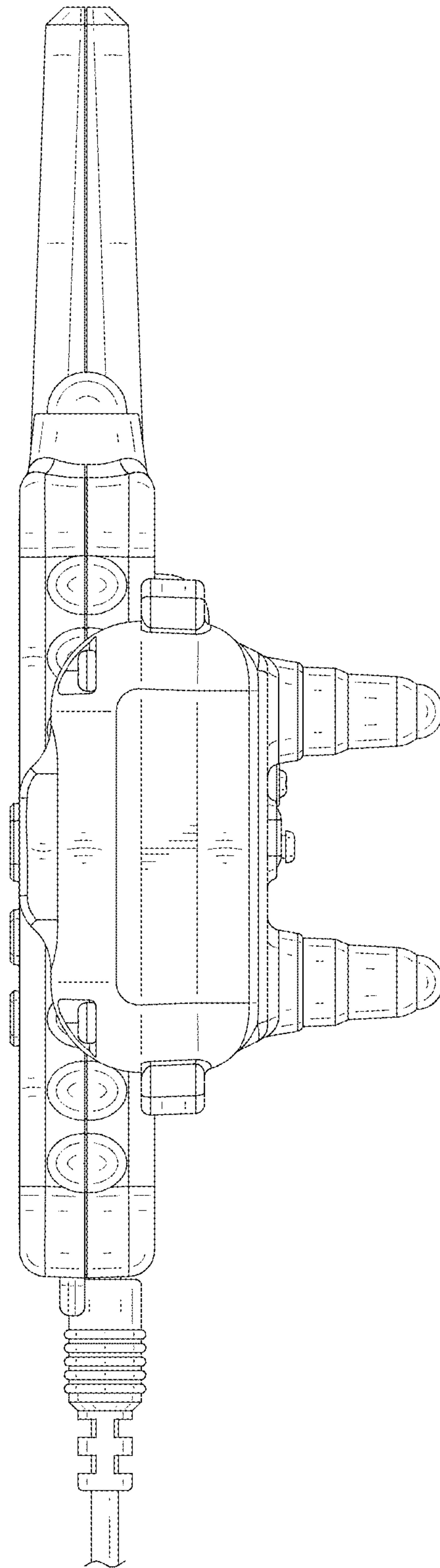


FIG.6

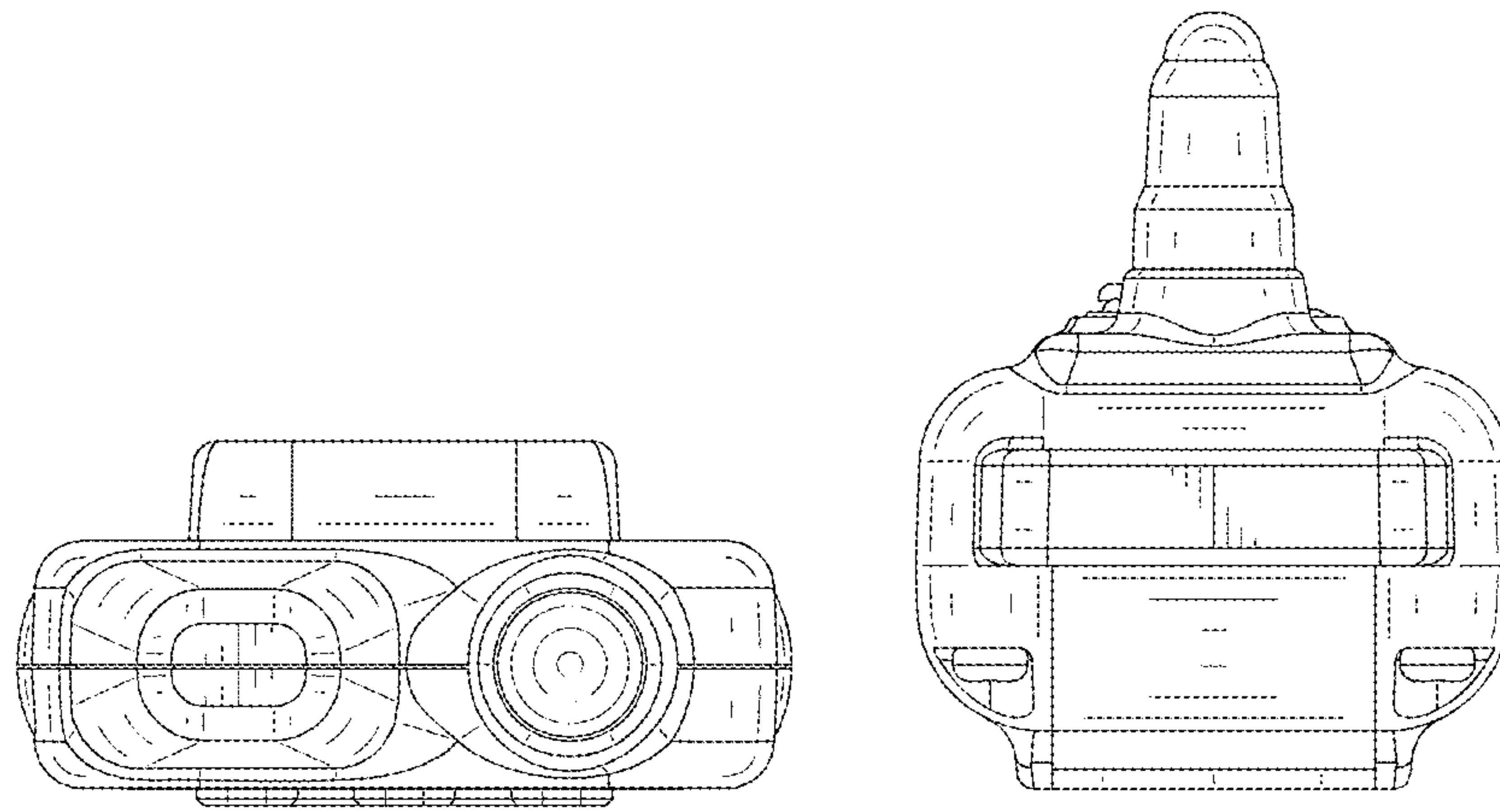


FIG.7

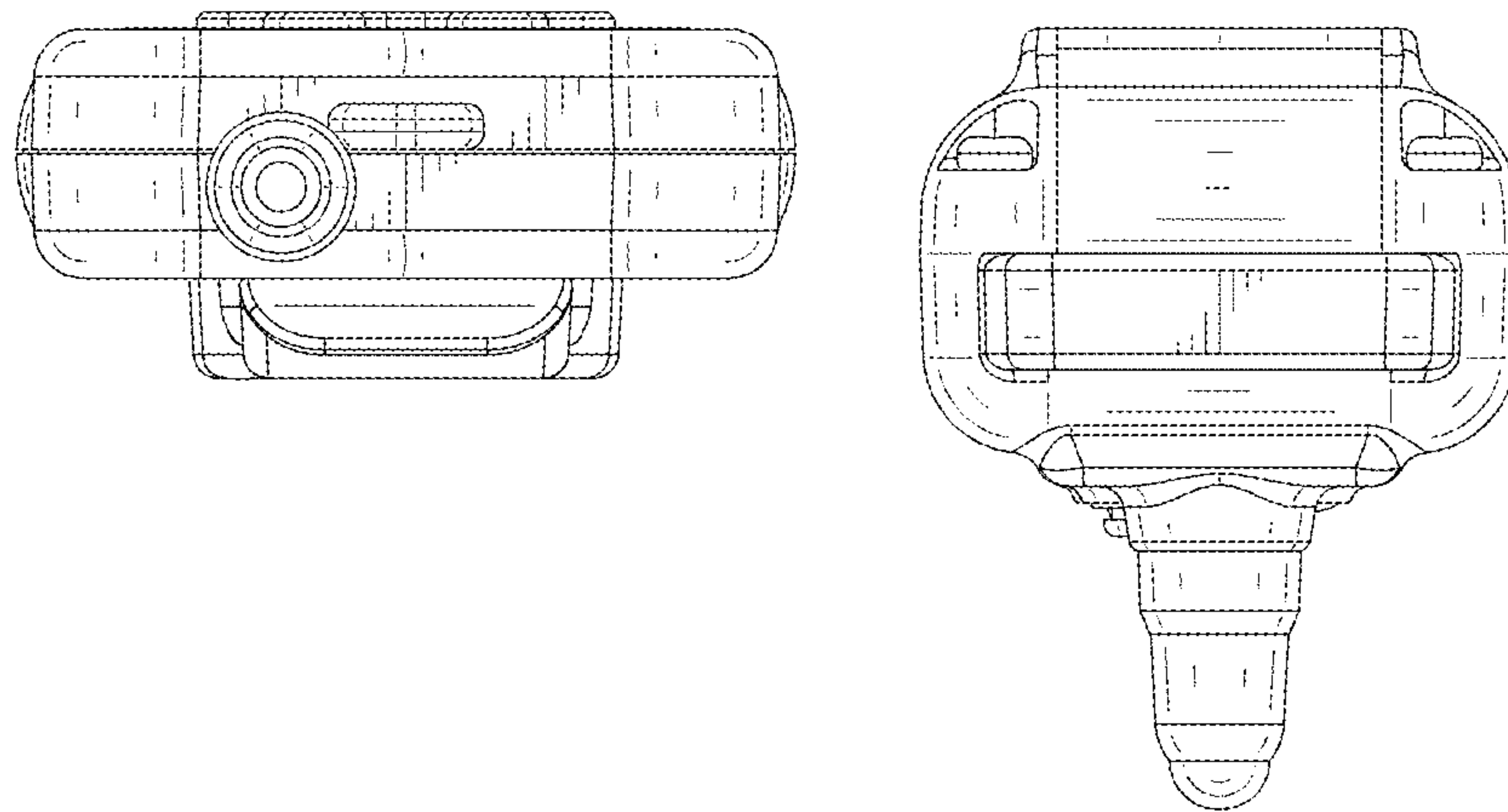


FIG.8