



US00D879389S

(12) **United States Design Patent** (10) **Patent No.:** **US D879,389 S**  
**Giesen et al.** (45) **Date of Patent:** **\*\* Mar. 24, 2020**

(54) **RETRACTABLE LEASH FOR A DOG COLLAR OR HARNESS**

(71) Applicants: **Gary W. Giesen**, San Rafael, CA (US);  
**Mary P. van Kriedt**, San Rafael, CA (US)

(72) Inventors: **Gary W. Giesen**, San Rafael, CA (US);  
**Mary P. van Kriedt**, San Rafael, CA (US)

(\*\*) Term: **15 Years**

(21) Appl. No.: **29/594,274**

(22) Filed: **Feb. 16, 2017**

(51) **LOC (12) Cl.** ..... **30-04**

(52) **U.S. Cl.**  
USPC ..... **D30/153**

(58) **Field of Classification Search**  
USPC ..... D30/144, 151, 152, 153, 154, 155, 199;  
D21/682, 683, 684, 732, 777, 840;  
D2/976; D3/215, 290, 299; 242/381.2  
CPC ..... A01K 27/004  
See application file for complete search history.

(56) **References Cited**

U.S. PATENT DOCUMENTS

D198,757 S *	7/1964	Rogers	.....	D30/153
4,977,860 A *	12/1990	Harwell	.....	A01K 27/004 119/794
D337,866 S *	7/1993	Wiens	.....	D30/152
7,150,247 B2 *	12/2006	Eulette	.....	A01K 27/004 119/798
D621,562 S *	8/2010	Marshall	.....	D30/153
D653,410 S *	1/2012	Morton	.....	D30/145
D685,144 S *	6/2013	Etheredge	.....	D30/153
D785,945 S *	5/2017	Trammell	.....	D3/318
2006/0236955 A1 *	10/2006	Lord	.....	A01K 27/004 119/794
2009/0255486 A1 *	10/2009	Thompson	.....	A01K 27/004 119/794

(Continued)

OTHER PUBLICATIONS

“LISHINU Hand Free Retractable Dog Lead”. Found online Jun. 22, 2018 at amazon.co.uk. Page dated Feb. 19, 2015. Retrieved from [https://www.amazon.co.uk/LISHINU-Hand-Free-Retractable-White/dp/B00TRZP9SC/ref=sr\\_1\\_91?s=pets-supplies&ie=UTF8&qid=1529703320&sr=1-91&keywords=hands+free.\\*](https://www.amazon.co.uk/LISHINU-Hand-Free-Retractable-White/dp/B00TRZP9SC/ref=sr_1_91?s=pets-supplies&ie=UTF8&qid=1529703320&sr=1-91&keywords=hands+free.*)

(Continued)

*Primary Examiner* — Kendra Leslie Hamilton

(74) *Attorney, Agent, or Firm* — Thomas M. Freiburger

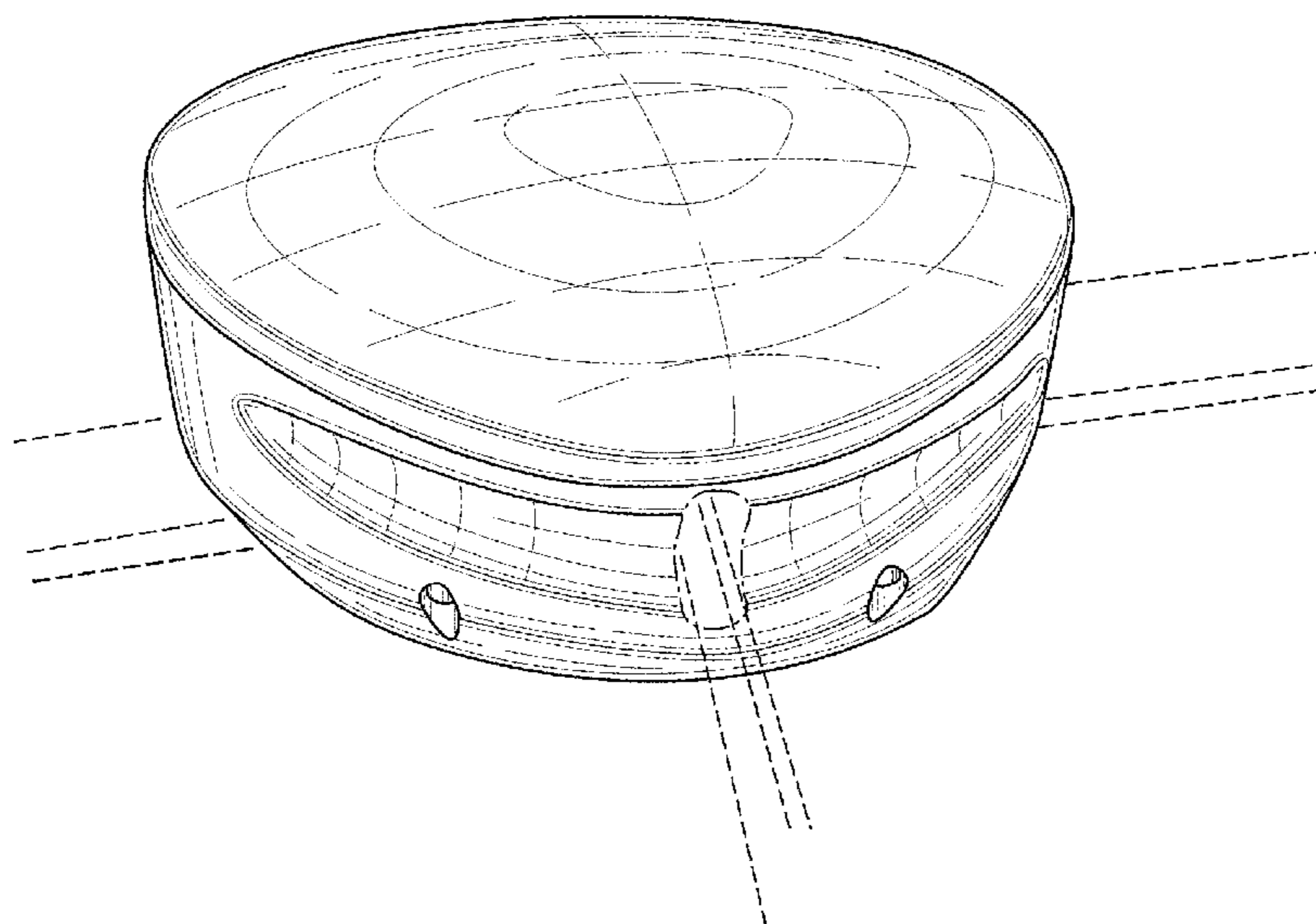
(57) **CLAIM**

The ornamental design for a retractable leash for a dog collar or harness, substantially as shown and described.

**DESCRIPTION**

FIG. 1 is a top front perspective view of a retractable leash for a dog collar or harness, showing my new design in condition of use;  
FIG. 2 is a left side view in an alternate condition of use, the right side thereof being a mirror-image;  
FIG. 3 is a front elevation view of the retractable leash for a dog collar or harness;  
FIG. 4 is a rear elevation view thereof;  
FIG. 5 is a top plan view, in an alternate condition of use; and,  
FIG. 6 is a bottom view thereof.  
In FIGS. 1, 2, 5 and 6, the even-length broken lines extending from the front aperture depict a lead that forms no part of the claimed design. In FIG. 1, the even-length broken lines beneath the claimed design depict a harness or collar and form no part of the claimed design. In FIGS. 1, 2, 3 and 6, the dash-dot-dash lines indicate boundaries of the claim. The broken lines on the retractable leash (within the aperture and on the bottom surface) depict portions of the retractable leash for a dog collar or harness that form no part of the claimed design.

**1 Claim, 3 Drawing Sheets**



(56)

**References Cited**

U.S. PATENT DOCUMENTS

2011/0036304 A1\* 2/2011 Smith ..... A01K 27/004  
119/796  
2013/0247838 A1\* 9/2013 Cromwell ..... A01K 27/001  
119/794  
2016/0270373 A1\* 9/2016 Bova ..... A01K 27/005

OTHER PUBLICATIONS

“Doddle for Dogs: Round Collar”. Found online Dec. 26, 2017 at [doddlefordogs.com](https://doddlefordogs.com). Page dated Jan. 1, 2015. Retrieved from <https://web.archive.org/web/20150101053958/http://doddlefordogs.com:80/product/doddle-collar-with-built-in-retractable-lead/>.\*

“WalkieWay Safety Collar”. Found online Dec. 26, 2017 at [amazon.com](https://www.amazon.com/WalkieWay-Safety-Collar-Medium-Regal/dp/B0055O5YKC/ref=cm_cr_ar_p_d_product_top?ie=UTF8). Page dated Jun. 25, 2011. Retrieved from [https://www.amazon.com/WalkieWay-Safety-Collar-Medium-Regal/dp/B0055O5YKC/ref=cm\\_cr\\_ar\\_p\\_d\\_product\\_top?ie=UTF8](https://www.amazon.com/WalkieWay-Safety-Collar-Medium-Regal/dp/B0055O5YKC/ref=cm_cr_ar_p_d_product_top?ie=UTF8).\*

“Petmate Translucent PalmRetractable Pet Leash”. Found online Jan. 5, 2018 at [amazon.com](https://www.amazon.com/Petmate-10075-Translucent-Retractable-Assorted/dp/B008J0NRE4). Page dated Jun. 3, 2014. Retrieved from <https://www.amazon.com/Petmate-10075-Translucent-Retractable-Assorted/dp/B008J0NRE4>.\*

\* cited by examiner

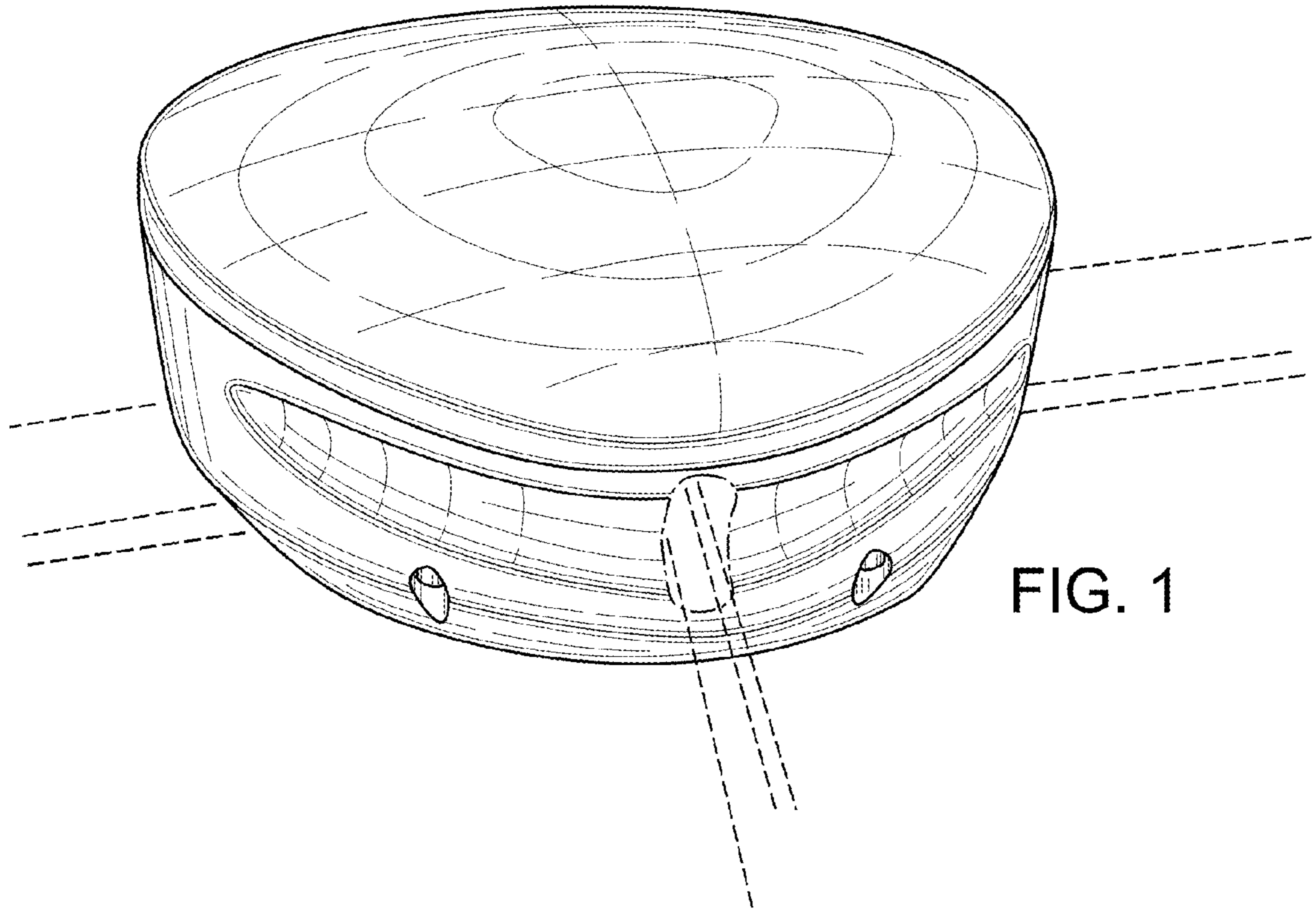


FIG. 1

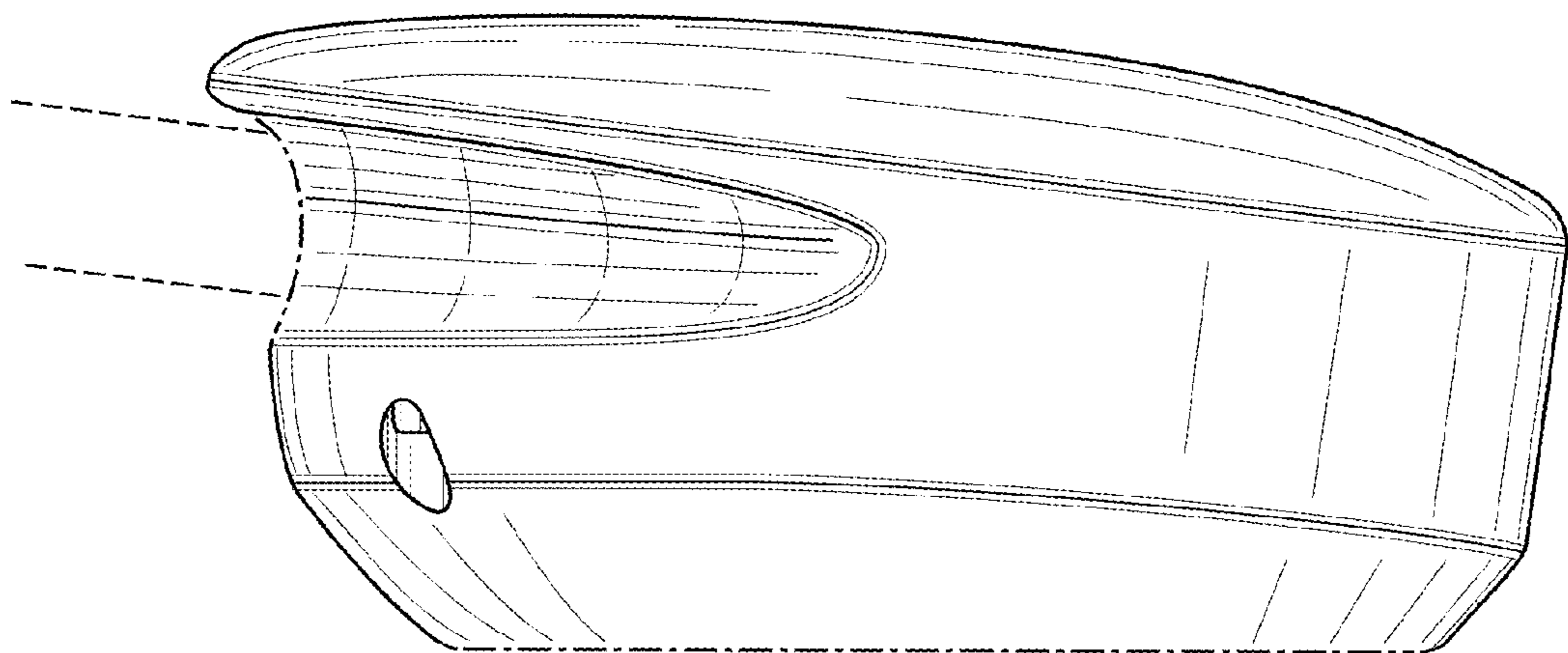


FIG. 2

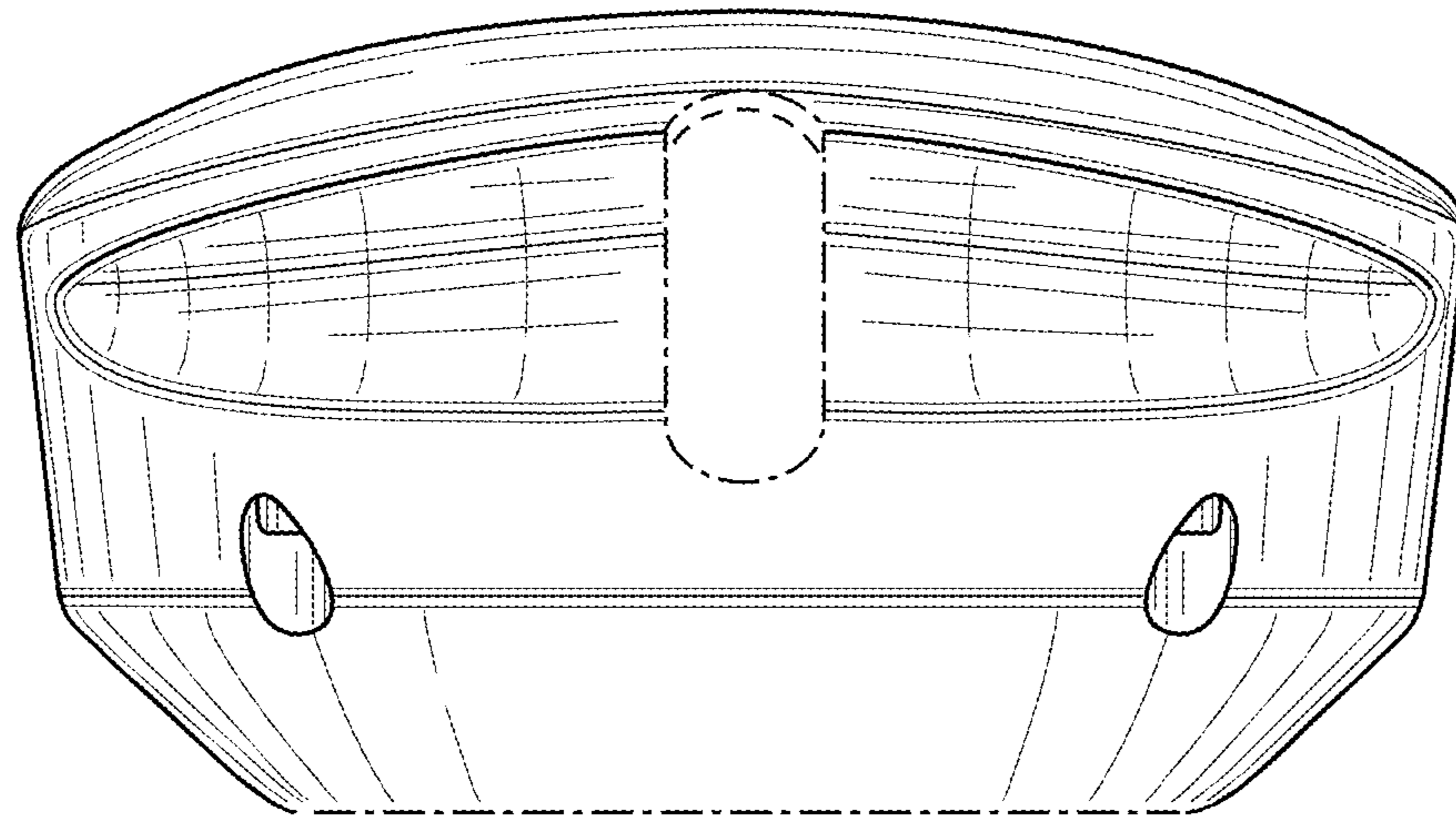


FIG. 3

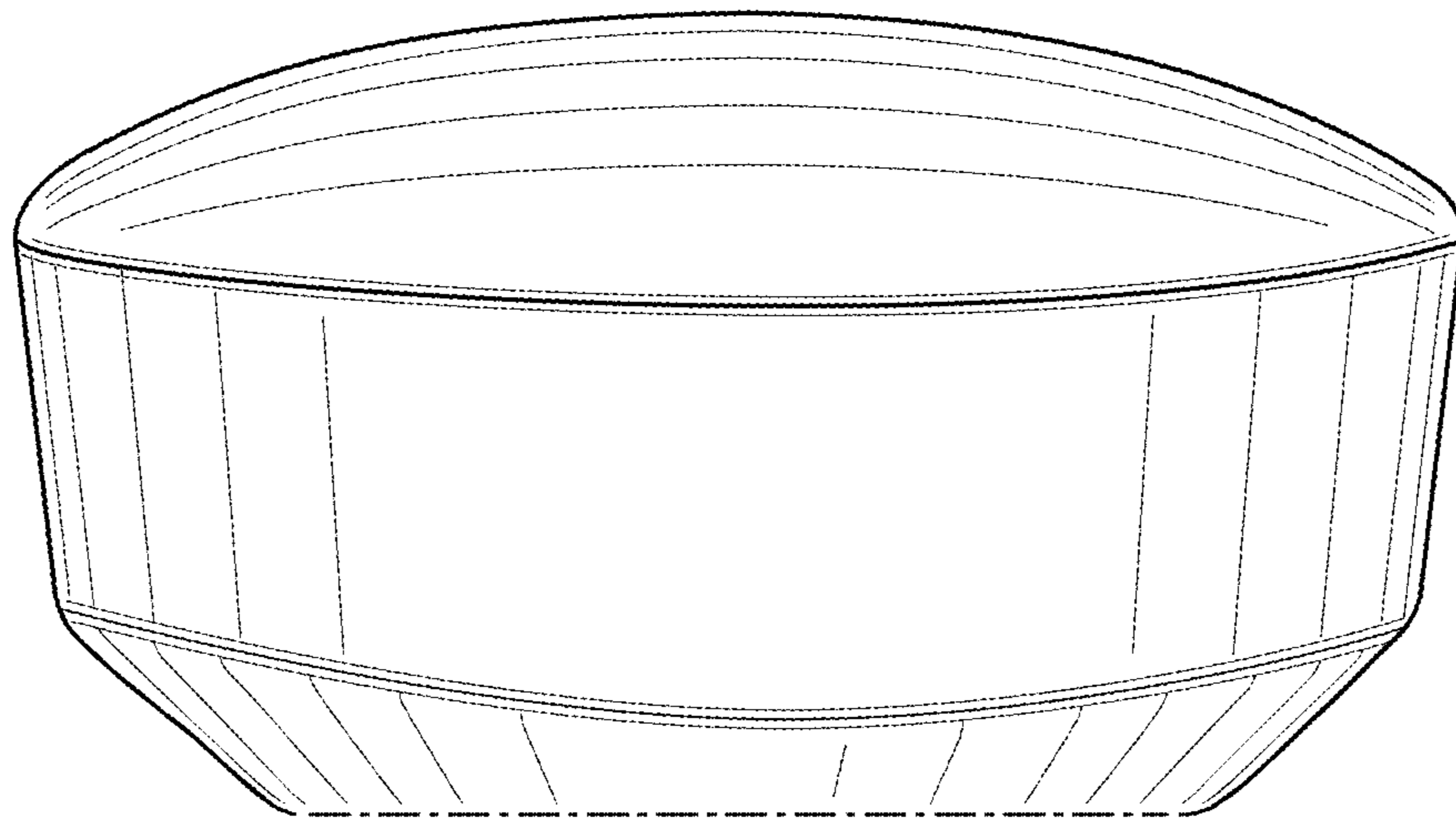


FIG. 4

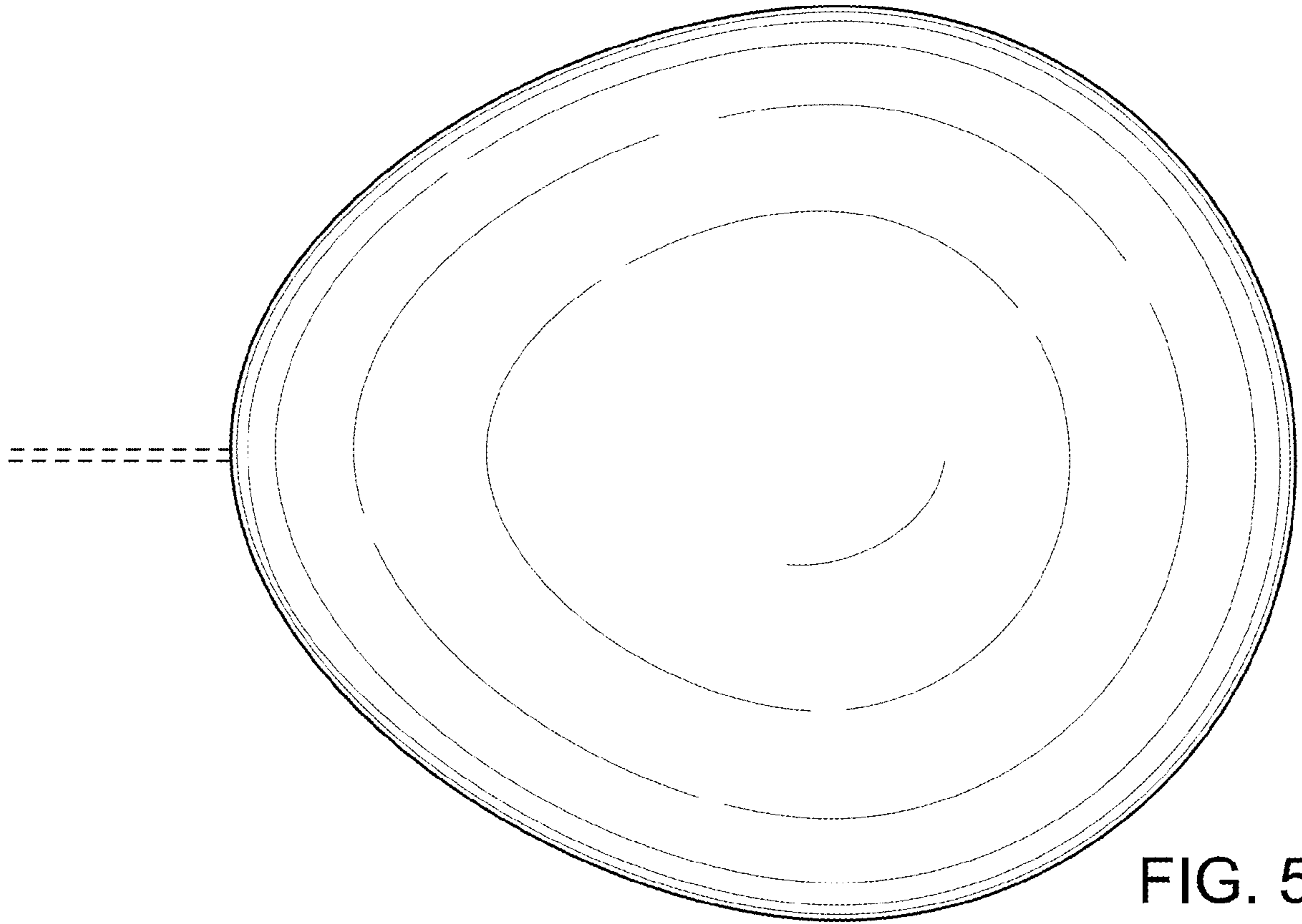


FIG. 5

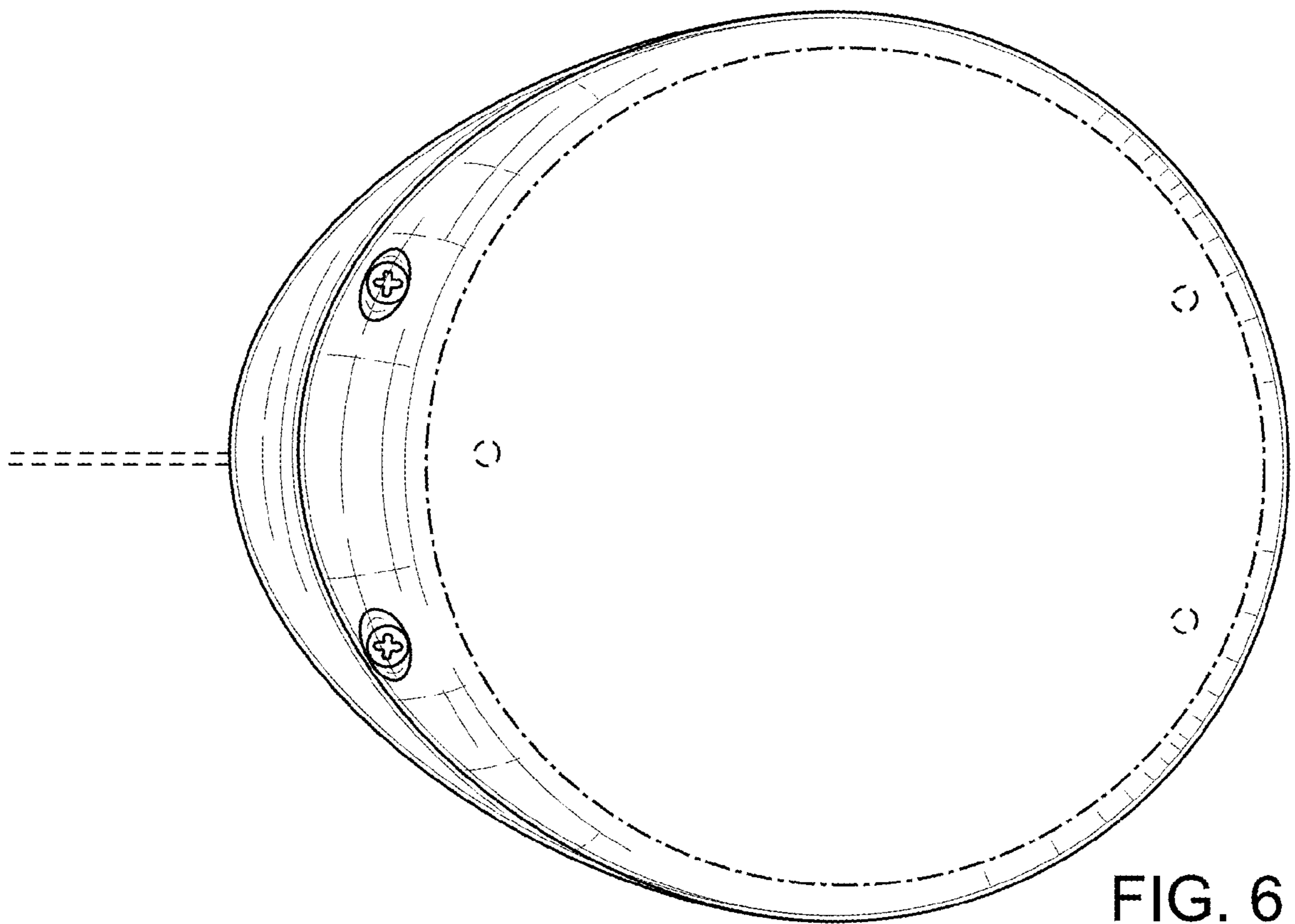


FIG. 6