



US00D879386S

(12) **United States Design Patent**
Lin et al.

(10) **Patent No.:** **US D879,386 S**

(45) **Date of Patent:** **** Mar. 24, 2020**

(54) **DESKTOP FISH TANK**

(71) Applicant: **SENSEN GROUP CO., LTD.**,
Zhoushan, Zhejiang (CN)

(72) Inventors: **Jianding Lin**, Zhejiang (CN); **Xunjun Xu**, Zhejiang (CN)

(73) Assignee: **SENSEN GROUP CO., LTD.**,
Zhoushan, Zhejiang (CN)

(**) Term: **15 Years**

(21) Appl. No.: **29/671,947**

(22) Filed: **Nov. 30, 2018**

(51) **LOC (12) Cl.** **30-02**

(52) **U.S. Cl.**
USPC **D30/101**

(58) **Field of Classification Search**
USPC D30/101–108, 110–112, 119, 199;
D11/144–145; 119/245–249, 251, 253
CPC A01K 63/003; A01K 63/00; A01K 63/006;
A01K 63/042; A01K 63/045
See application file for complete search history.

(56) **References Cited**

U.S. PATENT DOCUMENTS

D423,146 S * 4/2000 Wang D30/101
D704,382 S * 5/2014 Wu D30/101

D775,434 S * 12/2016 Xie D30/101
D795,503 S * 8/2017 Mei D30/101
D795,504 S * 8/2017 Mei D30/101

* cited by examiner

Primary Examiner — Wan Laymon

(74) *Attorney, Agent, or Firm* — Christensen, Fonder,
Dardi & Herbert PLLC

(57) **CLAIM**

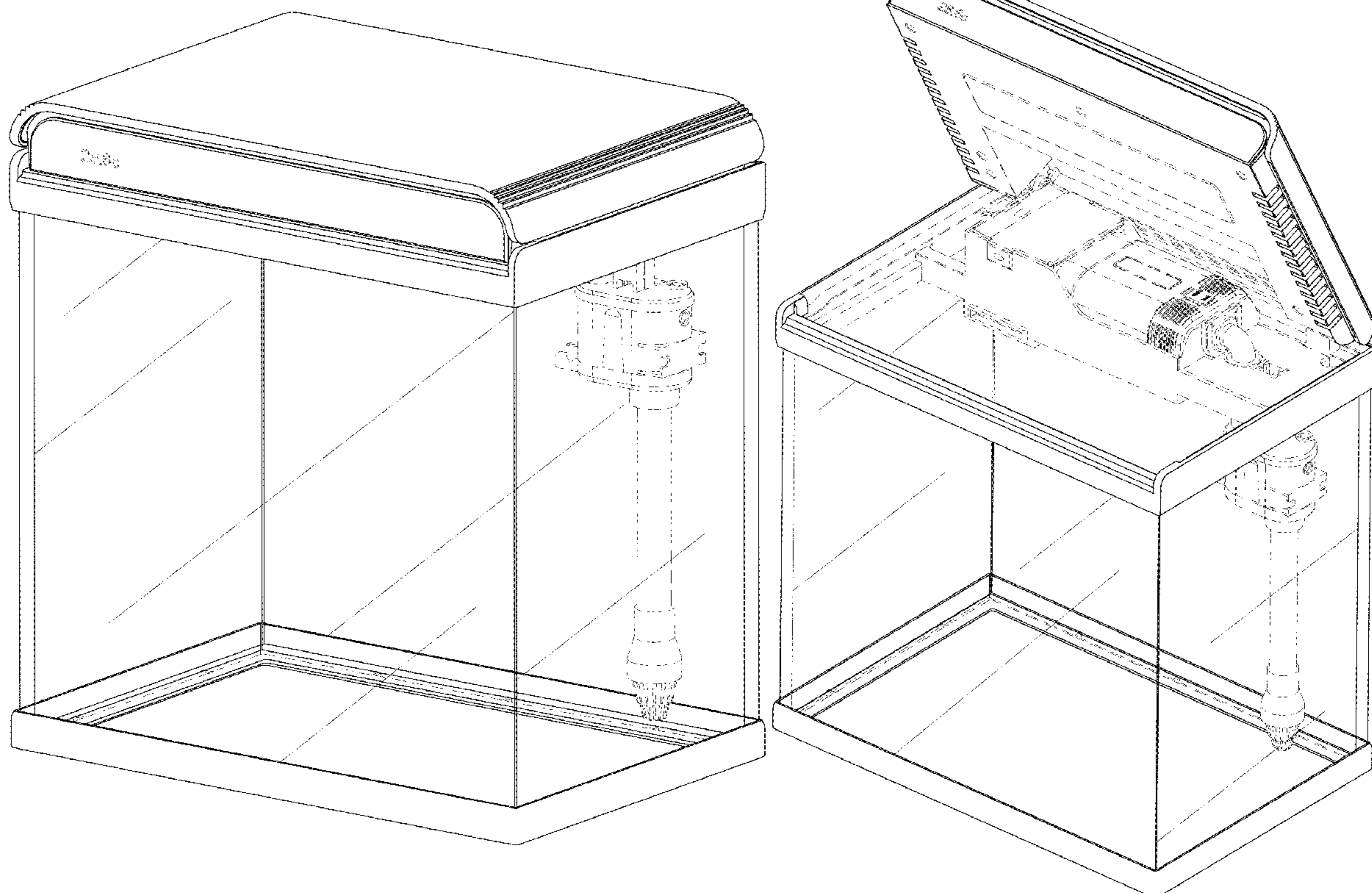
We claim the ornamental design for a desktop fish tank, as shown and described.

DESCRIPTION

FIG. 1 is a front view of a desktop fish tank.
FIG. 2 is a rear view of the desktop fish tank.
FIG. 3 is a left view of the desktop fish tank.
FIG. 4 is a right view of the desktop fish tank.
FIG. 5 is a top view of the desktop fish tank.
FIG. 6 is a bottom view of the desktop fish tank.
FIG. 7 is a perspective view of the desktop fish tank; and,
FIG. 8 is another perspective view with the lid open of a desktop fish tank.

The broken lines depicted in the drawings represent unclaimed portions of the article and form no part of the claimed design.

1 Claim, 8 Drawing Sheets



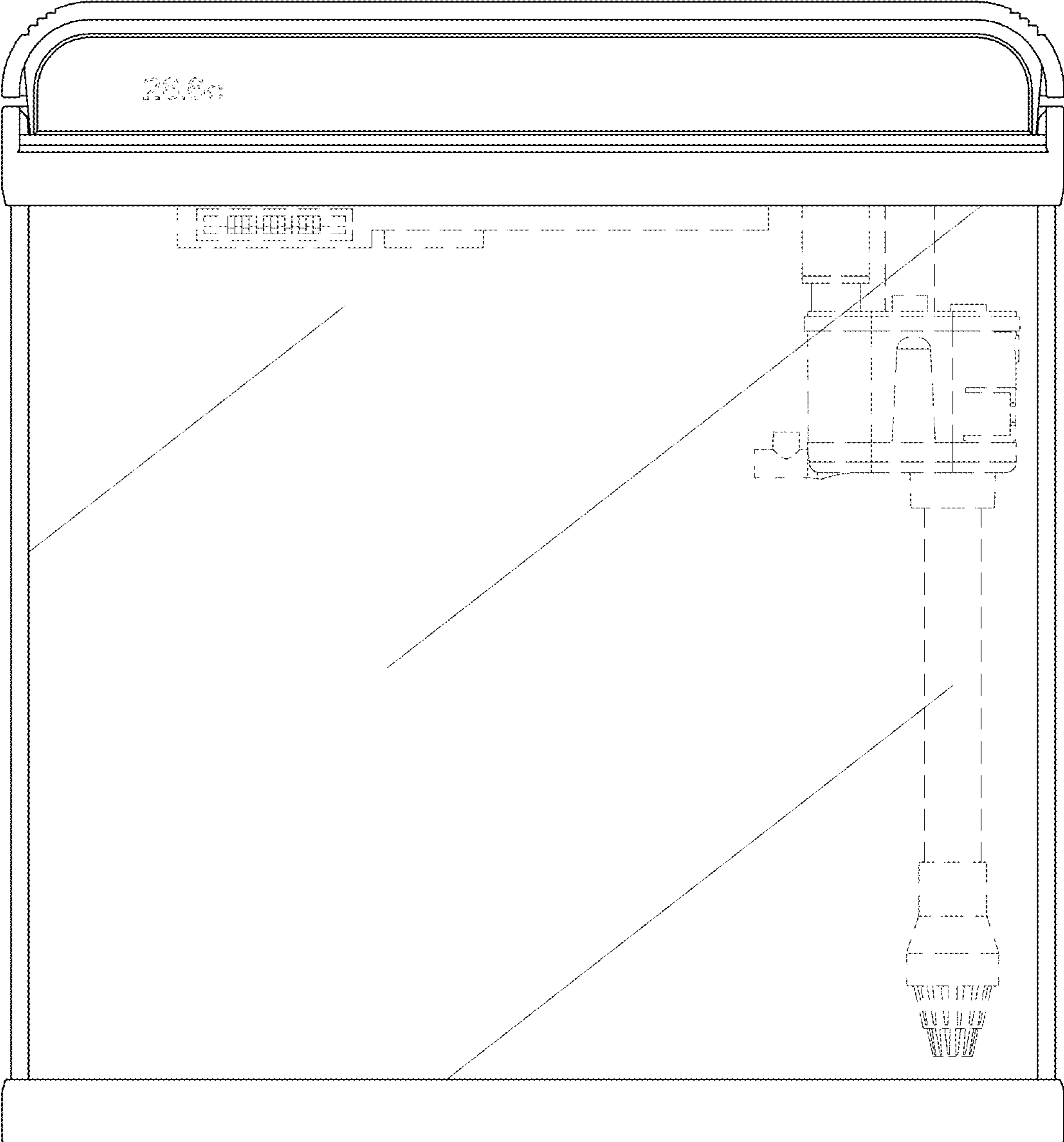


FIG. 1

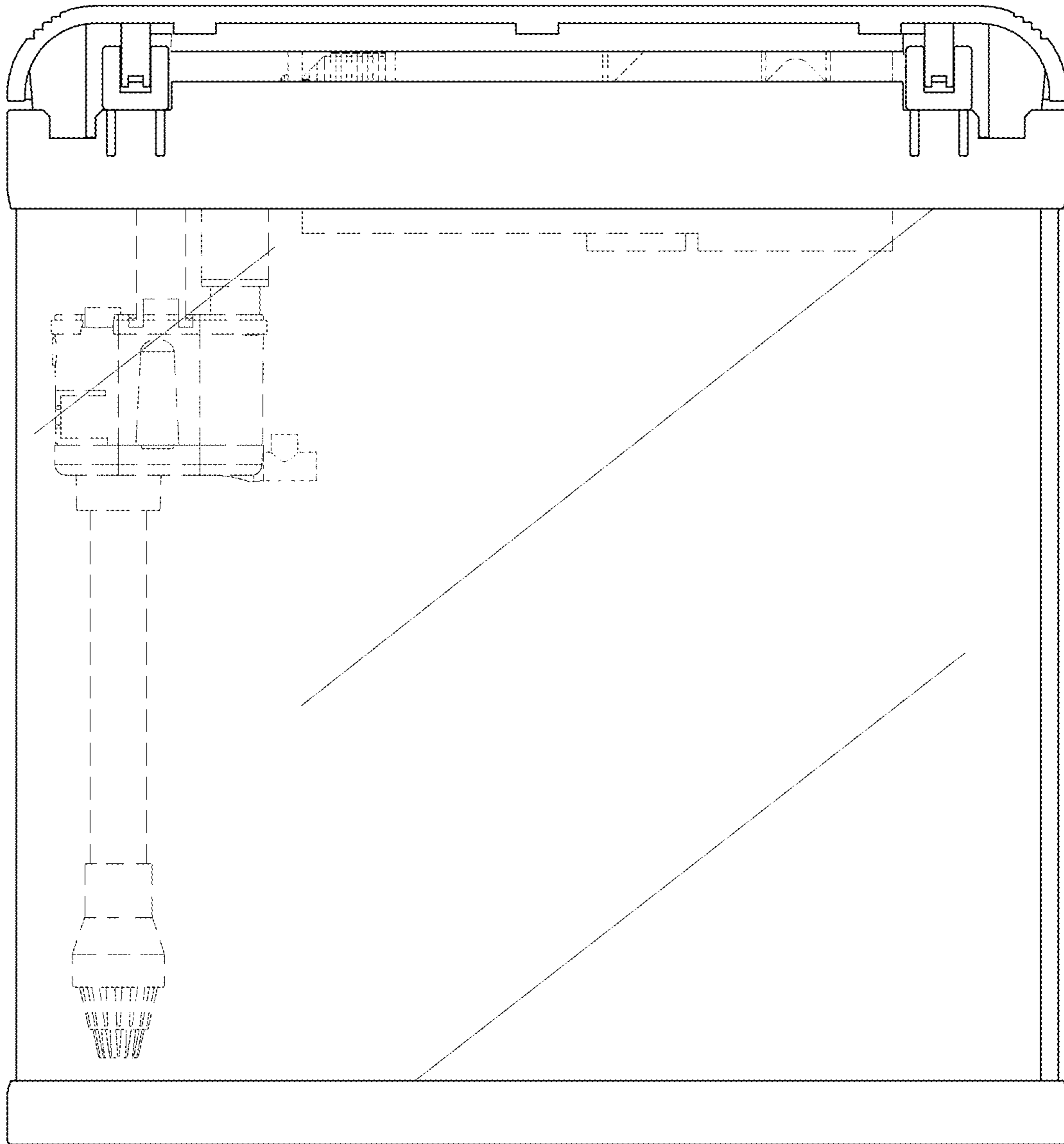


FIG. 2

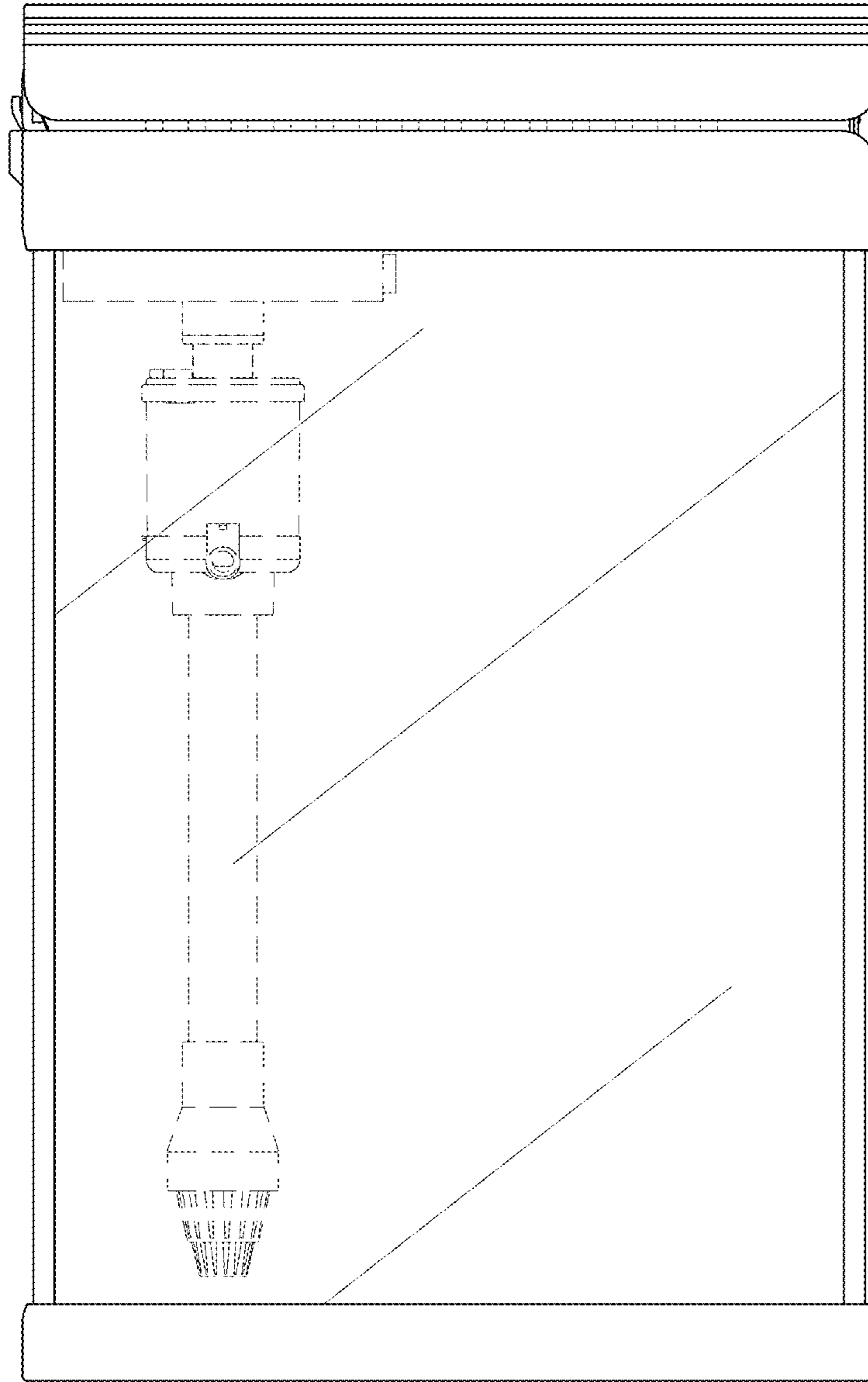


FIG. 3

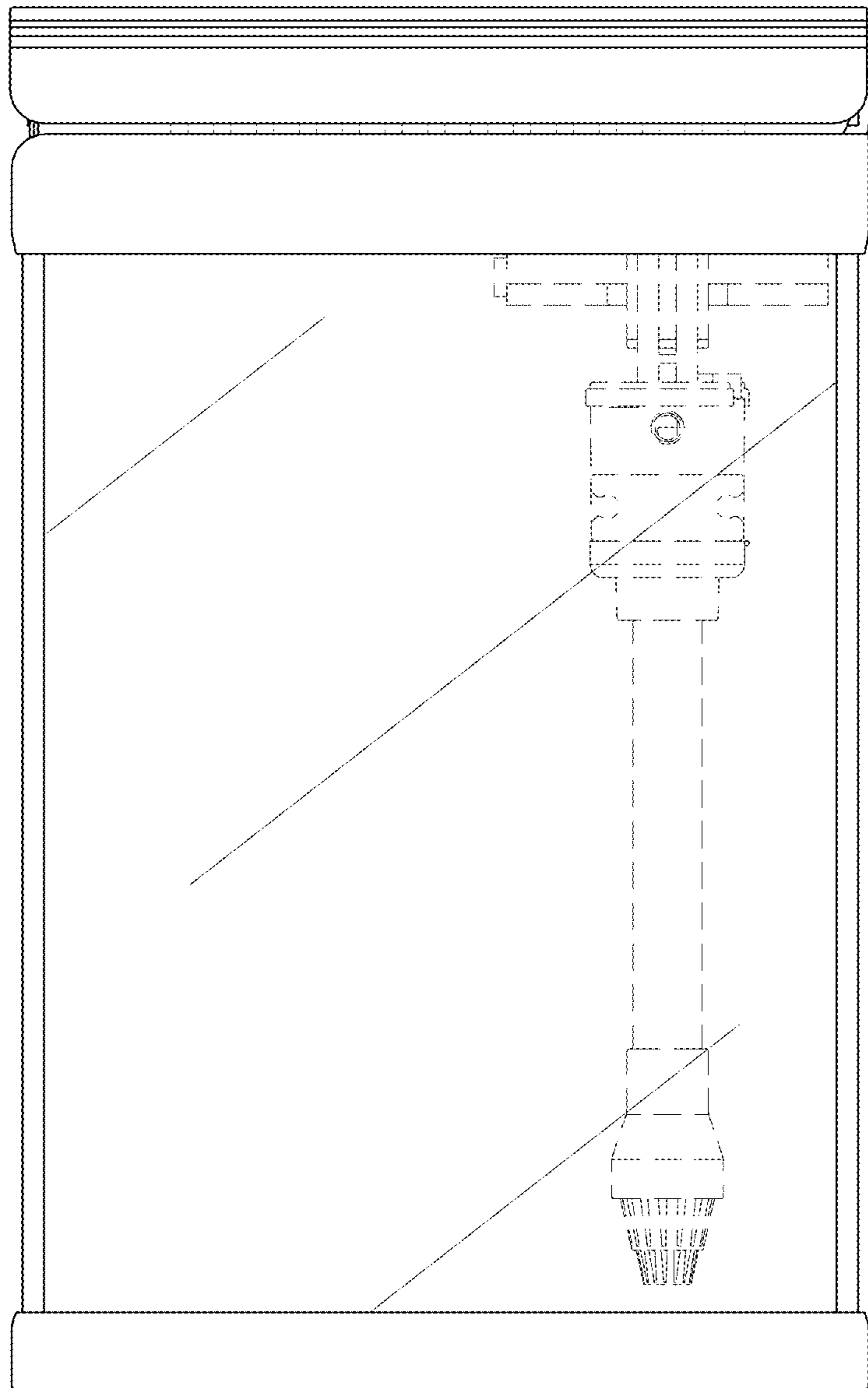


FIG. 4

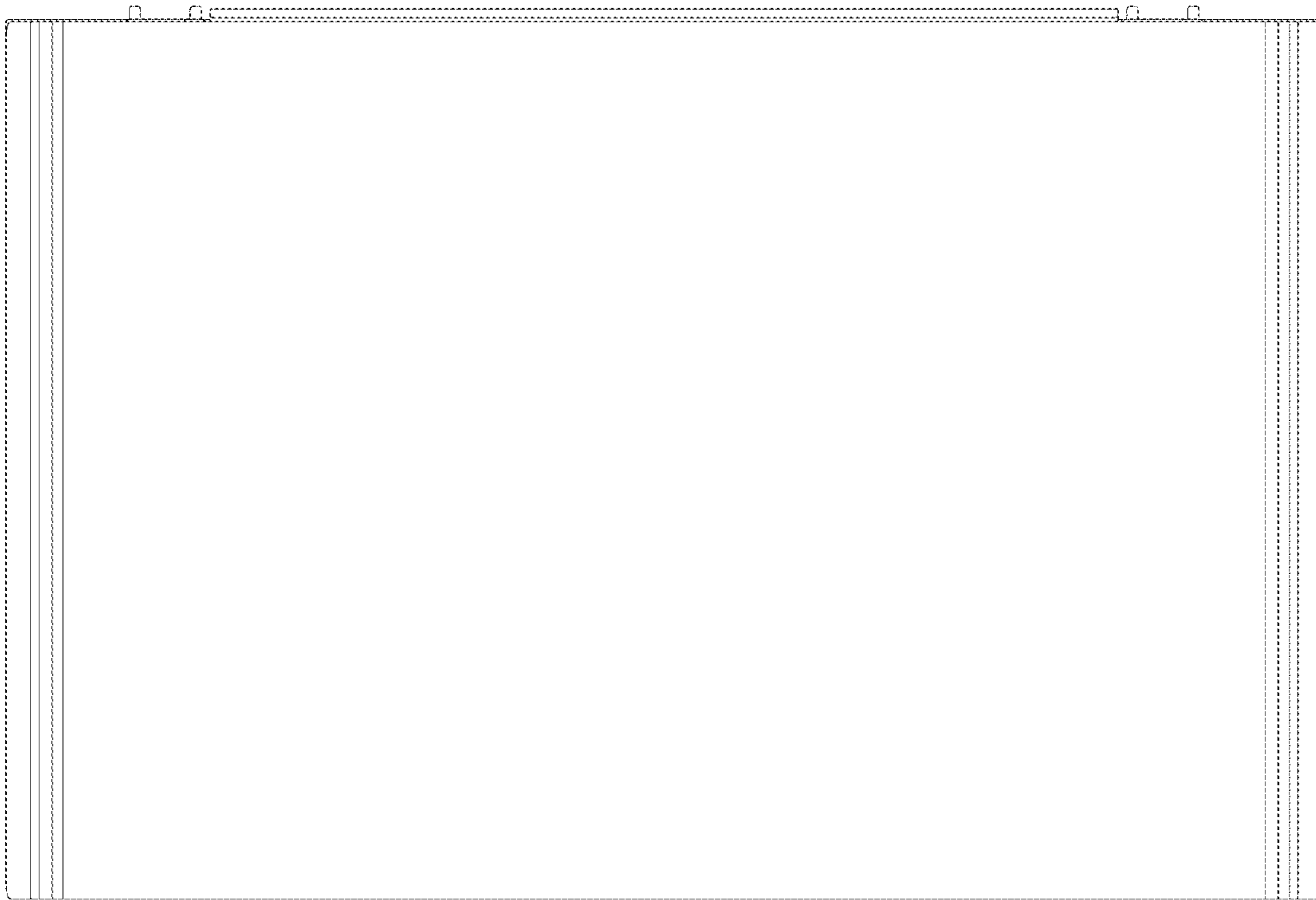


FIG. 5

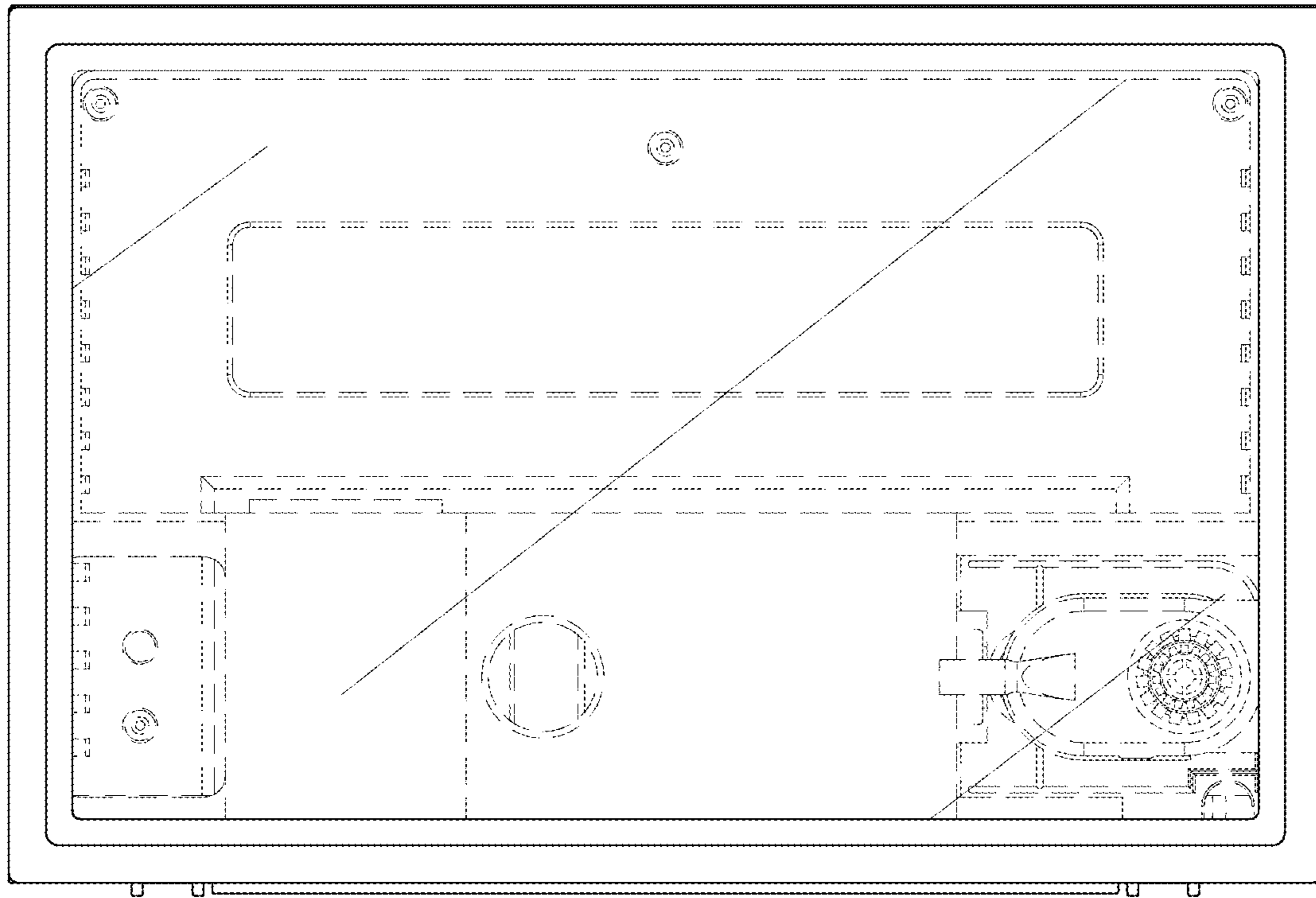


FIG. 6

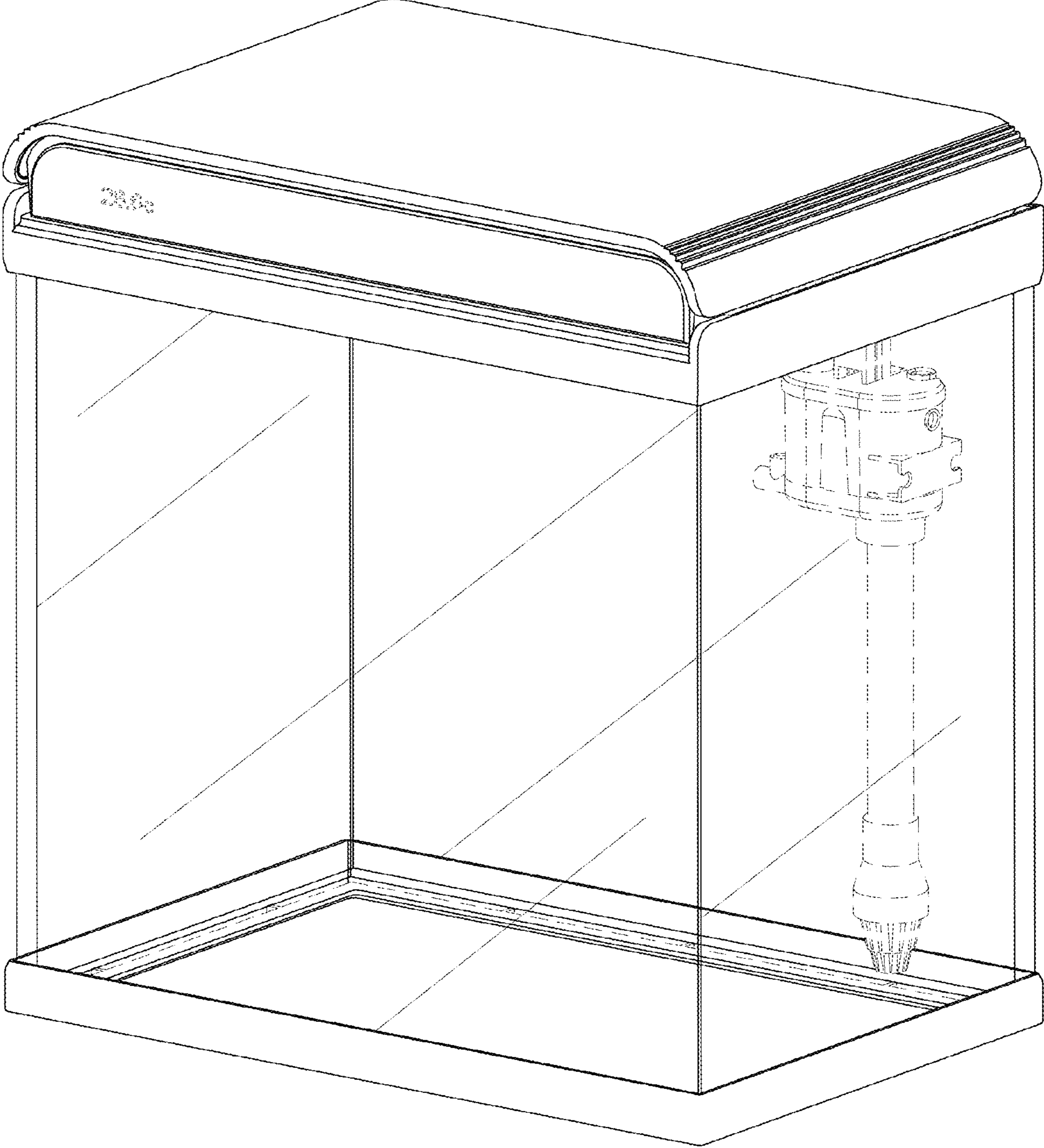


FIG. 7

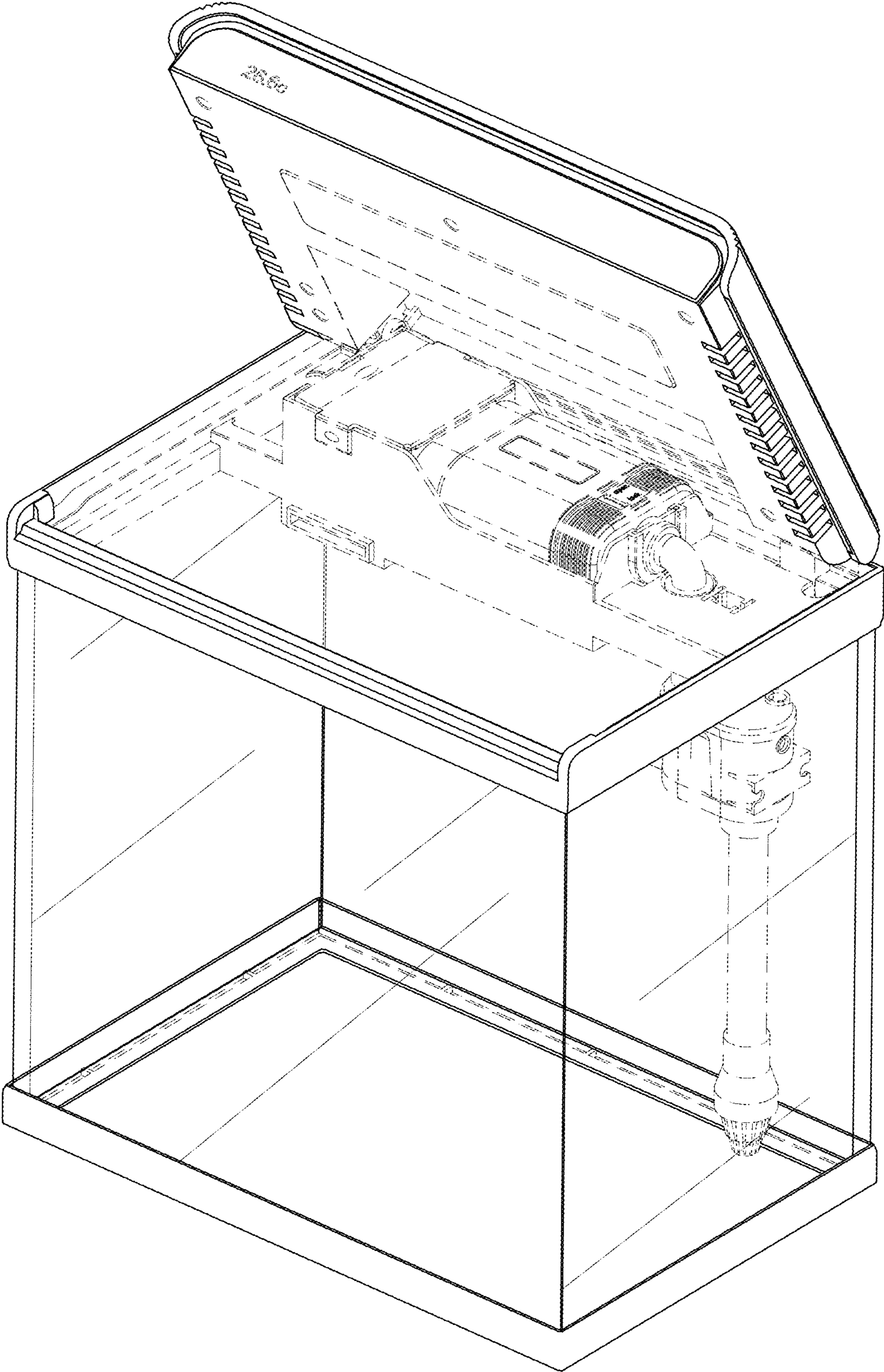


FIG. 8